



US00D922979S

(12) **United States Design Patent** (10) **Patent No.:** **US D922,979 S**
Kim et al. (45) **Date of Patent:** **** Jun. 22, 2021**

(54) **AUDIO VISUAL BOX FOR TELEVISION RECEIVER**

(56) **References Cited**

U.S. PATENT DOCUMENTS

(71) Applicant: **LG ELECTRONICS INC.**, Seoul (KR)
 (72) Inventors: **Yooseok Kim**, Seoul (KR); **Yongseok Kim**, Seoul (KR); **Minji Seo**, Seoul (KR)
 (73) Assignee: **LG ELECTRONICS INC.**, Seoul (KR)

D681,606 S *	5/2013	Nishii	D14/214
D715,257 S *	10/2014	Son	D14/214
D756,968 S *	5/2016	Huang	D14/214
D766,873 S *	9/2016	Washio	D14/214
D768,603 S *	10/2016	Kim	D14/214
D773,436 S *	12/2016	Kim	D14/214
D774,491 S *	12/2016	Kim	D14/214
D789,923 S *	6/2017	Magi	D14/341
D818,977 S *	5/2018	Kim	D14/126
D823,820 S *	7/2018	Kim	D14/125
D823,831 S *	7/2018	Kim	D14/215
D826,213 S *	8/2018	Kim	D14/210
D826,216 S *	8/2018	Schoolmeester	D14/214
D835,605 S *	12/2018	Schoolmeester	D14/214
D836,605 S *	12/2018	Kim	D14/215
D849,716 S *	5/2019	Kim	D14/215
D849,717 S *	5/2019	Kim	D14/215
D904,342 S *	12/2020	Kim	D14/214
D907,031 S *	1/2021	Fitzgerald	D14/299

(**) Term: **15 Years**
 (21) Appl. No.: **35/508,895**
 (22) Filed: **Sep. 26, 2019**

(80) **Hague Agreement Data**

Int. Filing Date: **Sep. 26, 2019**
 Int. Reg. No.: **DM/204482**
 Int. Reg. Date: **Sep. 26, 2019**
 Int. Reg. Pub. Date: **Mar. 27, 2020**

(30) **Foreign Application Priority Data**

Apr. 8, 2019 (KR) 30-2019-0016410

(51) **LOC (13) Cl.** **14-03**

(52) **U.S. Cl.**
USPC **D14/210**

(58) **Field of Classification Search**
 USPC D14/125, 126, 129, 131, 172, 188, 193,
 D14/194, 203.1, 204, 206, 209.1,
 D14/210-216, 221, 223, 224, 239, 249,
 D14/265
 CPC . B60R 11/0217; B60R 11/0223; H04R 1/023;
 H04R 1/025; H04R 1/323; H04R 5/02;
 H04R 19/02; H04R 2400/00; H04R
 2400/07; H04R 2400/11; G06F 1/16

See application file for complete search history.

* cited by examiner

Primary Examiner — Bao-Yen T Nguyen

(74) *Attorney, Agent, or Firm* — Birch, Stewart, Kolasch & Birch, LLP

(57) **CLAIM**

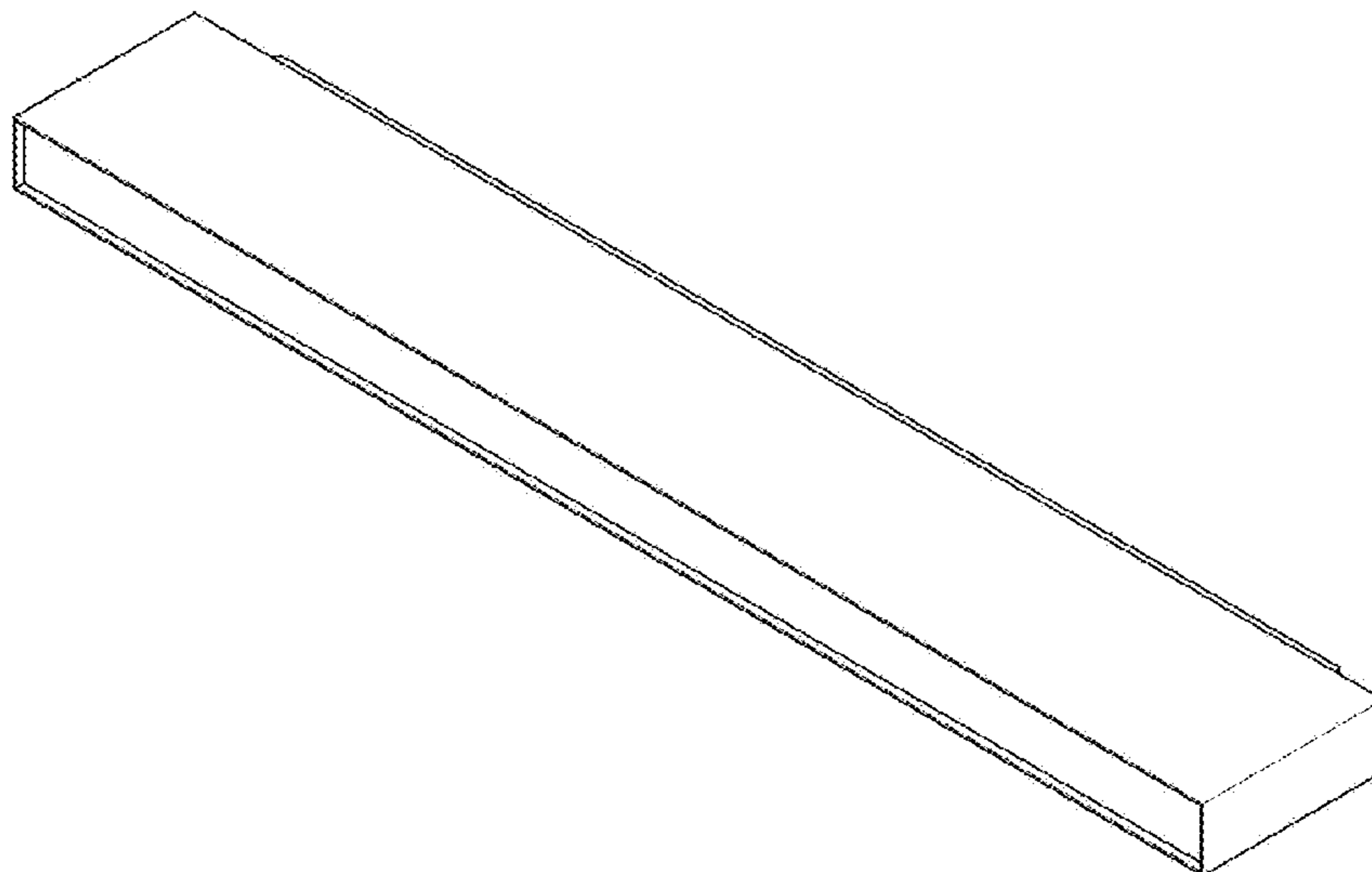
The ornamental design for an audio visual box for television receiver, as shown and described.

DESCRIPTION

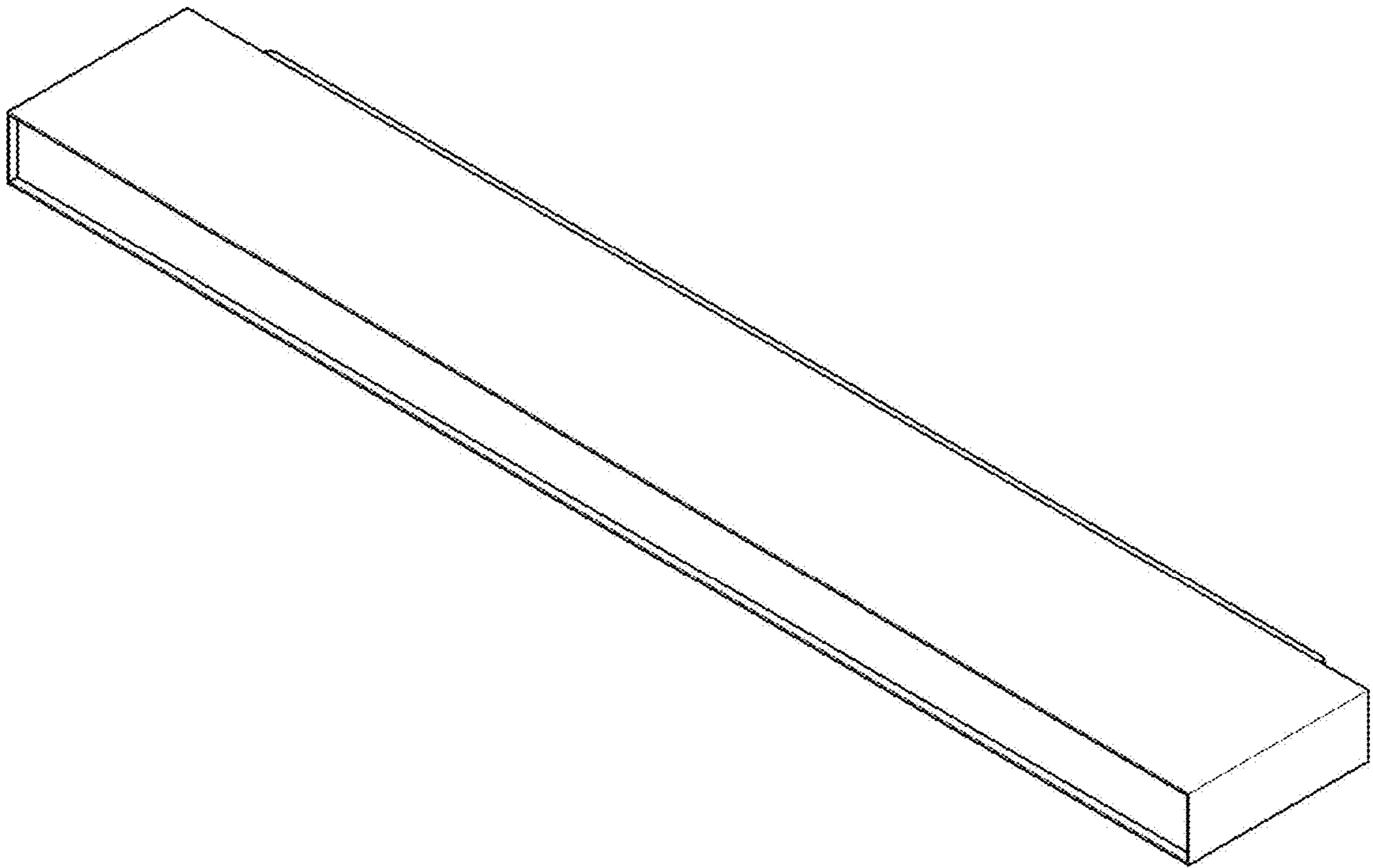
1. Audio visual box for television receiver
- 1.1 : Perspective
- 1.2 : Front
- 1.3 : Back
- 1.4 : Left
- 1.5 : Right
- 1.6 : Top
- 1.7 : Bottom

The broken lines indicate portions of the article that form no part of the claimed design.

1 Claim, 7 Drawing Sheets



1.1



1.2



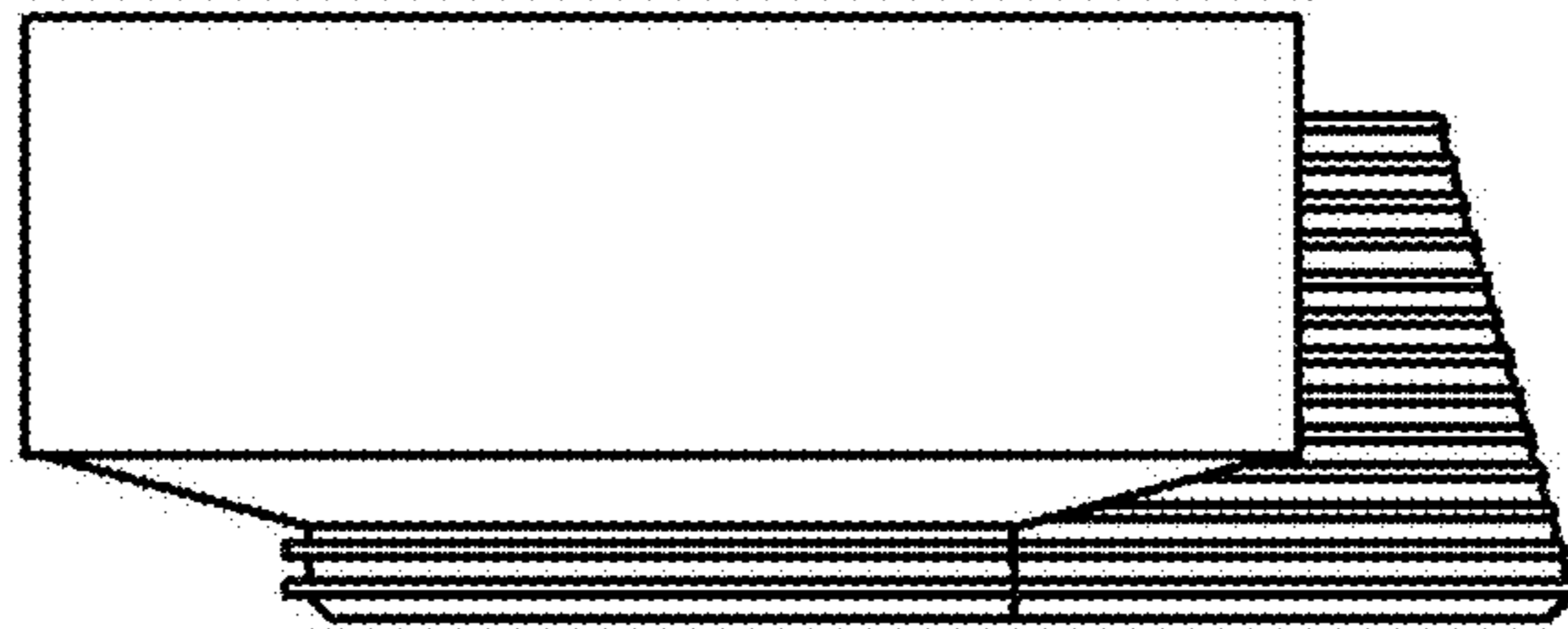
1.3



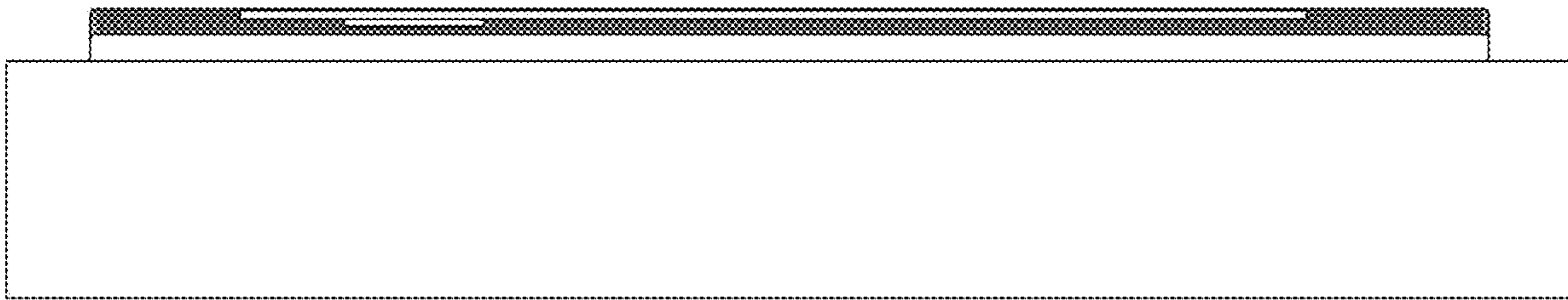
1.4



1.5



1.6



1.7

