



US00D922977S

(12) **United States Design Patent**  
**Rodriguez et al.**

(10) **Patent No.:** **US D922,977 S**  
(45) **Date of Patent:** **\*\* Jun. 22, 2021**

(54) **SPEAKERPHONE**

OTHER PUBLICATIONS

- (71) Applicant: **Polycom, Inc.**, San Jose, CA (US)
- (72) Inventors: **Hector Rodriguez**, Austin, TX (US);  
**Anthony Martin Duys**, Merrimac, MA (US);  
**Yanlin Zhu**, Austin, TX (US);  
**Nathan Yang**, Austin, TX (US);  
**Samuel Alexander Moon**, Austin, TX (US);  
**Nathan Evan Careless**, Cedar Park, TX (US)

Taiwanese Allowance and Search Report received in co-pending TW Application No. 108301459 dated January 10, 2020, 5 pages (with translation).

(Continued)

*Primary Examiner* — Marie D. Fast Horse  
(74) *Attorney, Agent, or Firm* — Blank Rome LLP

(73) Assignee: **Polycom, Inc.**, San Jose, CA (US)

(\*\*) Term: **15 Years**

(21) Appl. No.: **29/740,174**

(22) Filed: **Jul. 1, 2020**

**Related U.S. Application Data**

(62) Division of application No. 29/664,251, filed on Sep. 24, 2018, now Pat. No. Des. 893,443.

(51) **LOC (13) Cl.** ..... **14-03**

(52) **U.S. Cl.**  
USPC ..... **D14/142; D14/130**

(58) **Field of Classification Search**  
USPC ... D14/140, 140.1, 140.7, 140.8, 141.2, 142, D14/144, 147, 148, 149, 150, 151, 158,  
(Continued)

(56) **References Cited**

U.S. PATENT DOCUMENTS

- D291,567 S 8/1987 Read et al.
  - D323,657 S 2/1992 Danielson et al.
- (Continued)

FOREIGN PATENT DOCUMENTS

- CN 302672211 S 12/2013
- TW D176839 7/2016

(57) **CLAIM**

The ornamental design for a speakerphone, as shown and described.

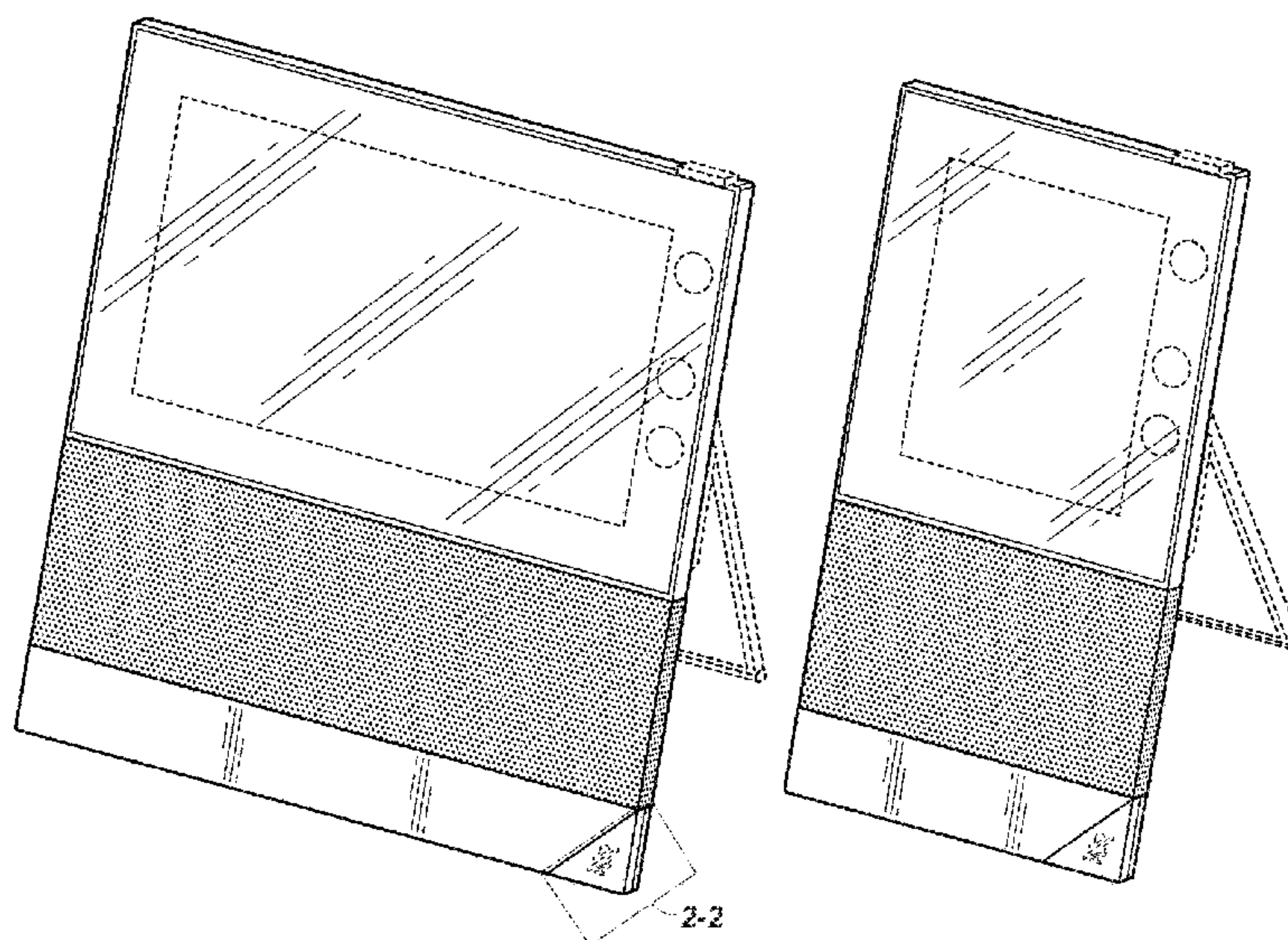
**DESCRIPTION**

FIG. 1 is a perspective view of a first embodiment of a speakerphone, showing our new design;  
 FIG. 2 is an enlarged view of the portion 2-2 indicated in FIG. 1;  
 FIG. 3 is a front elevational view of the Speakerphone of FIG. 1;  
 FIG. 4 is a rear elevational view thereof;  
 FIG. 5 is a right side elevational view thereof;  
 FIG. 6 is a left side elevational view thereof;  
 FIG. 7 is a top plan view thereof; and  
 FIG. 8 is a bottom plan view thereof;  
 FIG. 9 is a perspective view of a second embodiment of a speakerphone, showing our new design;  
 FIG. 10 is a front elevational view thereof;  
 FIG. 11 is a rear elevational view thereof;  
 FIG. 12 is a right side elevational view thereof;  
 FIG. 13 is a left side elevational view thereof;  
 FIG. 14 is a top plan view thereof; and  
 FIG. 15 is a bottom plan view thereof.

The broken lines consisting of a long dash and two short dashed depict reference to the enlargement shown in FIG. 2 and form no part of the claim.

All other broken lines depict portions of the speakerphone that form no part of the claimed design.

**1 Claim, 15 Drawing Sheets**



- (58) **Field of Classification Search**  
 USPC ..... D14/159, 188, 217, 240, 243, 247, 248,  
 D14/251, 299, 329, 462, 467, 471, 130,  
 D14/403, 338; D21/517; D24/165  
 CPC ..... H04M 1/00; H04M 1/003; H04M 1/02;  
 H04M 1/0289; H04M 1/0297; H04M  
 1/0214; H04M 1/03; H04M 1/23; H04M  
 1/253; H04M 1/2535; H04M 7/006  
 See application file for complete search history.

(56) **References Cited**

U.S. PATENT DOCUMENTS

D324,036 S	2/1992	Wakasa	
D382,265 S	8/1997	Bradley et al.	
D382,266 S	8/1997	Wakefield	
D410,229 S	5/1999	Chiocchi	
D411,987 S	7/1999	Mizusugi et al.	
D419,997 S	2/2000	Montalbo et al.	
D421,606 S	3/2000	Montalbo et al.	
D449,285 S	10/2001	Wakefield et al.	
D449,286 S	10/2001	Wakefield et al.	
D478,560 S	8/2003	Misrahi et al.	
D479,517 S	9/2003	Weidinger	
D480,059 S	9/2003	Misrahi et al.	
D552,071 S	10/2007	Park et al.	
D571,776 S	6/2008	Duys et al.	
D585,397 S	1/2009	Hwang	
D596,598 S *	7/2009	Huang	D14/130
D597,057 S *	7/2009	Sheppard	D14/142
D604,258 S	11/2009	Rinaldi et al.	
D615,066 S	5/2010	Huang et al.	
D620,464 S	7/2010	Quiros et al.	
D620,472 S	7/2010	Robinson et al.	
D629,381 S	12/2010	Verthein et al.	
D635,955 S	4/2011	Corrigan et al.	
D636,769 S	4/2011	Wood et al.	

D646,258 S *	10/2011	Van Der Flier	D14/142
D653,646 S	2/2012	Hovdal	
D654,074 S	2/2012	Wood et al.	
D657,773 S	4/2012	Corsini et al.	
D658,616 S	5/2012	Van Der Flier et al.	
D658,627 S	5/2012	Katori	
D668,901 S	10/2012	Jones et al.	
D675,196 S *	1/2013	Maddern	D14/240
D675,592 S	2/2013	Fuxen	
D686,184 S	7/2013	Takahata et al.	
D714,258 S	9/2014	Montague et al.	
D725,623 S	3/2015	Hartmann et al.	
D744,464 S	12/2015	Snyder et al.	
D757,677 S	5/2016	Hutt et al.	
D760,201 S	6/2016	Tompkin et al.	
D763,219 S	8/2016	Engelke et al.	
D784,283 S	4/2017	Snyder et al.	
D794,596 S	8/2017	Holm et al.	
D893,443 S *	8/2020	Rodriguez	D14/150

OTHER PUBLICATIONS

Notice of Allowance-Search Report received in copending Taiwanese DIV Application No. 108307792 dated Apr. 7, 2020, 5 pages (with translation).  
 Notice of Allowance-Search Report received in copending Taiwanese DIV Application No. 108307793 dated Apr. 7, 2020, 5 pages (with translation).  
 Notice of Allowance-Search Report received in copending Taiwanese DIV Application No. 108307794 dated Apr. 8, 2020, 5 pages (with translation).  
 Tehrani, R.; "Grandstream GXV3175 a Solid IP Multimedia Value;" Communications and Technology Blog; posted Dec. 13, 2010 [retrieved on Jun. 28, 2018] <http://blog.tmcnet.com/blog/rich-tehrani/ip-communications/grandstream-gvx3175-a-solid-ip-multimedia-value.html>.

\* cited by examiner



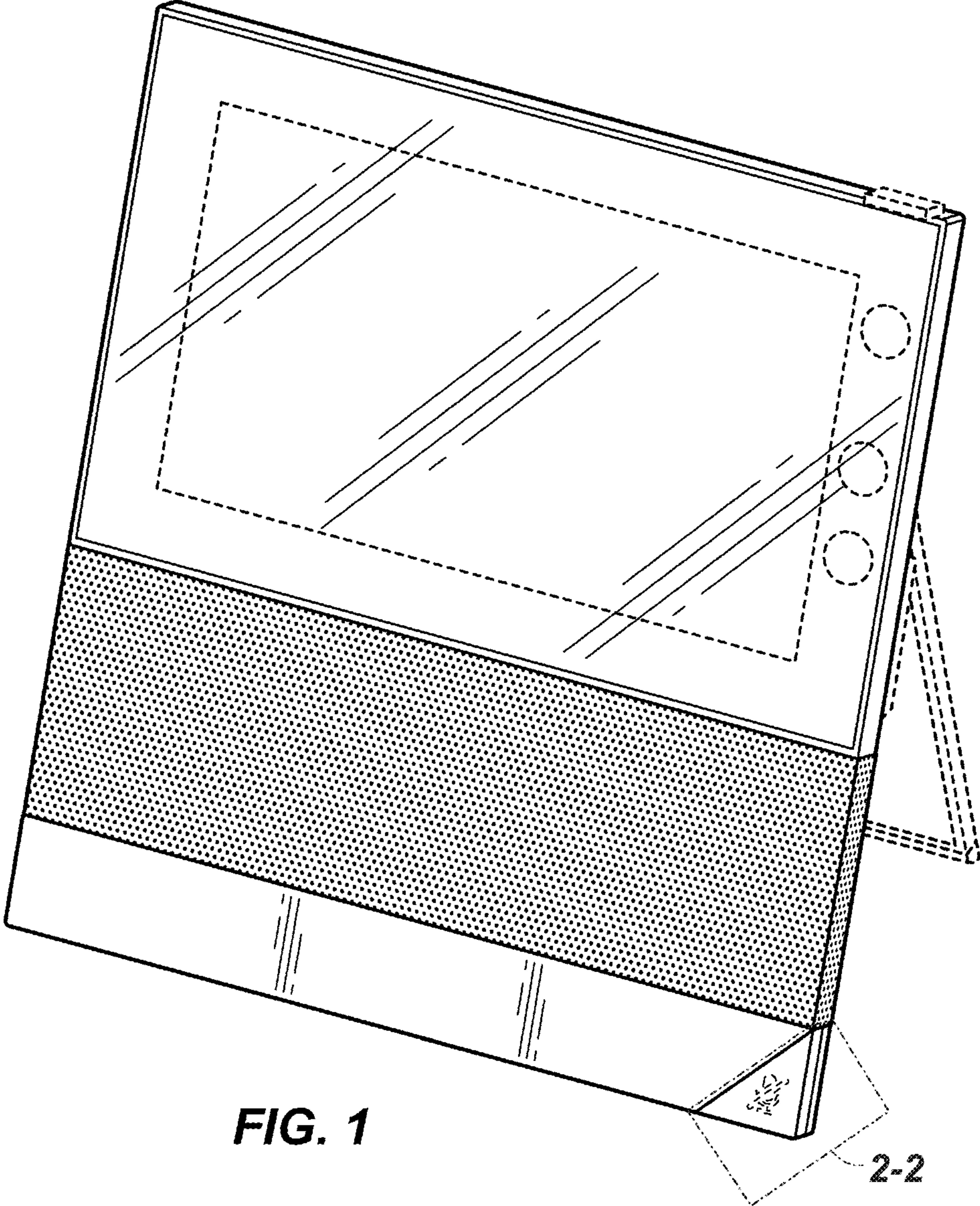
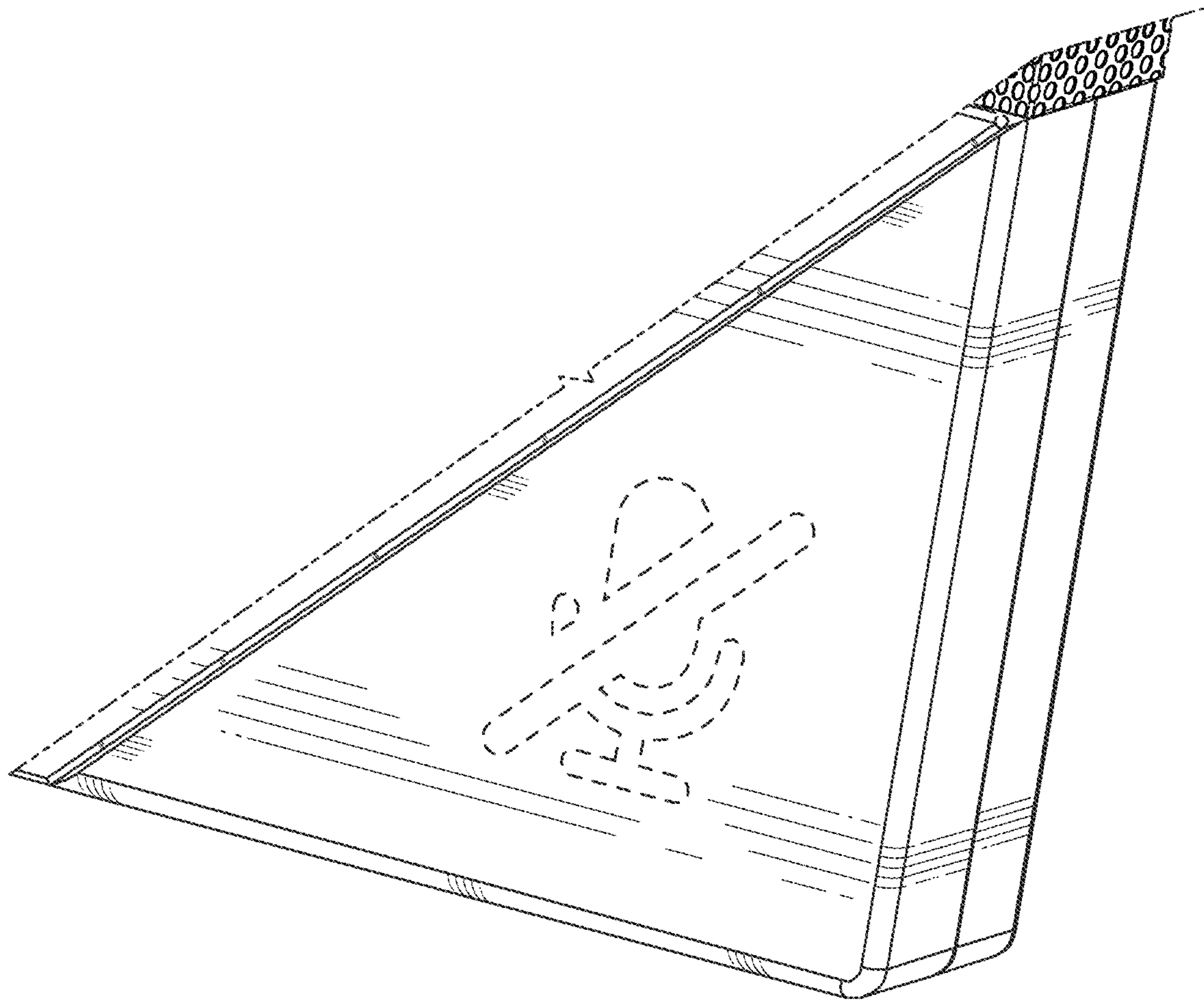
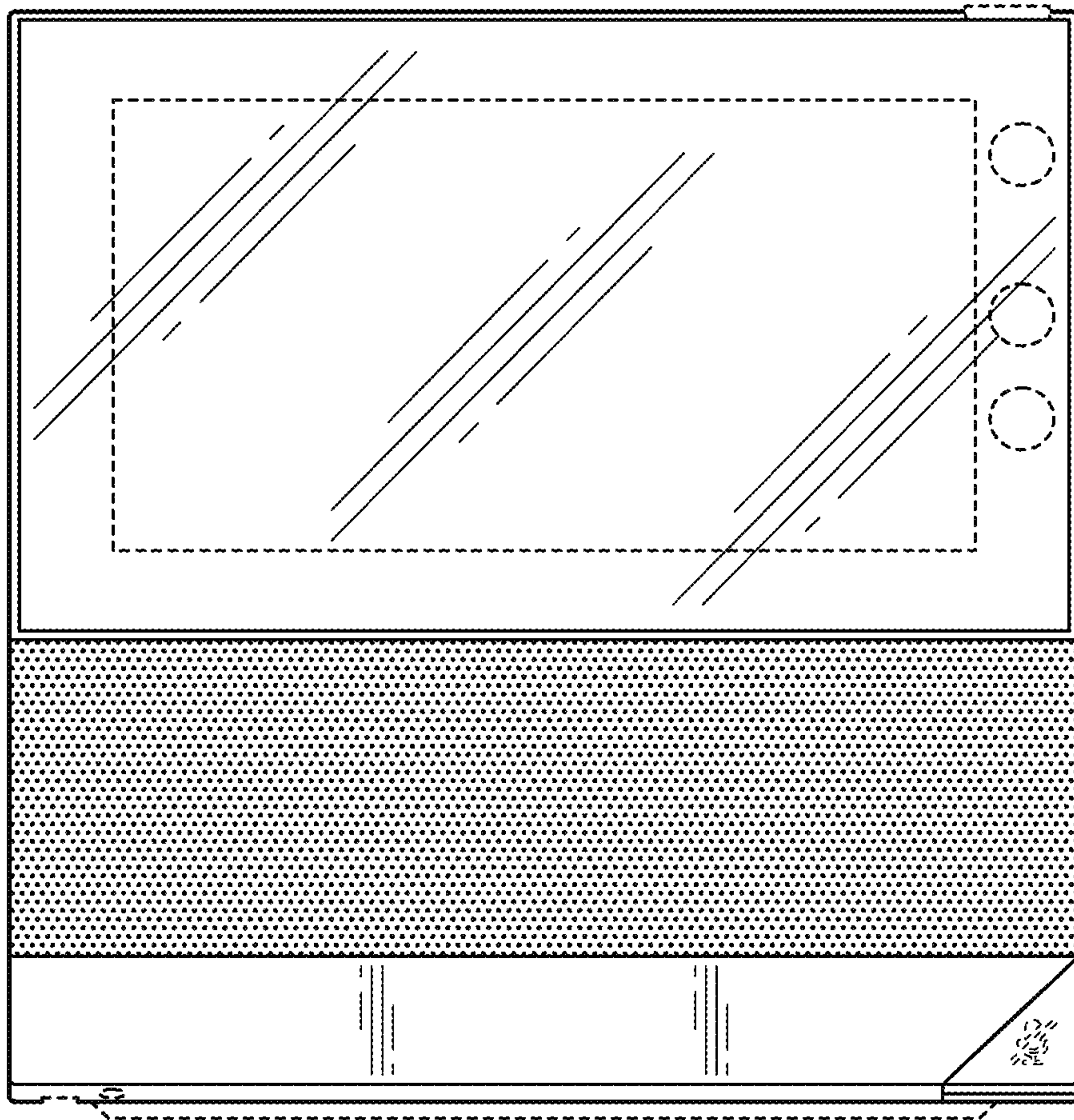


FIG. 1

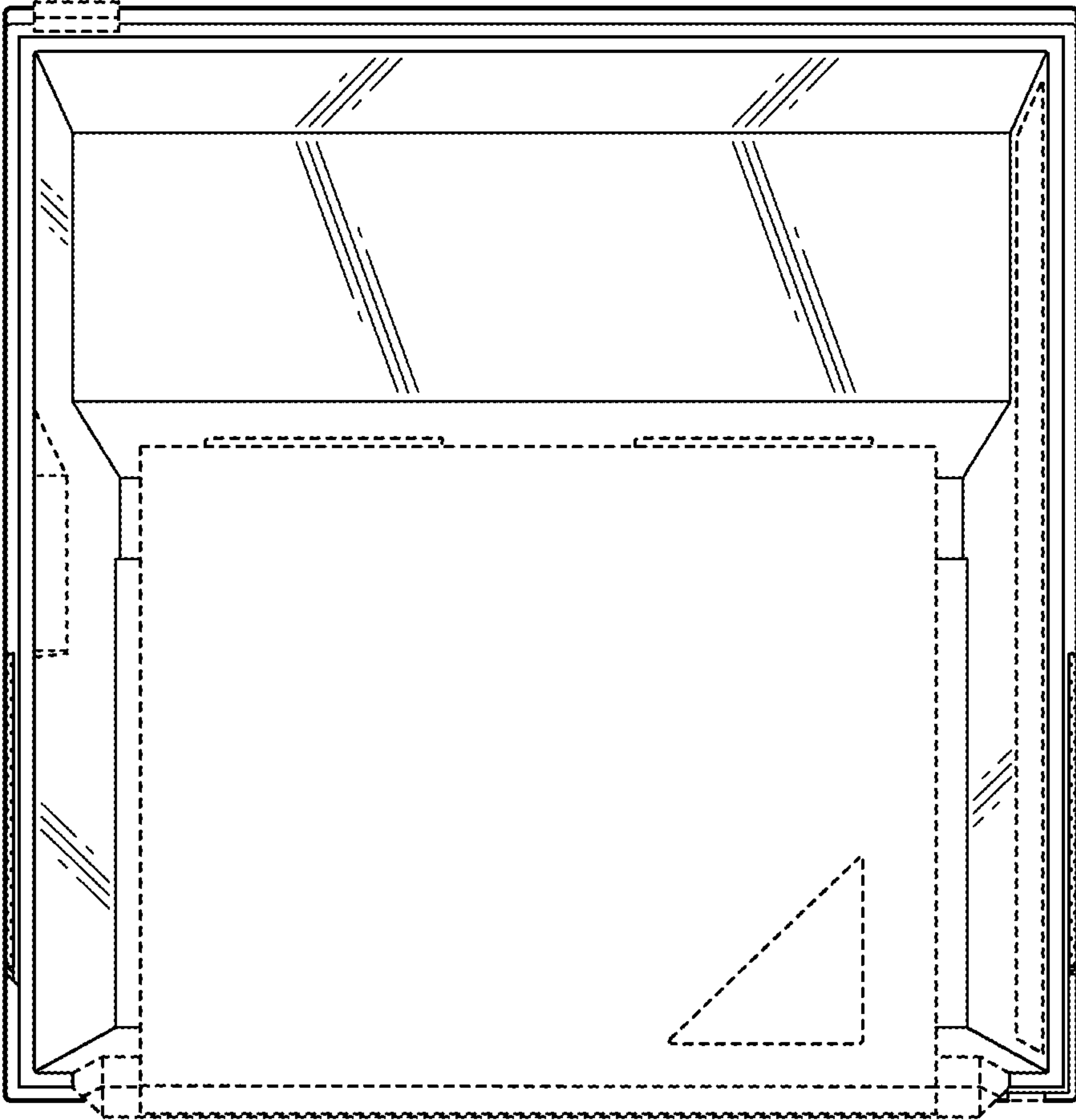
2-2



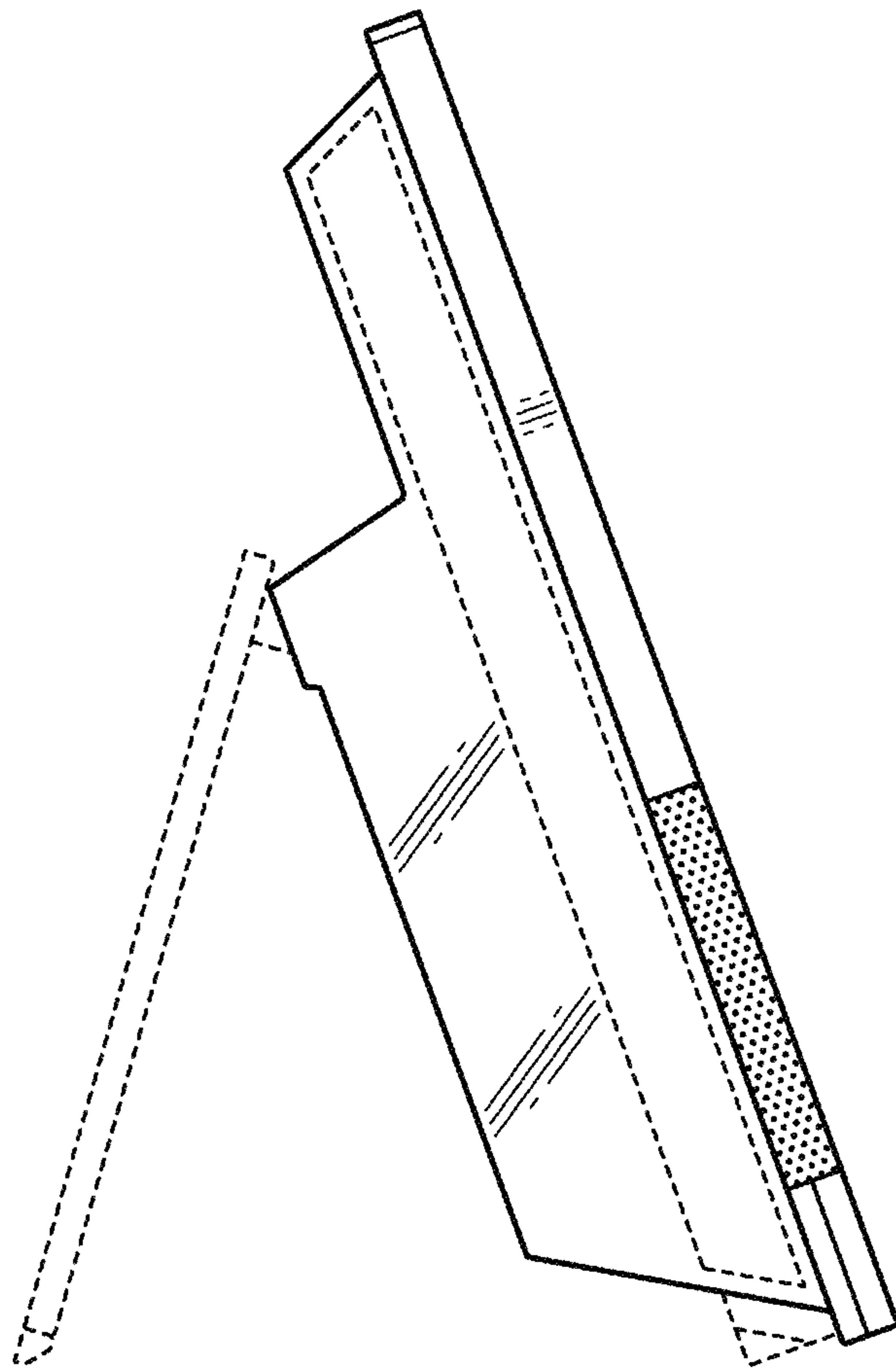
**FIG. 2**



**FIG. 3**

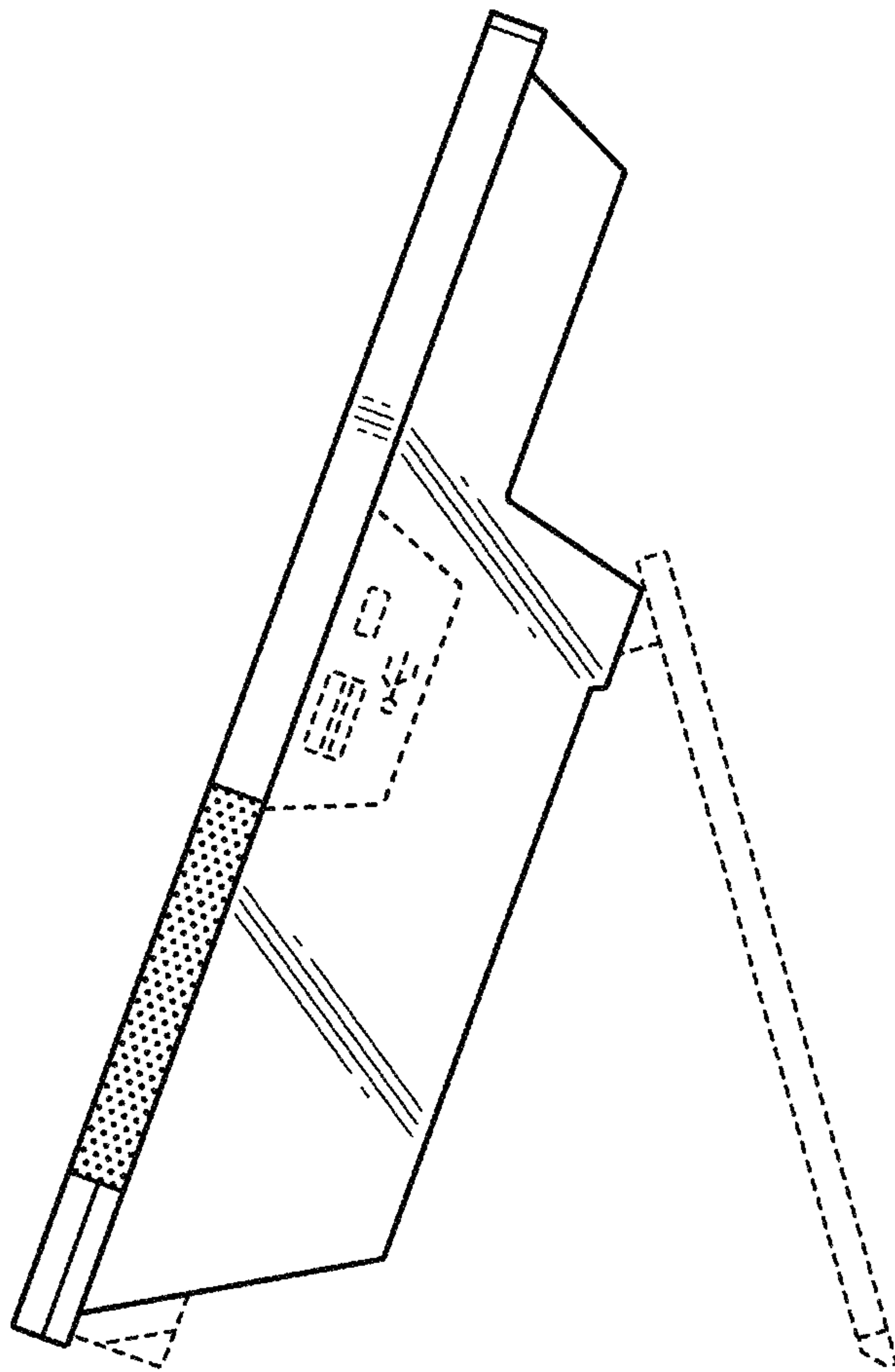


**FIG. 4**



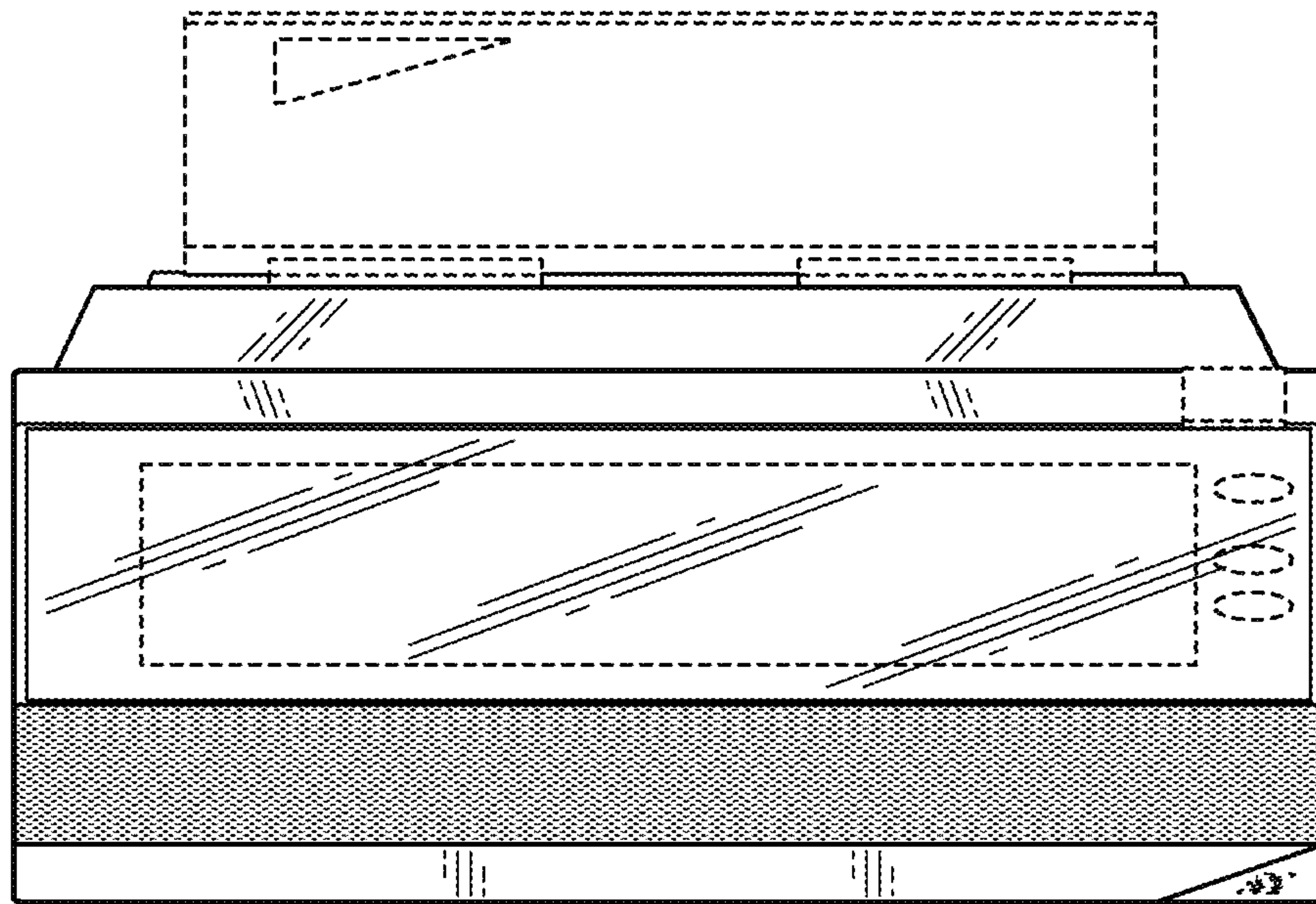
**FIG. 5**



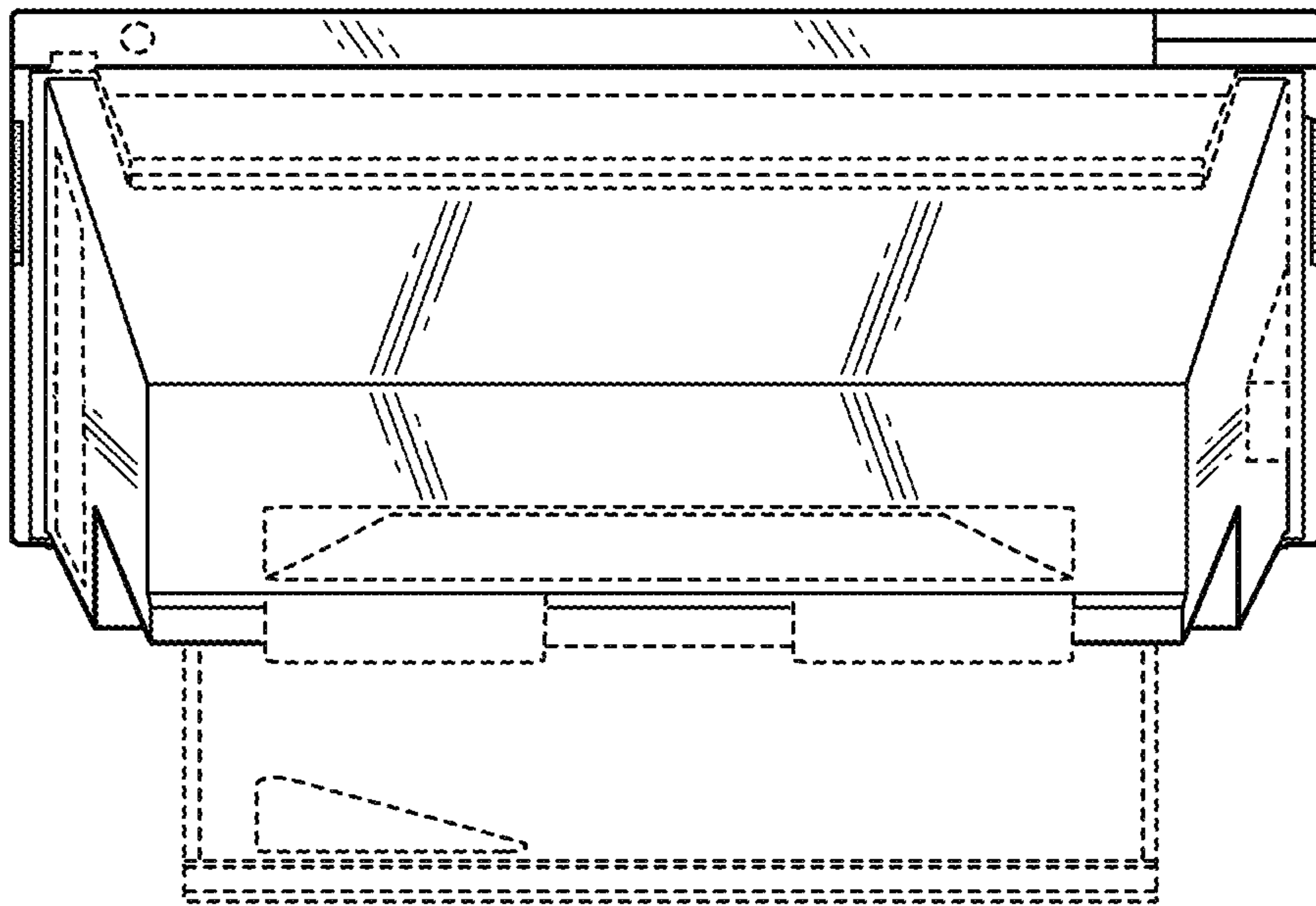


**FIG. 6**





**FIG. 7**



**FIG. 8**

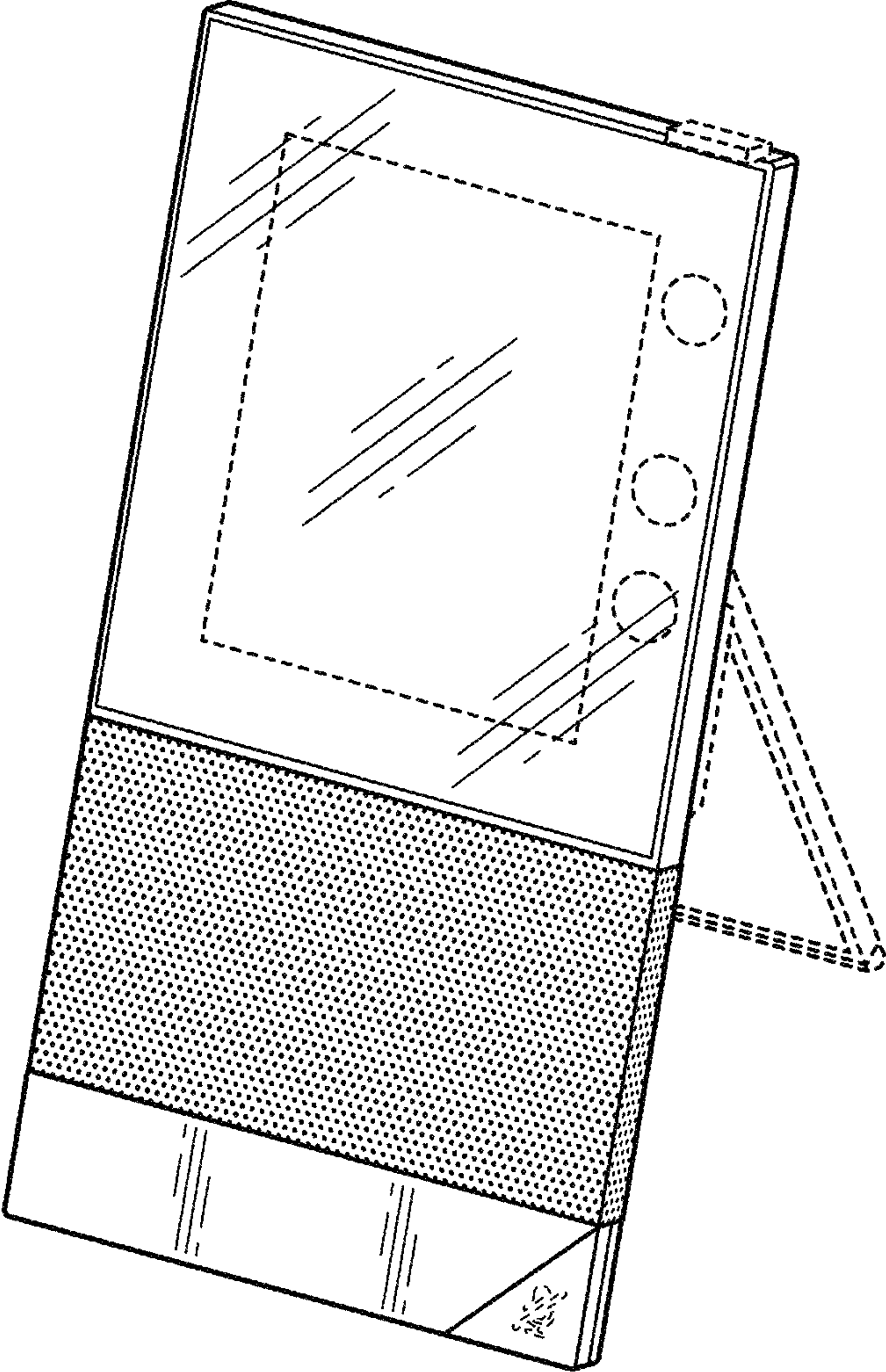
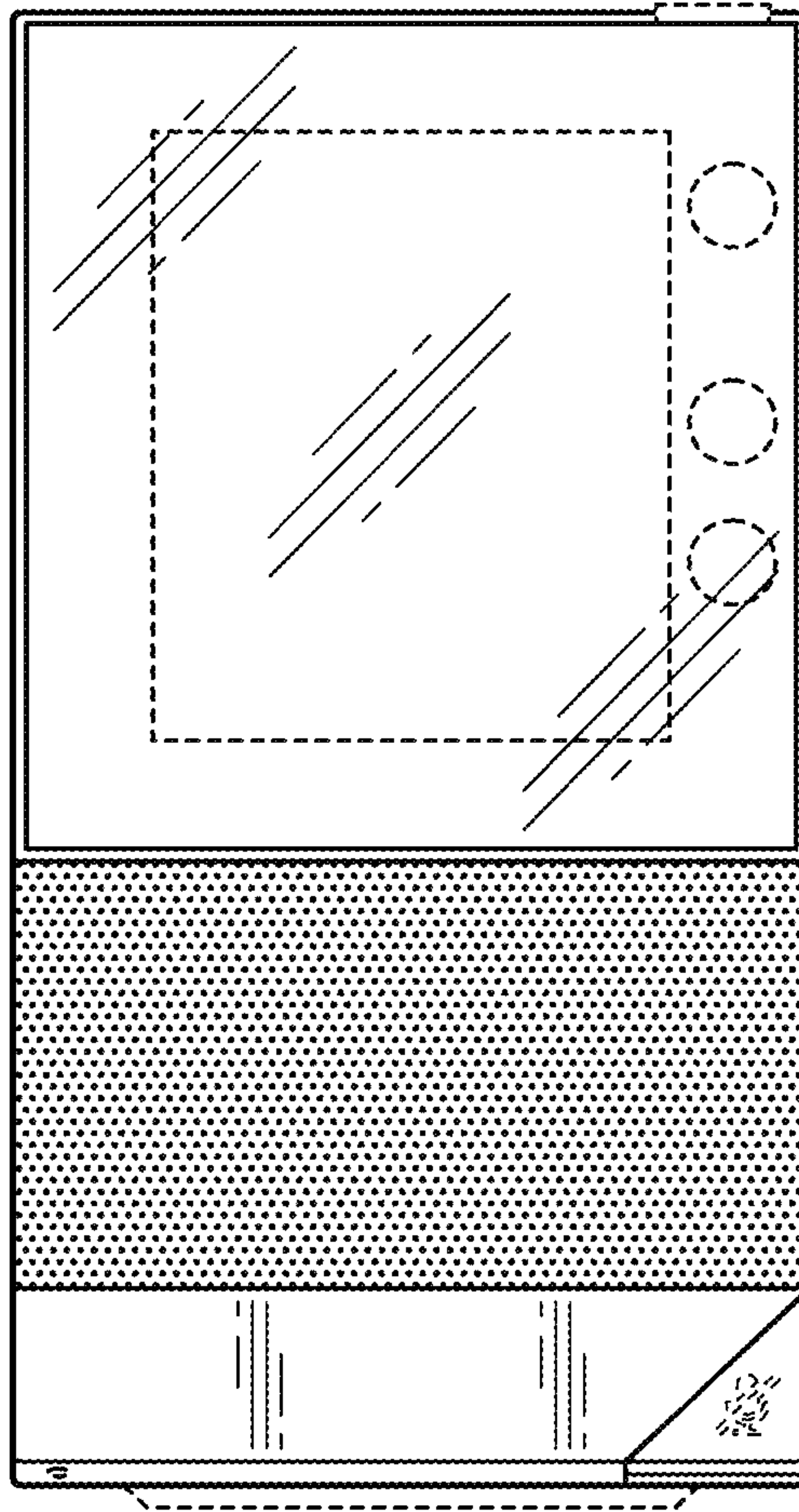
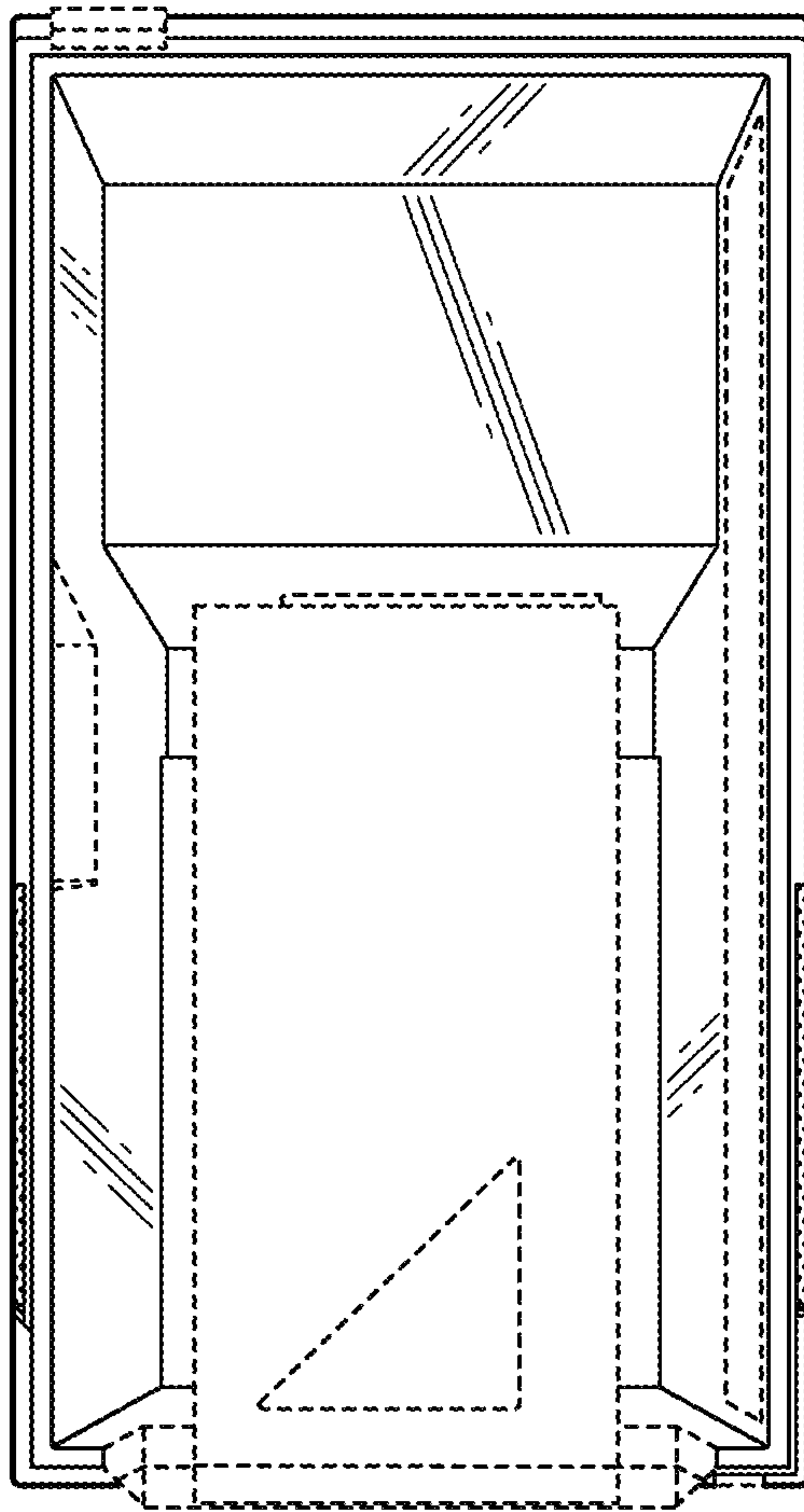


FIG. 9

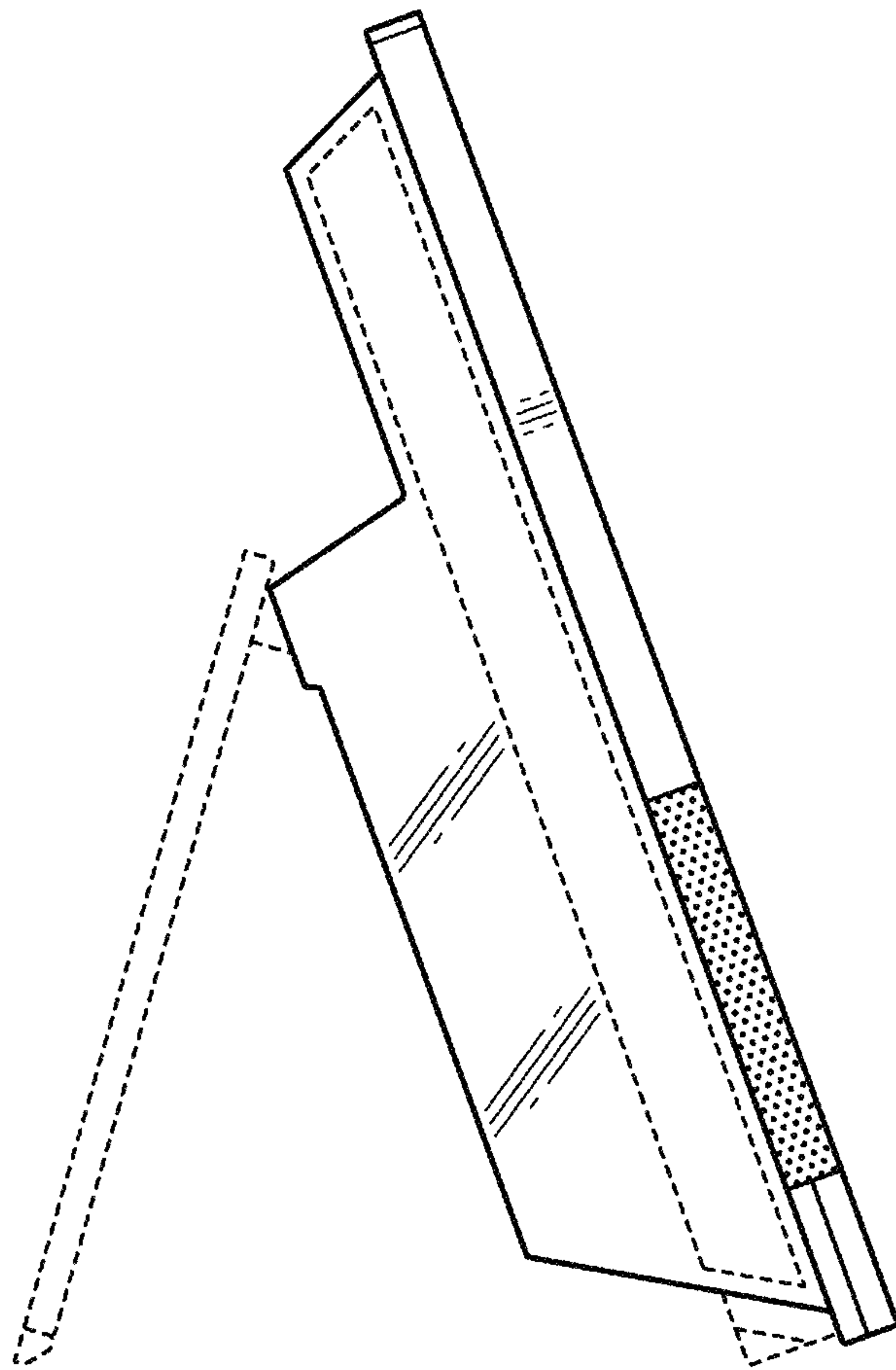


**FIG. 10**

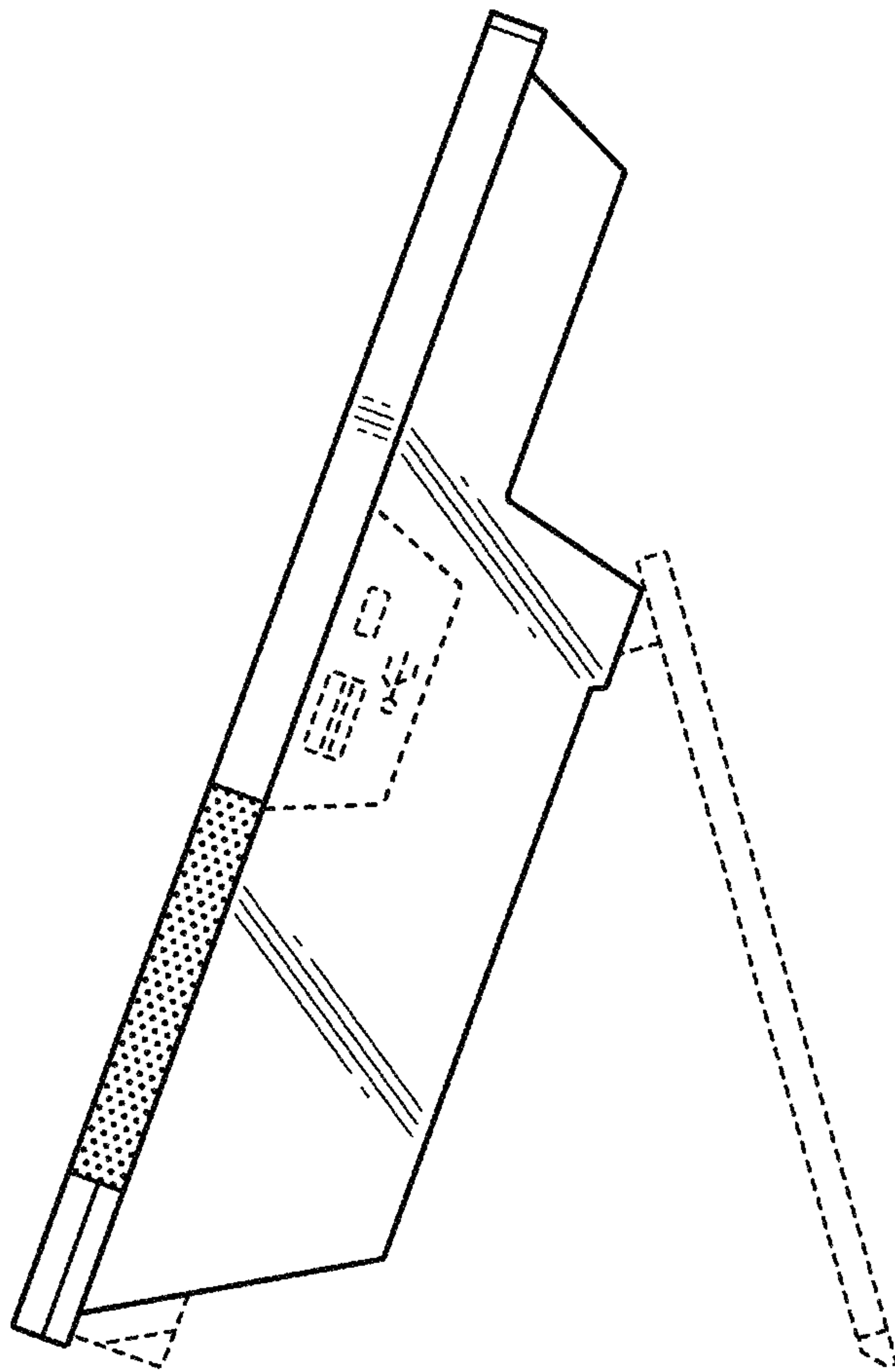




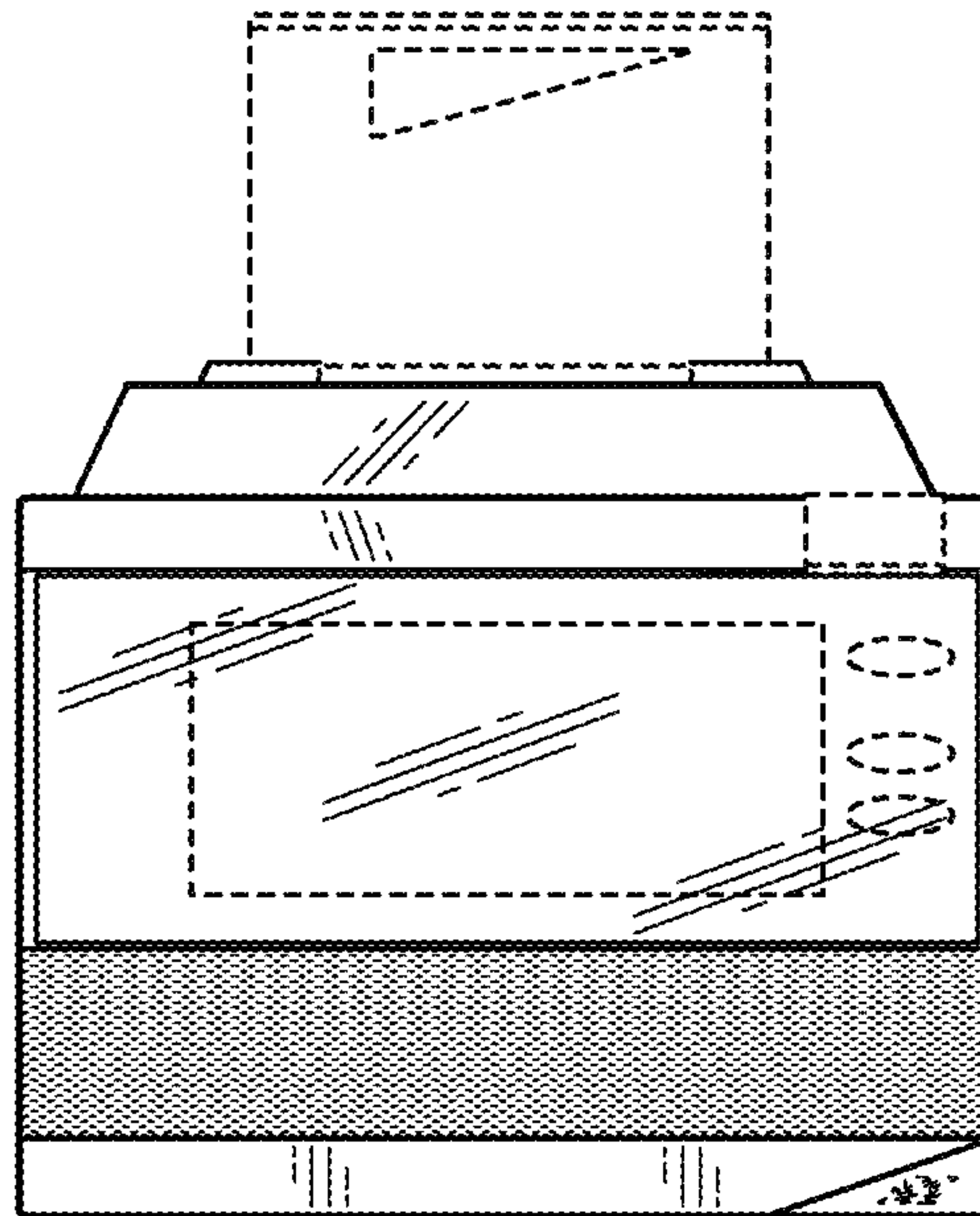
**FIG. 11**



**FIG. 12**

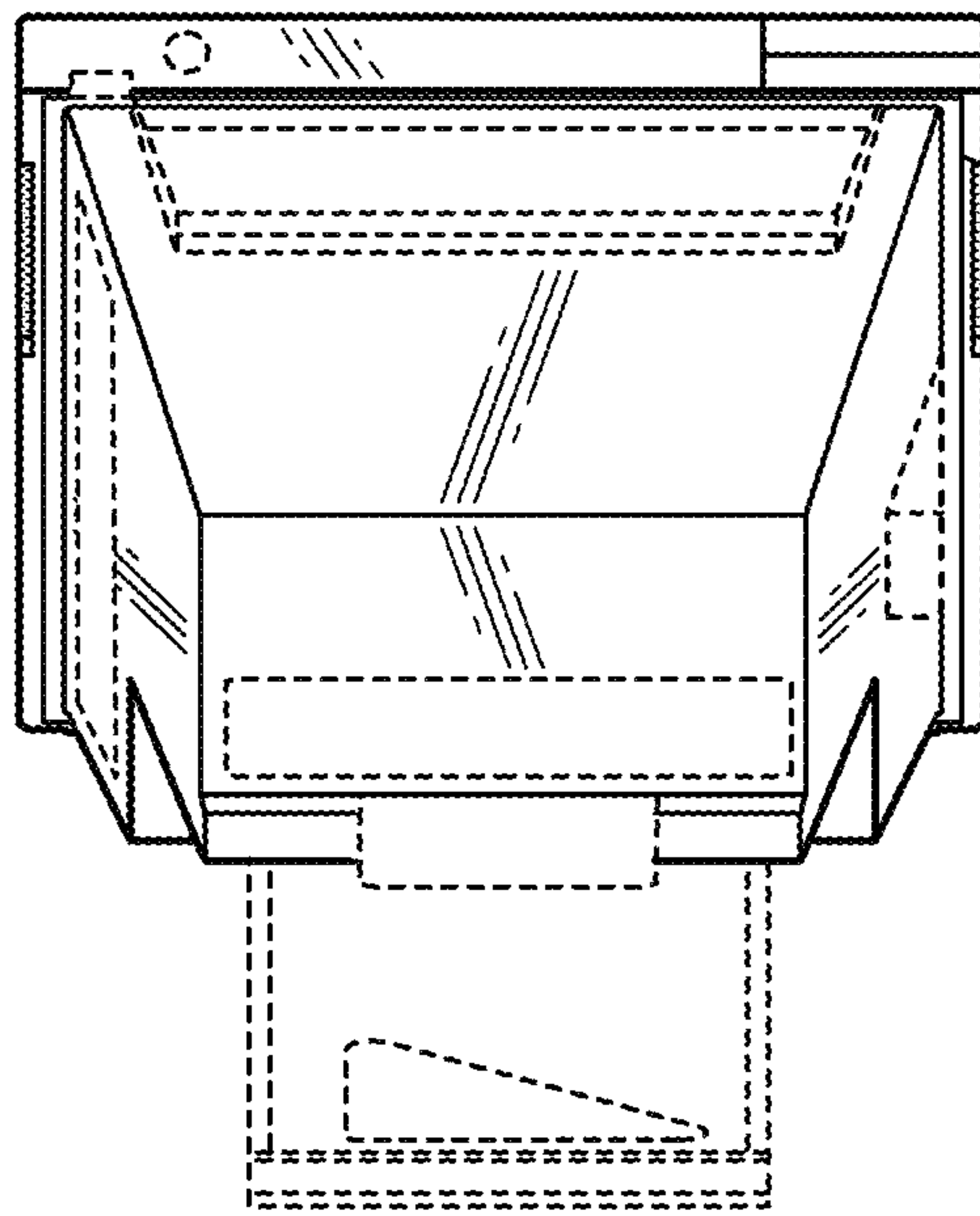


**FIG. 13**



**FIG. 14**





**FIG. 15**