



US00D922973S

(12) **United States Design Patent**  
**Park et al.**

(10) **Patent No.:** **US D922,973 S**  
(45) **Date of Patent:** **\*\* Jun. 22, 2021**

(54) **TELEVISION**

- (71) Applicant: **LG ELECTRONICS INC.**, Seoul (KR)
- (72) Inventors: **Misun Park**, Seoul (KR); **Jeongrok Lee**, Seoul (KR); **Taeho Kim**, Seoul (KR); **Yooseok Kim**, Seoul (KR)
- (73) Assignee: **LG ELECTRONICS INC.**, Seoul (KR)

(\*\*) Term: **15 Years**

(21) Appl. No.: **35/508,520**

(22) Filed: **May 31, 2019**

(80) **Hague Agreement Data**

Int. Filing Date: **May 31, 2019**  
 Int. Reg. No.: **DM/205613**  
 Int. Reg. Date: **May 31, 2019**  
 Int. Reg. Pub. Date: **Feb. 7, 2020**

(30) **Foreign Application Priority Data**

Dec. 3, 2018 (KR) ..... 30-2018-0056608

(51) **LOC (13) Cl.** ..... **14-03**

(52) **U.S. Cl.**  
USPC ..... **D14/126; D14/341**

(58) **Field of Classification Search**

USPC ..... D6/300, 308, 310, 642, 643, 650.1,  
 D6/653.15, 654.15, 657, 661, 675;  
 (Continued)

(56) **References Cited**

**U.S. PATENT DOCUMENTS**

D561,129 S \* 2/2008 Hsiung ..... D14/126  
 D561,712 S \* 2/2008 Chu ..... D14/126

(Continued)

**OTHER PUBLICATIONS**

GAEMS M155 Performance Gaming Monitor unboxing, publication date Jul. 9, 2015, [online][site visited Dec. 15, 2020] URL: <https://www.youtube.com/watch?v=8ETXf6yjBf4> (Year: 2015).\*

(Continued)

*Primary Examiner* — L. A. Grabenstetter

(74) *Attorney, Agent, or Firm* — Birch, Stewart, Kolasch & Birch, LLP

(57) **CLAIM**

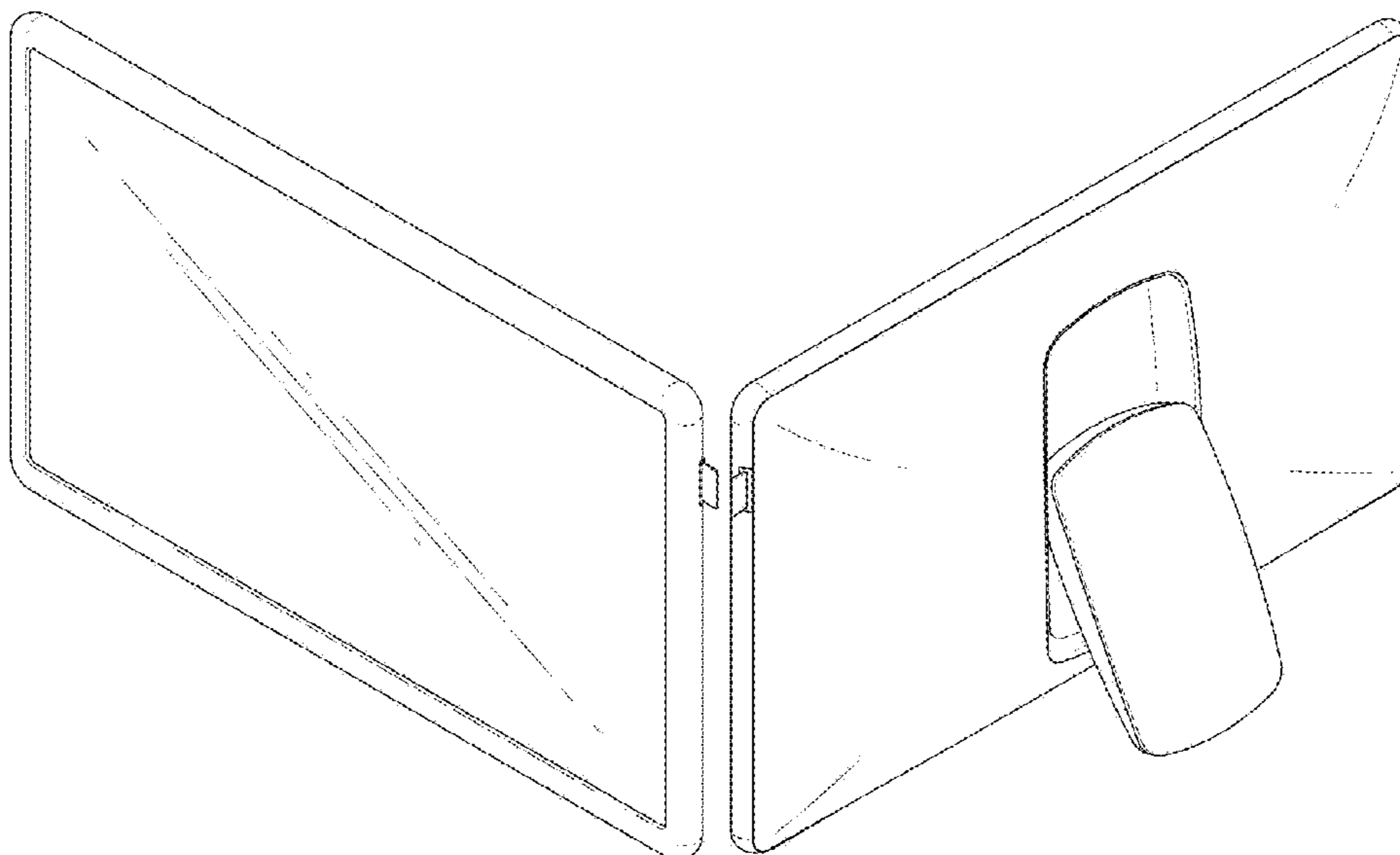
The ornamental design for a television, as shown and described.

**DESCRIPTION**

1. Television

- 1.1 : Front perspective view, with the cradle in a folded state
  - 1.2 : Rear perspective view, with the cradle in a folded state
  - 1.3 : Front view, with the cradle in a folded state
  - 1.4 : Rear view, with the cradle in a folded state
  - 1.5 : Left view, with the cradle in a folded state
  - 1.6 : Right view, with the cradle in a folded state
  - 1.7 : Top view, with the cradle in a folded state
  - 1.8 : Bottom view, with the cradle in a folded state
  - 1.9 : Front perspective view, with the cradle in an unfolded state
  - 1.10 : Rear perspective view, with the cradle in an unfolded state
  - 1.11 : Front view, with the cradle in an unfolded state
  - 1.12 : Rear view, with the cradle in an unfolded state
  - 1.13 : Left view, with the cradle in an unfolded state
  - 1.14 : Right view, with the cradle in an unfolded state
  - 1.15 : Top view, with the cradle in an unfolded state
  - 1.16 : Bottom view, with the cradle in an unfolded state
- The broken lines indicate portions of the article that form no part of the claimed design.

**1 Claim, 16 Drawing Sheets**



(58) **Field of Classification Search**

USPC ..... D14/125, 126, 127, 128, 129, 132, 134,  
D14/203.3, 203.7, 336, 341, 373-377;  
D16/229, 235, 241; D21/330  
CPC ..... G06F 1/1601; G06F 1/1605; G06F 1/162  
See application file for complete search history.

(56) **References Cited**

U.S. PATENT DOCUMENTS

D629,402 S \* 12/2010 Crisp ..... D14/390  
D695,735 S \* 12/2013 Kitchen ..... D14/341  
8,605,433 B2 \* 12/2013 Chiang ..... F16M 13/005  
361/679.59  
D722,051 S \* 2/2015 Inada ..... D14/341  
D724,579 S \* 3/2015 Moradian ..... D14/341  
D732,491 S \* 6/2015 Choi ..... D14/126  
D737,270 S \* 8/2015 Young ..... D14/341  
D751,063 S \* 3/2016 Lin ..... D14/341

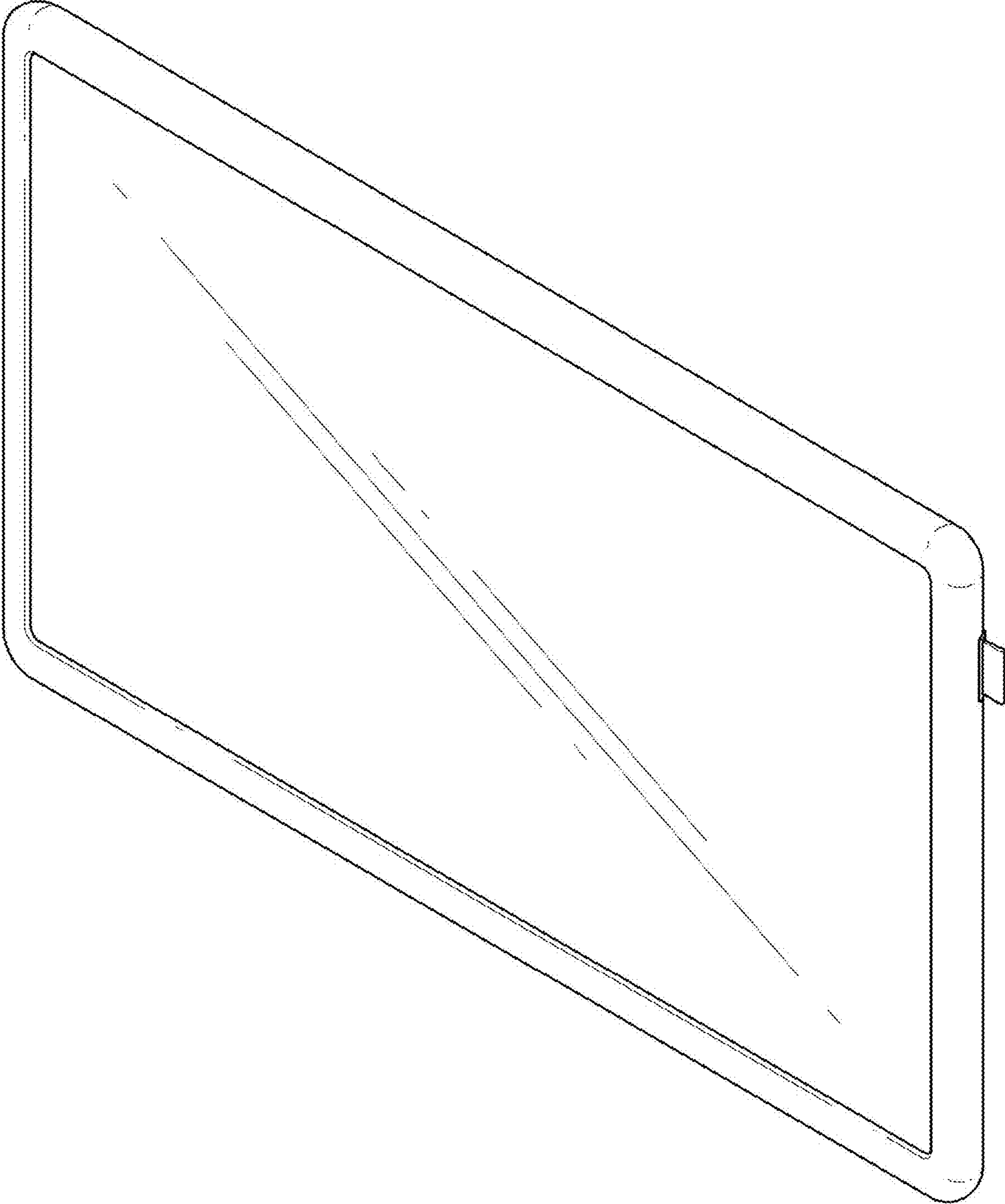
D751,547 S \* 3/2016 Song ..... D14/341  
D778,857 S \* 2/2017 Liu ..... D14/126  
D782,473 S \* 3/2017 Hong ..... D14/341  
D783,017 S \* 4/2017 Widiaman ..... D14/341  
D805,050 S \* 12/2017 Lim ..... D14/126  
D805,491 S \* 12/2017 Lim ..... D14/126  
D819,585 S \* 6/2018 Kang ..... D14/126  
D836,579 S \* 12/2018 Gannon ..... D14/126  
D848,386 S \* 5/2019 Kuwao ..... D14/126

OTHER PUBLICATIONS

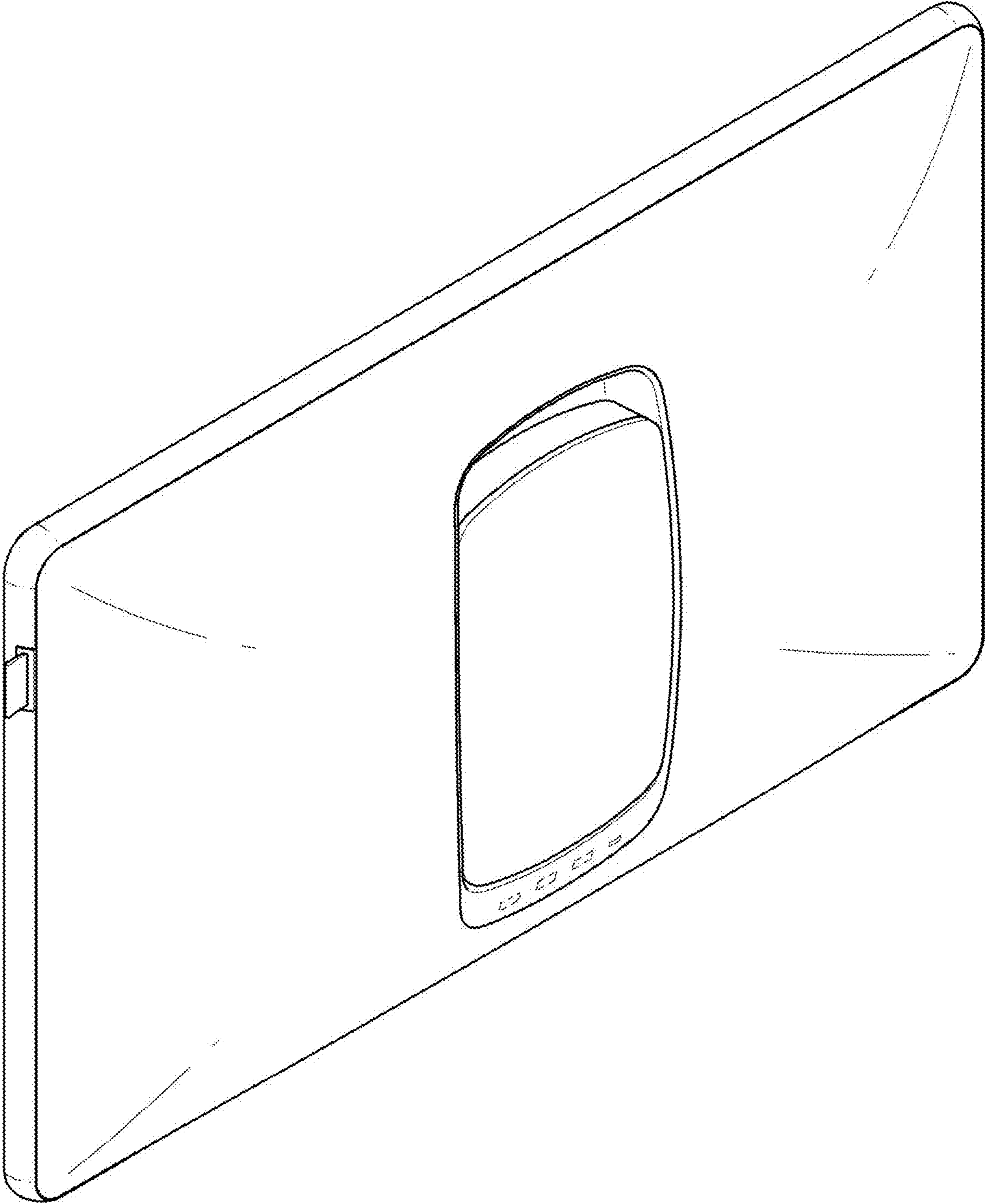
Asus announced portable gaming monitors, ZenScreen Touch and ROG Strix XG17, publicaiton date May 27, 2019, [online][site visited Dec. 15, 2020] URL: <https://www.theverge.com/2019/5/27/18641209/asus-rog-strix-xg17-zenscreen-touch-announced> (Year: 2019).\*

\* cited by examiner

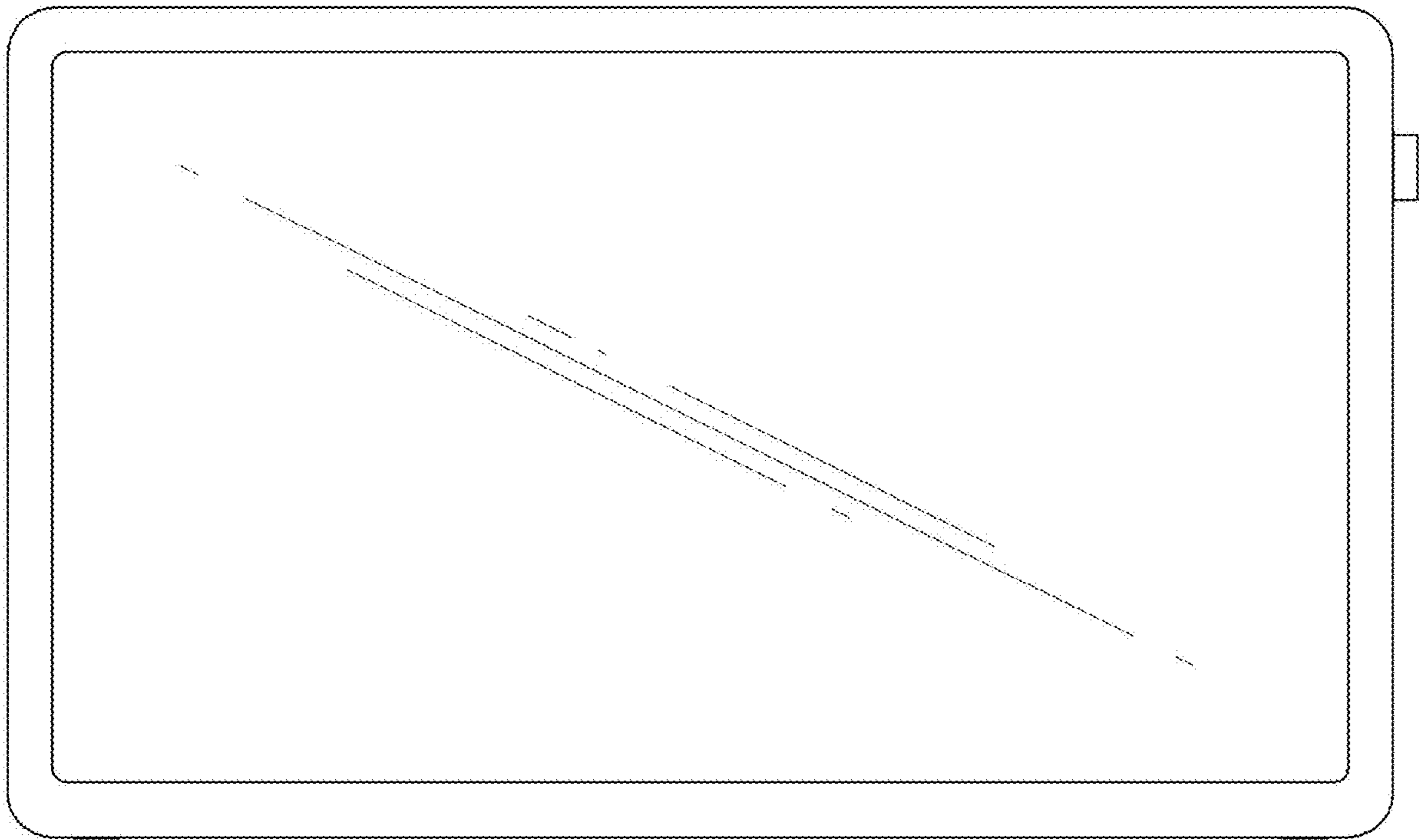
1.1



1.2

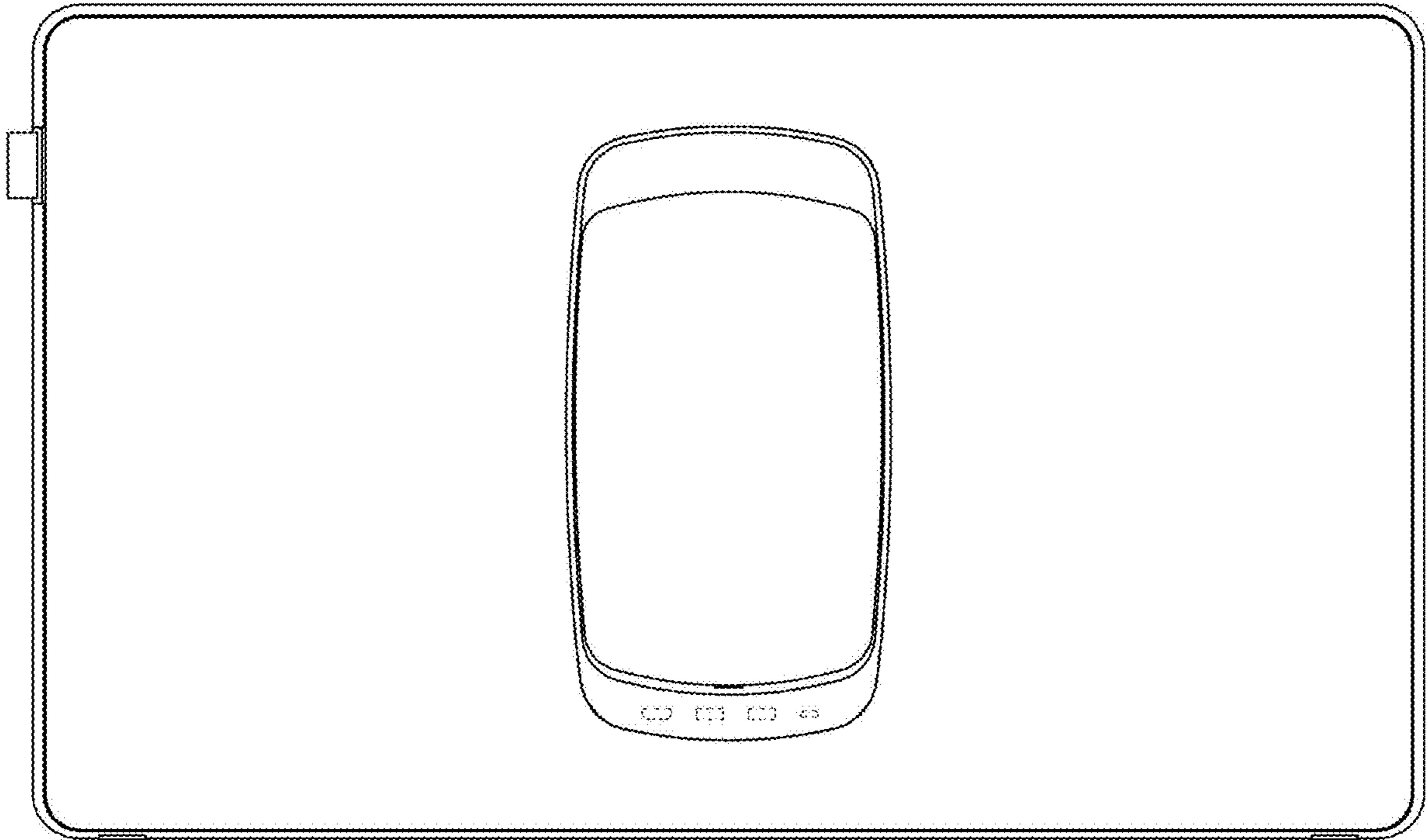


1.3

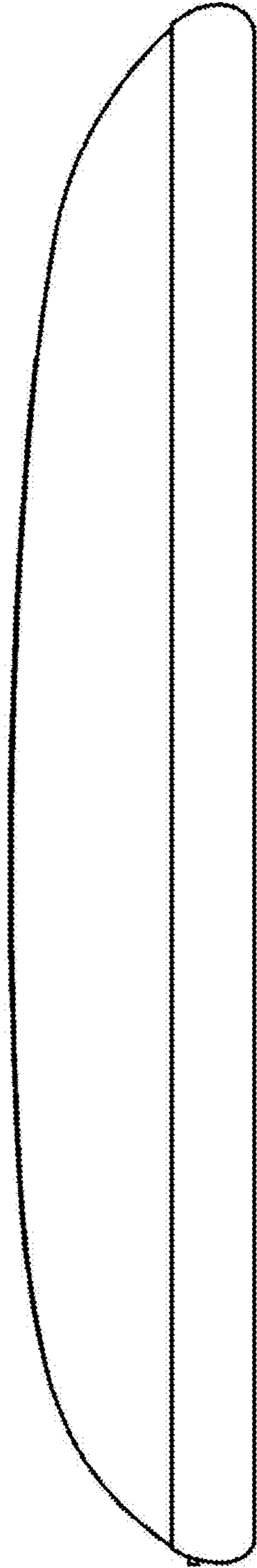




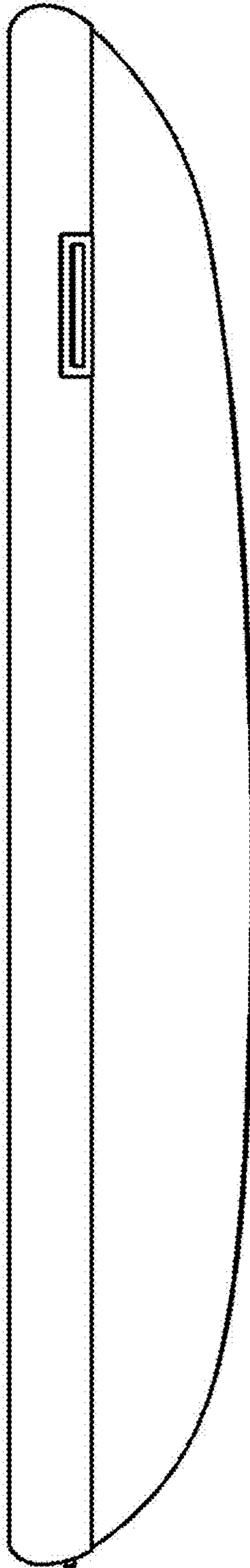
1.4



1.5



1.6

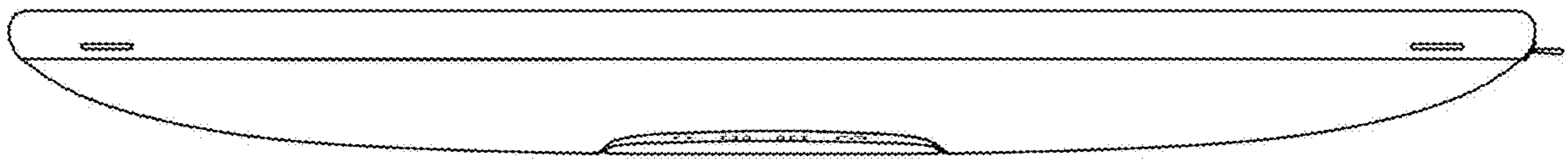




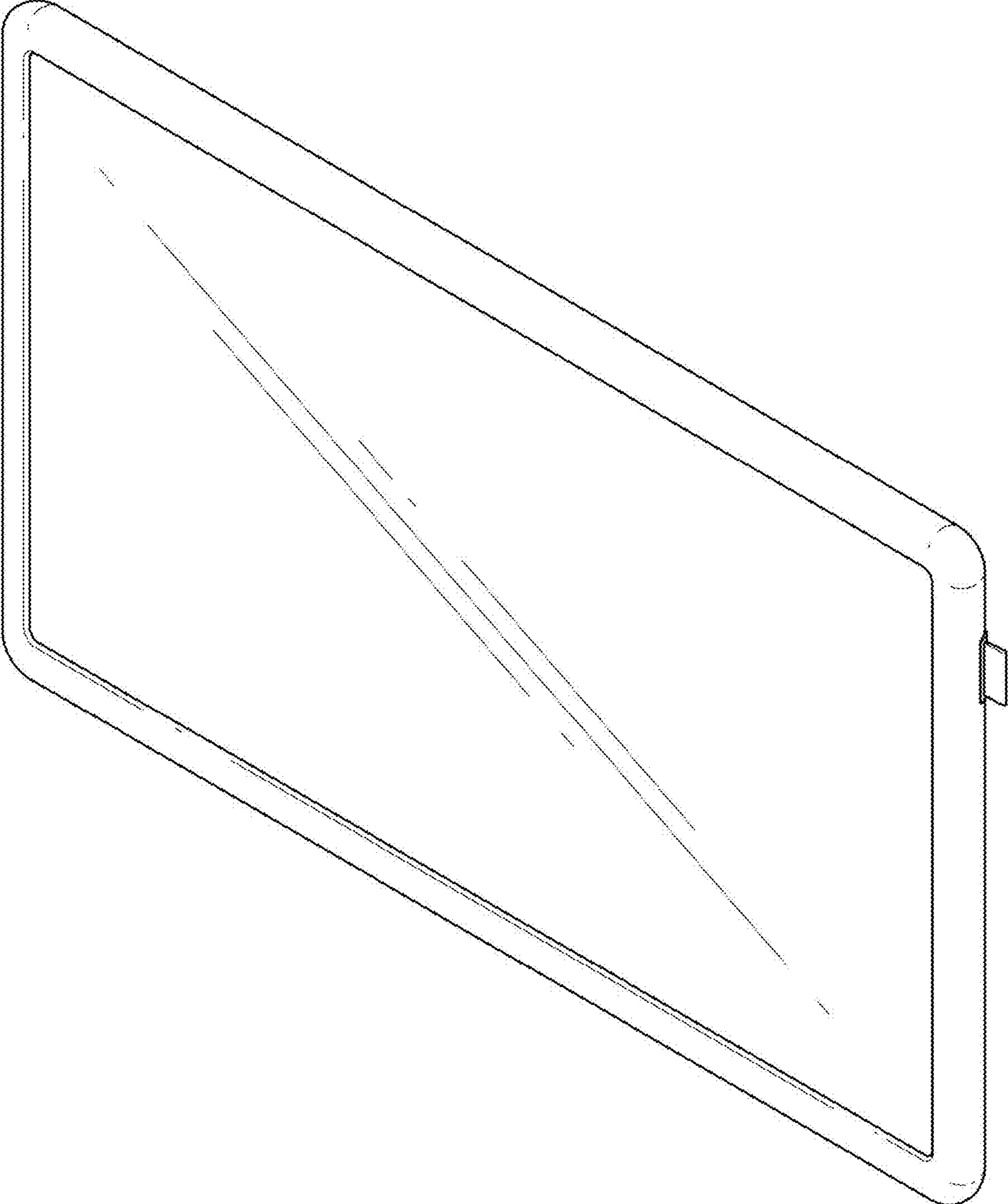
1.7



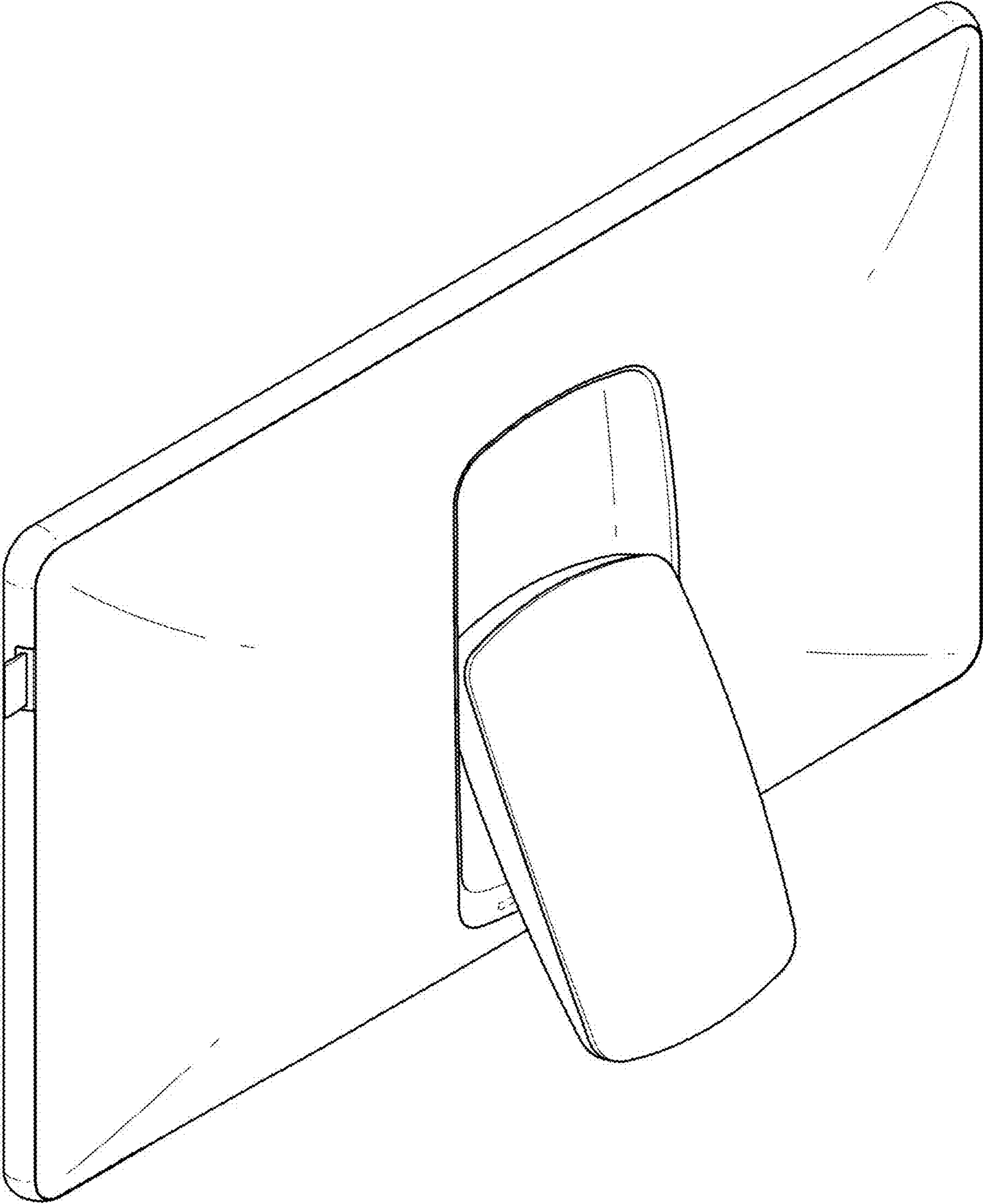
1.8



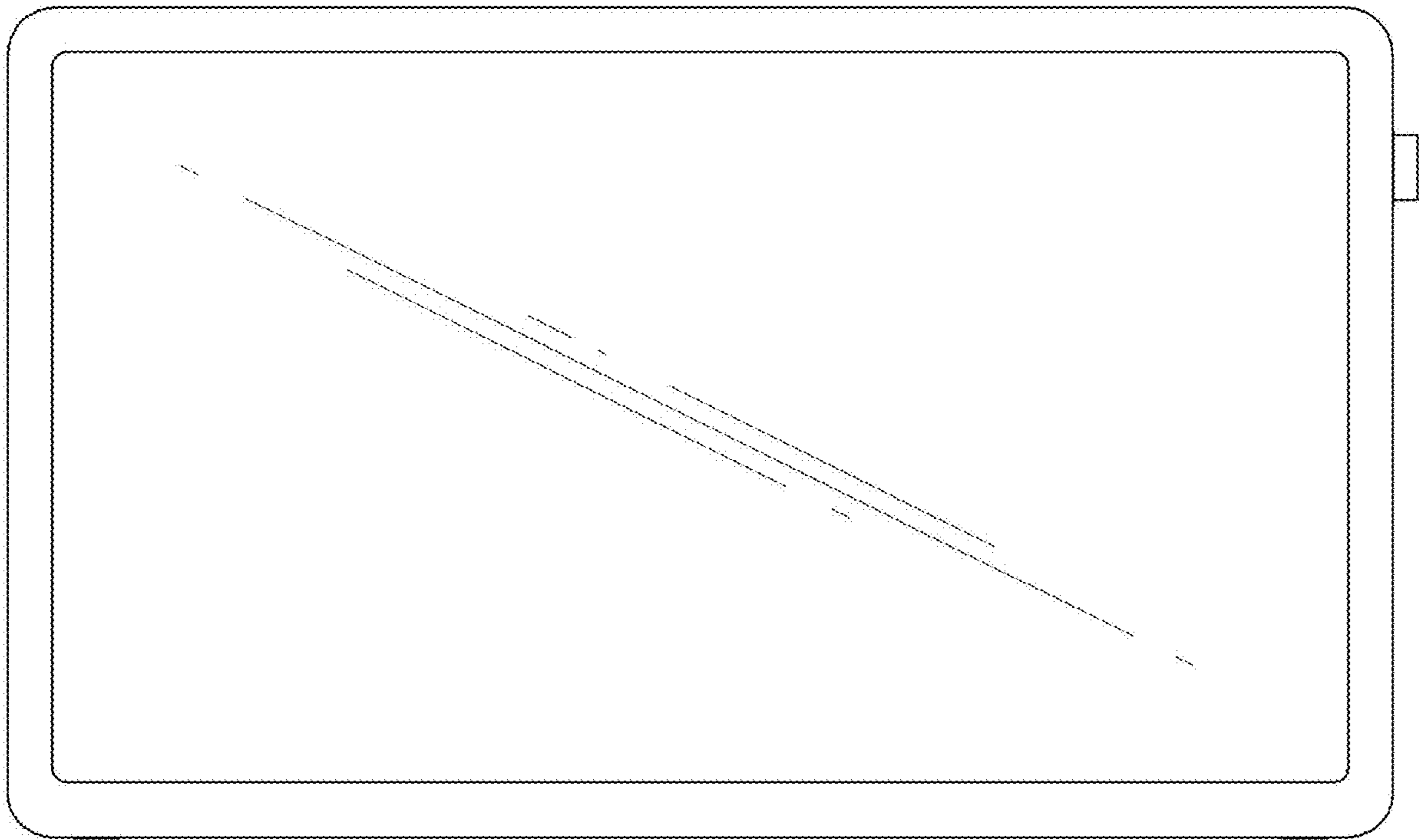
1.9



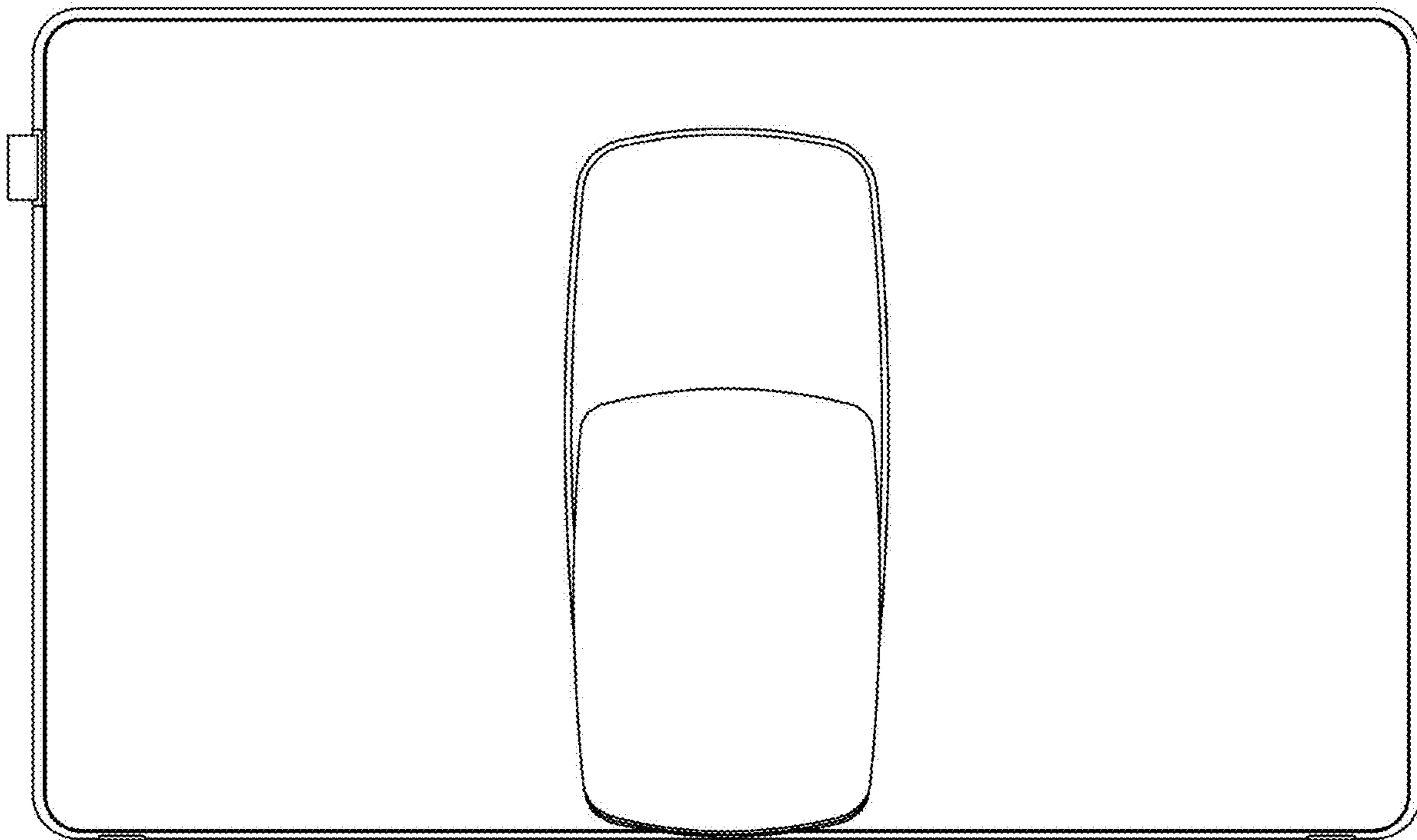
1.10



1.11

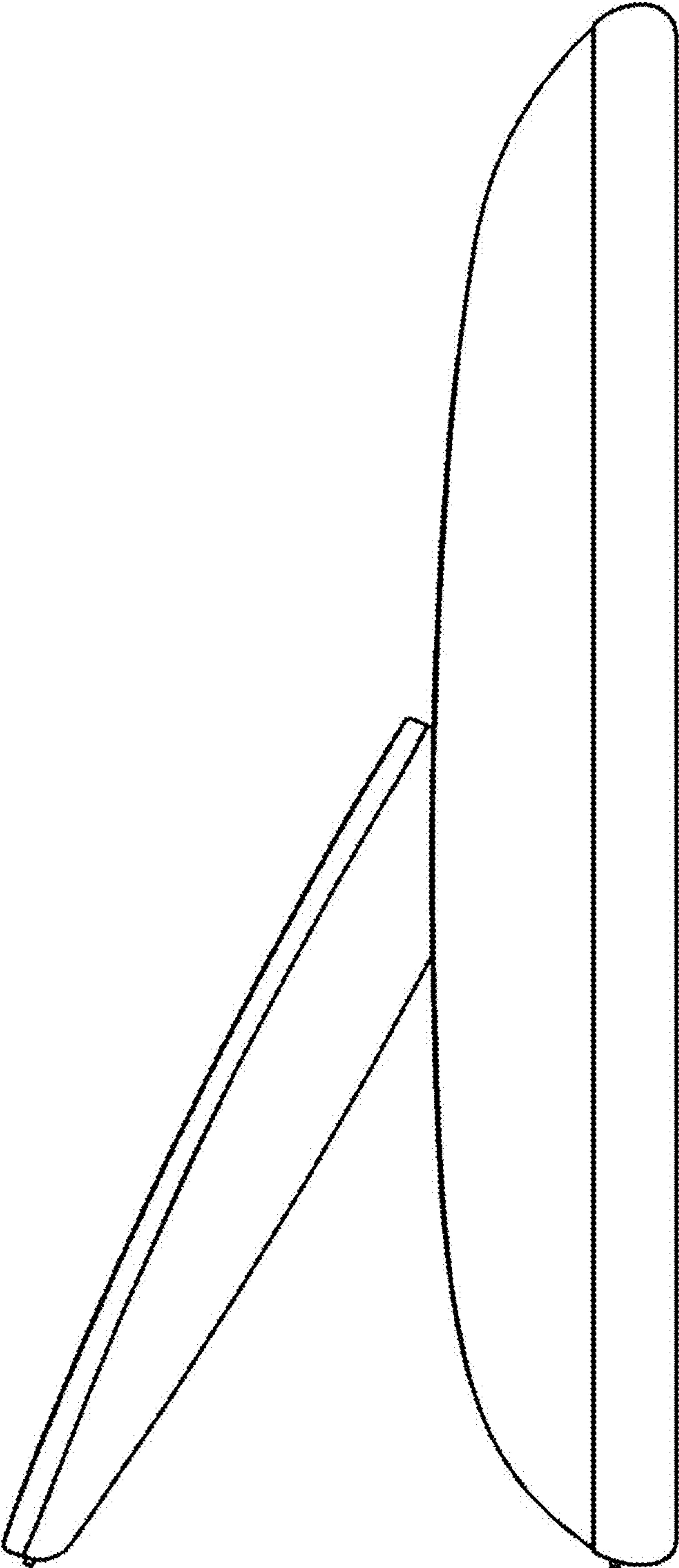


1.12

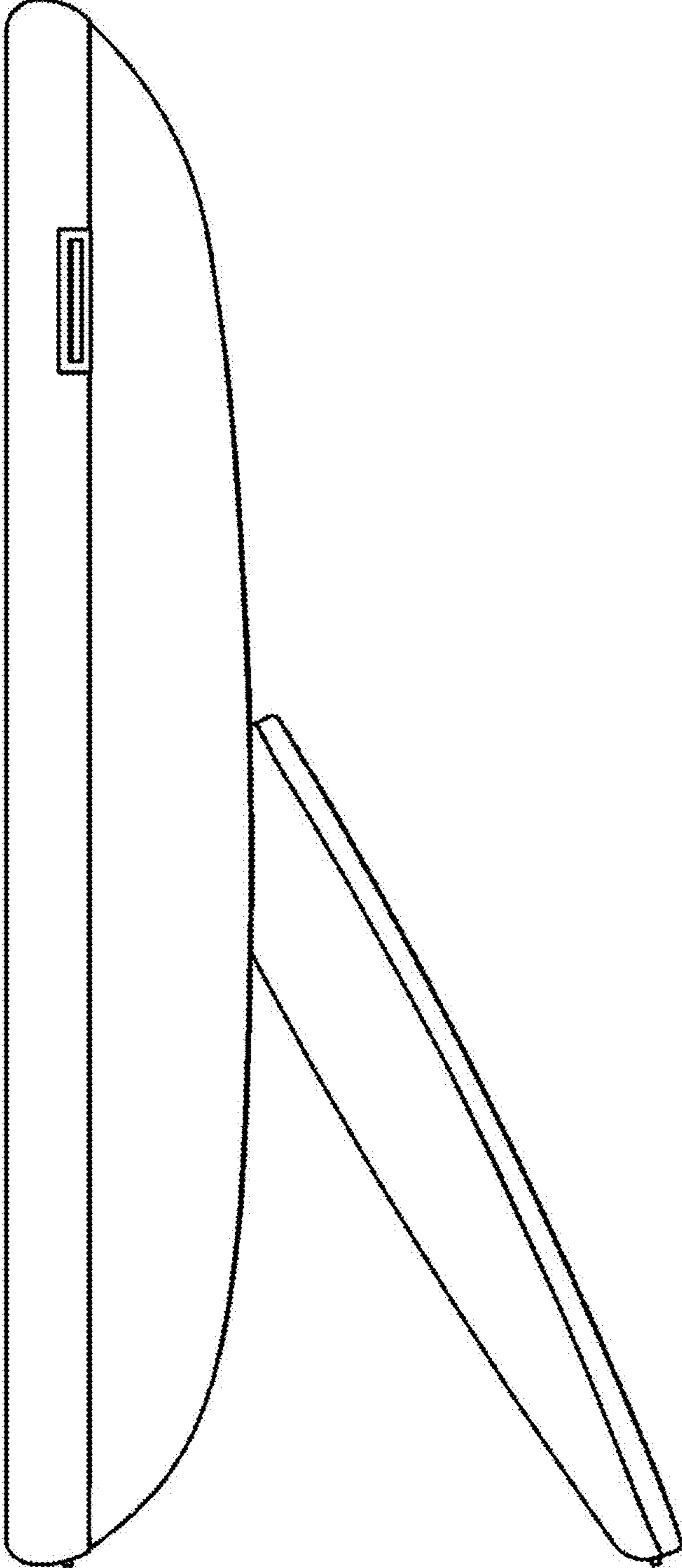




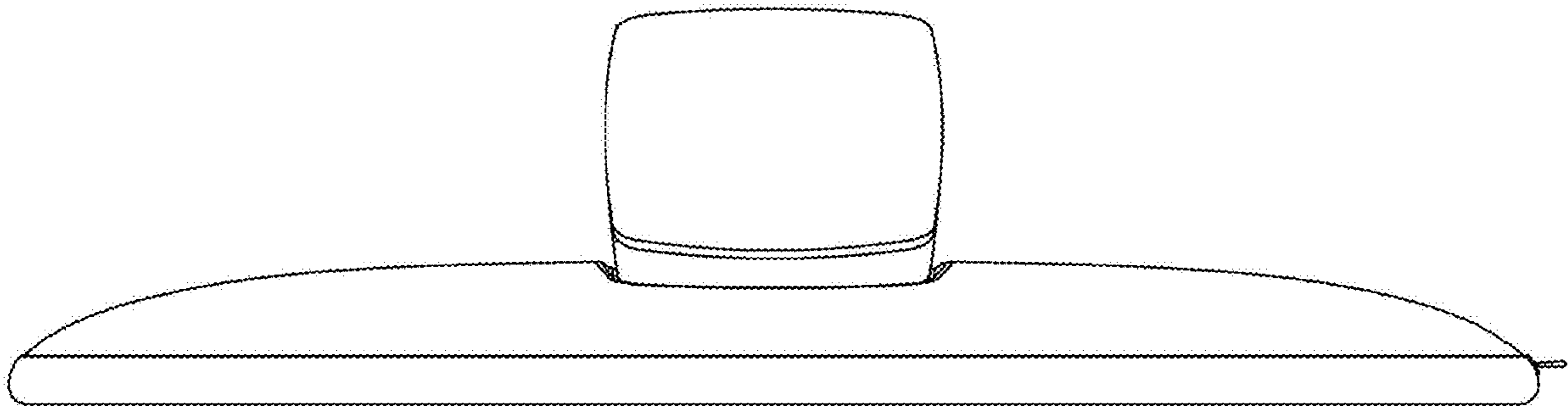
1.13



1.14



1.15



1.16

