



US00D922972S

(12) **United States Design Patent**
Park et al.

(10) **Patent No.:** **US D922,972 S**
(45) **Date of Patent:** **** Jun. 22, 2021**

(54) **TELEVISION**

(71) Applicant: **LG ELECTRONICS INC.**, Seoul (KR)

(72) Inventors: **Misun Park**, Seoul (KR); **Jeongrok Lee**, Seoul (KR); **Taeho Kim**, Seoul (KR); **Yooseok Kim**, Seoul (KR)

(73) Assignee: **LG ELECTRONICS INC.**, Seoul (KR)

(**) Term: **15 Years**

(21) Appl. No.: **35/508,474**

(22) Filed: **May 31, 2019**

(80) **Hague Agreement Data**

Int. Filing Date: **May 31, 2019**

Int. Reg. No.: **DM/205488**

Int. Reg. Date: **May 31, 2019**

Int. Reg. Pub. Date: **Jan. 31, 2020**

(30) **Foreign Application Priority Data**

Dec. 3, 2018 (KR) 30-2018-0056605

(51) **LOC (13) Cl.** **14-03**

(52) **U.S. Cl.**
USPC **D14/126; D14/341**

(58) **Field of Classification Search**
USPC D6/300, 308, 310, 642, 643, 650.1, D6/653.15, 654.15, 657, 661, 675;
(Continued)

(56) **References Cited**

U.S. PATENT DOCUMENTS

D558,460 S * 1/2008 Yu D14/341
8,605,433 B2 * 12/2013 Chiang F16M 13/005
361/679.59

(Continued)

OTHER PUBLICATIONS

GAEMS M155 Performance Gaming Monitor unboxing, publication date Jul. 9, 2015, [online][site visited Dec. 15, 2020] URL: <https://www.youtube.com/watch?v=8ETXf6yjBf4> (Year: 2015).*

(Continued)

Primary Examiner — L. A. Grabenstetter

(74) *Attorney, Agent, or Firm* — Birch, Stewart, Kolasch & Birch, LLP

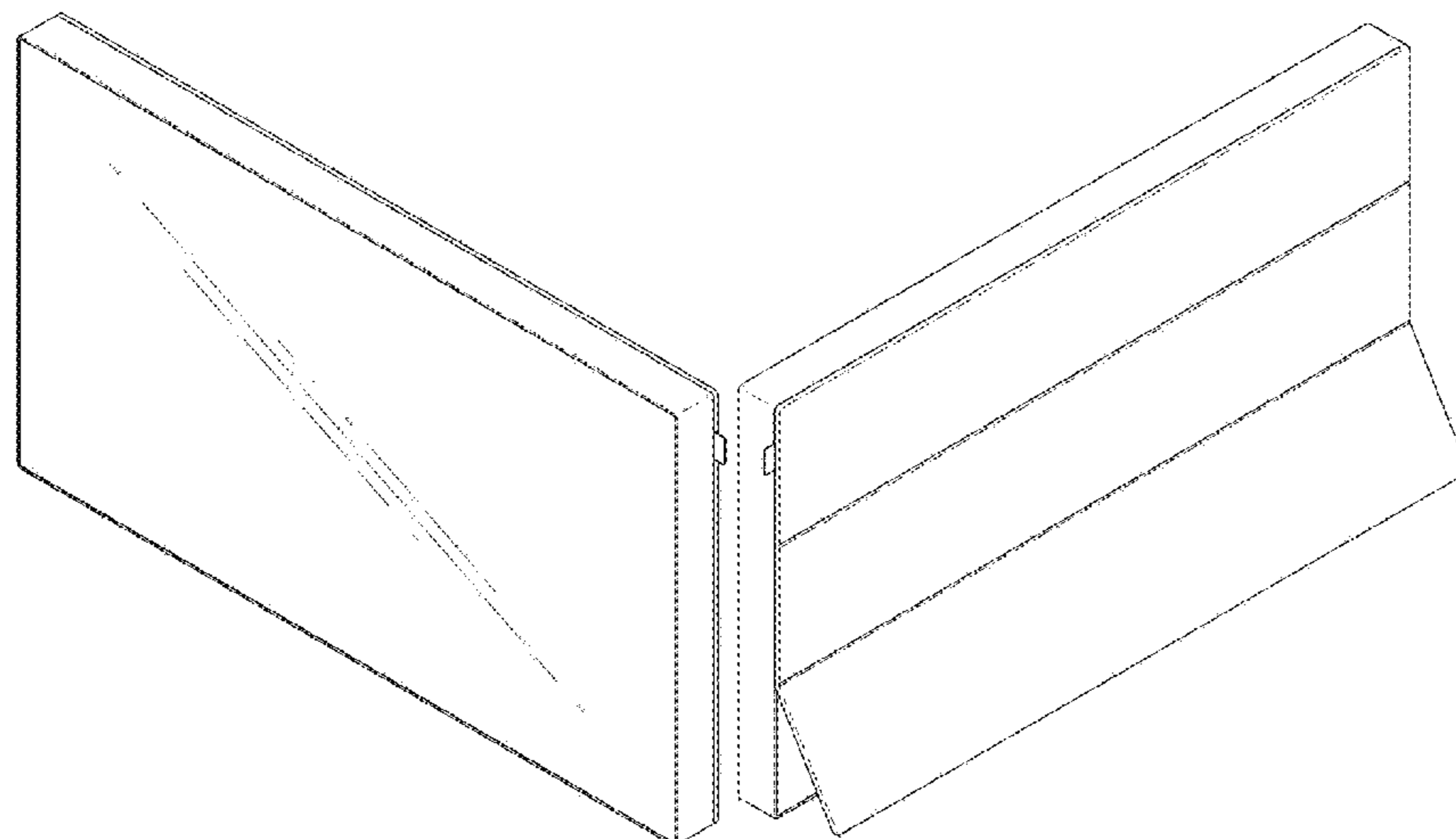
(57) **CLAIM**

The ornamental design for a television, as shown and described.

DESCRIPTION

- 1. Television
- 1.1 : Front perspective view
- 1.2 : Rear perspective view
- 1.3 : Front view
- 1.4 : Rear view
- 1.5 : Left view
- 1.6 : Right view
- 1.7 : Top view
- 1.8 : Bottom view
- 1.9 : Front perspective view, with the lower portion of the rear cover in an alternate state
- 1.10 : Rear perspective view, with the lower portion of the rear cover in an alternate state
- 1.11 : Front view, with the lower portion of the rear cover in an alternate state
- 1.12 : Rear view, with the lower portion of the rear cover in an alternate state
- 1.13 : Left view, with the lower portion of the rear cover in an alternate state
- 1.14 : Right view, with the lower portion of the rear cover in an alternate state
- 1.15 : Top view, with the lower portion of the rear cover in an alternate state
- 1.16 : Bottom view, with the lower portion of the rear cover in an alternate state
- 1.17 : Front perspective view, with the top portion of the cover in an alternate state

(Continued)



- 1.18 : Rear perspective view, with the top portion of the cover in an alternate state
- 1.19 : Front view, with the top portion of the cover in an alternate state
- 1.20 : Rear view, with the top portion of the cover in an alternate state
- 1.21 : Left view, with the top portion of the cover in an alternate state
- 1.22 : Right view, with the top portion of the cover in an alternate state
- 1.23 : Top view, with the top portion of the cover in an alternate state
- 1.24 : Bottom view, with the top portion of the cover in an alternate state

1 Claim, 24 Drawing Sheets

D732,021	S	*	6/2015	Seoc	D14/341
D751,547	S	*	3/2016	Song	D14/341
D754,655	S	*	4/2016	Groene	D14/341
9,405,324	B2	*	8/2016	Rider	G06F 1/3265
D775,125	S	*	12/2016	Yoshihara	D14/341
D782,470	S	*	3/2017	Raken	D14/341
D782,471	S	*	3/2017	Nuk	D14/341
D782,473	S	*	3/2017	Hong	D14/341
D791,140	S	*	7/2017	Nuk	D14/447
D792,393	S	*	7/2017	Akana	D14/341
D798,292	S	*	9/2017	Groene	D14/341
D805,050	S	*	12/2017	Lim	D14/126
D836,579	S	*	12/2018	Gannon	D14/126
D849,701	S	*	5/2019	Lee	D14/126
D871,358	S	*	12/2019	Kim	D14/126
2005/0052831	A1	*	3/2005	Chen	G06F 1/1683 361/679.11
2012/0211613	A1	*	8/2012	Yang	A45C 11/00 248/174

(58) **Field of Classification Search**

USPC D14/125, 126, 127, 128, 129, 132, 134,
D14/203.3, 203.7, 336, 341, 373-377;
D16/229, 235, 241; D21/330
CPC G06F 1/1601; G06F 1/1605; G06F 1/162
See application file for complete search history.

(56) **References Cited**

U.S. PATENT DOCUMENTS

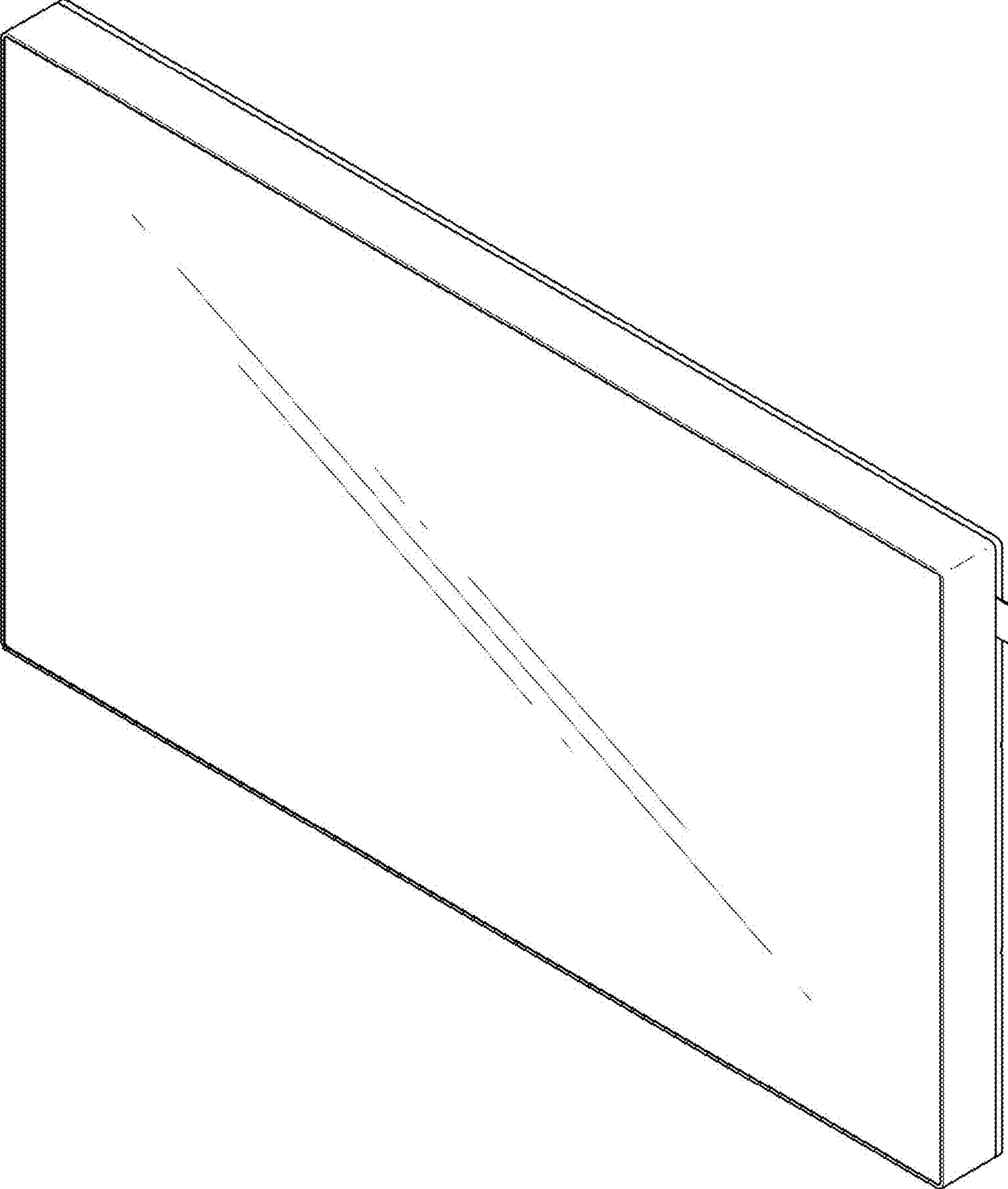
D705,778	S	*	5/2014	Groene	D14/341
D722,051	S	*	2/2015	Inada	D14/341

OTHER PUBLICATIONS

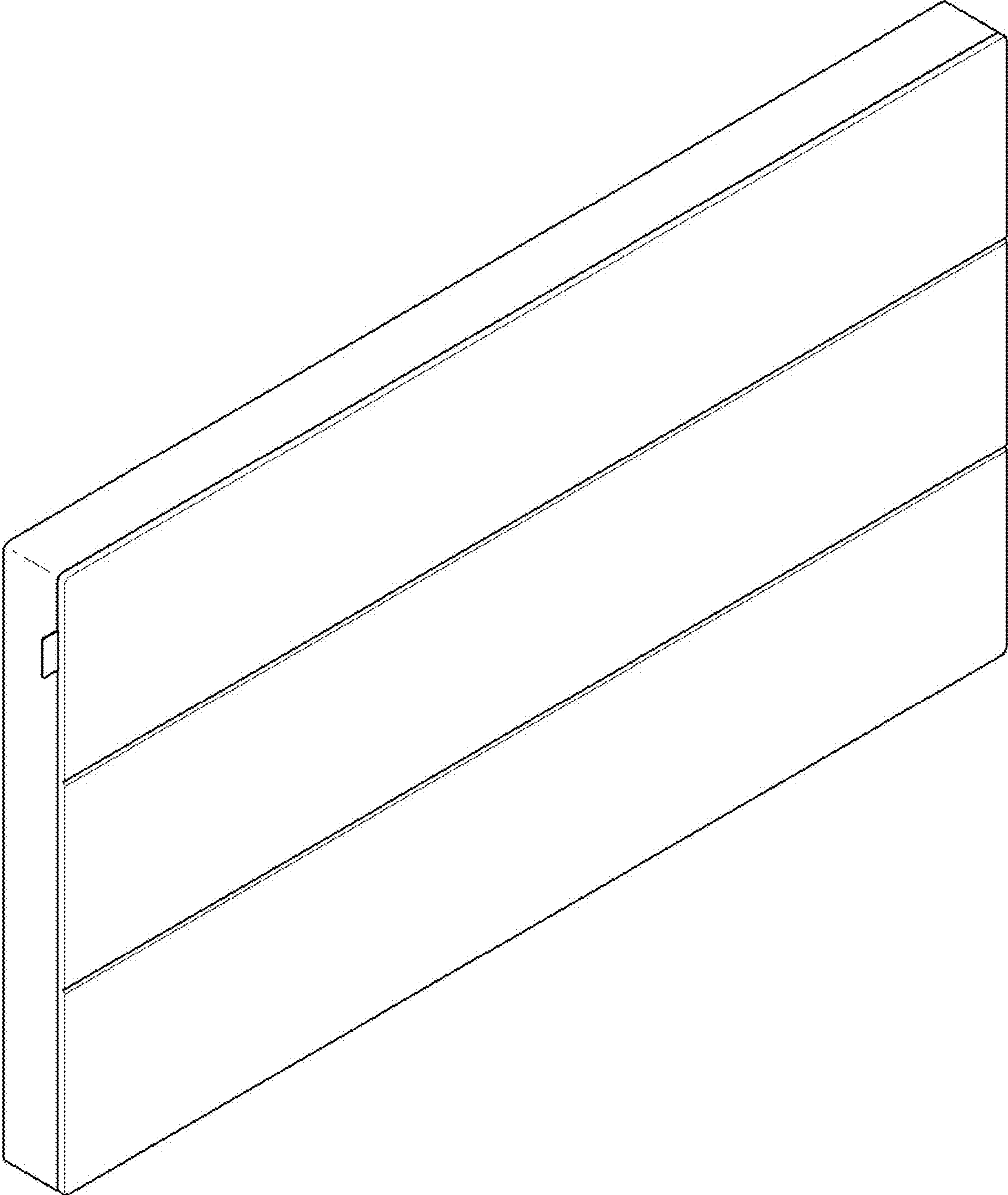
Asus announced portable gaming monitors, ZenScreen Touch and ROG StrixXG17, publicaiton date May 27, 2019, [online][site visited Dec. 15, 2020] URL: <https://www.theverge.com/2019/5/27/18641209/asus-rog-strix-xg17-zenscreen-touch-announced> (Year: 2019).*

* cited by examiner

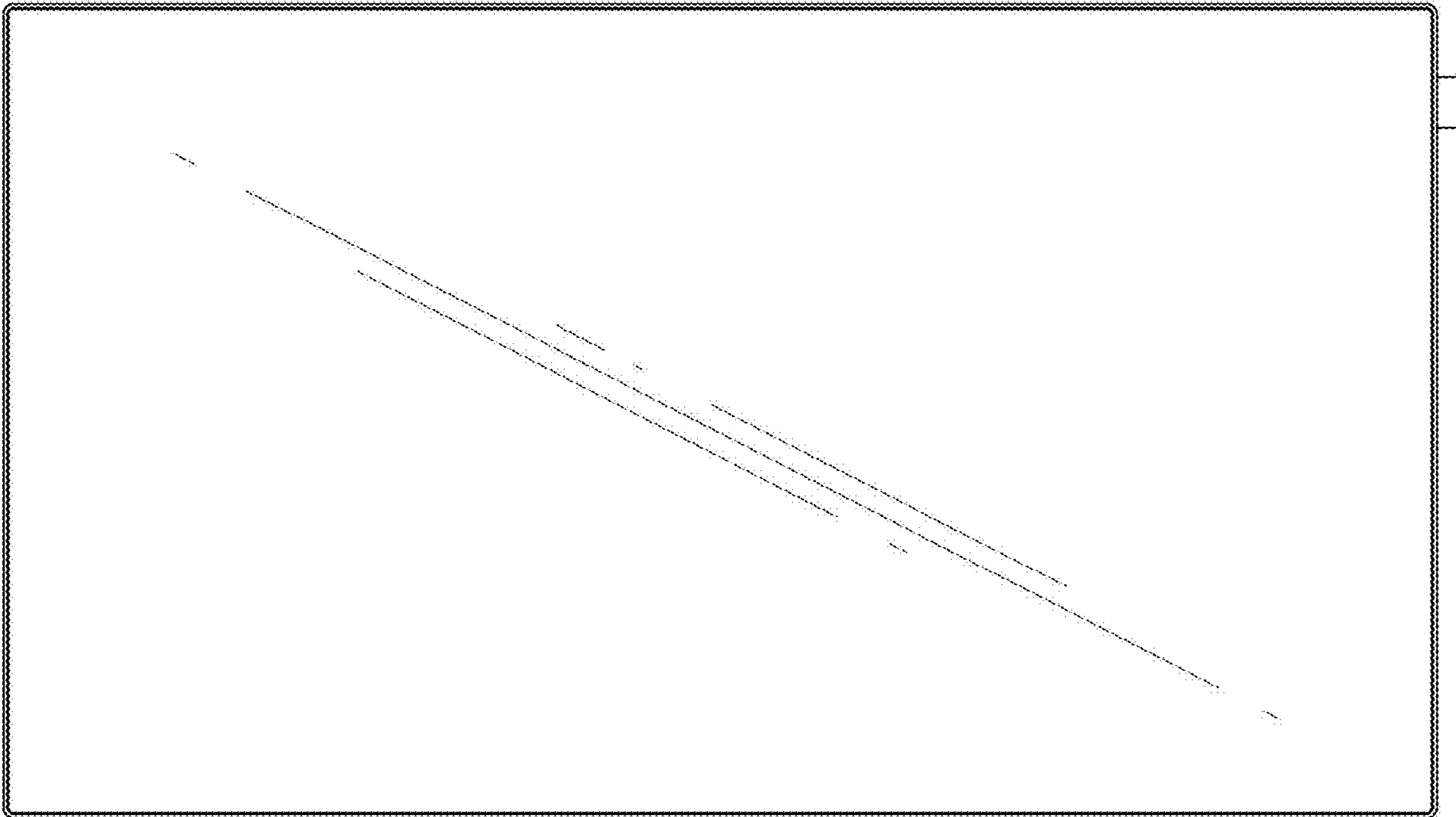
1.1



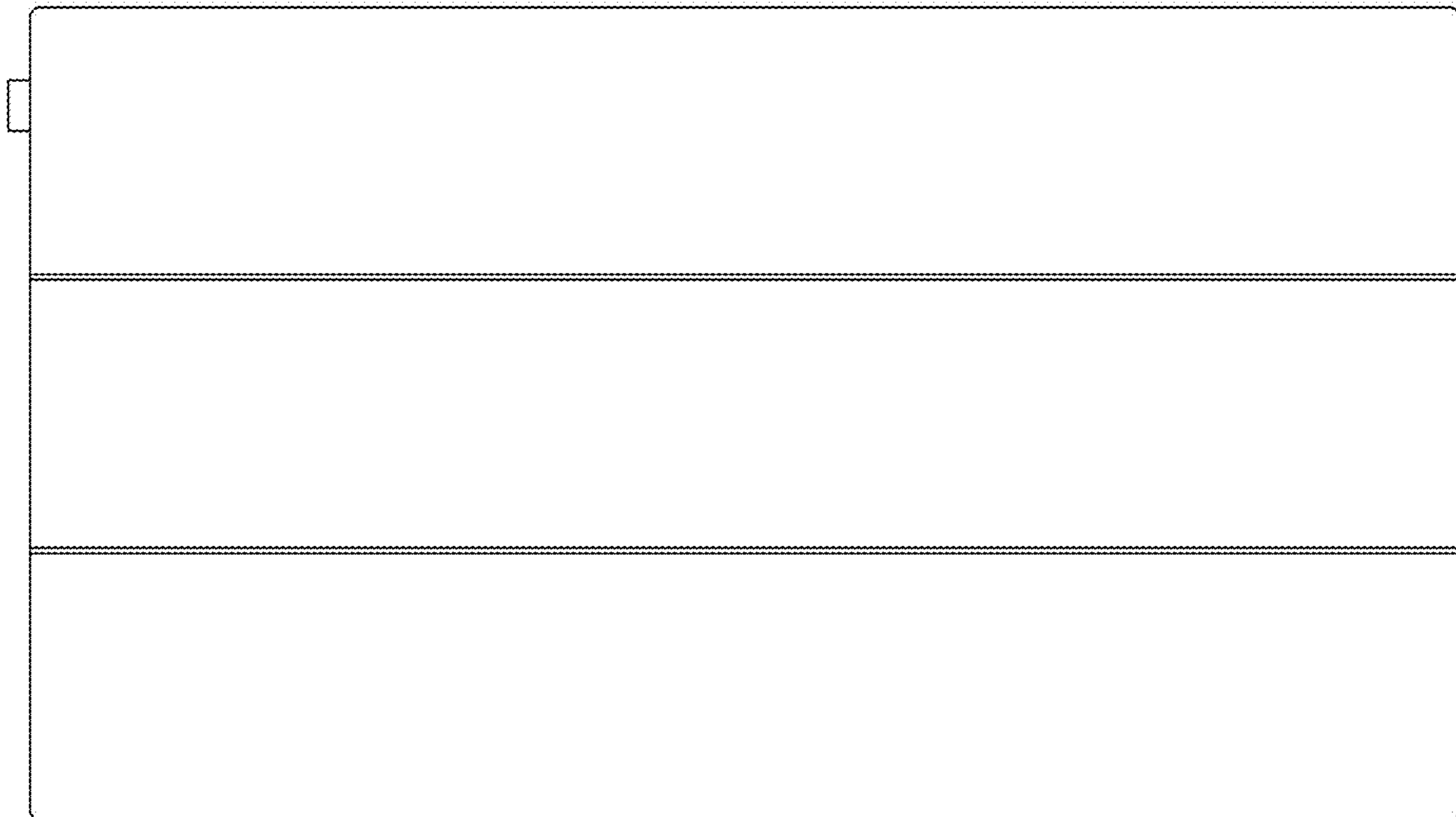
1.2



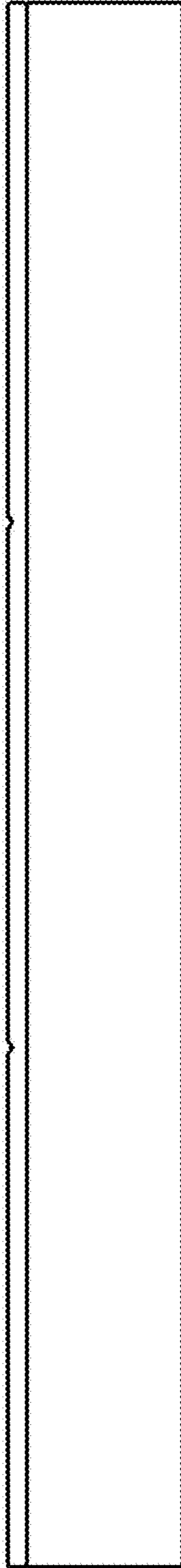
1.3



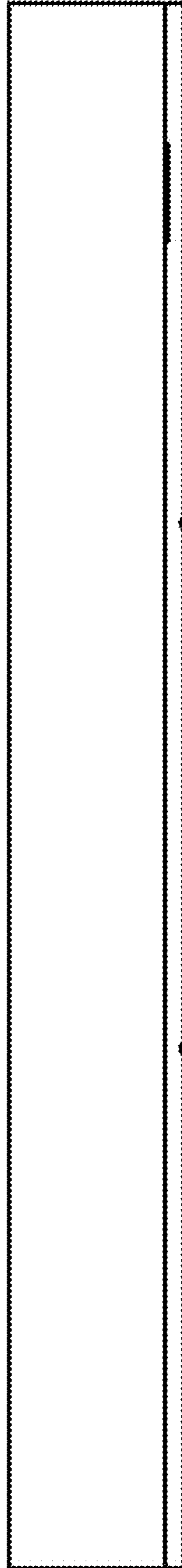
1.4



1.5



1.6



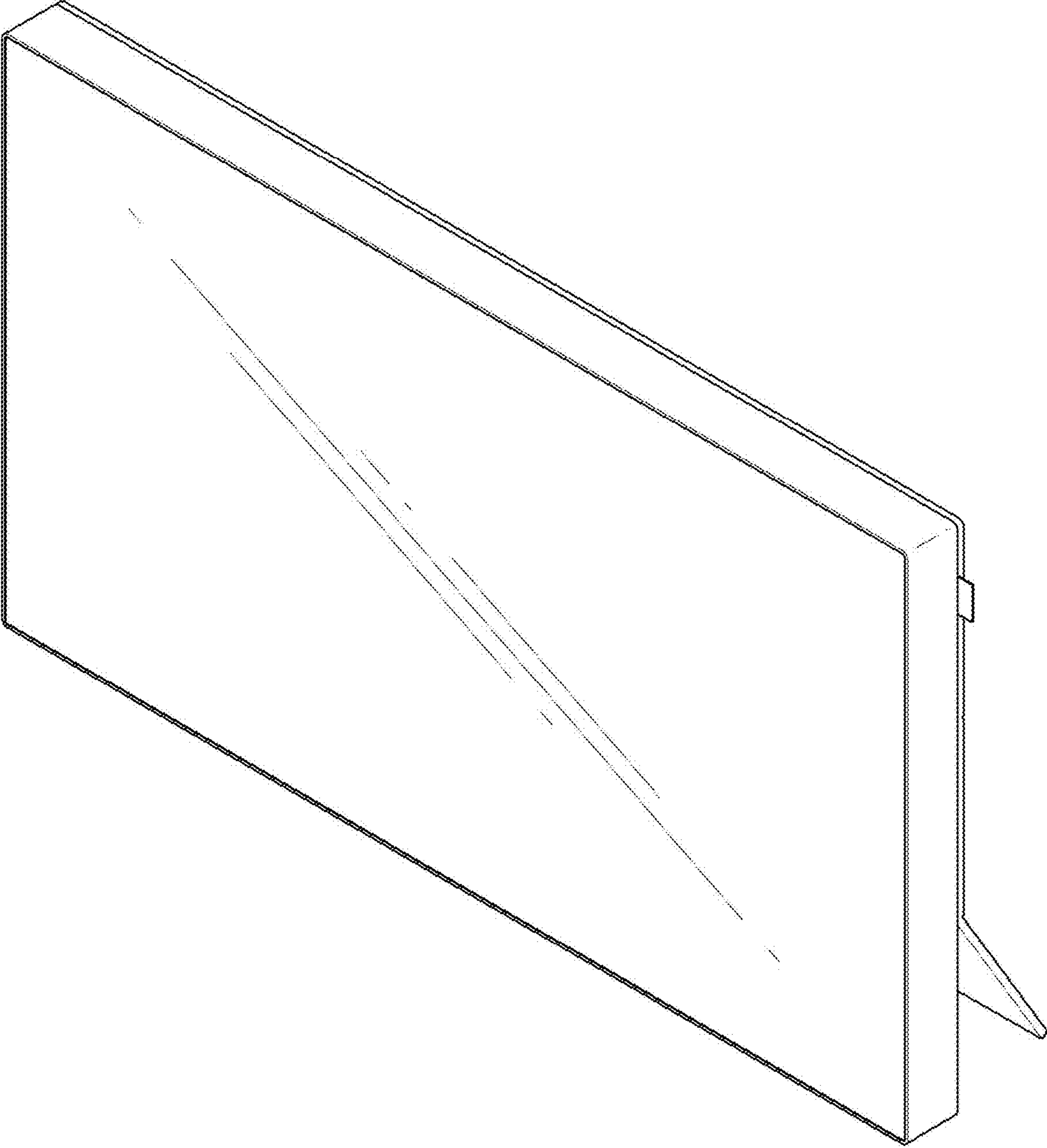
1.7



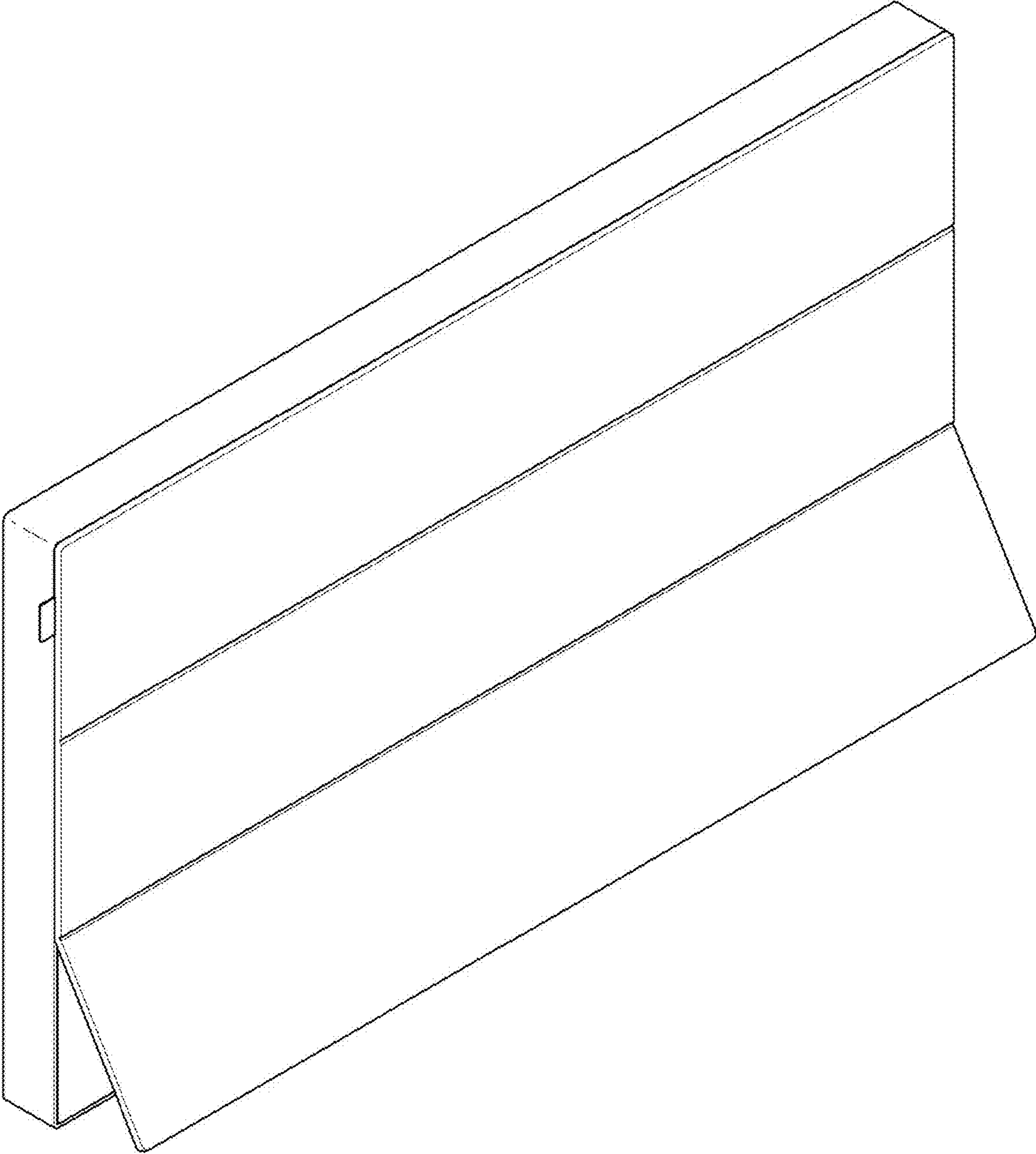
1.8



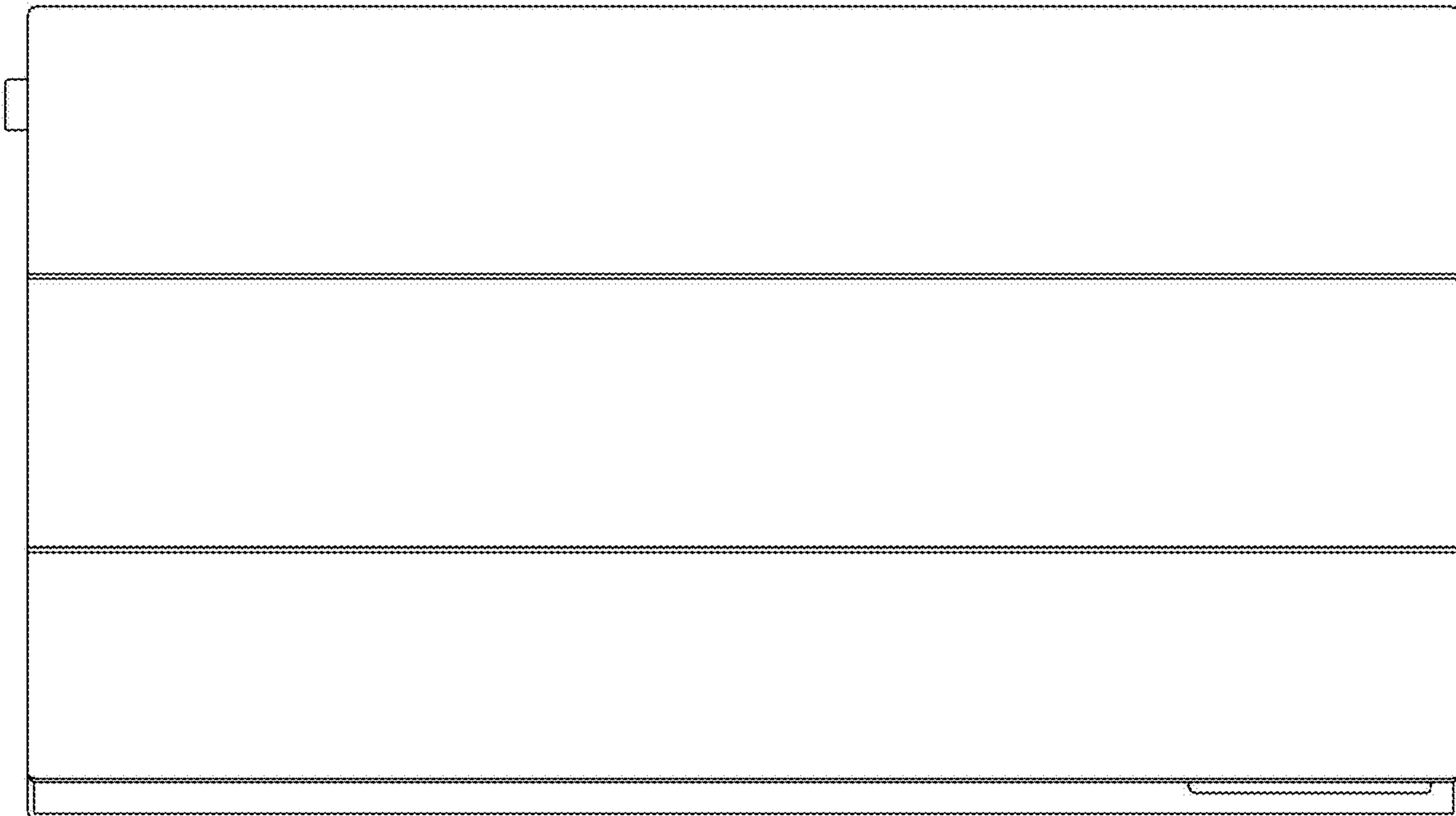
1.9



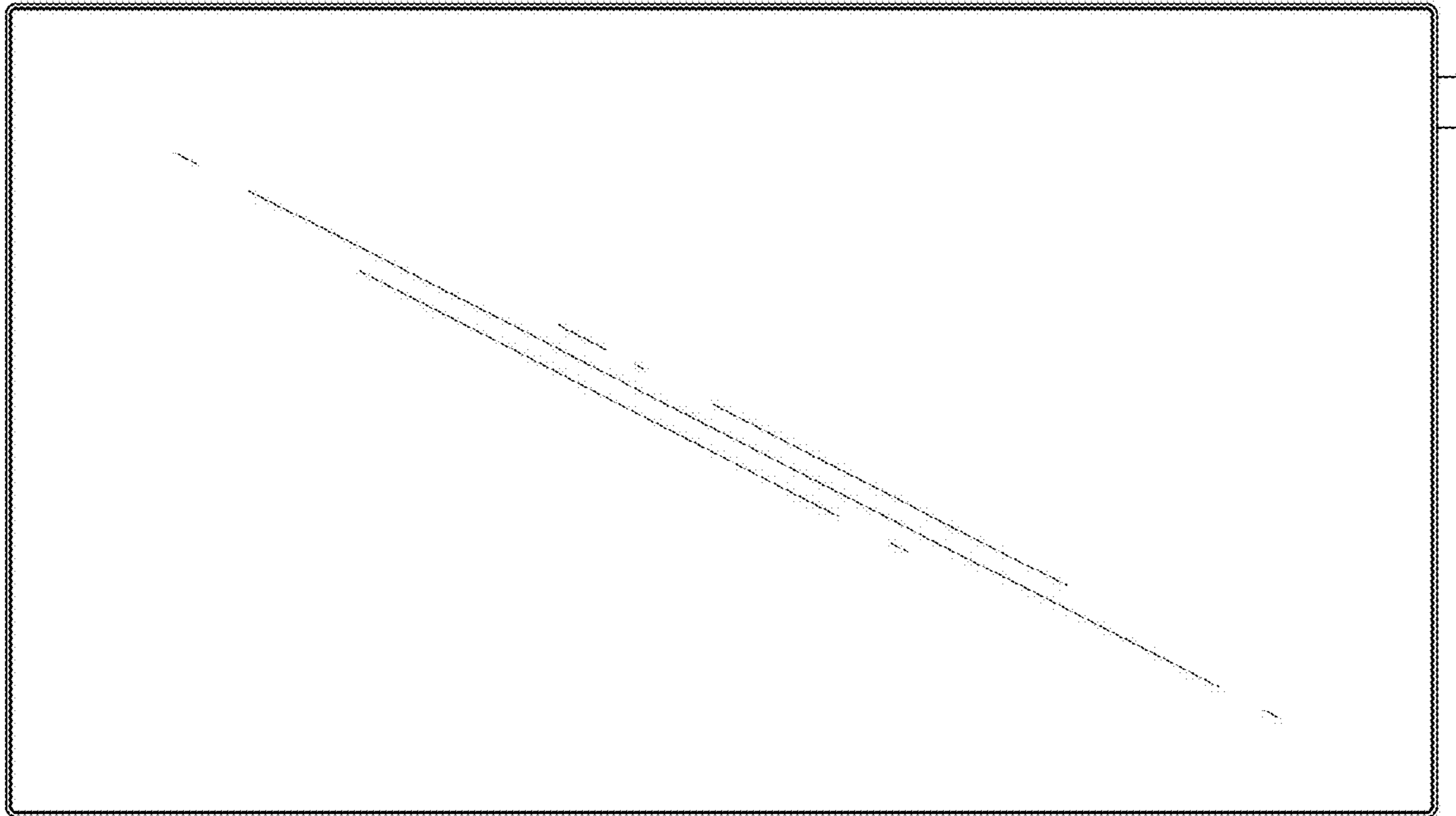
1.10



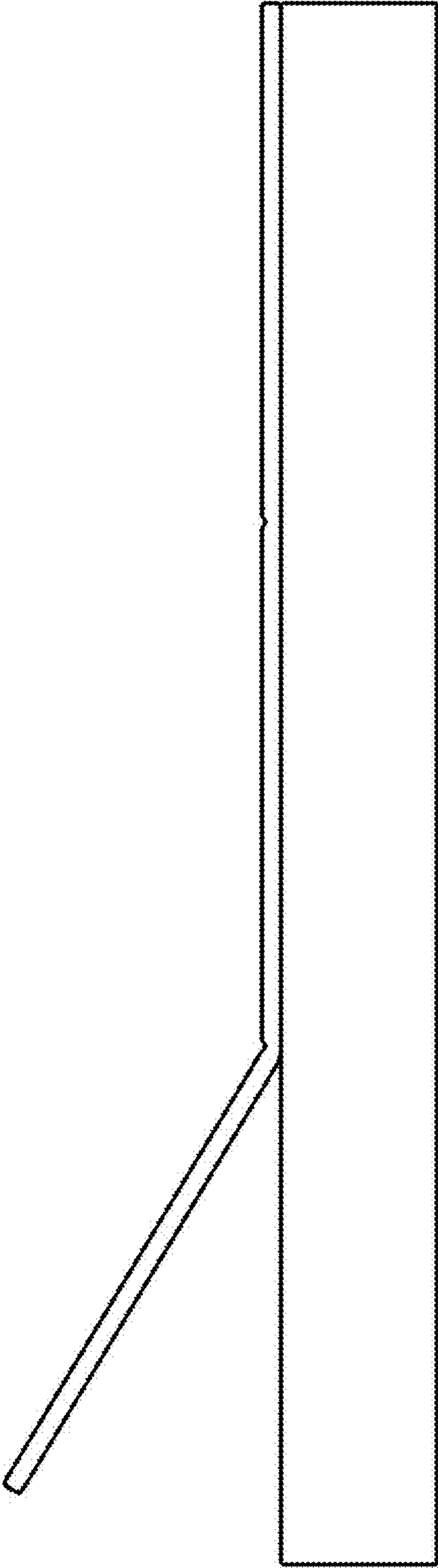
1.11



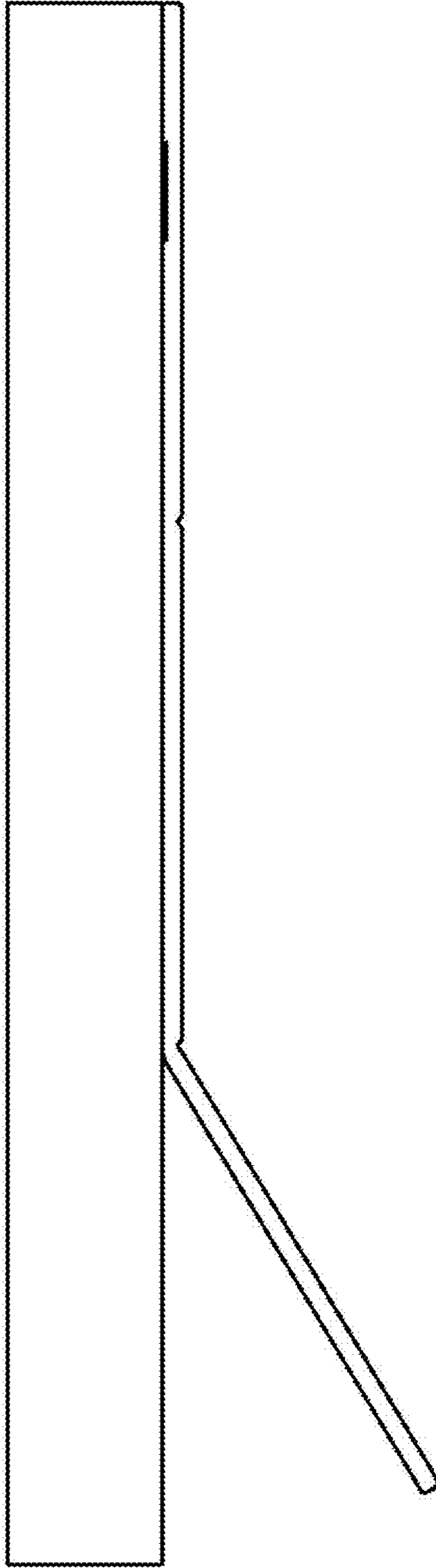
1.12



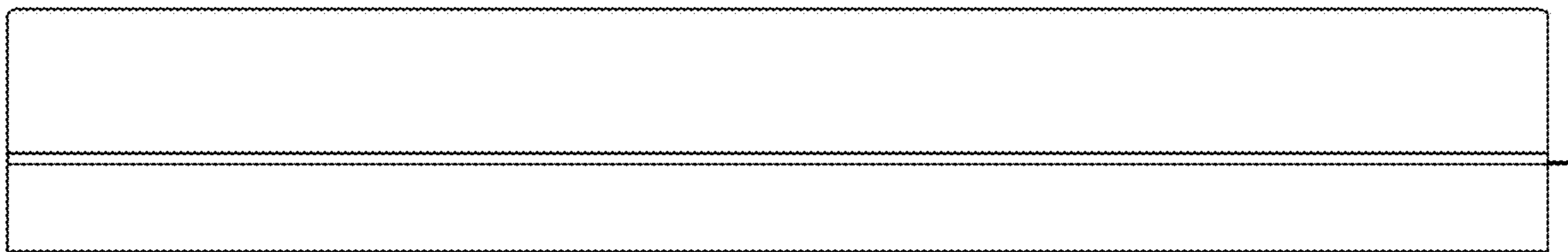
1.13



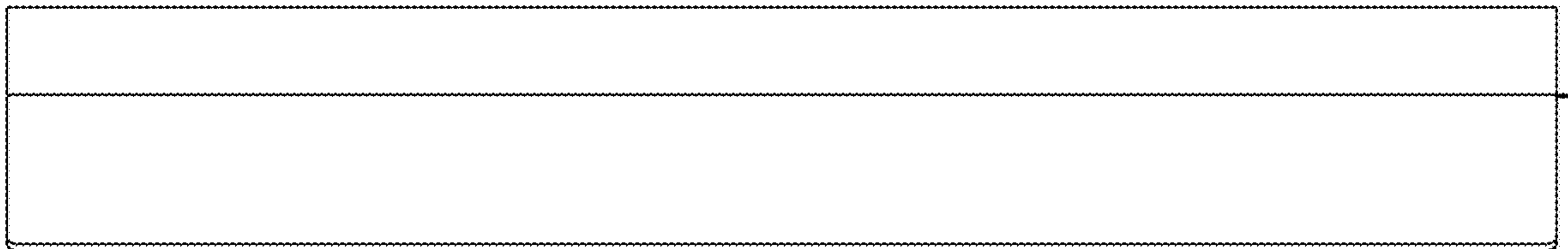
1.14



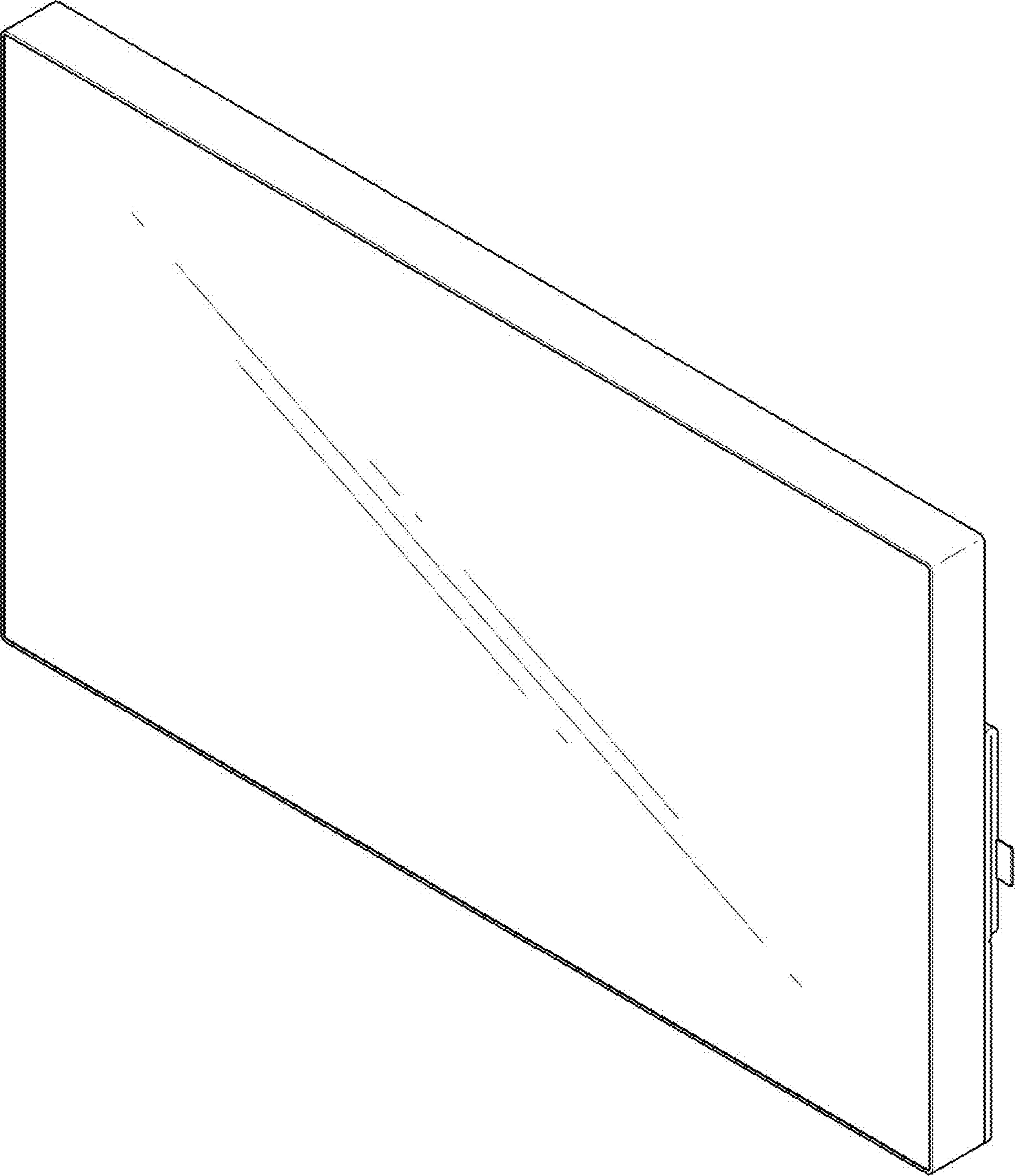
1.15



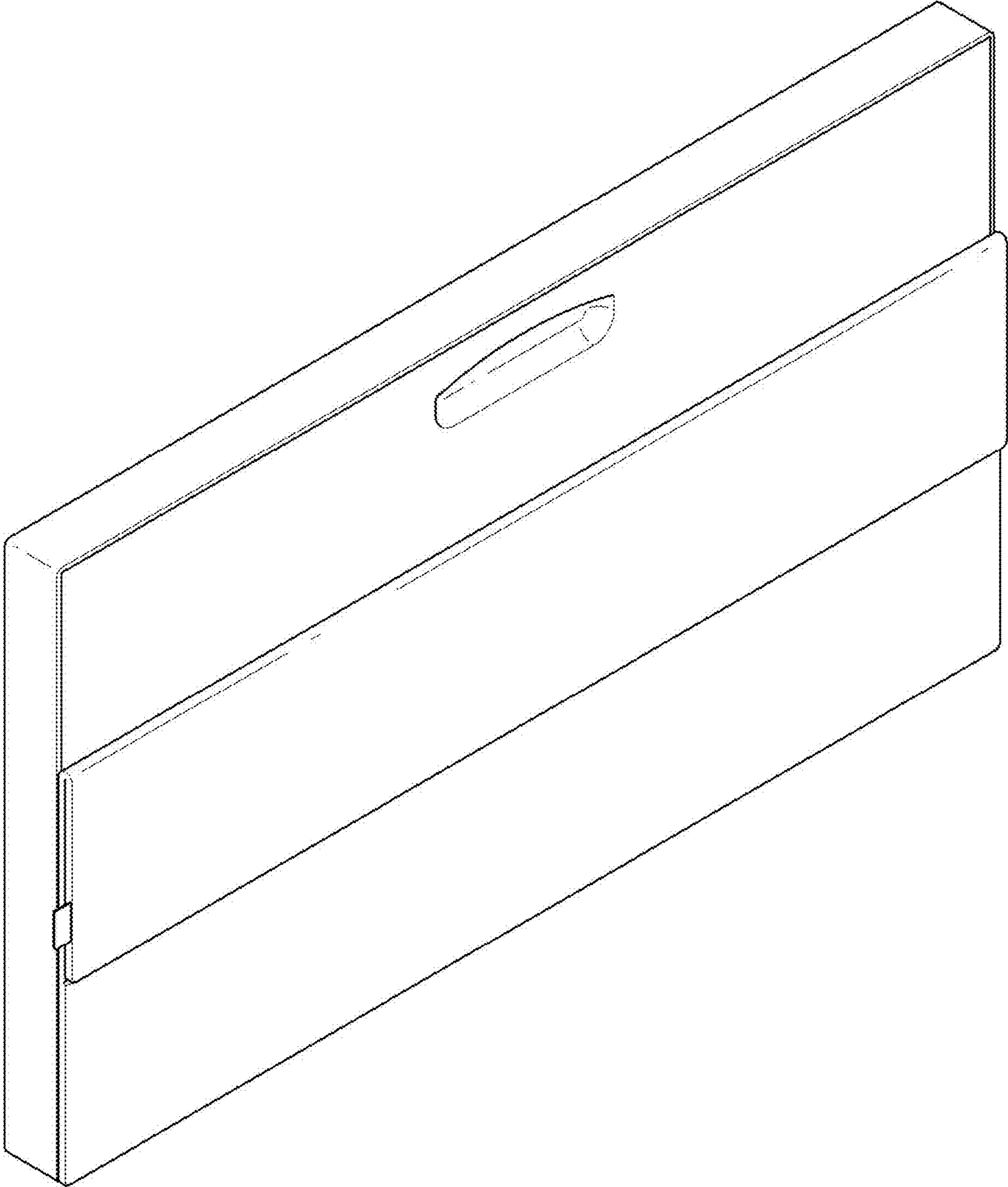
1.16



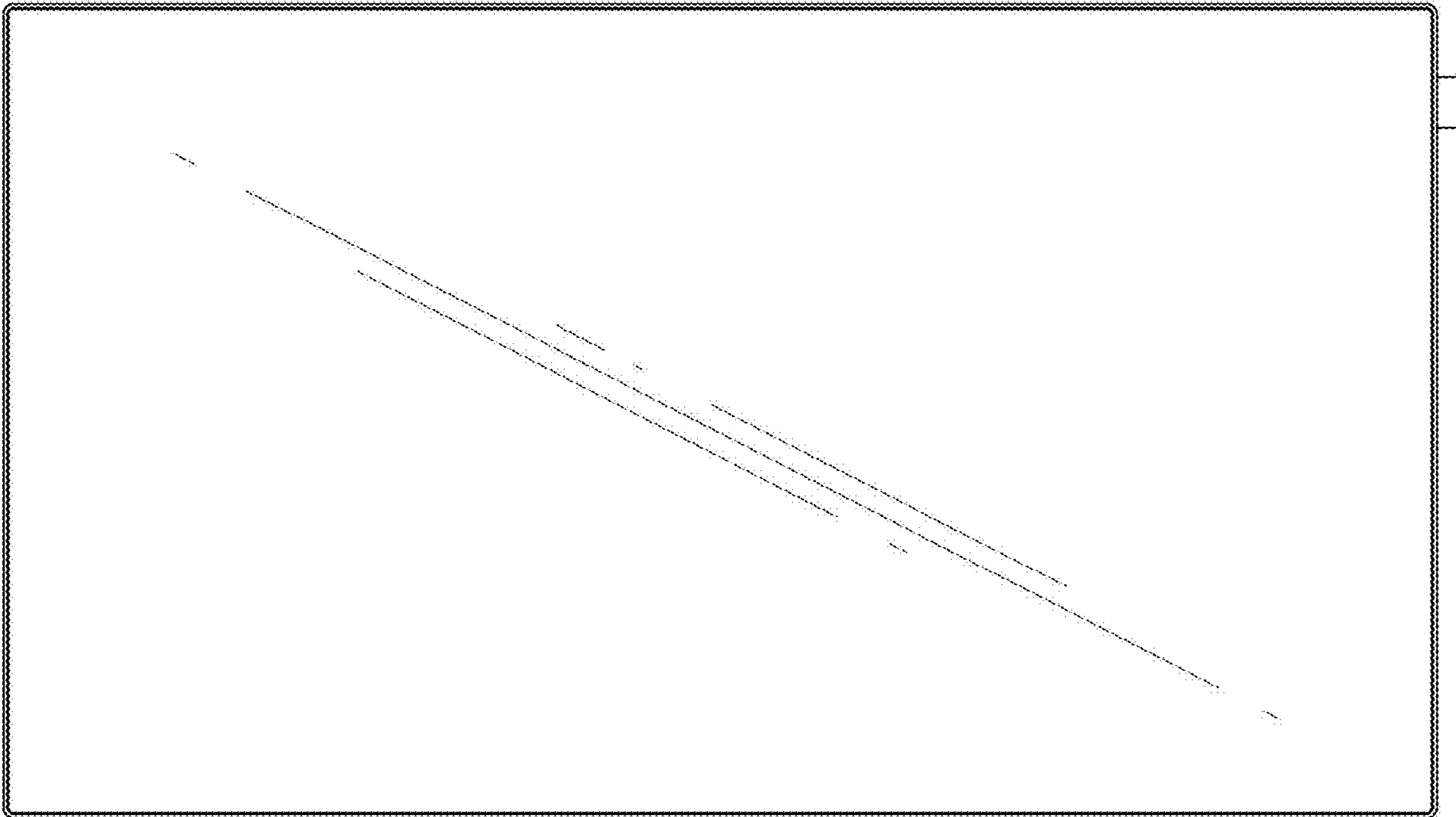
1.17



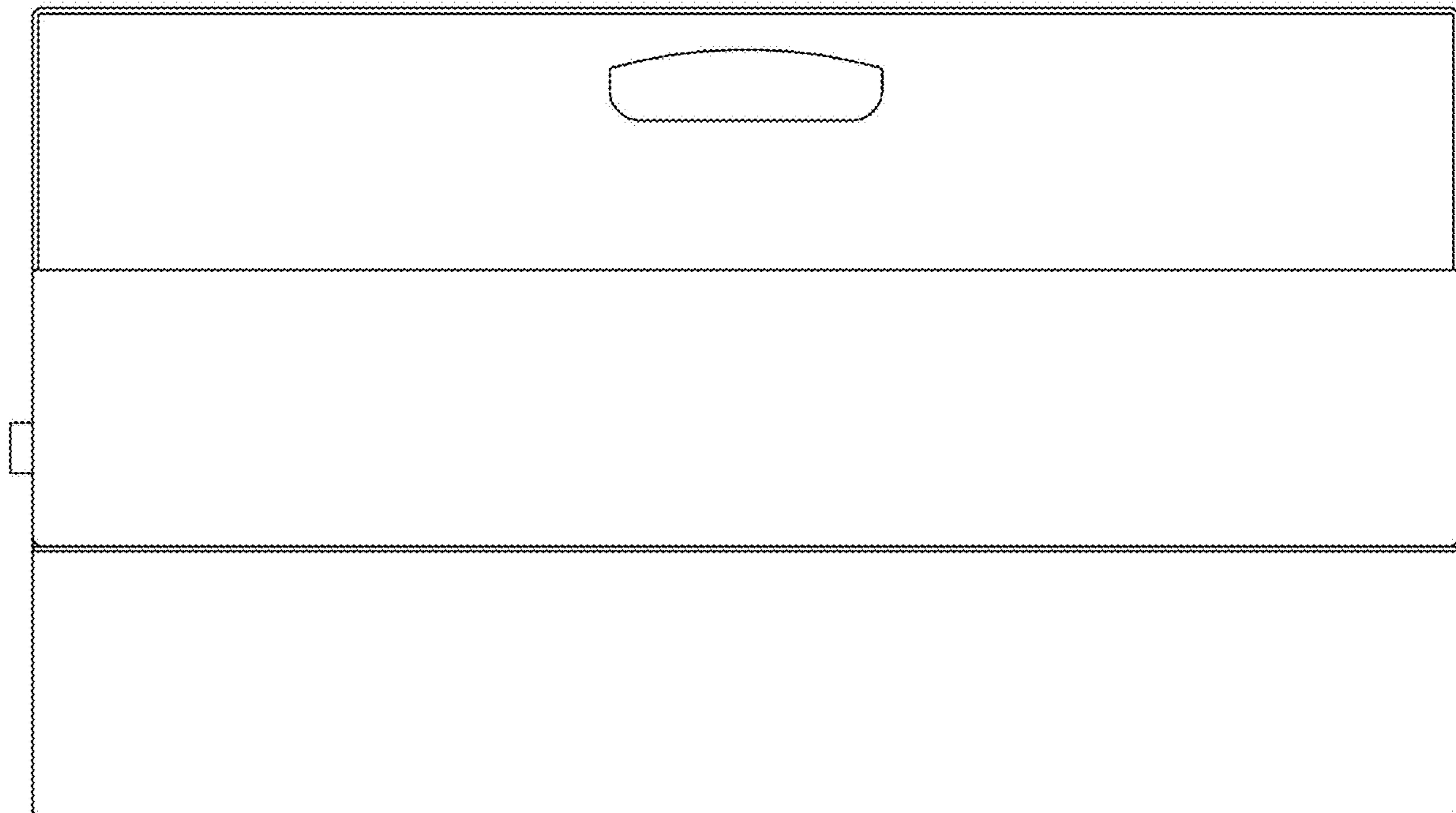
1.18



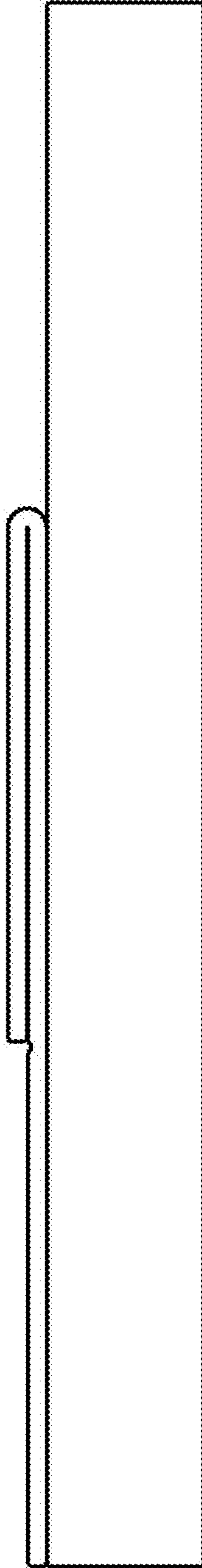
1.19



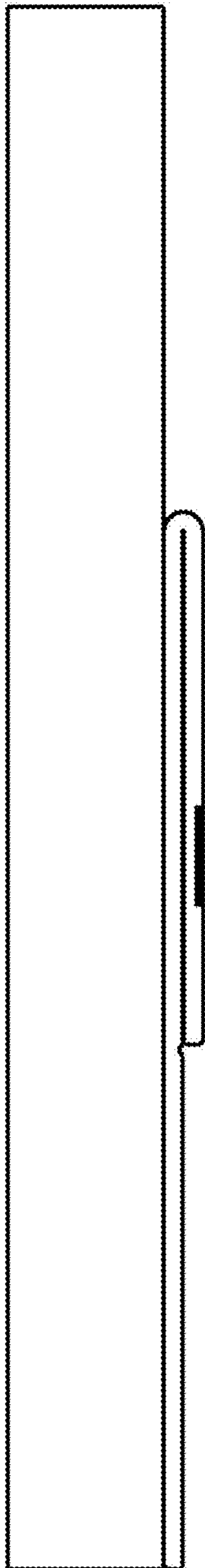
1.20



1.21



1.22



1.23



1.24

