



US00D922971S

(12) **United States Design Patent**
Lim et al.

(10) **Patent No.:** **US D922,971 S**
(45) **Date of Patent:** **** Jun. 22, 2021**

(54) **TELEVISION**
(71) Applicant: **LG ELECTRONICS INC.**, Seoul (KR)
(72) Inventors: **Jaewon Lim**, Seoul (KR); **Yongho Lee**, Seoul (KR)
(73) Assignee: **LG ELECTRONICS INC.**, Seoul (KR)

D774,482 S * 12/2016 Hong D14/126
D785,621 S * 5/2017 Kim D14/374
D808,353 S * 1/2018 Lee D14/126
D817,290 S * 5/2018 Lee D14/126
D826,200 S * 8/2018 Kim D14/126
D826,884 S * 8/2018 Kim D14/126
D830,984 S * 10/2018 Kim D14/126
D830,985 S * 10/2018 Cha D14/126
D835,593 S * 12/2018 Shin D14/126
D836,584 S * 12/2018 Kim D14/126

(**) Term: **15 Years**
(21) Appl. No.: **35/508,075**
(22) Filed: **Jun. 12, 2019**

(80) **Hague Agreement Data**
Int. Filing Date: **Jun. 12, 2019**
Int. Reg. No.: **DM/204023**
Int. Reg. Date: **Jun. 12, 2019**
Int. Reg. Pub. Date: **Dec. 13, 2019**
(51) **LOC (13) Cl.** **14-03**
(52) **U.S. Cl.**
USPC **D14/126; D14/374**
(58) **Field of Classification Search**
USPC D6/300, 308, 310, 642, 643, 650.1,
D6/653.15, 654.15, 657, 661, 675;
D14/125, 126, 127, 128, 129, 132, 336,
D14/341, 373-377; D16/229, 235, 241
CPC G06F 1/1601; G06F 1/1605; G06F 1/162
See application file for complete search history.

(56) **References Cited**
U.S. PATENT DOCUMENTS
D562,788 S * 2/2008 Asanuma D14/126
D566,669 S * 4/2008 Ooshima D14/126
D574,341 S * 8/2008 Kuramashi D14/126
D620,903 S * 8/2010 Song D14/126
D733,671 S * 7/2015 Lu D14/126
D766,860 S * 9/2016 Won D14/126

OTHER PUBLICATIONS

LG 27in HDR Monitor, earliest photo accompanied review date Apr. 21, 2018, [online][site visited Nov. 17, 2020] URL: <https://www.amazon.in/LG-inch-68-58-Gaming-Monitor/dp/B078GRM2MV> (Year: 2018).*

* cited by examiner

Primary Examiner — L. A. Grabenstetter
(74) *Attorney, Agent, or Firm* — Birch, Stewart, Kolasch & Birch, LLP

(57) **CLAIM**

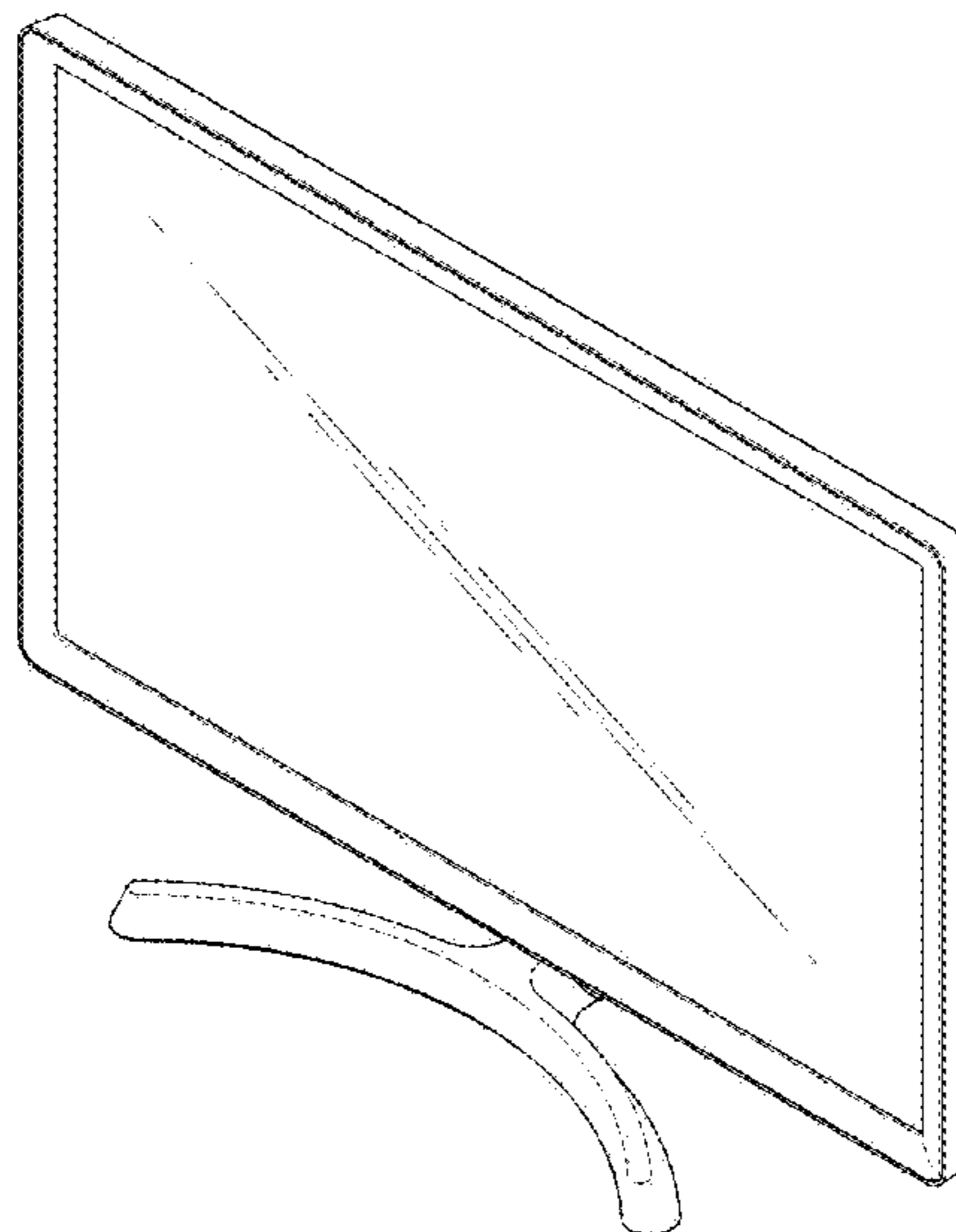
The ornamental design for a television, as shown and described.

DESCRIPTION

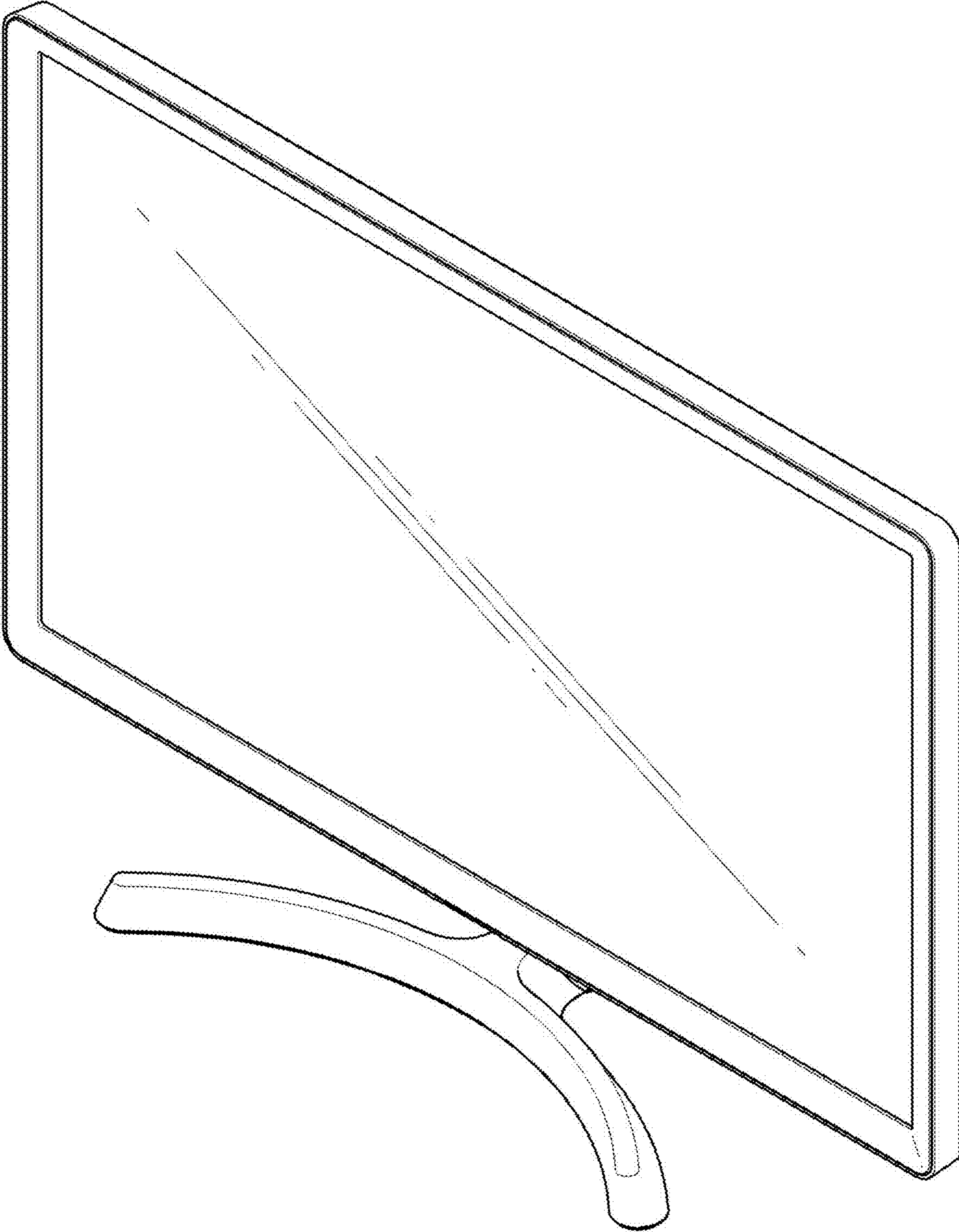
- 1. Television
- 1.1 : Front perspective view
- 1.2 : Rear perspective view
- 1.3 : Front view
- 1.4 : Rear view
- 1.5 : Left view
- 1.6 : Right view
- 1.7 : Top view
- 1.8 : Bottom view

The broken lines, and regions bounded on all sides by broken lines, represent portions of the article that form no part of the claimed design.

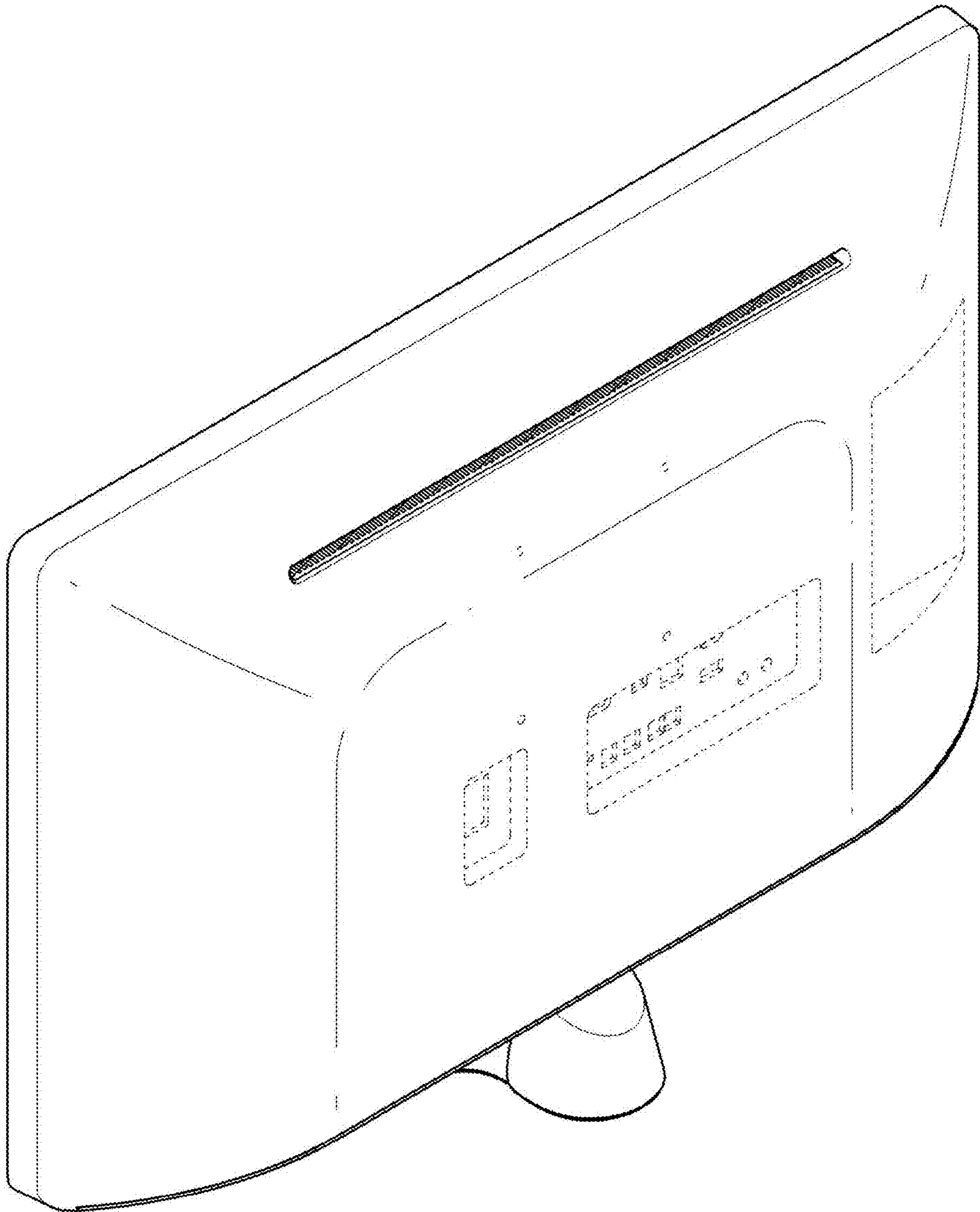
1 Claim, 8 Drawing Sheets



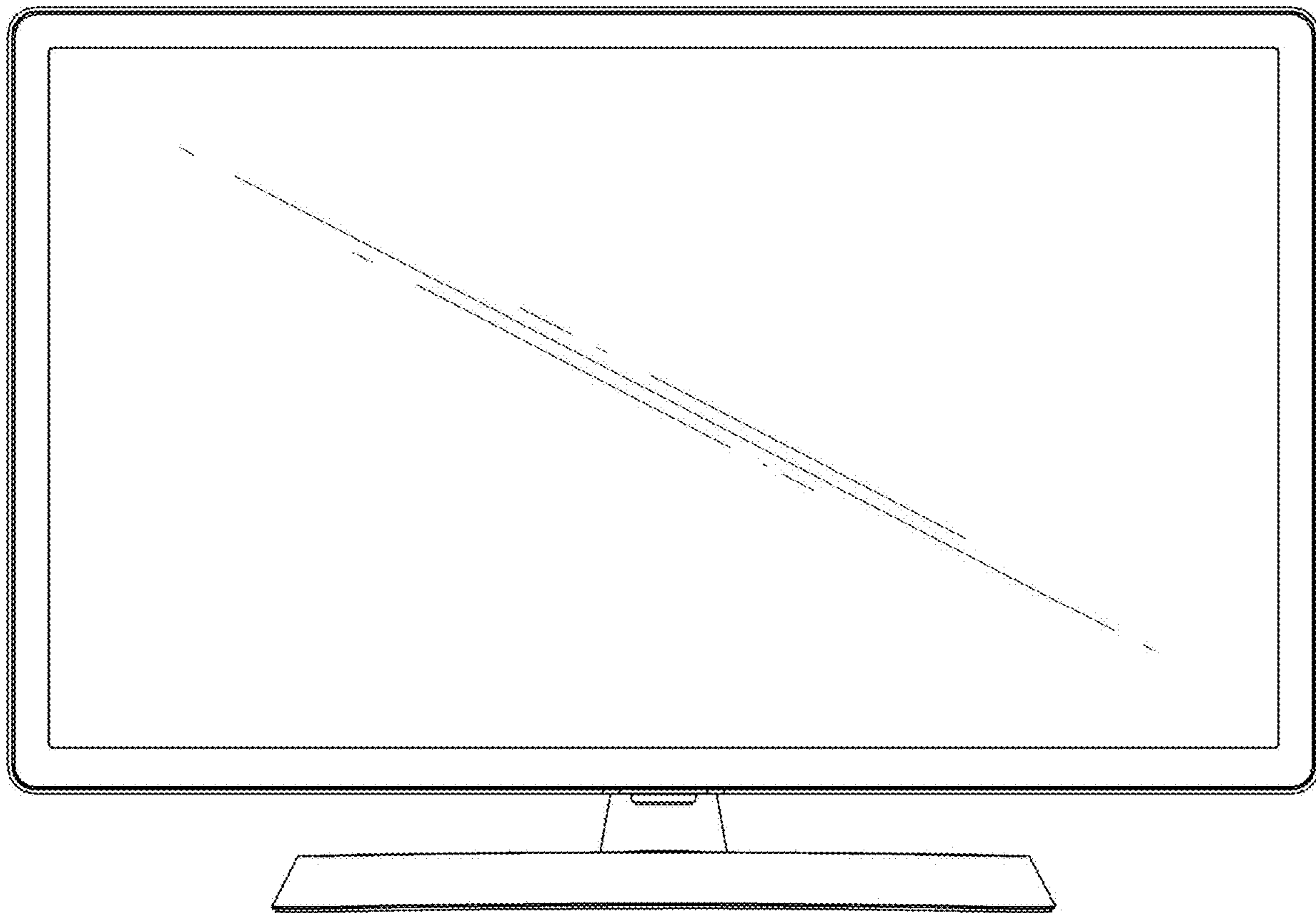
1.1



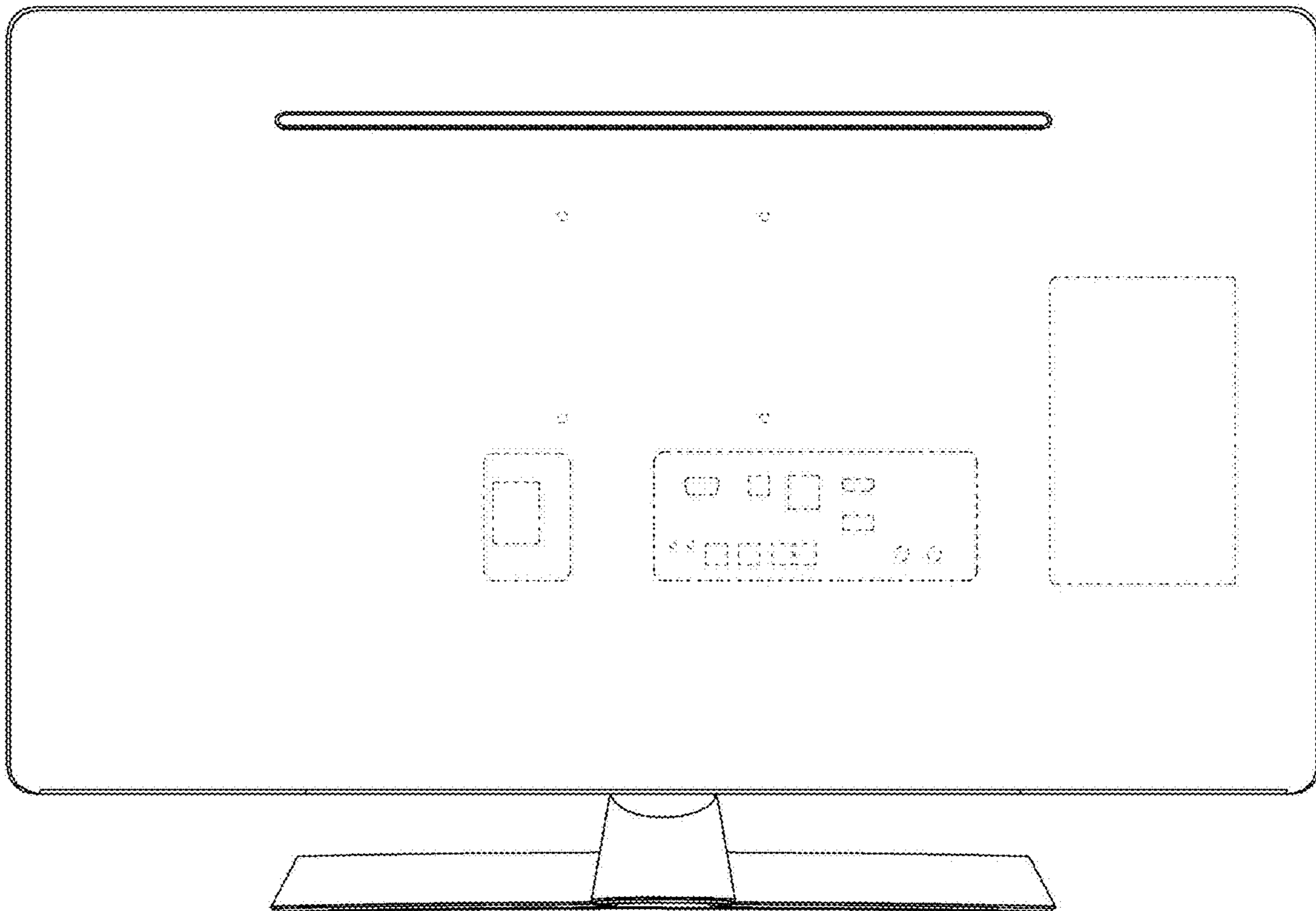
1.2



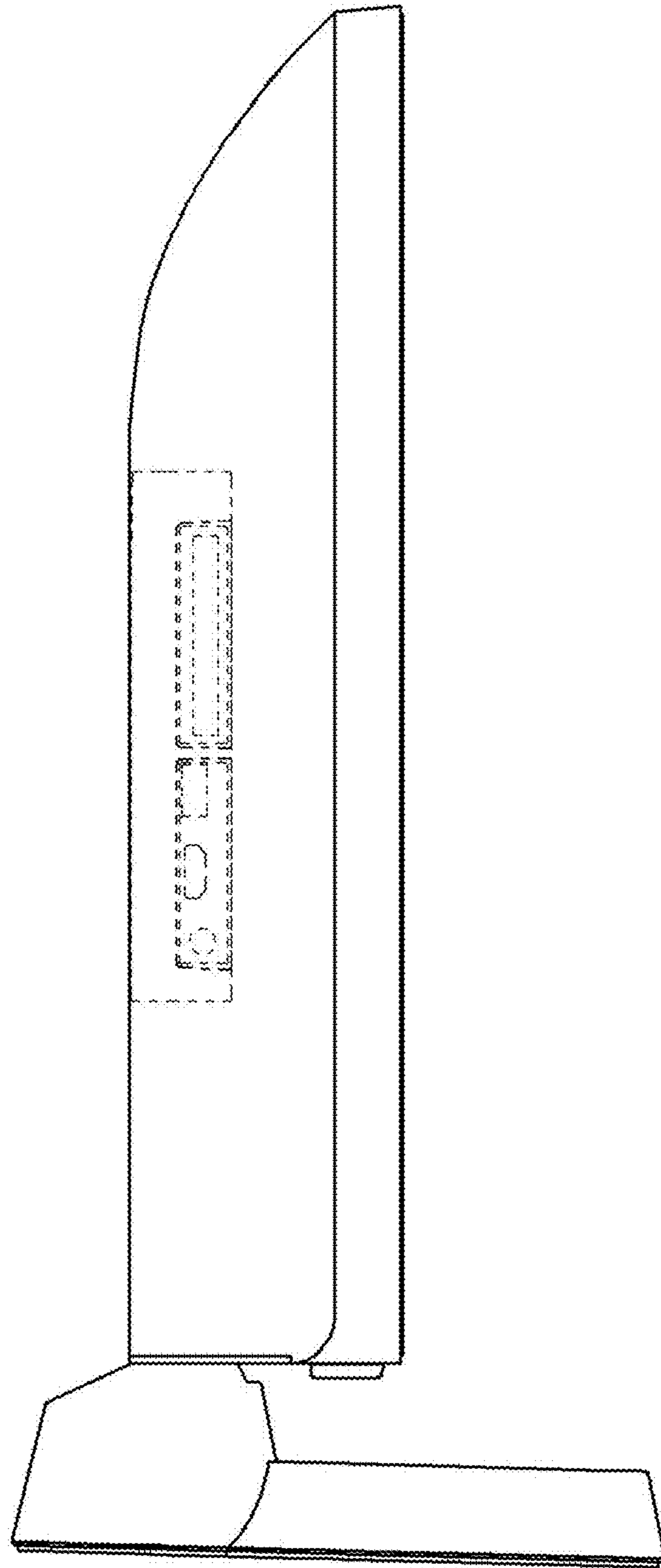
1.3



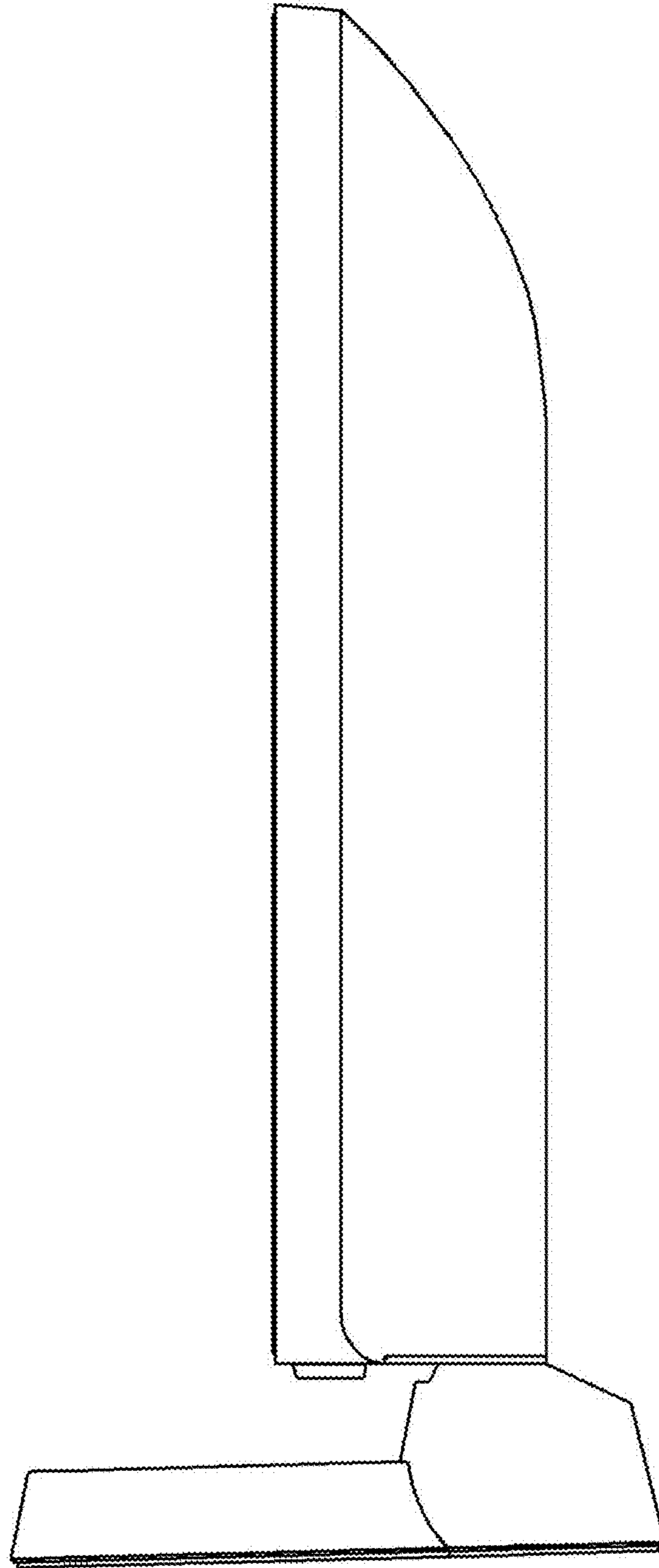
1.4



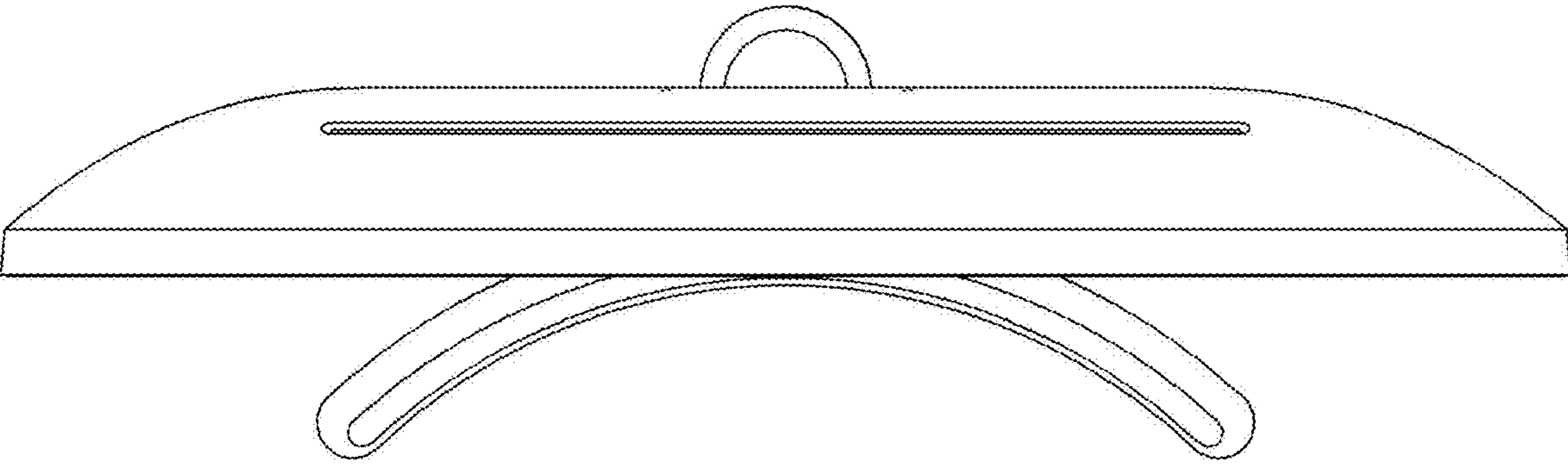
1.5



1.6



1.7



1.8

