



US00D922970S

(12) **United States Design Patent**
Saito

(10) **Patent No.:** **US D922,970 S**
(45) **Date of Patent:** **** Jun. 22, 2021**

(54) **SEMICONDUCTOR DEVICE**
(71) Applicant: **ROHM CO., LTD.**, Kyoto (JP)
(72) Inventor: **Koshun Saito**, Kyoto (JP)
(73) Assignee: **ROHM CO., LTD.**, Kyoto (JP)
(**) Term: **15 Years**
(21) Appl. No.: **29/731,618**

4,951,124 A * 8/1990 Sawaya H05K 3/308
257/692
5,459,350 A * 10/1995 Date H01L 23/495
257/666
5,512,784 A * 4/1996 Fried H01L 23/49562
257/658
5,563,441 A * 10/1996 Kato H01L 23/49548
257/666
D396,846 S * 8/1998 Nakayama D13/182
D396,847 S * 8/1998 Nakayama D13/182
(Continued)

(22) Filed: **Apr. 16, 2020**
(30) **Foreign Application Priority Data**

Oct. 28, 2019 (JP) 2019-023879
(51) **LOC (13) Cl.** **13-03**
(52) **U.S. Cl.**
USPC **D13/182**
(58) **Field of Classification Search**
USPC D13/182
CPC H01L 21/00; H01L 21/02; H01L 21/4814;
H01L 21/4846; H01L 21/4871; H01L
21/67144; H01L 2224/42; H01L 2224/43;
H01L 2224/01; H01L 2224/08055; H01L
2224/08054; H01L 23/12; H01L 23/13;
H01L 23/14; H01L 23/147; H01L 23/00;
H01L 23/48; H01L 23/4926; H01L
23/495; H01L 23/49517; H01L 23/498;
H01L 23/49805; H01L 23/49811; H01L
23/49861; H01L 23/49866; H01L
23/49872; H01L 23/49575; H01L
23/49579; H01L 2924/171; H01L
2924/1711; H01L 2924/1715; H01L
2924/181; H01L 2924/1811; H01L
2924/1815; H01L 2924/19042; H01L
2924/1905
See application file for complete search history.

(56) **References Cited**
U.S. PATENT DOCUMENTS
D202,271 S * 9/1965 Wule D13/182
4,346,396 A * 8/1982 Carroll, II H01L 21/50
257/674

OTHER PUBLICATIONS

Ex parte Quayle Office Action issued for U.S. Appl. No. 29/731,623, dated Mar. 3, 2021, 11 pages.

Primary Examiner — Elizabeth J Oswecki
(74) *Attorney, Agent, or Firm* — Hamre, Schumann,
Mueller & Larson, P.C.

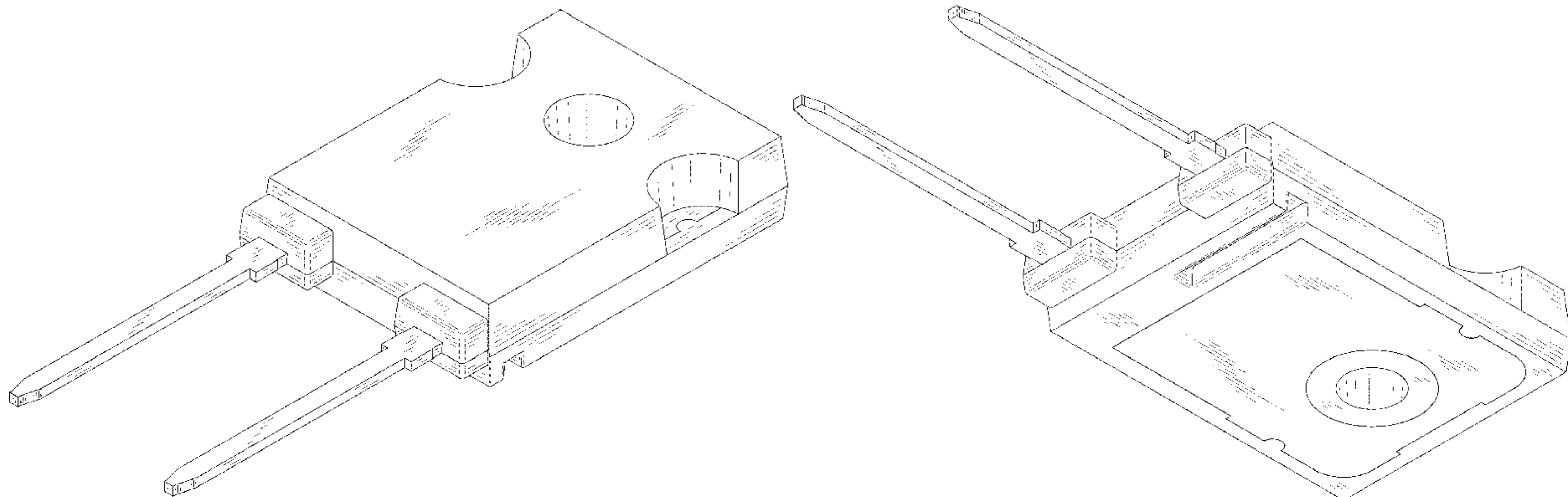
(57) **CLAIM**

The ornamental design for a semiconductor device, as shown and described.

DESCRIPTION

FIG. 1 is a front, top and left side perspective view of a semiconductor device showing my new design;
FIG. 2 is a front, bottom and left side perspective view thereof;
FIG. 3 is a front view thereof;
FIG. 4 is a rear view thereof;
FIG. 5 is a top plan view thereof;
FIG. 6 is a bottom plan view thereof;
FIG. 7 is a right side view thereof;
FIG. 8 is a left side view thereof; and,
FIG. 9 is a cross-sectional view taken along line 9-9 in FIG. 5.

1 Claim, 9 Drawing Sheets



(56)

References Cited

U.S. PATENT DOCUMENTS

D420,983 S * 2/2000 Choi D13/182
6,100,580 A * 8/2000 Murakami H01L 25/105
257/666
6,362,517 B1 * 3/2002 Bell H01L 23/3107
257/666
6,404,065 B1 * 6/2002 Choi H01L 23/49562
257/782
D489,695 S * 5/2004 Komoto D13/182
D515,520 S * 2/2006 Komoto D13/182
D729,250 S 5/2015 Han
D730,911 S 6/2015 Lim et al.
D736,213 S 8/2015 Kang et al.
D736,216 S 8/2015 Kang et al.
D769,832 S 10/2016 Domon
D822,629 S 7/2018 Kimura et al.
D874,412 S 2/2020 Kanda et al.
D901,405 S 11/2020 Saito et al.
D906,273 S 12/2020 Majima et al.

* cited by examiner

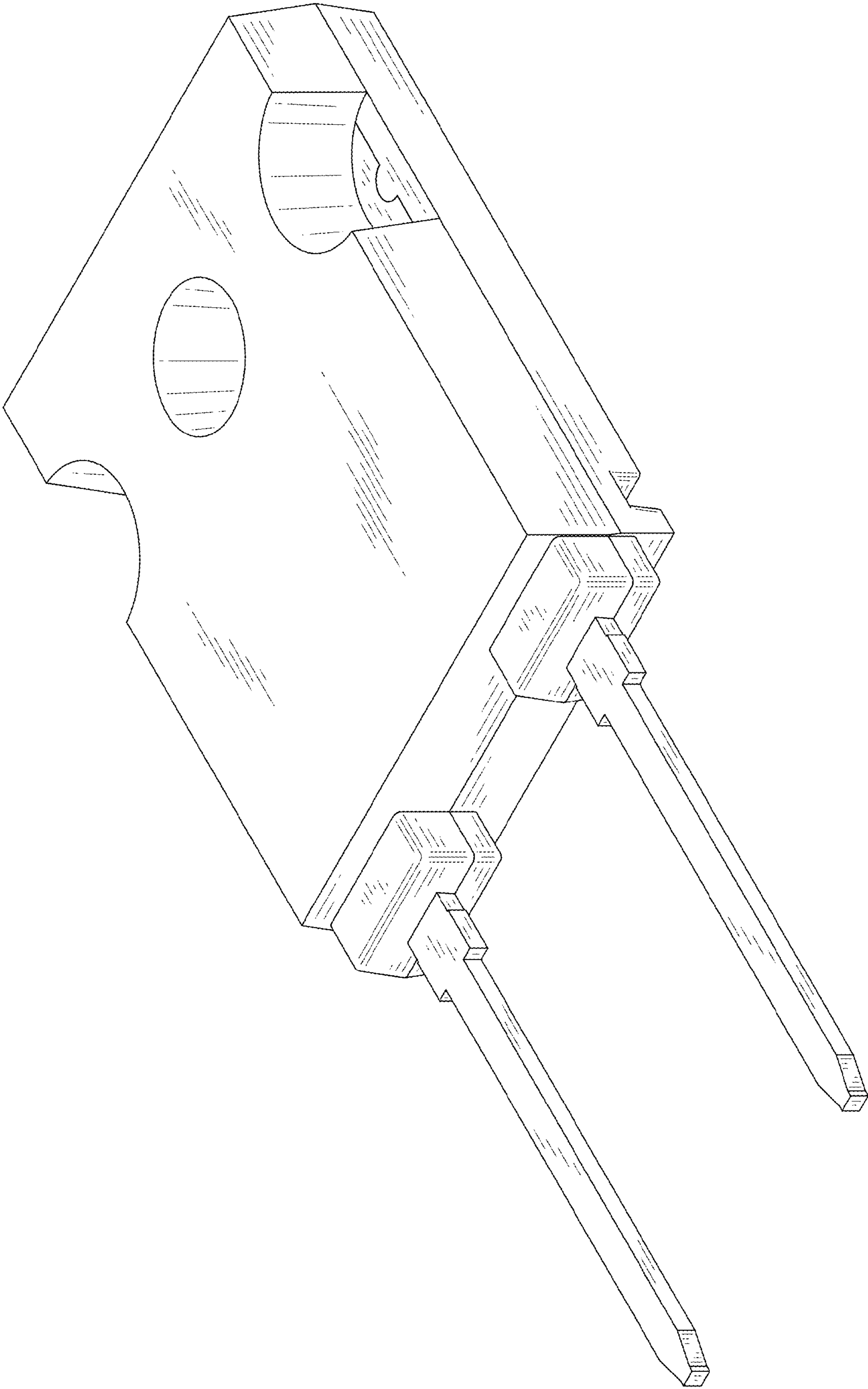


FIG.1

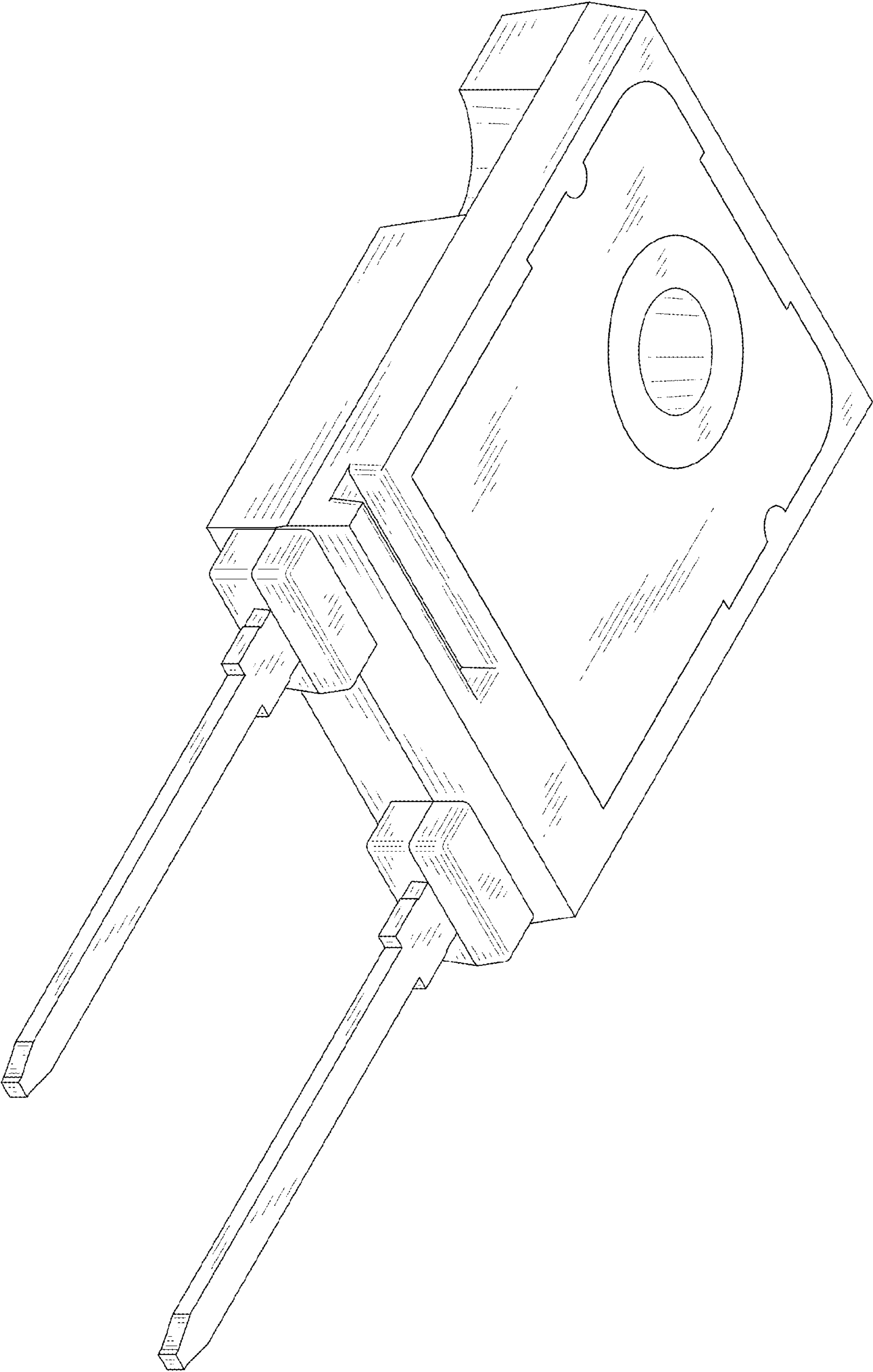


FIG.2

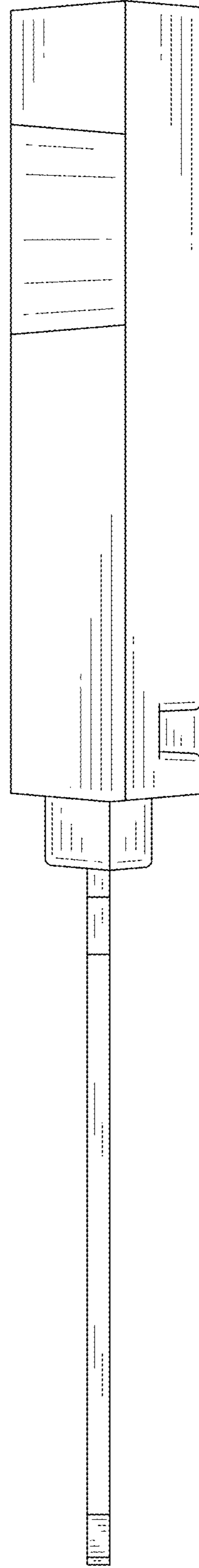


FIG.3

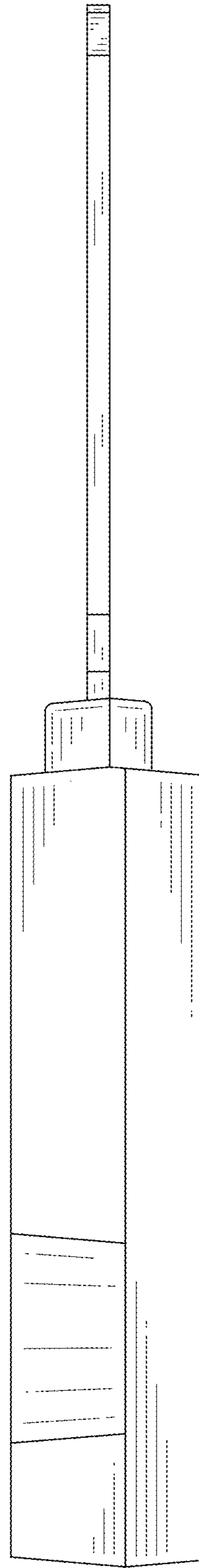


FIG.4

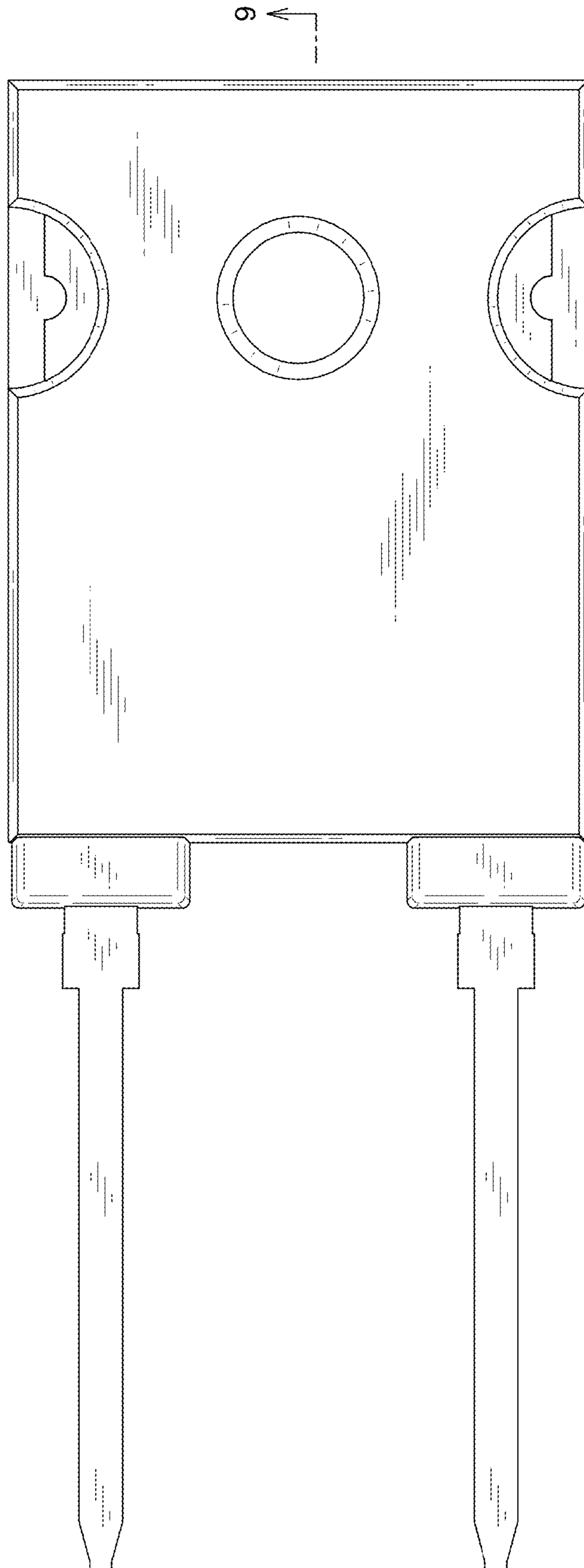


FIG.5

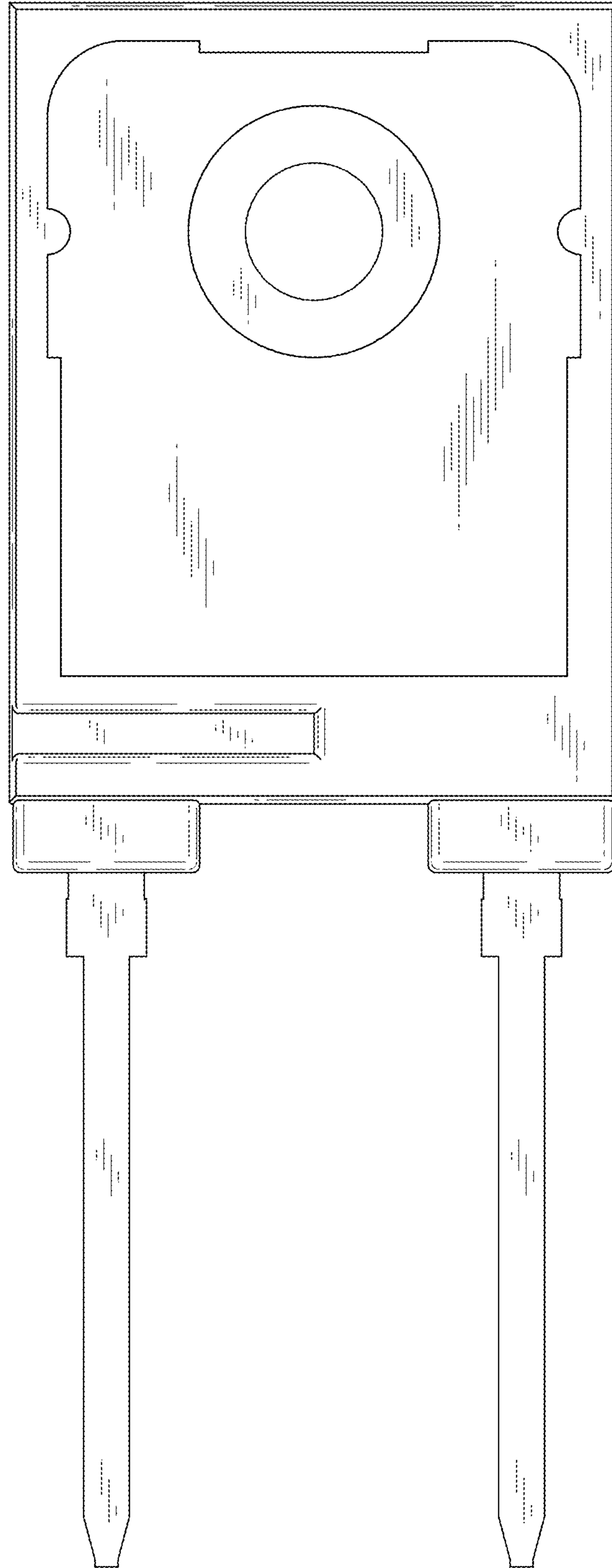


FIG.6

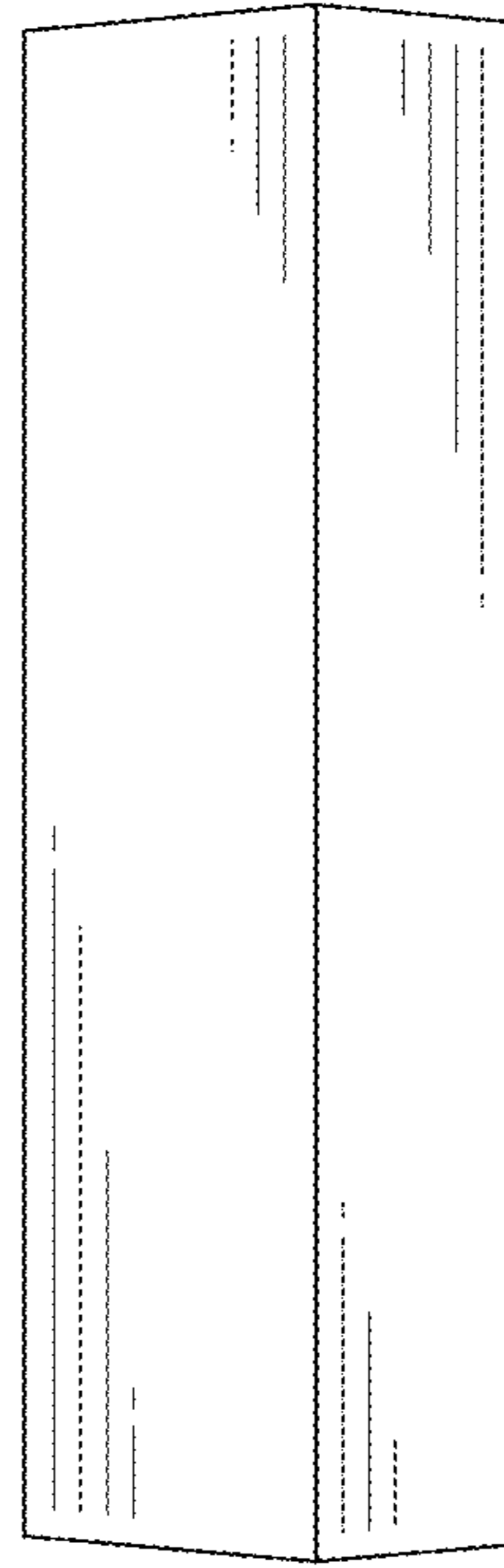


FIG.7

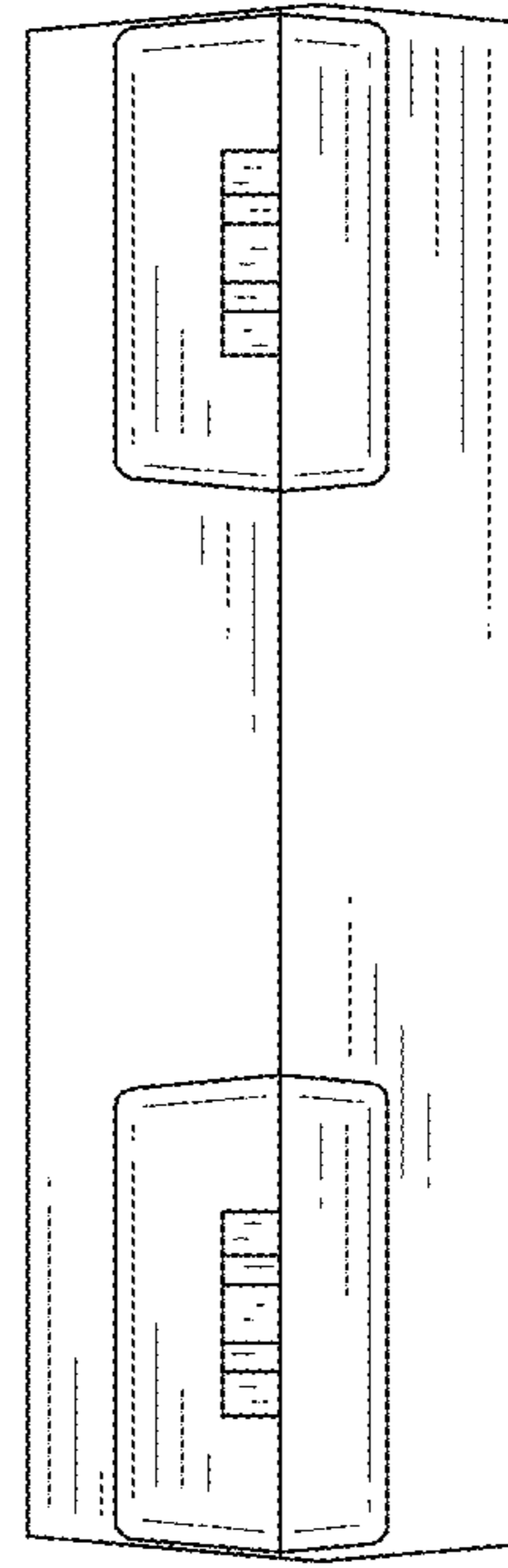


FIG.8

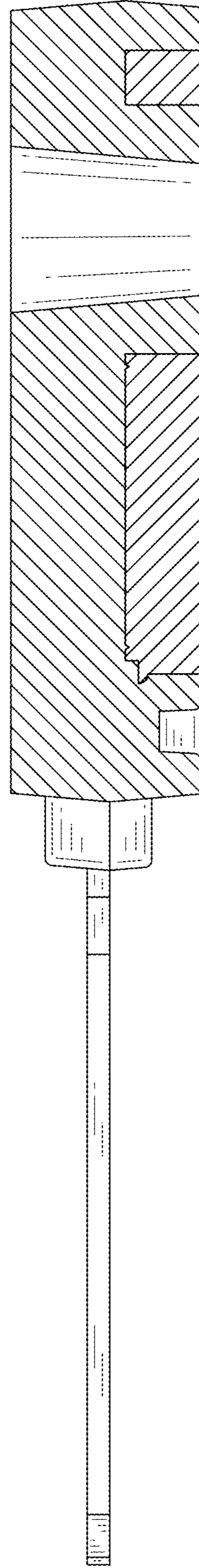


FIG. 9