



US00D922969S

(12) **United States Design Patent**
Muertter

(10) **Patent No.:** **US D922,969 S**
(45) **Date of Patent:** **** Jun. 22, 2021**

(54) **SWITCH COVER**

(71) Applicant: **Off Road Engineering, LLC**, Rancho Santa Margarita, CA (US)

(72) Inventor: **Robert Muertter**, Rancho Santa Margarita, CA (US)

(73) Assignee: **OFF ROAD ENGINEERING, LLC**, Rancho Santa, CA (US)

(**) Term: **15 Years**

(21) Appl. No.: **29/688,504**

(22) Filed: **Apr. 22, 2019**

(51) **LOC (13) Cl.** **13-03**

(52) **U.S. Cl.**
USPC **D13/177**

(58) **Field of Classification Search**
USPC D13/123, 158–160, 162–164, 167–169,
D13/171, 173, 174, 177, 178, 184, 199
CPC H01H 9/00; H01H 9/02; H01H 13/00;
H01H 13/04; H01H 13/70; H01H 13/702;
H01H 23/04; H02G 3/14
See application file for complete search history.

(56) **References Cited**

U.S. PATENT DOCUMENTS

3,470,337	A *	9/1969	Verzilli	H01H 13/70 200/42.01
3,523,163	A *	8/1970	Andren	H01H 13/70 379/422
3,591,749	A *	7/1971	Comstock	H01H 13/702 200/308
4,032,729	A *	6/1977	Koistinen	H01H 13/7013 200/5 A
4,440,990	A *	4/1984	Nozaki	H01H 13/702 200/305

(Continued)

FOREIGN PATENT DOCUMENTS

JP	2005018989	A *	1/2005	
WO	WO-2005093770	A1 *	10/2005 H01H 13/86

OTHER PUBLICATIONS

VCM Systems Hardware Manual, dated Sep. 16, 2008, [online], [site visited Apr. 20, 2021]. Available from Internet, URL: <http://offroadengineering.com/media/1-pdf-Page-Vehicle-Control-Systems-Multiplex-System.pdf> (Year: 2008).*

(Continued)

Primary Examiner — Shawn T Gingrich

(74) *Attorney, Agent, or Firm* — Benjamin Diederich

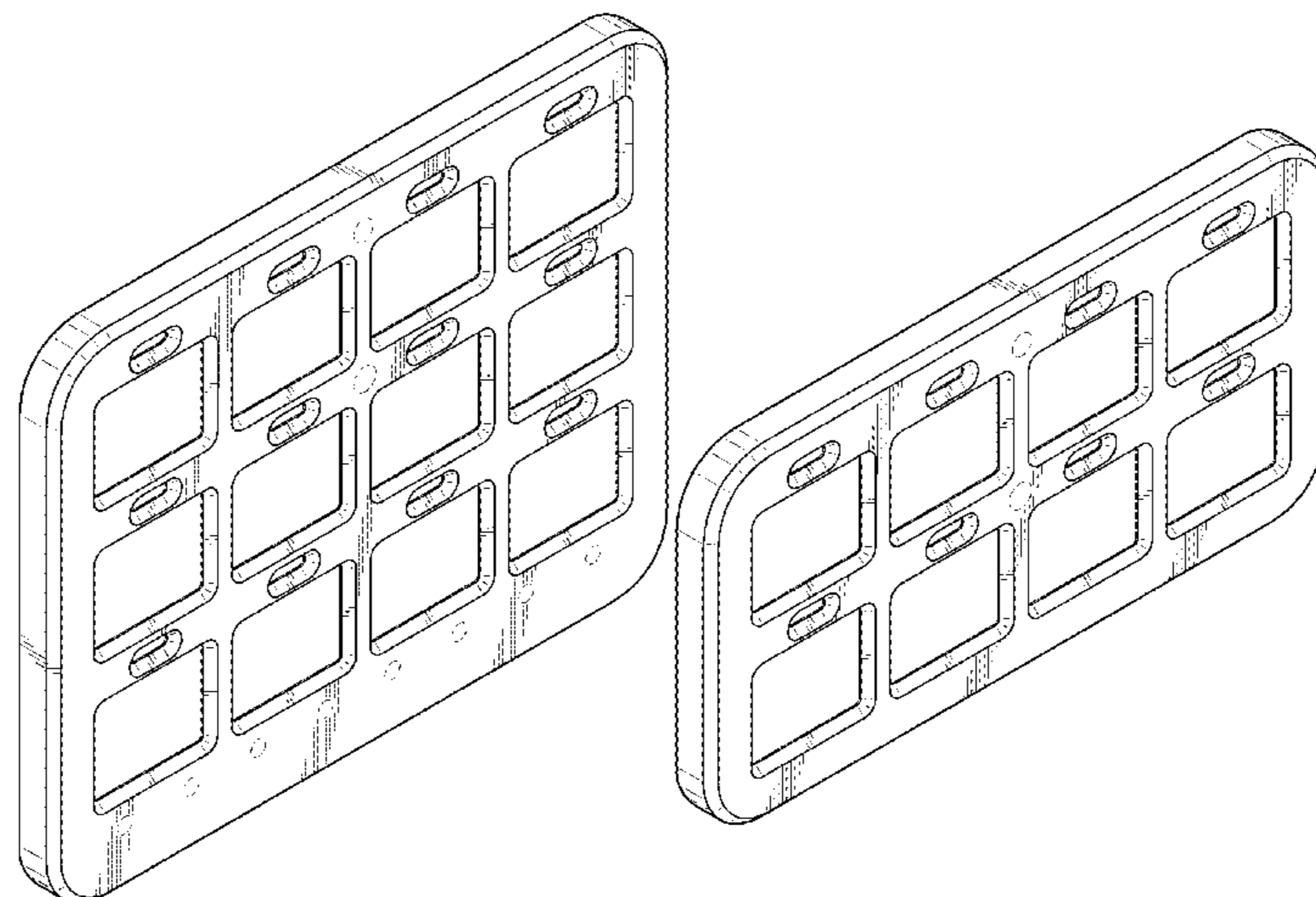
(57) **CLAIM**

The ornamental design for a switch cover, as shown and described.

DESCRIPTION

FIG. 1 is a front perspective view of a first embodiment of a switch cover showing my new design; FIG. 2 is a rear perspective view thereof; FIG. 3 is a front view thereof; FIG. 4 is a top view thereof, the bottom view being a mirror image thereof; FIG. 5 is a rear view thereof; FIG. 6 is a right side view thereof, the left side view being a mirror image thereof; FIG. 7 is a front perspective view of a second embodiment of a switch cover showing my new design; FIG. 8 is a rear perspective view thereof; FIG. 9 is a front view thereof; FIG. 10 is a top view thereof, the bottom view being a mirror image thereof; FIG. 11 is a rear view thereof; and, FIG. 12 is a right side view thereof, the left side view being a mirror image thereof. The broken lines on the face of the switch cover of FIGS. 1, 2, 3, 5, 7, 8, 9, and 11 illustrate the portions of the design that form no part of the claimed design.

1 Claim, 9 Drawing Sheets



(56)

References Cited

2019/0067923 A1* 2/2019 Kanamori H01R 13/502

U.S. PATENT DOCUMENTS

4,710,597 A * 12/1987 Loheac H01H 13/702
 200/314
 5,631,453 A * 5/1997 Maeda H01H 9/04
 200/6 A
 D503,644 S * 4/2005 Case D10/106.1
 D664,935 S * 8/2012 Lin D13/177
 D700,151 S * 2/2014 Hochman D13/180
 D707,386 S * 6/2014 McKenzie D26/142
 10,218,383 B2 * 2/2019 McNicoll G06F 3/0416
 D882,530 S * 4/2020 Plaja Miro D13/169
 D914,614 S * 3/2021 Muertter D13/162
 2007/0039807 A1 * 2/2007 Yang H02G 3/14
 200/296
 2011/0000115 A1 * 1/2011 Ashby H02G 3/14
 40/661

OTHER PUBLICATIONS

Switch-Pros: SP9100 Features, dated May 29, 2018, [online], [site visited Apr. 20, 2021]. Available from Internet, URL: <https://www.youtube.com/watch?v=uSuerRX4RFY> (Year: 2018).*

Switch-Pros: SP8100 8-Switch Panel Power System, dated May 29, 2018, [online], [site visited Apr. 20, 2021]. Available from Internet, URL: <http://switchpros.com/> (Year: 2018).*

Auxbeam 6 Gang Switch Panel Electronic Relay System Circuit Control Box , dated Oct. 12, 2020, [online], [site visited Apr. 20, 2021]. Available from Internet, URL: <https://www.amazon.com/dp/B08L3GMD39/> (Year: 2020).*

* cited by examiner

FIG. 1

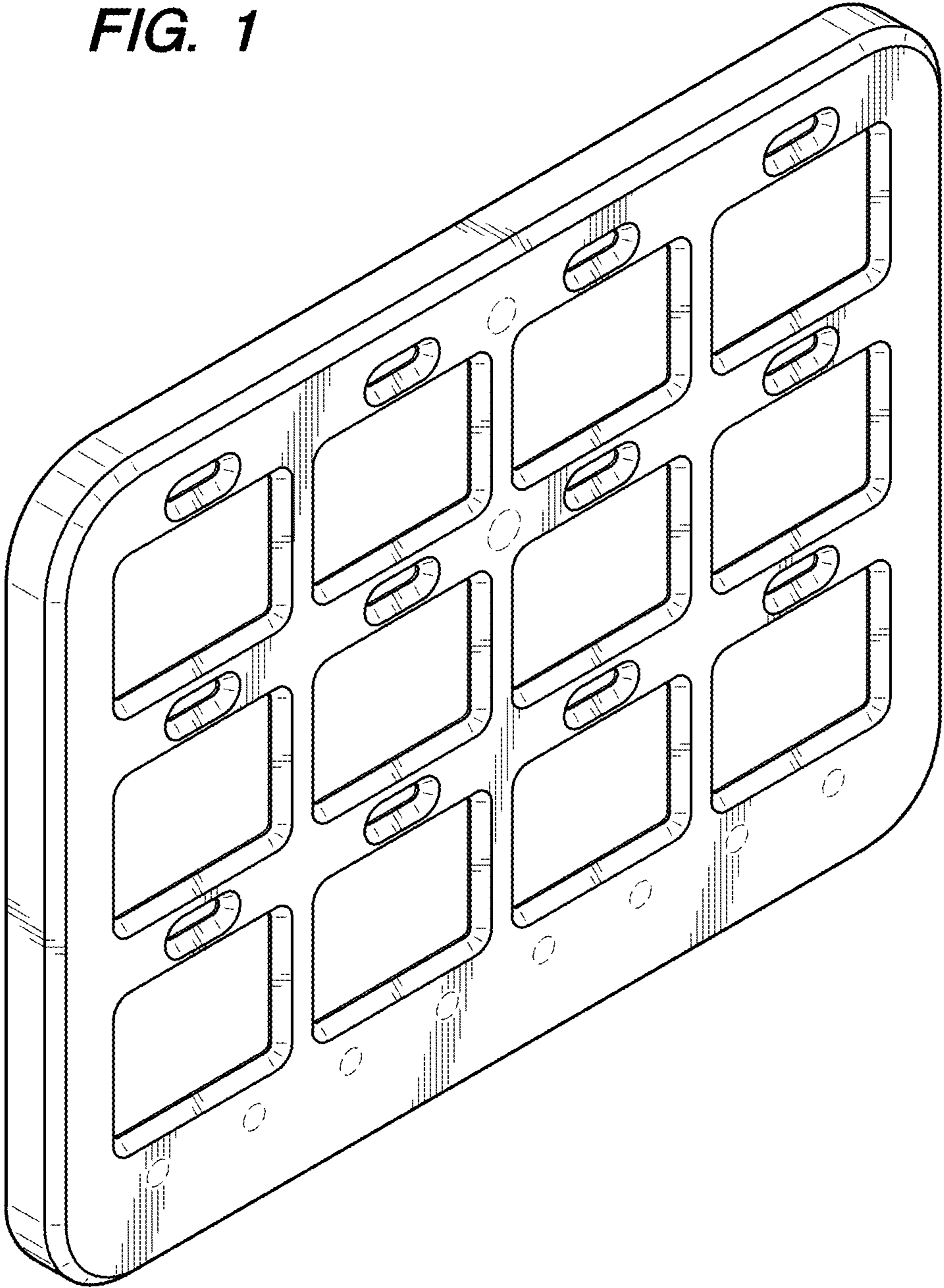
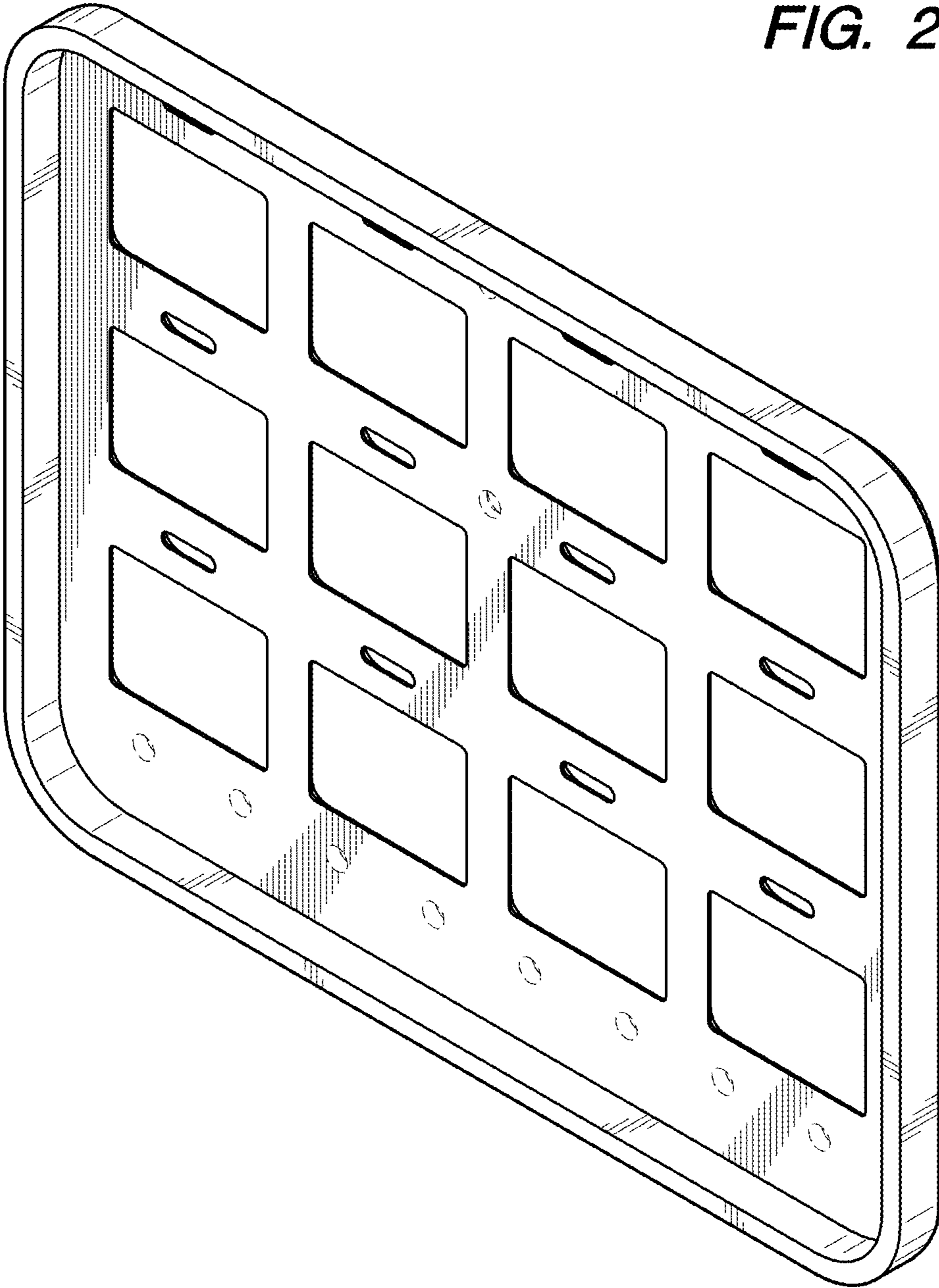


FIG. 2



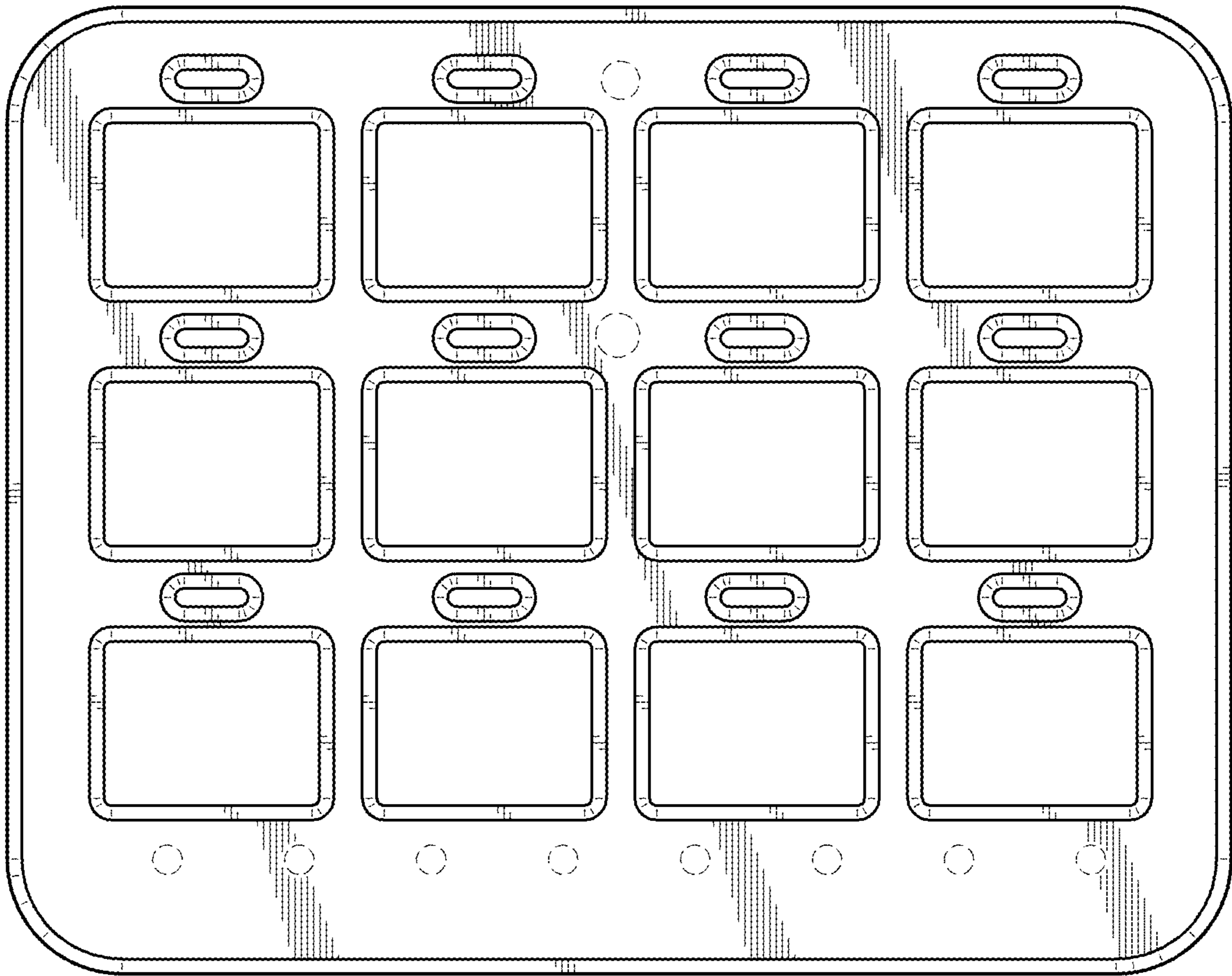


FIG. 3

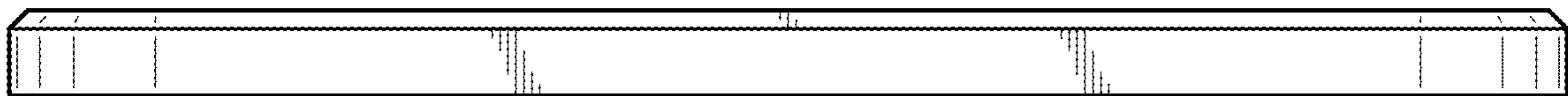


FIG. 4

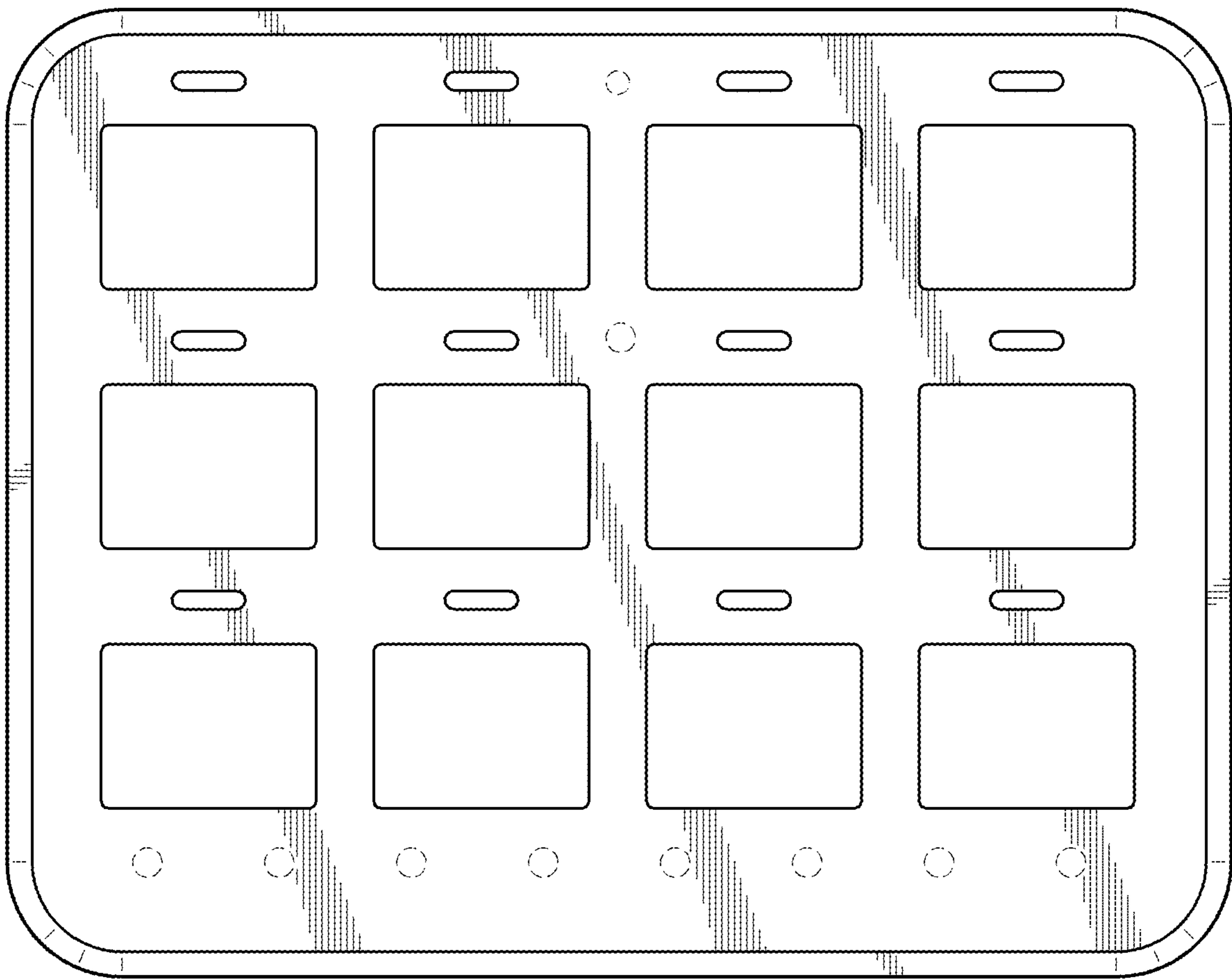


FIG. 5

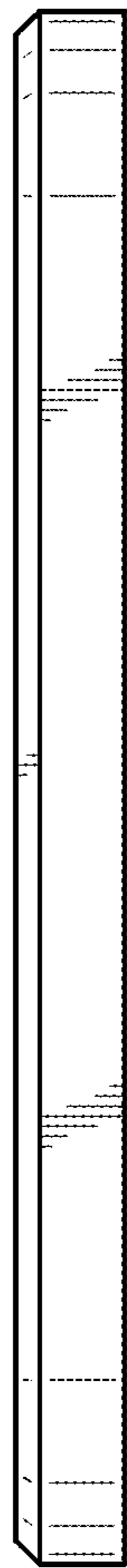


FIG. 6

FIG. 7

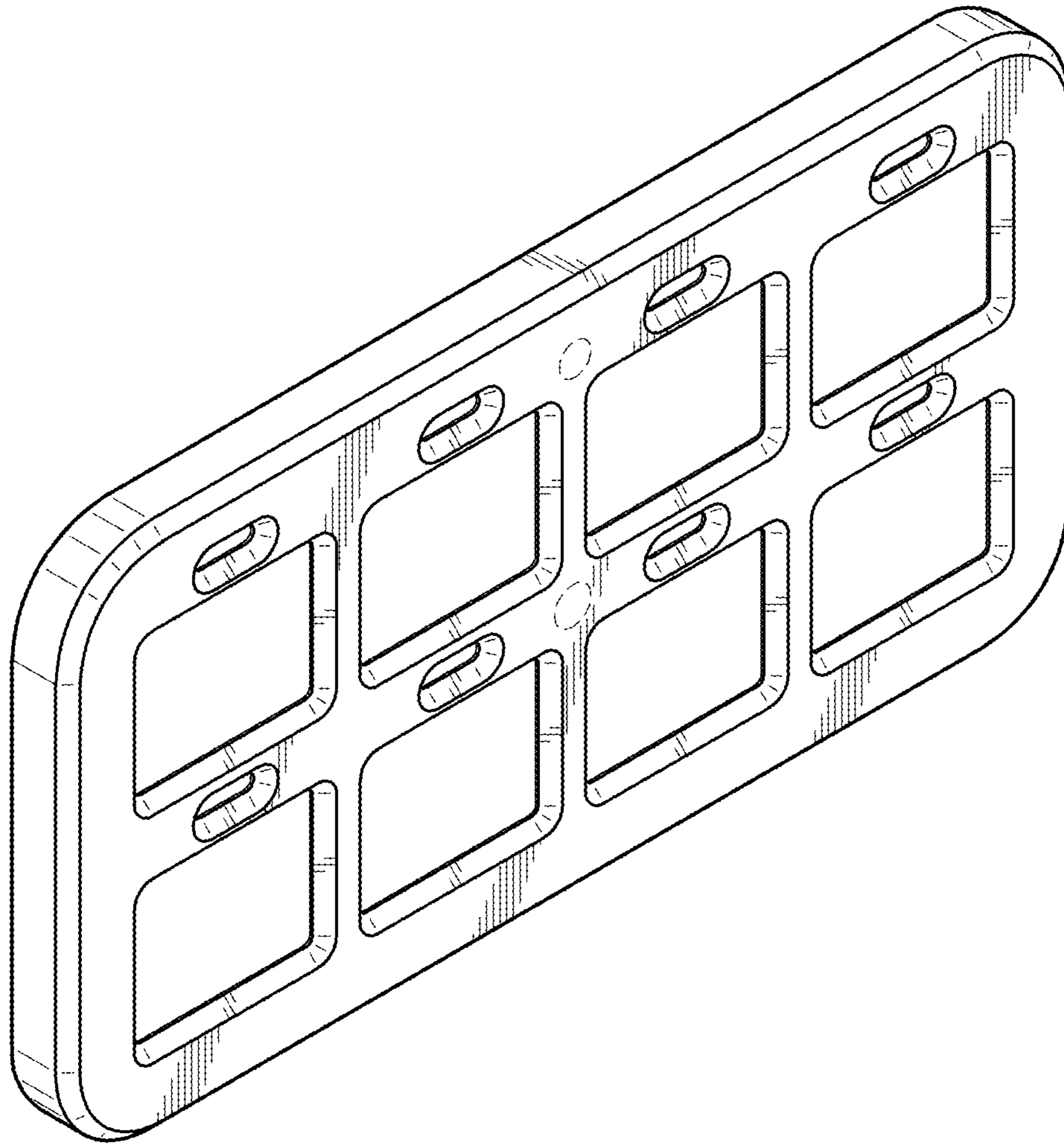
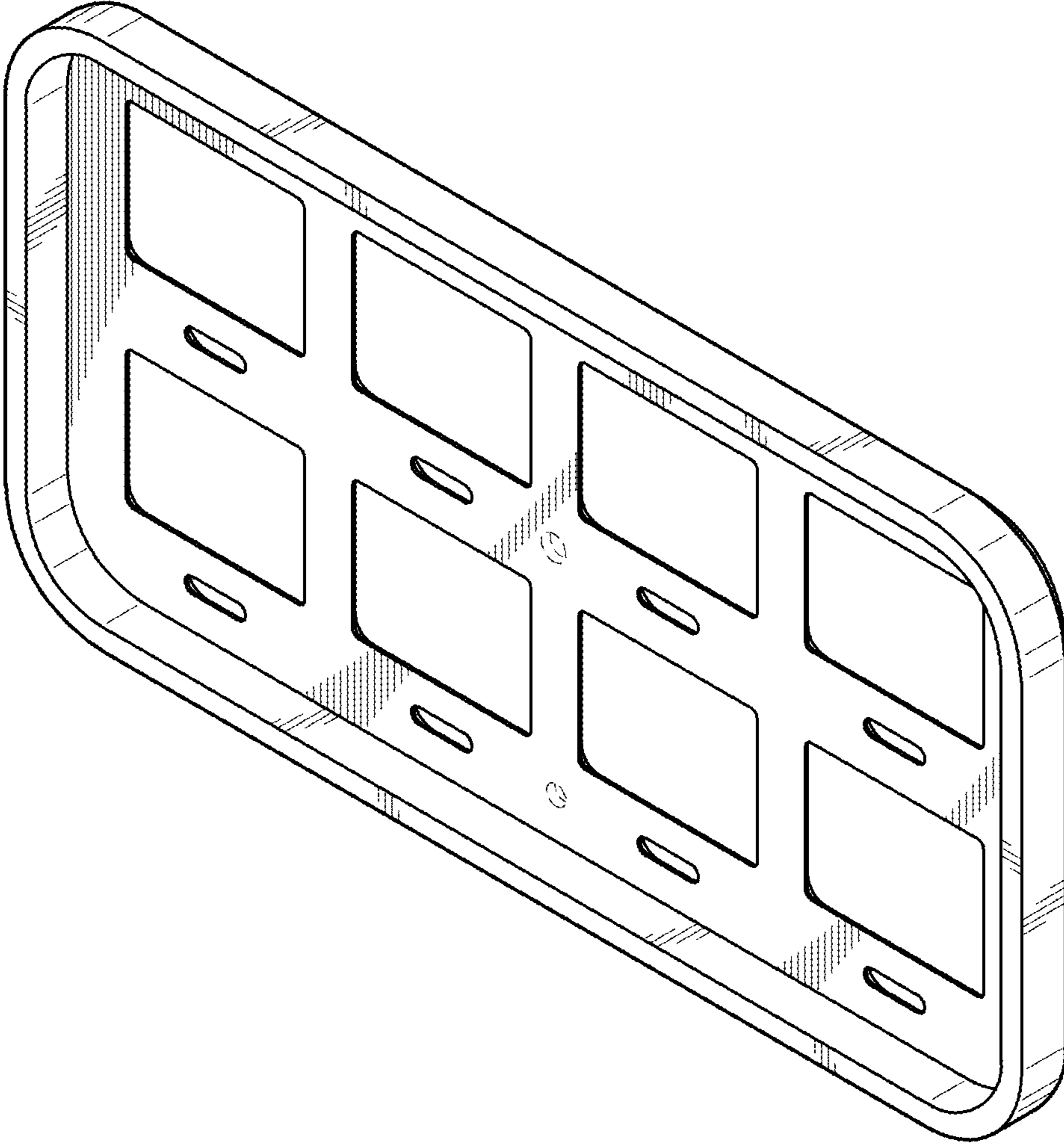


FIG. 8



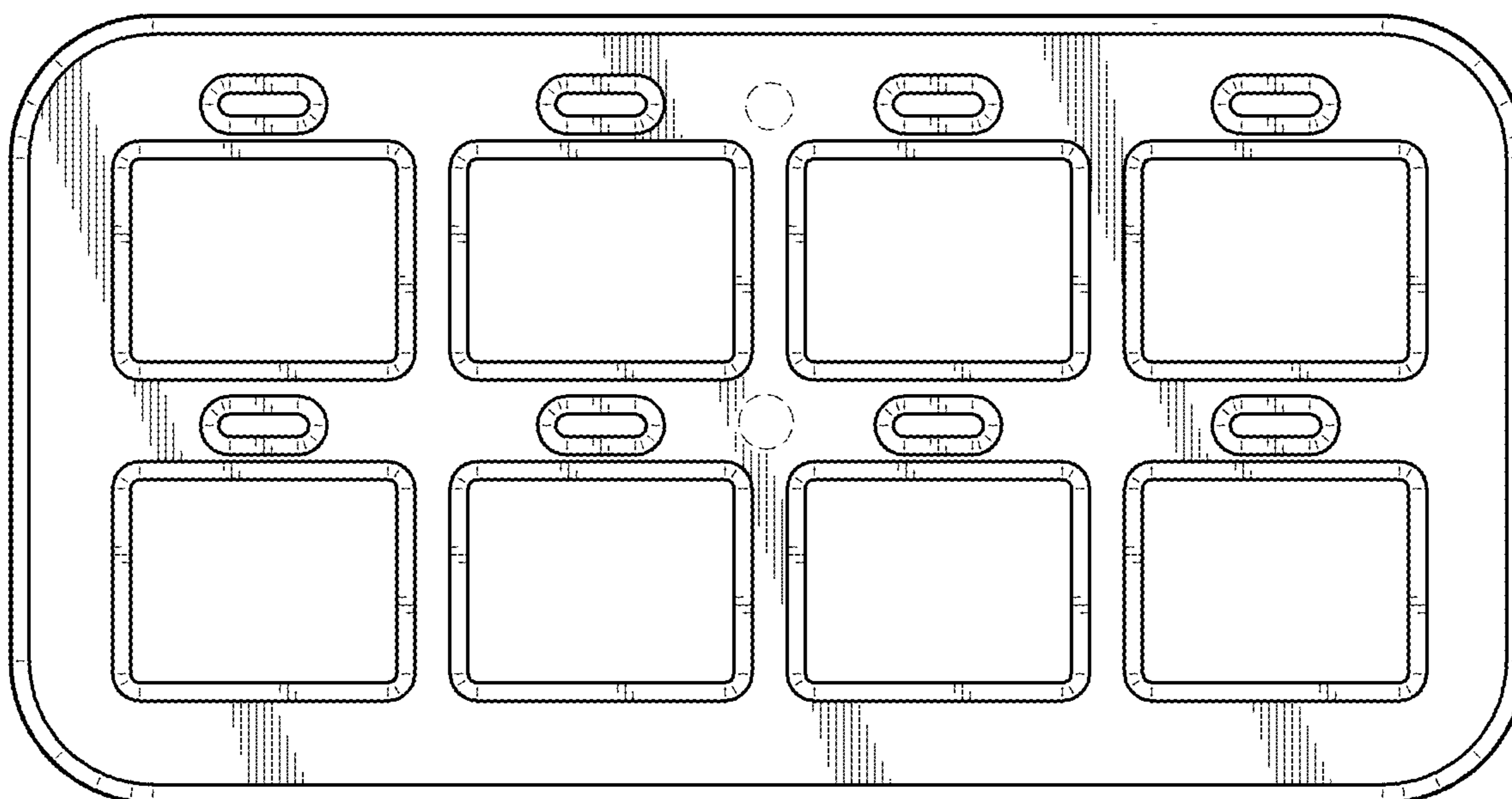


FIG. 9

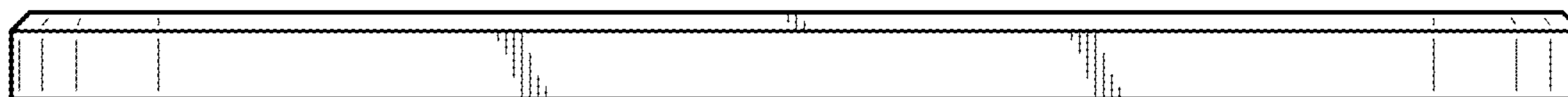


FIG. 10

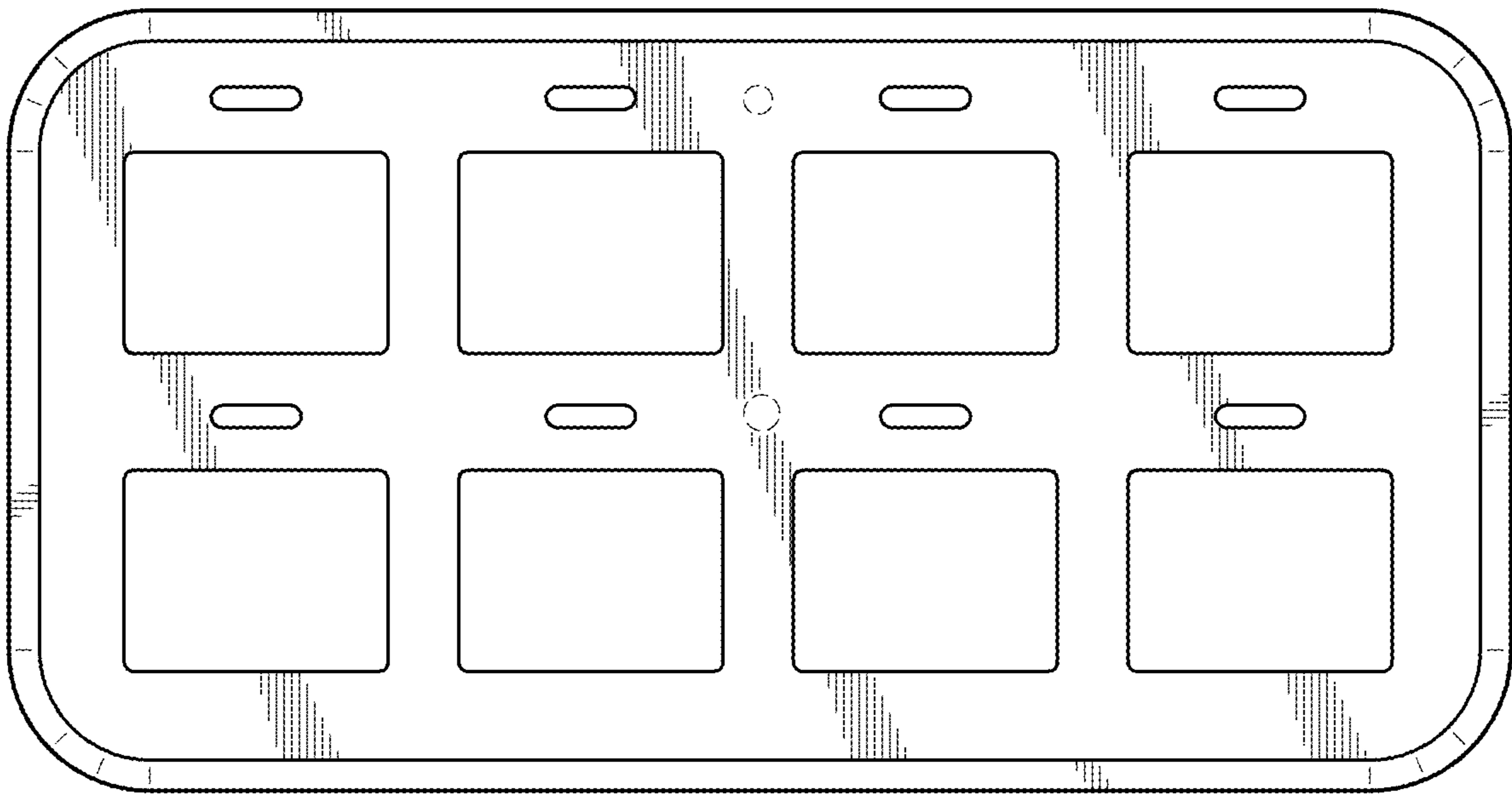


FIG. 11

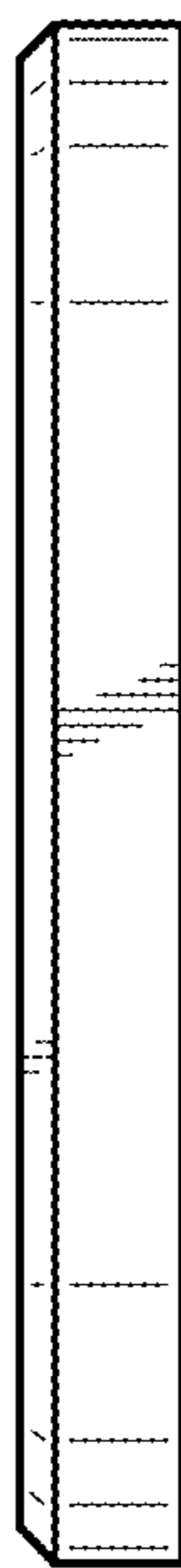


FIG. 12