



US00D922968S

(12) **United States Design Patent**  
**Christiansen**

(10) **Patent No.:** **US D922,968 S**

(45) **Date of Patent:** **\*\* Jun. 22, 2021**

(54) **ENCODER/DECODER OF REMOTE CONTROLLER FOR WATER IRRIGATION**

(71) Applicant: **S-RAIN CONTROL A/S**, Kvistgaard (DK)

(72) Inventor: **Tom Nøhr Christiansen**, Hørsholm (DK)

(73) Assignee: **S-RAIN CONTROL A/S**, Kvistgaard (DK)

(\*\*) Term: **15 Years**

(21) Appl. No.: **29/646,671**

(22) Filed: **May 7, 2018**

(30) **Foreign Application Priority Data**

Nov. 7, 2017 (DK) ..... DA 2017 00097

(51) **LOC (13) Cl.** ..... **13-03**

(52) **U.S. Cl.**  
USPC ..... **D13/173**

(58) **Field of Classification Search**  
USPC ..... D13/108, 110, 158, 133, 137.1, 138.1,  
D13/156, 162, 173; D23/233  
CPC ..... A01G 25/16; G05B 15/02  
See application file for complete search history.

(56) **References Cited**

**U.S. PATENT DOCUMENTS**

3,137,535 A \* 6/1964 Collier ..... H01R 13/64  
439/350  
D215,602 S \* 10/1969 Wolf ..... D13/158  
4,012,106 A \* 3/1977 Filson ..... H01R 13/115  
439/732

(Continued)

*Primary Examiner* — Selina Sikder

(74) *Attorney, Agent, or Firm* — Dinsmore & Shohl LLP

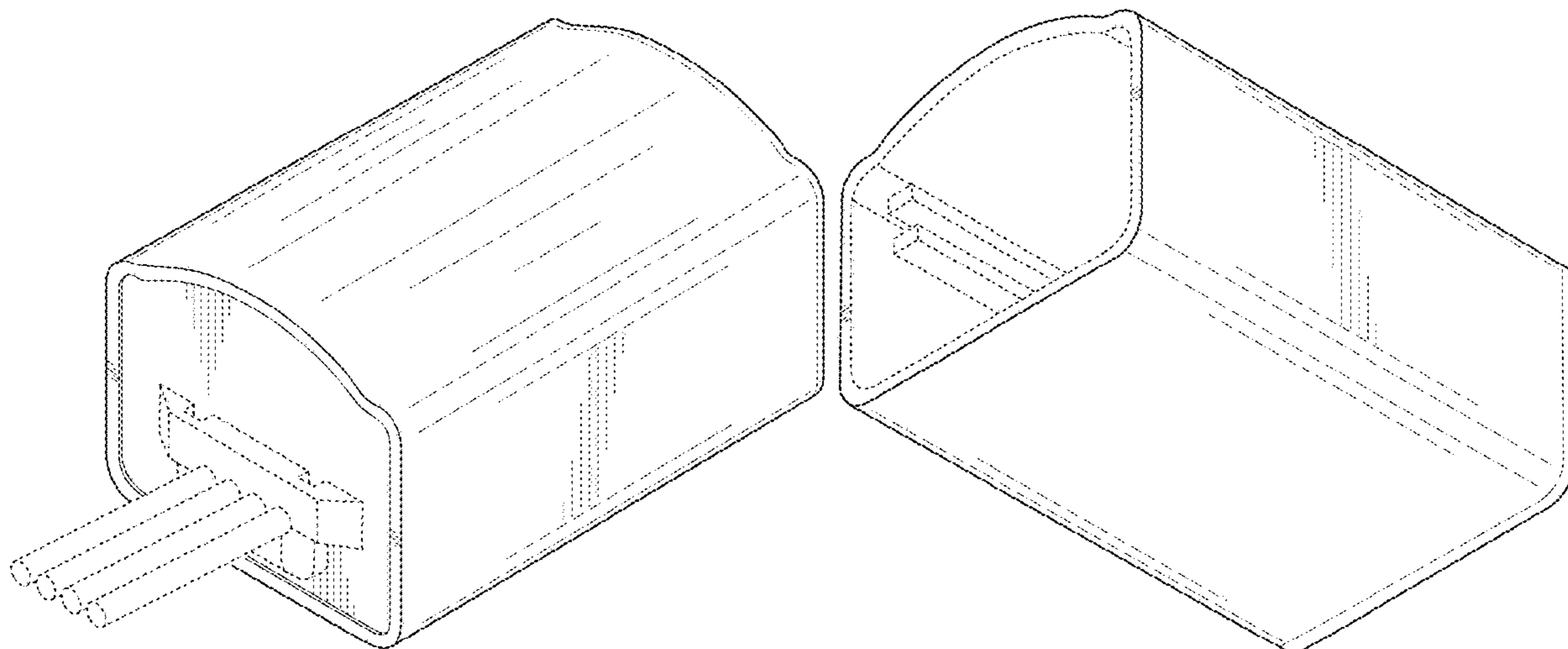
(57) **CLAIM**

The ornamental design for encoder/decoder of remote controller for water irrigation, as shown and described.

**DESCRIPTION**

FIG. 1 is a perspective view of an encoder/decoder in accordance with the present invention;  
FIG. 2 is another perspective view, from an opposite position, of the encoder/decoder of FIG. 1;  
FIG. 3 is a first end view of the encoder/decoder of FIGS. 1 and 2;  
FIG. 4 is an opposite end view of the encoder/decoder of FIGS. 1-3;  
FIG. 5 is a first side view of the encoder/decoder of FIGS. 1-4;  
FIG. 6 is top view of the encoder/decoder of FIGS. 1-5;  
FIG. 7 is another side view of the encoder/decoder of FIGS. 1-6;  
FIG. 8 is bottom view of the encoder/decoder of FIGS. 1-7;  
FIG. 9 is a perspective view of an outer housing of an encoder/decoder in accordance with the present invention;  
FIG. 10 is another perspective view, from an opposite position, of the outer housing of the encoder/decoder of FIG. 9;  
FIG. 11 is a first end view of the outer housing of the encoder/decoder of FIGS. 9 and 10;  
FIG. 12 is an opposite end view of the outer housing of the encoder/decoder of FIGS. 9-11;  
FIG. 13 is a top view of the outer housing of the encoder/decoder of FIGS. 9-12;  
FIG. 14 is first side view of the outer housing of the encoder/decoder of FIGS. 9-13;  
FIG. 15 is bottom view of the outer housing of the encoder/decoder of FIGS. 9-14; and,  
FIG. 16 is another side view of the outer housing of the encoder/decoder of FIGS. 9.  
The broken lines shown in the drawing depict portions of the encoder/decoder that form no part of the claimed design.

**1 Claim, 6 Drawing Sheets**



(56)

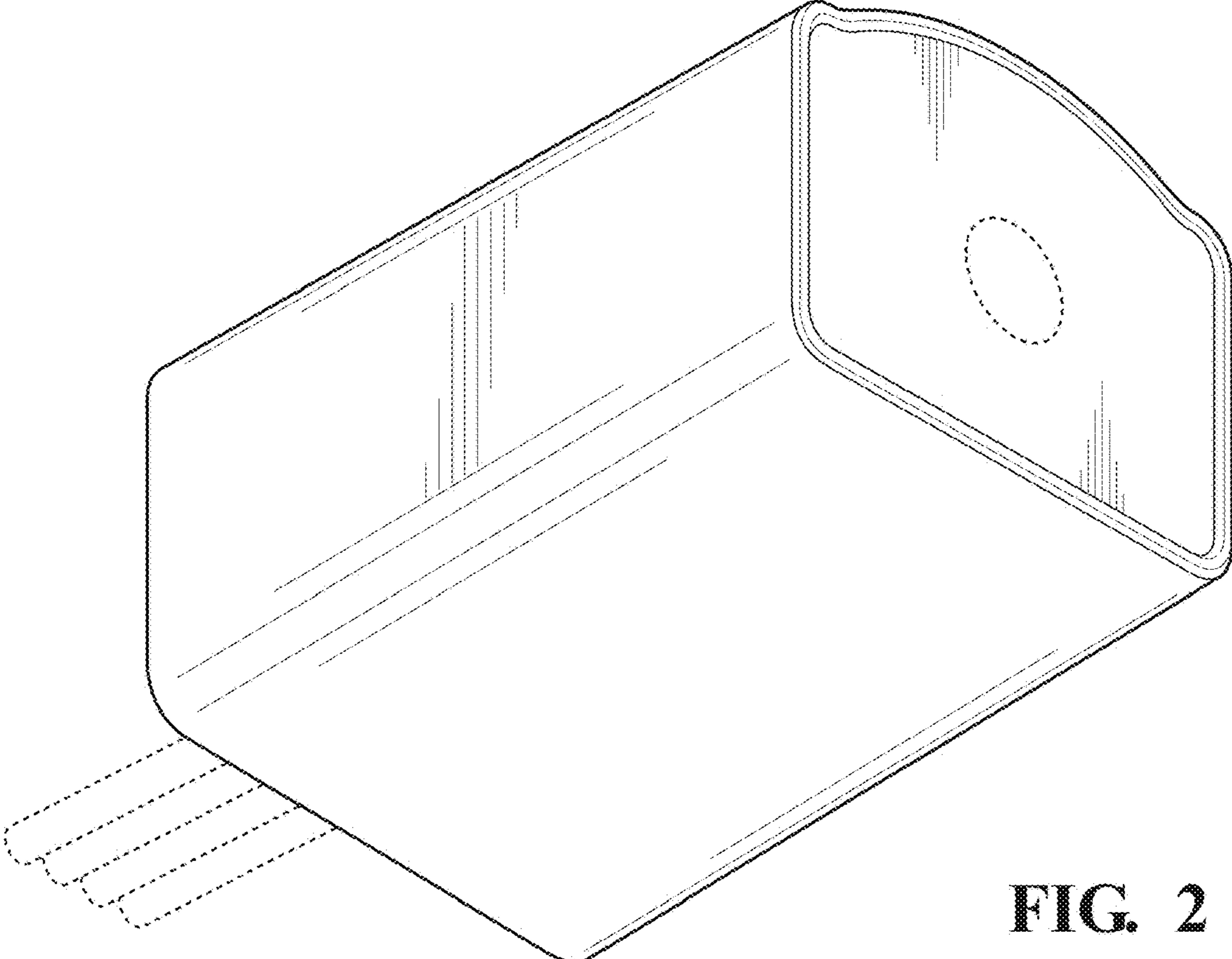
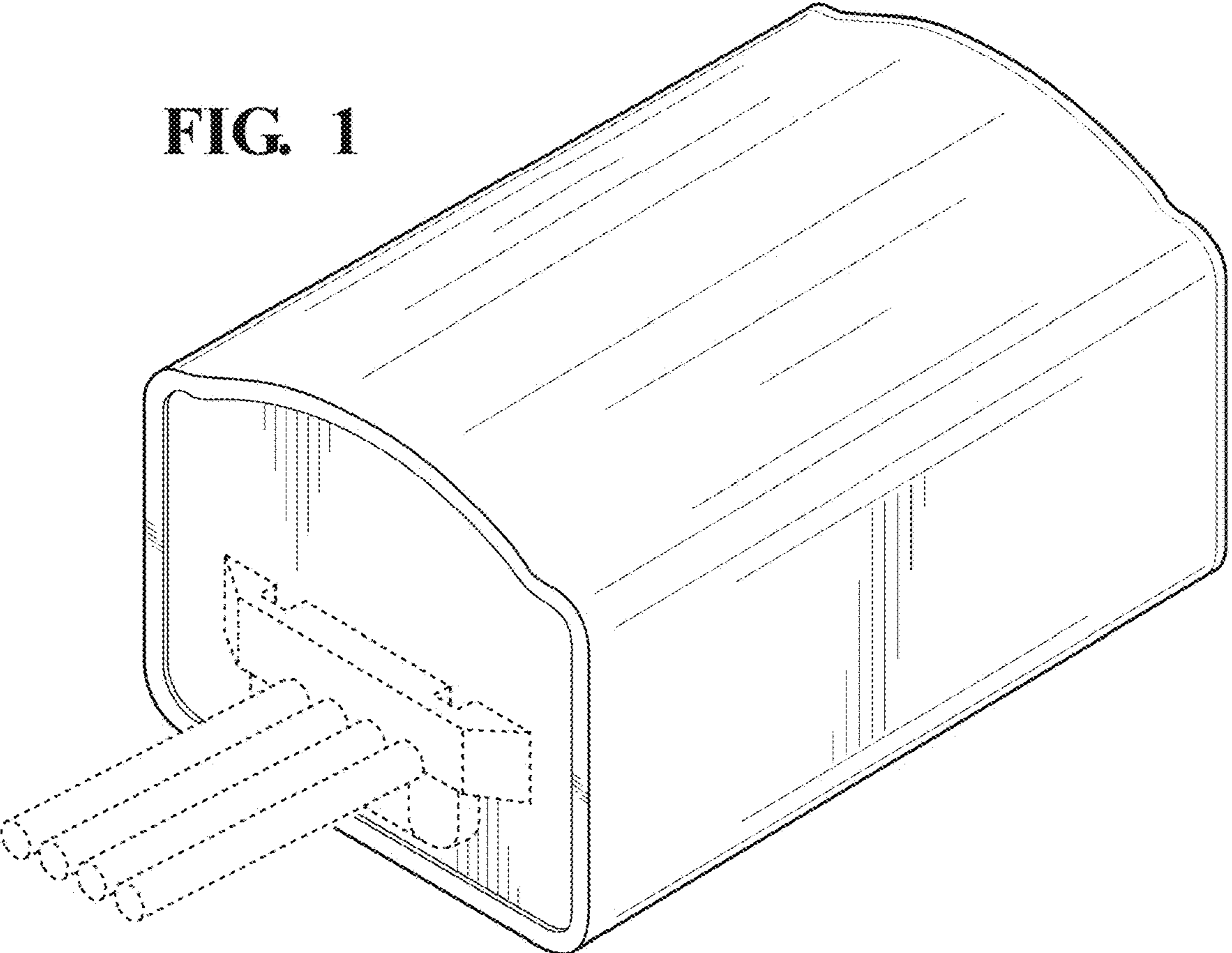
**References Cited**

U.S. PATENT DOCUMENTS

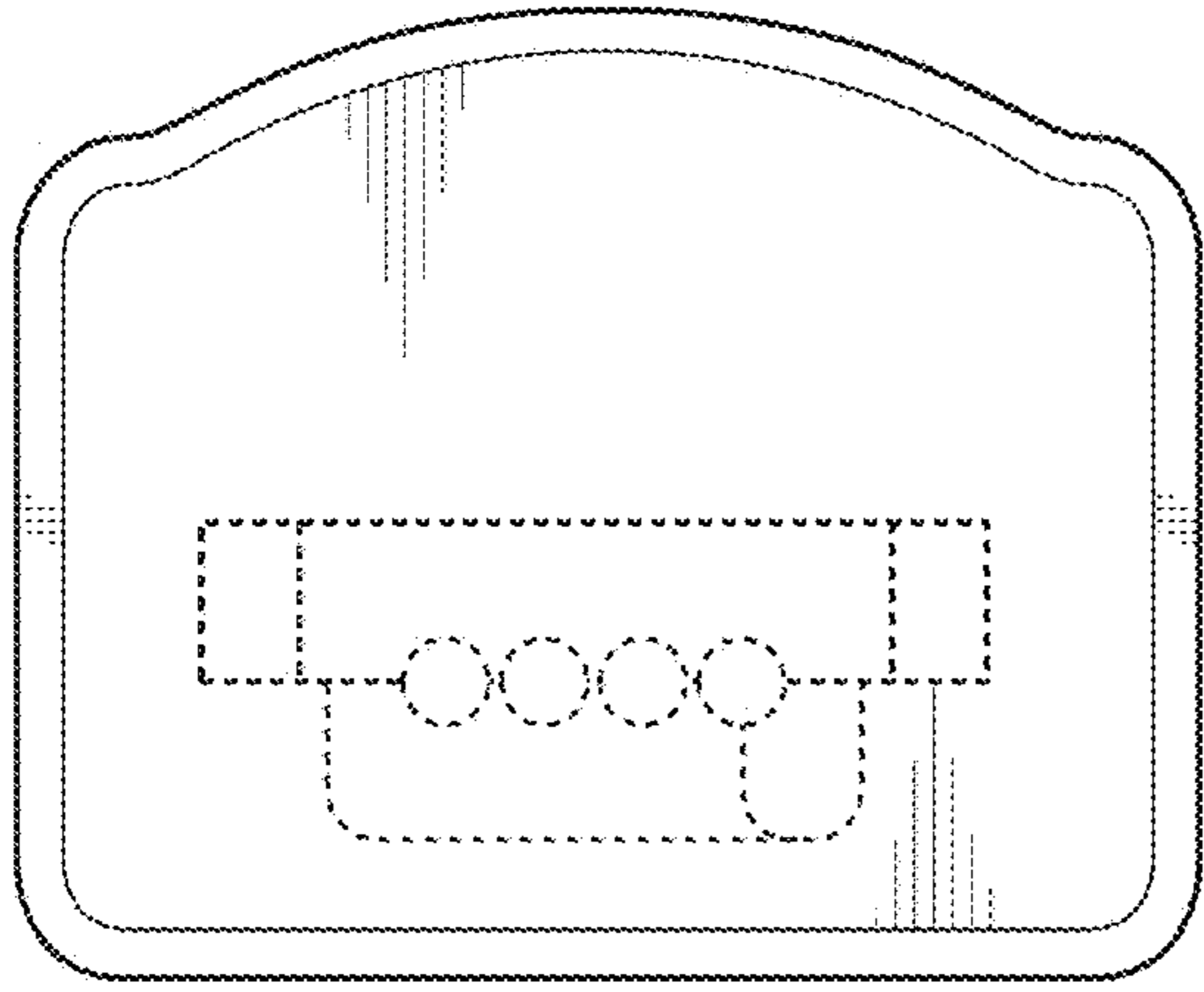
D297,929	S	*	10/1988	Hughes	.....	D13/158
D303,656	S	*	9/1989	Wong	.....	D13/156
D530,286	S	*	10/2006	Phung	.....	D13/156
D601,500	S	*	10/2009	Green	.....	D13/110
D615,050	S	*	5/2010	Christiansen	.....	D13/173
D622,226	S	*	8/2010	Crist	.....	D13/158
D664,093	S	*	7/2012	Andre	.....	D13/138.1
D671,489	S	*	11/2012	Zaslavsky	.....	D13/110
D673,908	S	*	1/2013	Koch	.....	D13/108
D689,819	S	*	9/2013	Olsson	.....	D13/110
D730,291	S	*	5/2015	Chen	.....	D13/138.1
D875,040	S	*	2/2020	Stern	.....	D13/108
D892,054	S	*	8/2020	Langhammer	.....	D13/137.1
2007/0061048	A1	*	3/2007	Lorenz	.....	A01G 25/16 700/284

\* cited by examiner

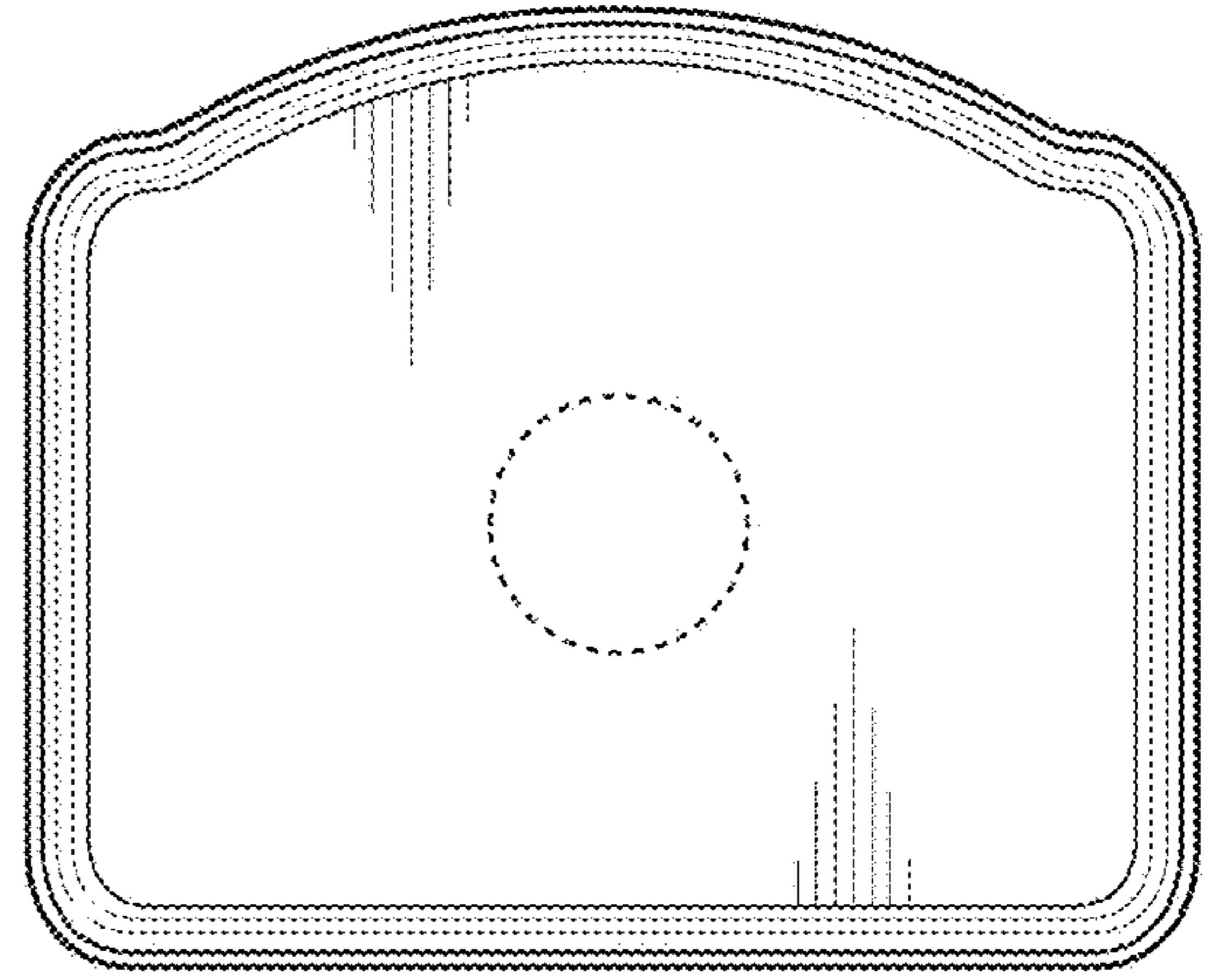
**FIG. 1**



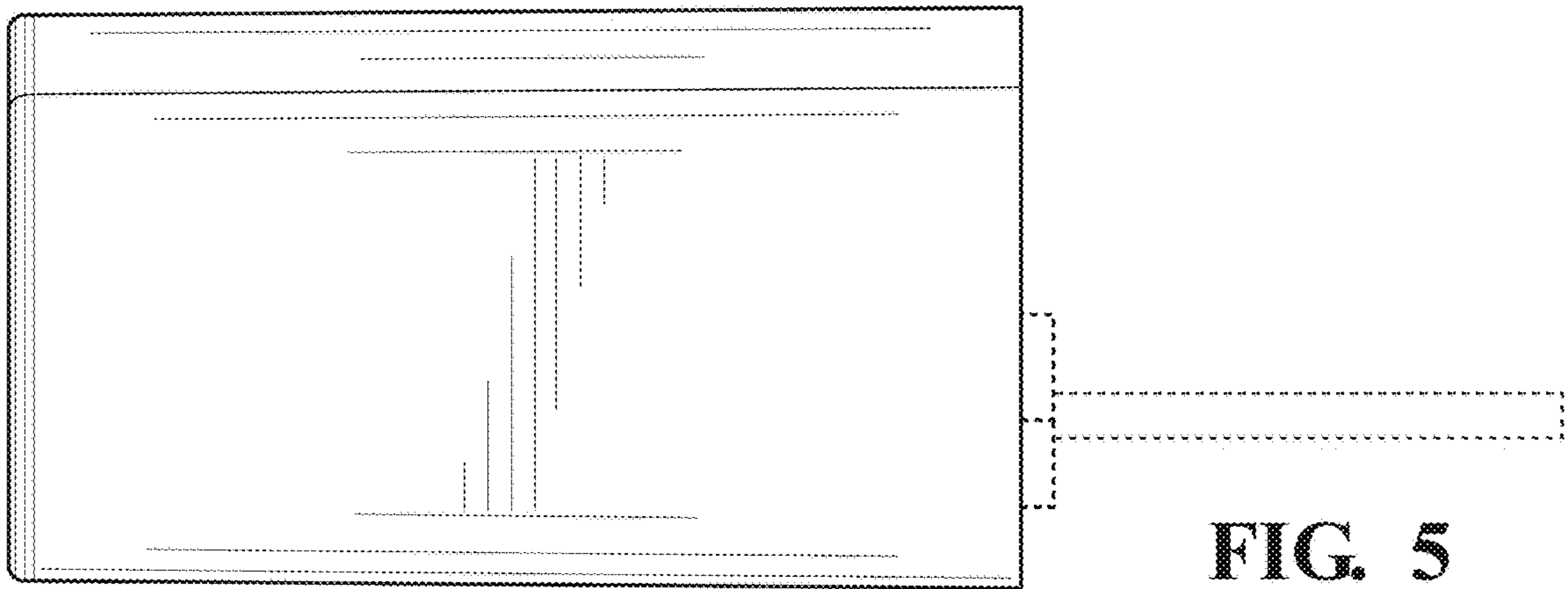
**FIG. 2**



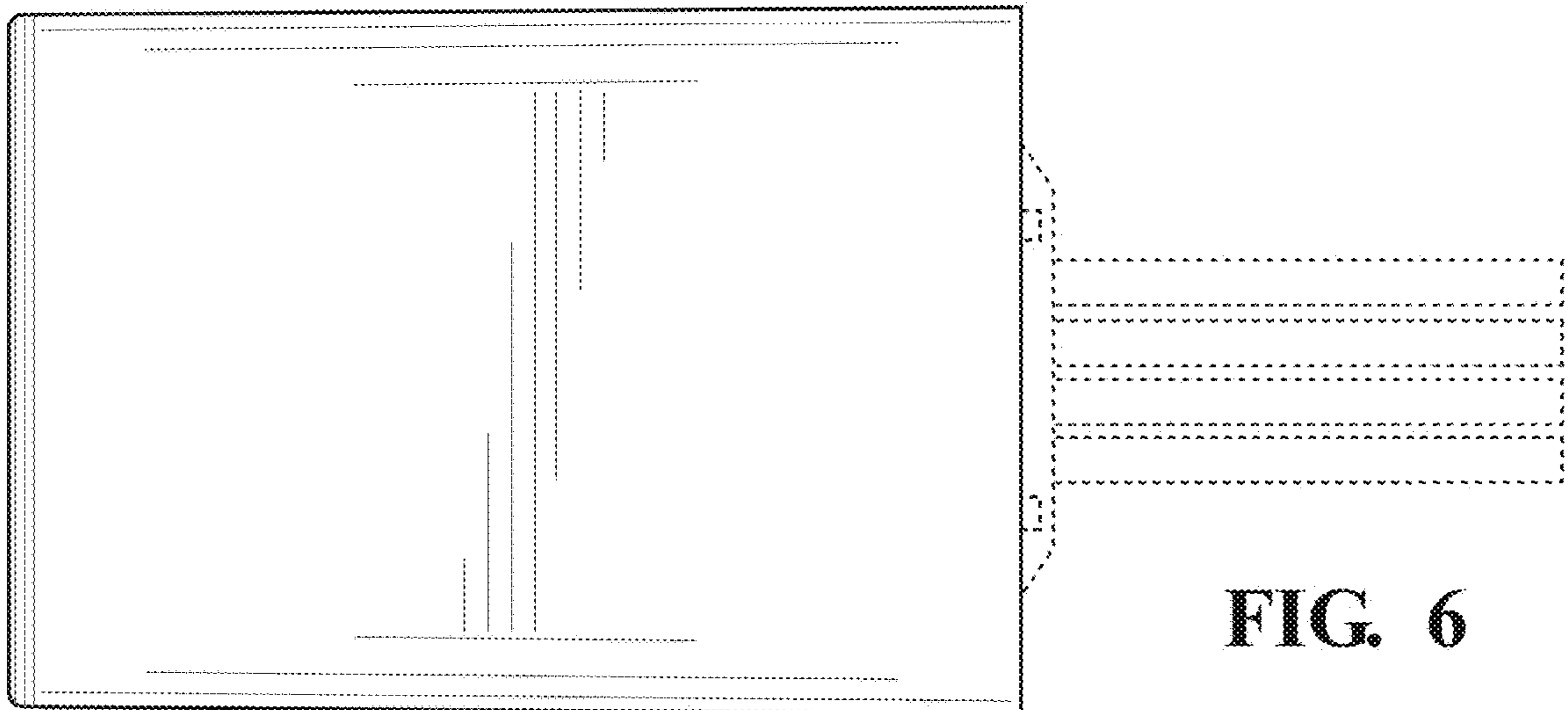
**FIG. 3**



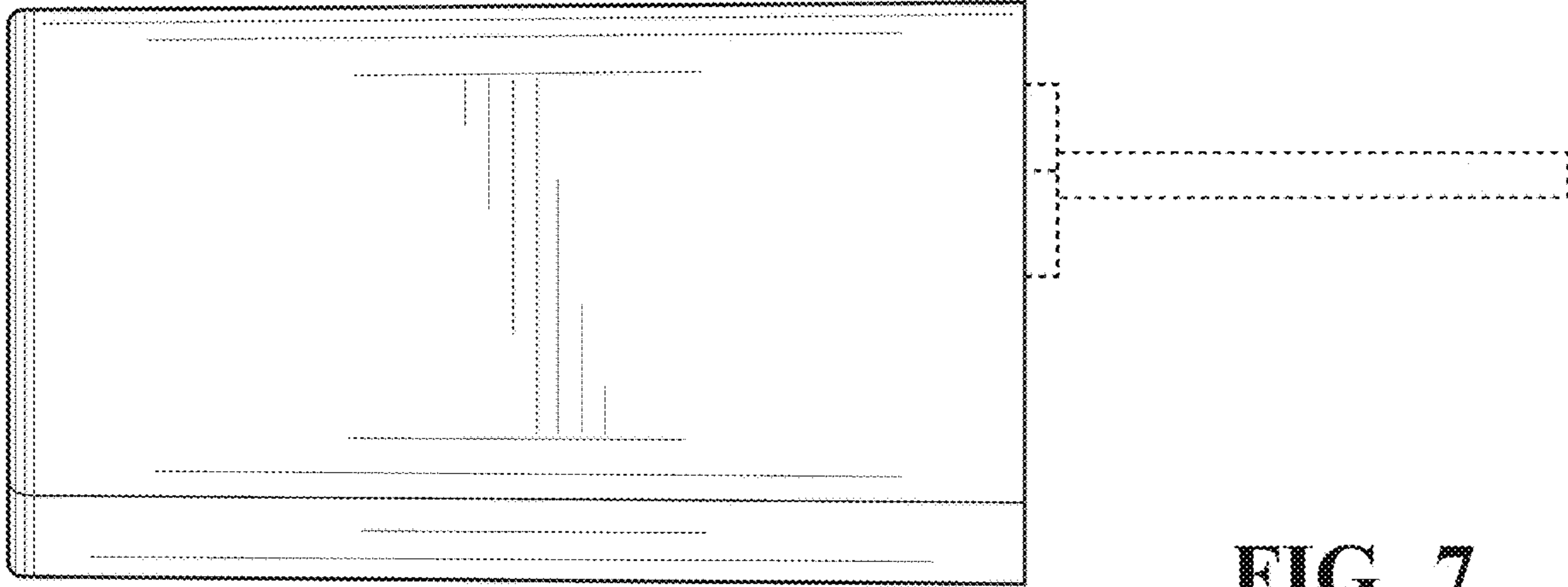
**FIG. 4**



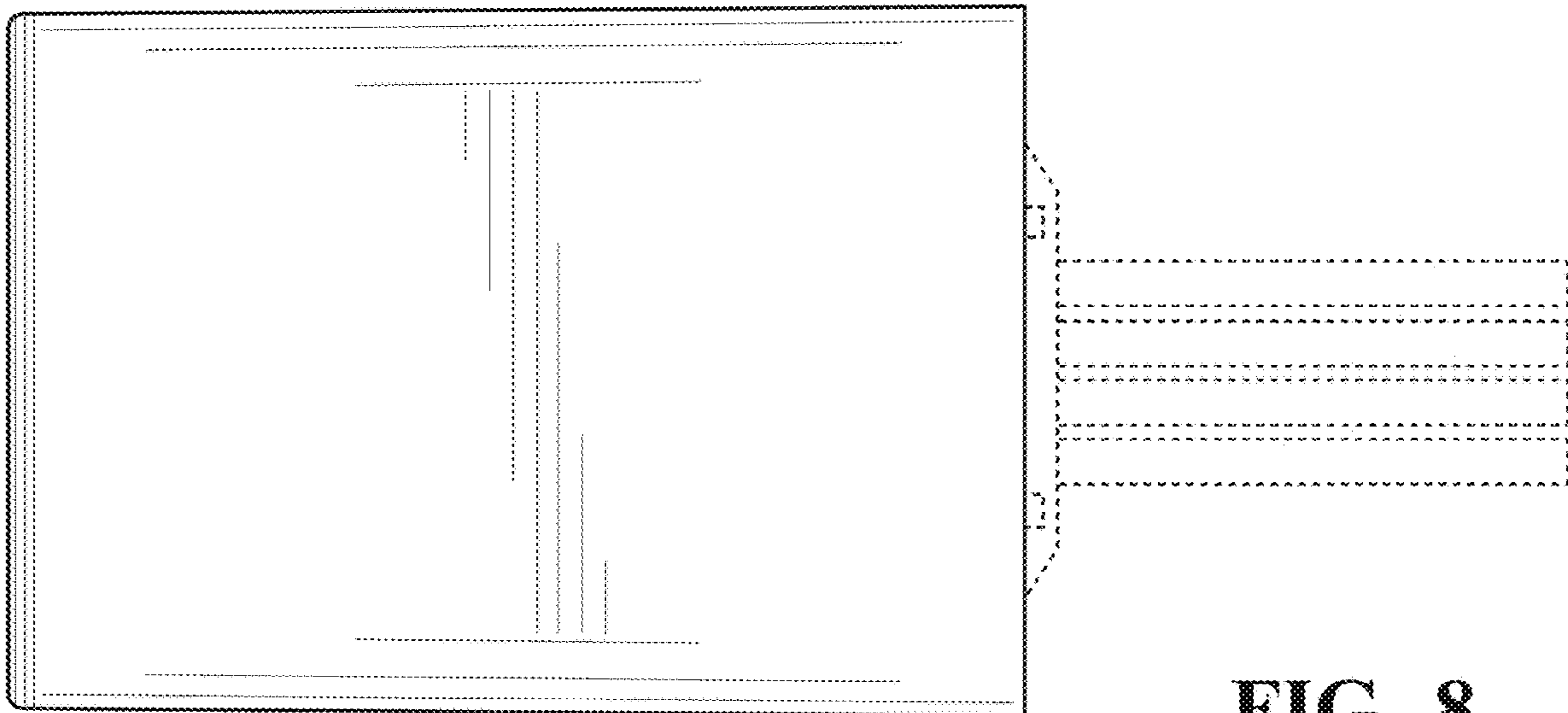
**FIG. 5**



**FIG. 6**



**FIG. 7**



**FIG. 8**

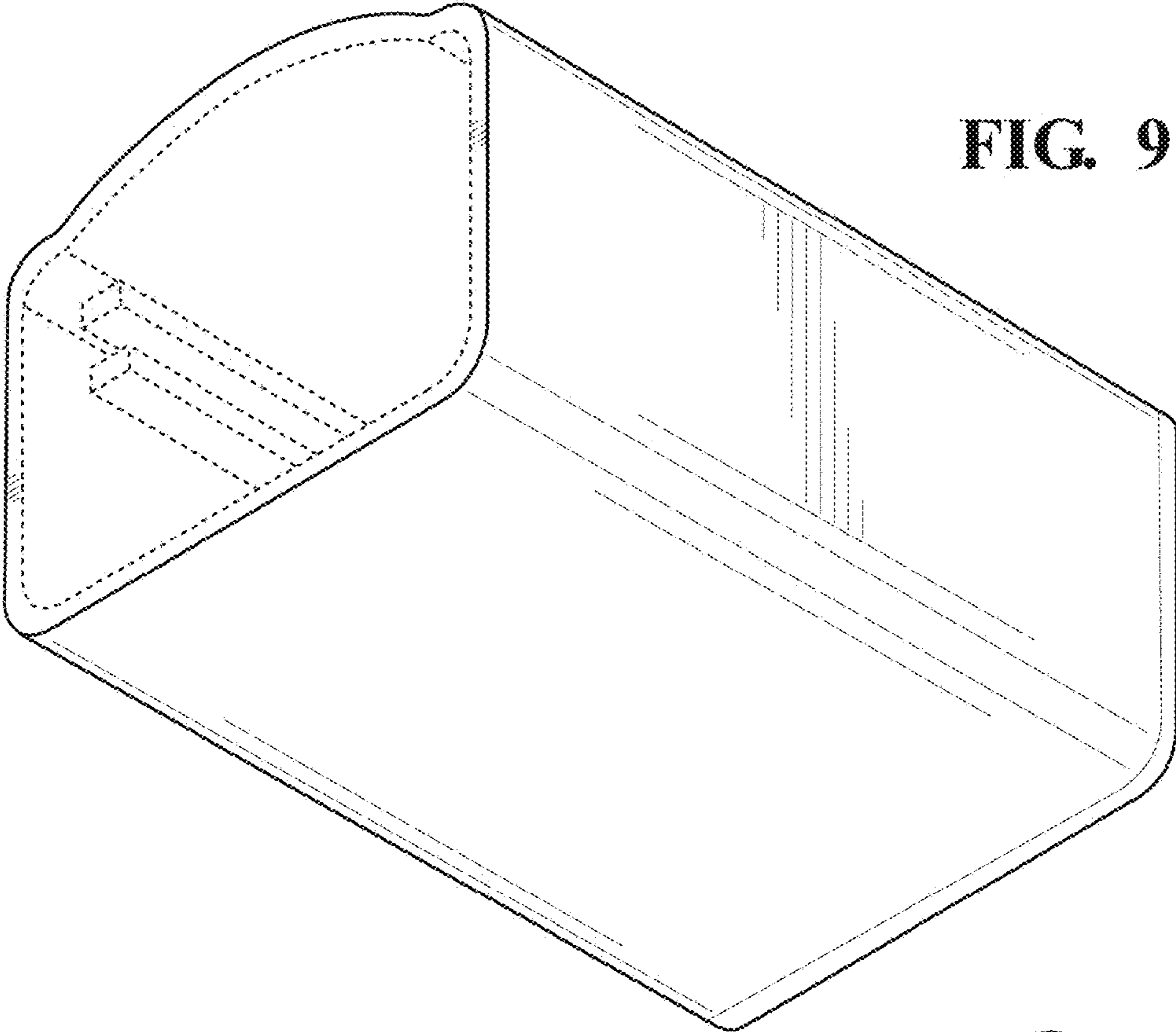
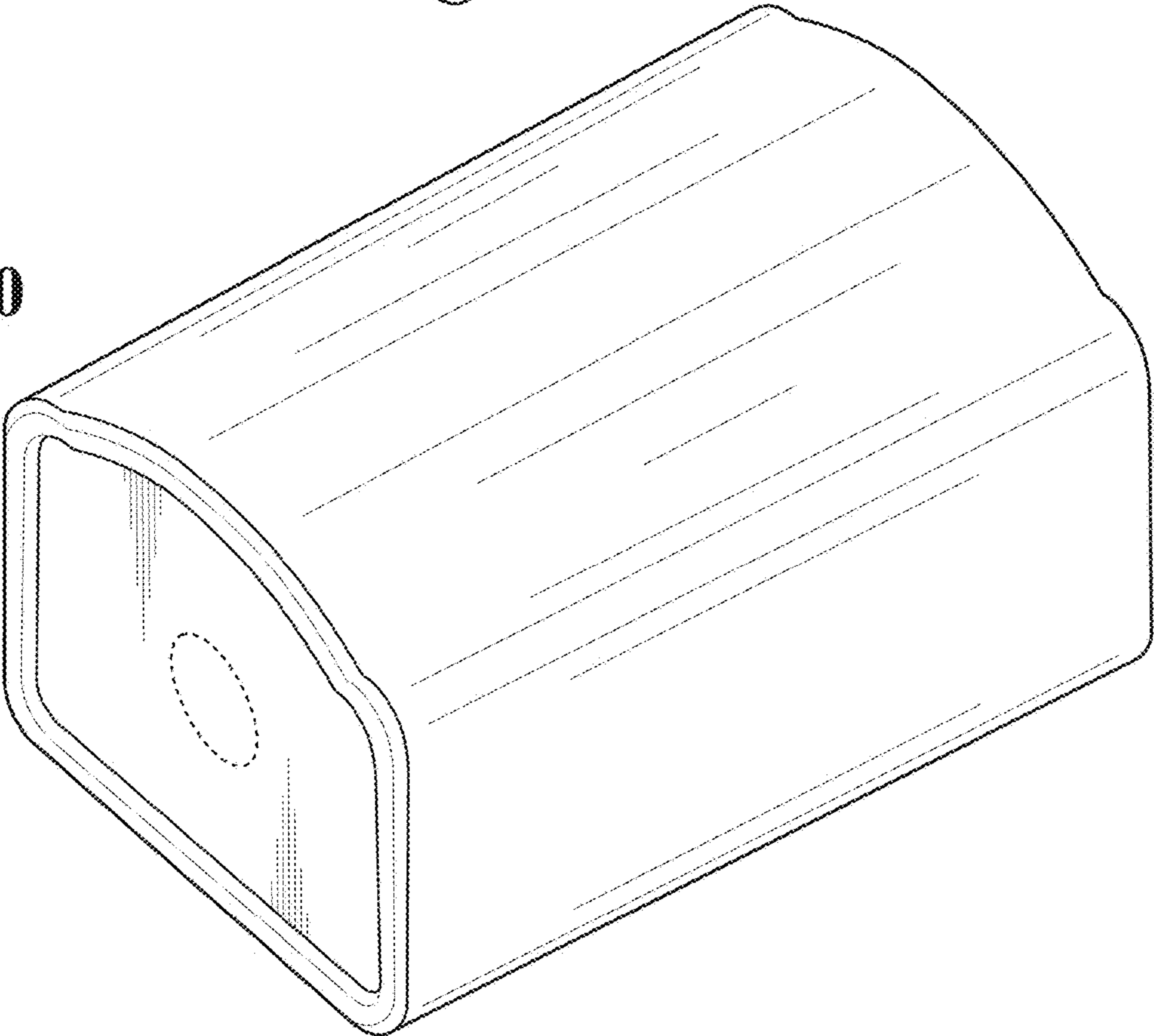
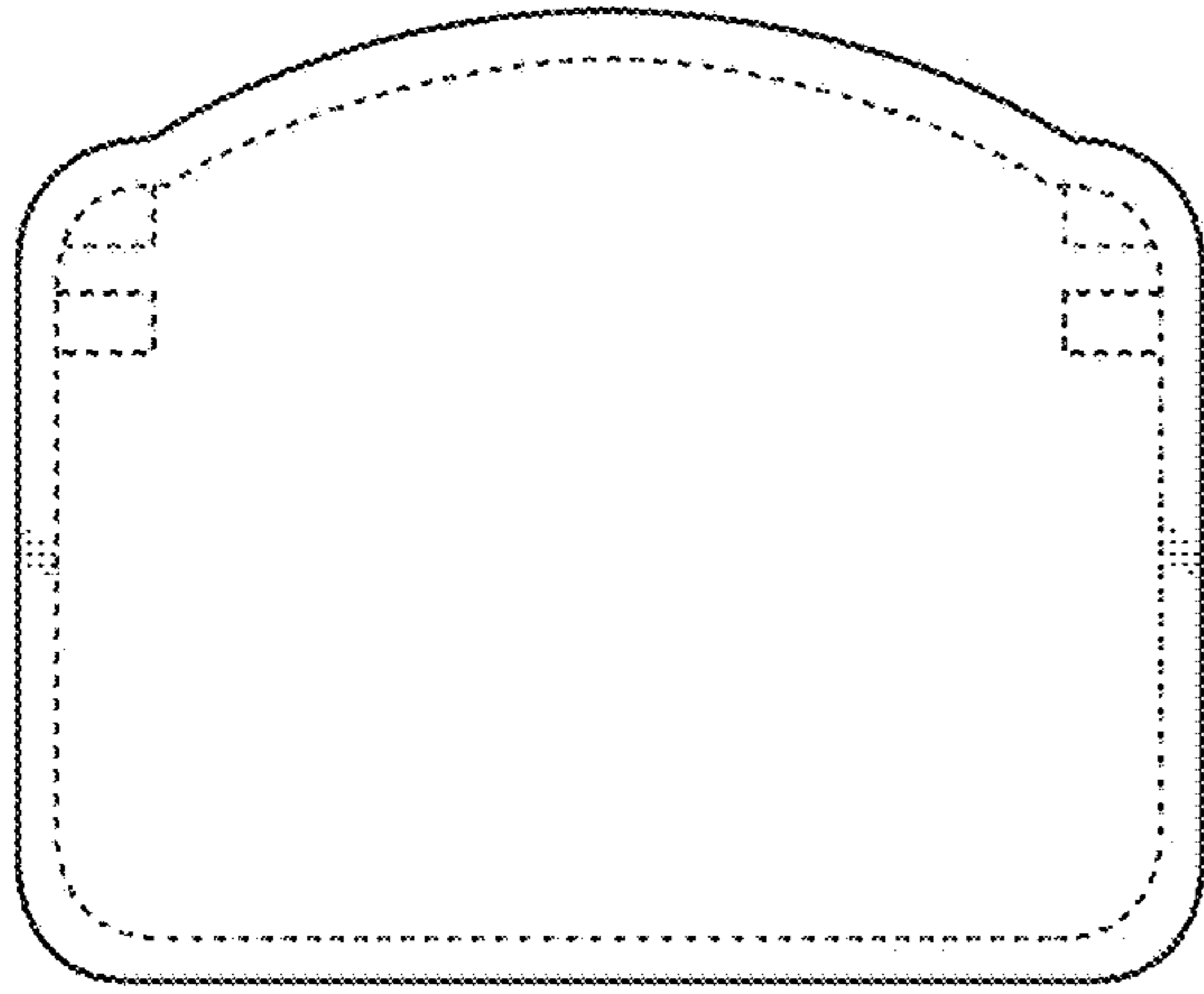
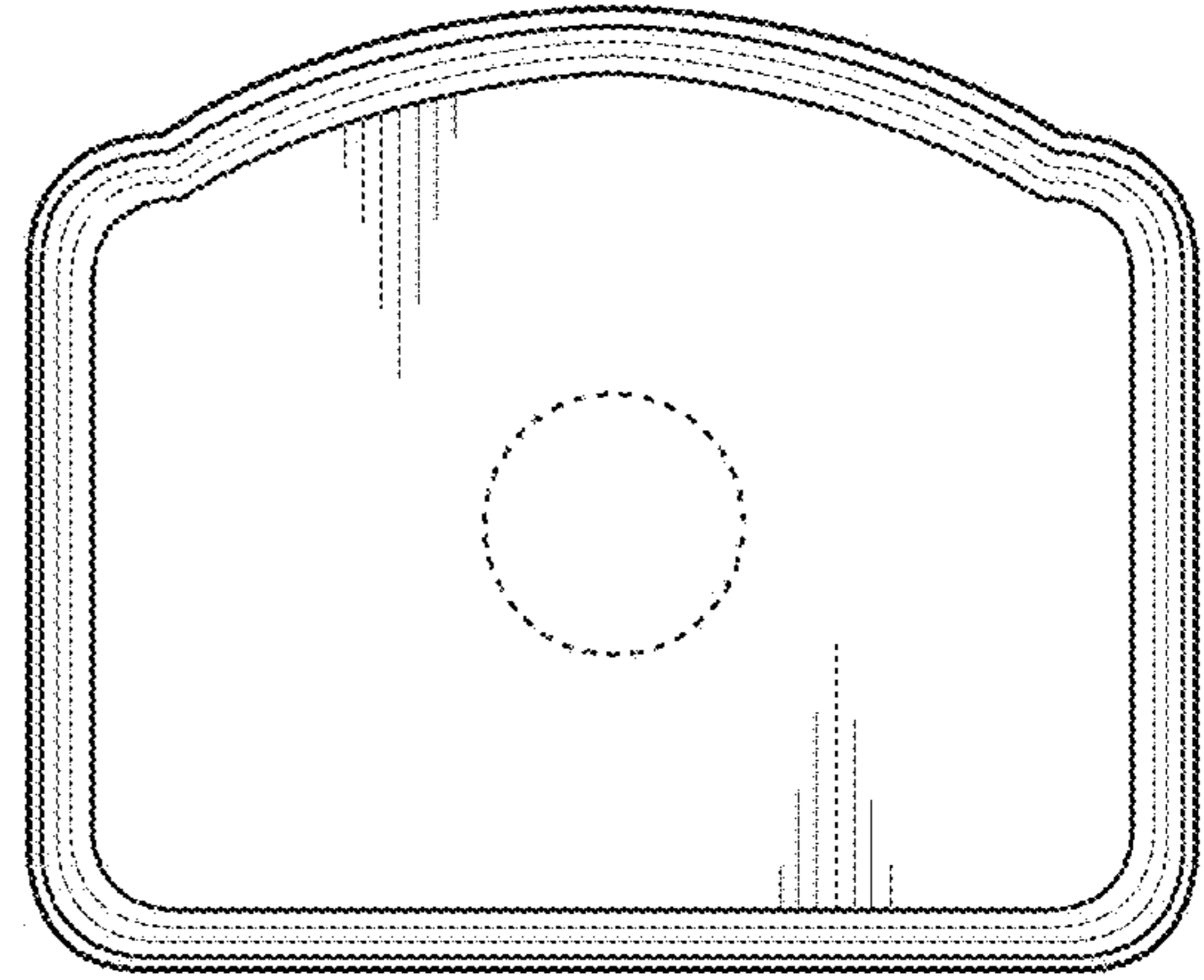


FIG. 10

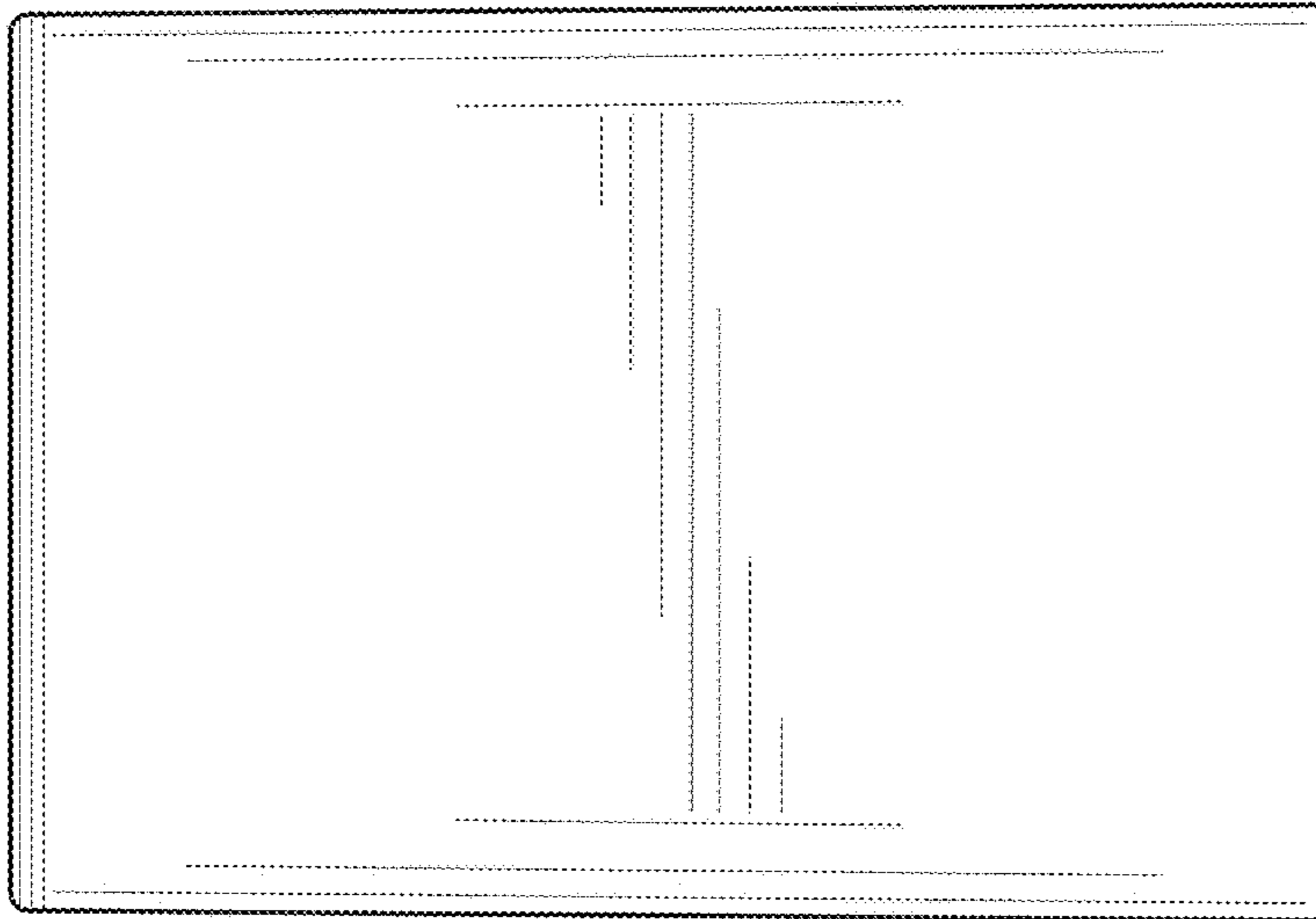




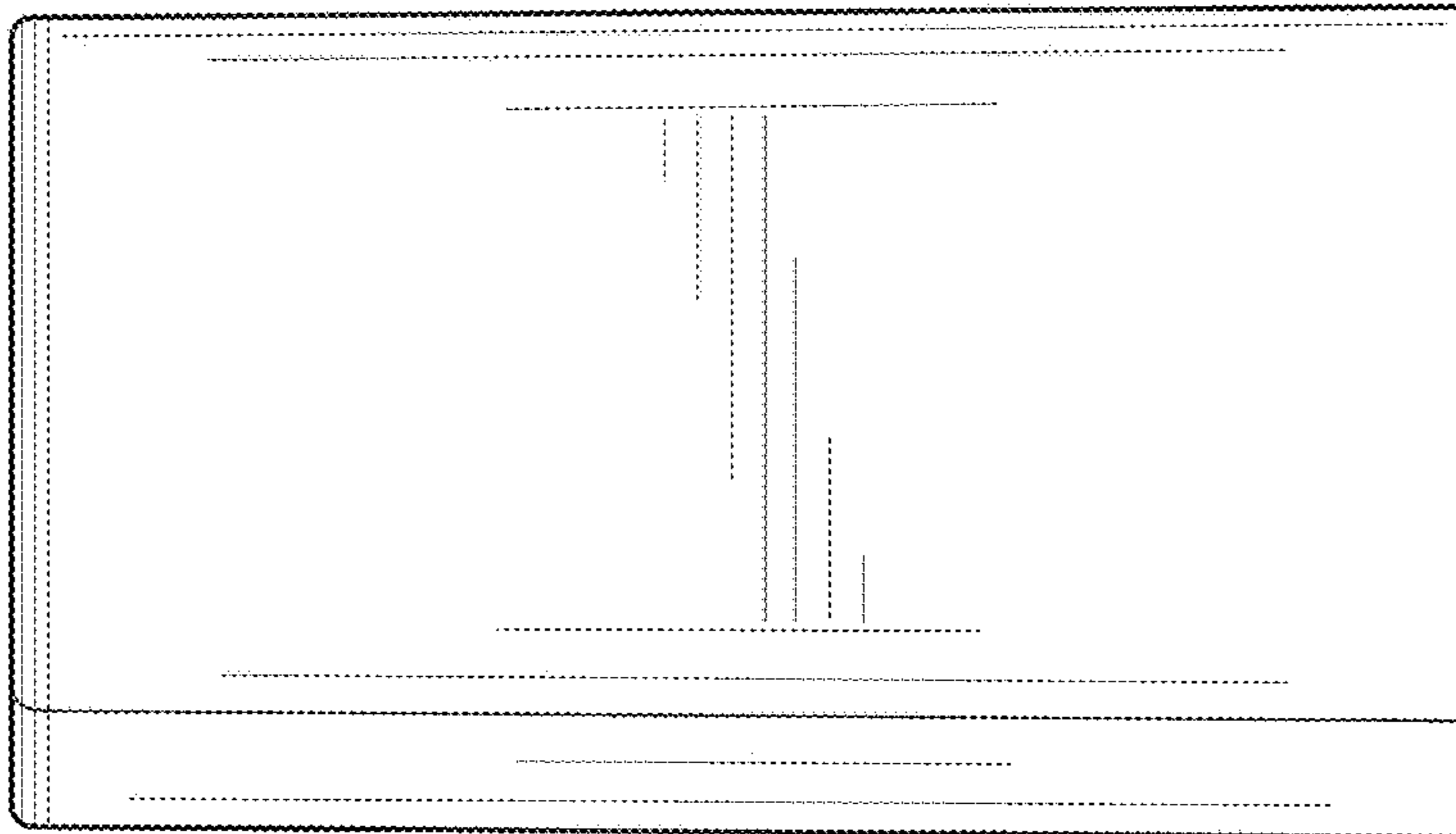
**FIG. 11**



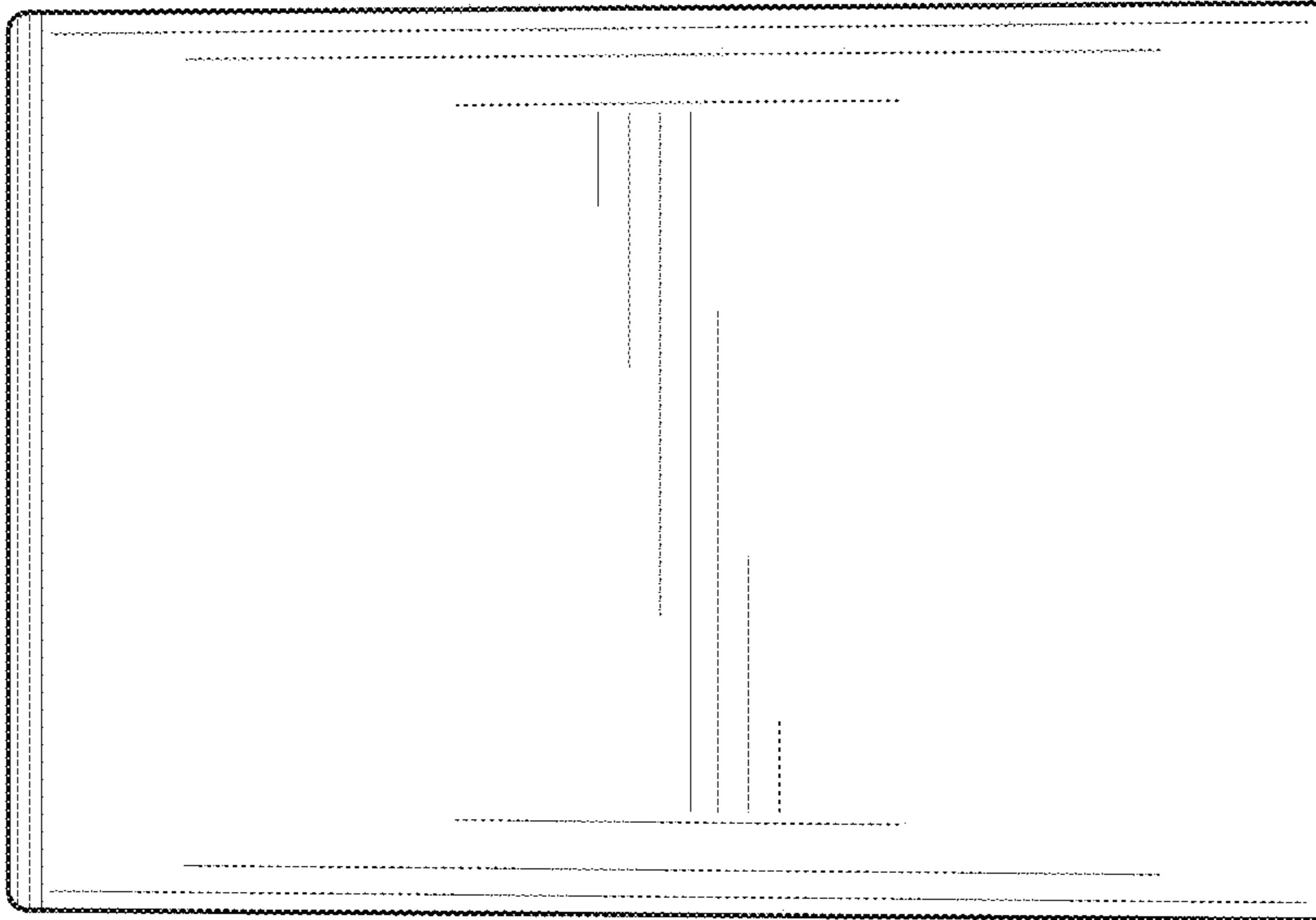
**FIG. 12**



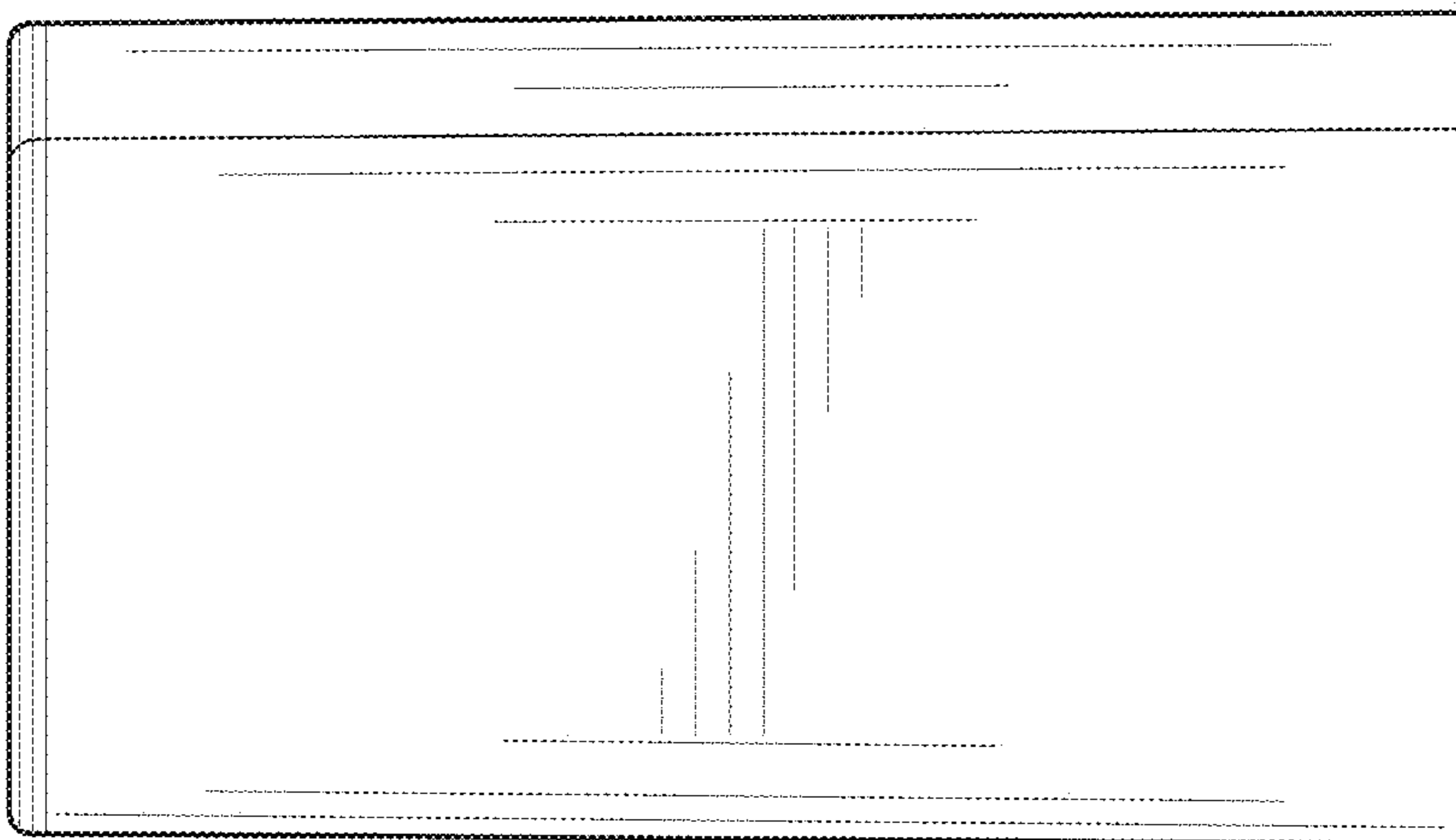
**FIG. 13**



**FIG. 14**



**FIG. 15**



**FIG. 16**