



US00D922966S

(12) **United States Design Patent**
Nada

(10) **Patent No.:** **US D922,966 S**

(45) **Date of Patent:** **** Jun. 22, 2021**

(54) **PROGRAMMABLE CONTROLLER**

(71) Applicant: **OMRON Corporation**, Kyoto (JP)

(72) Inventor: **Heita Nada**, Ritto (JP)

(73) Assignee: **OMRON Corporation**, Kyoto (JP)

(**) Term: **15 Years**

(21) Appl. No.: **29/712,167**

(22) Filed: **Nov. 6, 2019**

(30) **Foreign Application Priority Data**

Jun. 26, 2019 (JP) 2019-014178

(51) **LOC (13) Cl.** **13-03**

(52) **U.S. Cl.**
USPC **D13/162.1**

(58) **Field of Classification Search**
USPC D13/123, 162.1, 164, 184; D15/138
CPC G05B 9/02; G05B 19/05; G05B 19/054;
G05B 19/056

See application file for complete search history.

(56) **References Cited**

U.S. PATENT DOCUMENTS

- D345,137 S * 3/1994 Thomas D13/110
- D345,143 S * 3/1994 Thomas D13/162.1
- D345,144 S * 3/1994 Thomas D13/162.1
- D351,374 S * 10/1994 Shimizu D13/162.1
- D351,589 S * 10/1994 Shimizu D13/162.1
- D418,115 S * 12/1999 Shimizu D13/162.1
- D418,483 S * 1/2000 Shimizu D13/162.1
- D507,542 S * 7/2005 Chiang D13/162.1
- D553,579 S * 10/2007 Takahashi D13/162.1
- D556,218 S * 11/2007 Hansen D13/123
- D559,205 S * 1/2008 Takahashi D13/162.1
- D598,867 S * 8/2009 Nada D13/162.1

- D733,665 S * 7/2015 Ringer D13/162.1
- D758,969 S * 6/2016 Kato D13/123
- D797,672 S * 9/2017 Nada D13/123
- D815,606 S * 4/2018 Nada D13/162.1
- D896,766 S * 9/2020 Kato D13/162.1
- D897,294 S * 9/2020 Kato D13/162.1
- D904,986 S * 12/2020 Klesk D13/159

FOREIGN PATENT DOCUMENTS

CN 208781917 U 4/2019

* cited by examiner

Primary Examiner — Michael C Stout

Assistant Examiner — Fitzgerald L Butac

(74) *Attorney, Agent, or Firm* — Capitol City TechLaw

(57) **CLAIM**

The ornamental design for a programmable controller, as shown and described.

DESCRIPTION

FIG. 1 is a top, front, and right side perspective view of a programmable controller showing my new design;
 FIG. 2 is a front view thereof;
 FIG. 3 is a rear view thereof;
 FIG. 4 is a left side view thereof;
 FIG. 5 is a right side view thereof;
 FIG. 6 is a top view thereof;
 FIG. 7 is a bottom view thereof; and,
 FIG. 8 is a top, front, and right side perspective view thereof with terminal block covers in an opened position.
 The dashed broken lines in the figures show portions of the programmable controller that form no part of the claimed design.

1 Claim, 8 Drawing Sheets

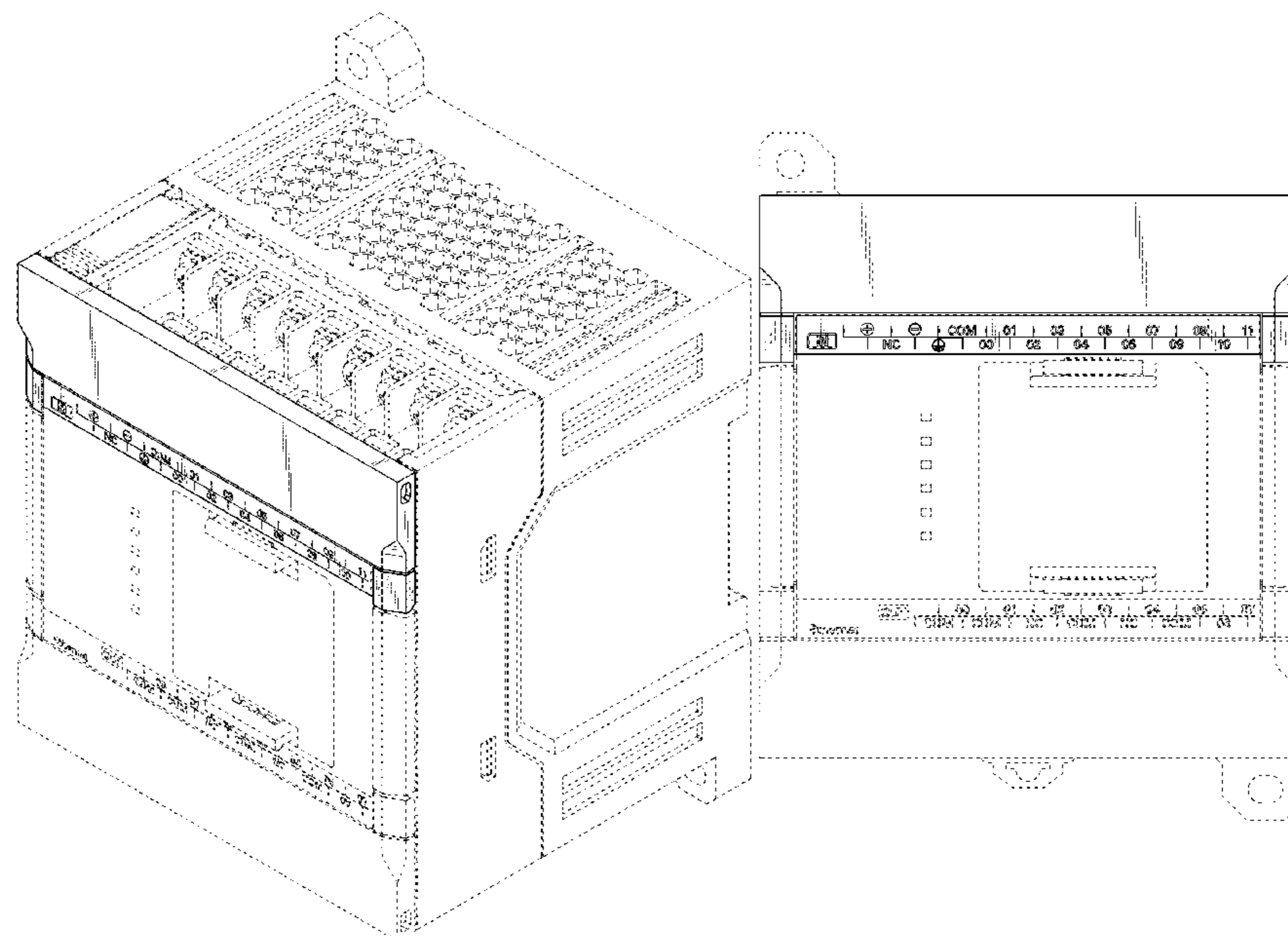


Fig. 1

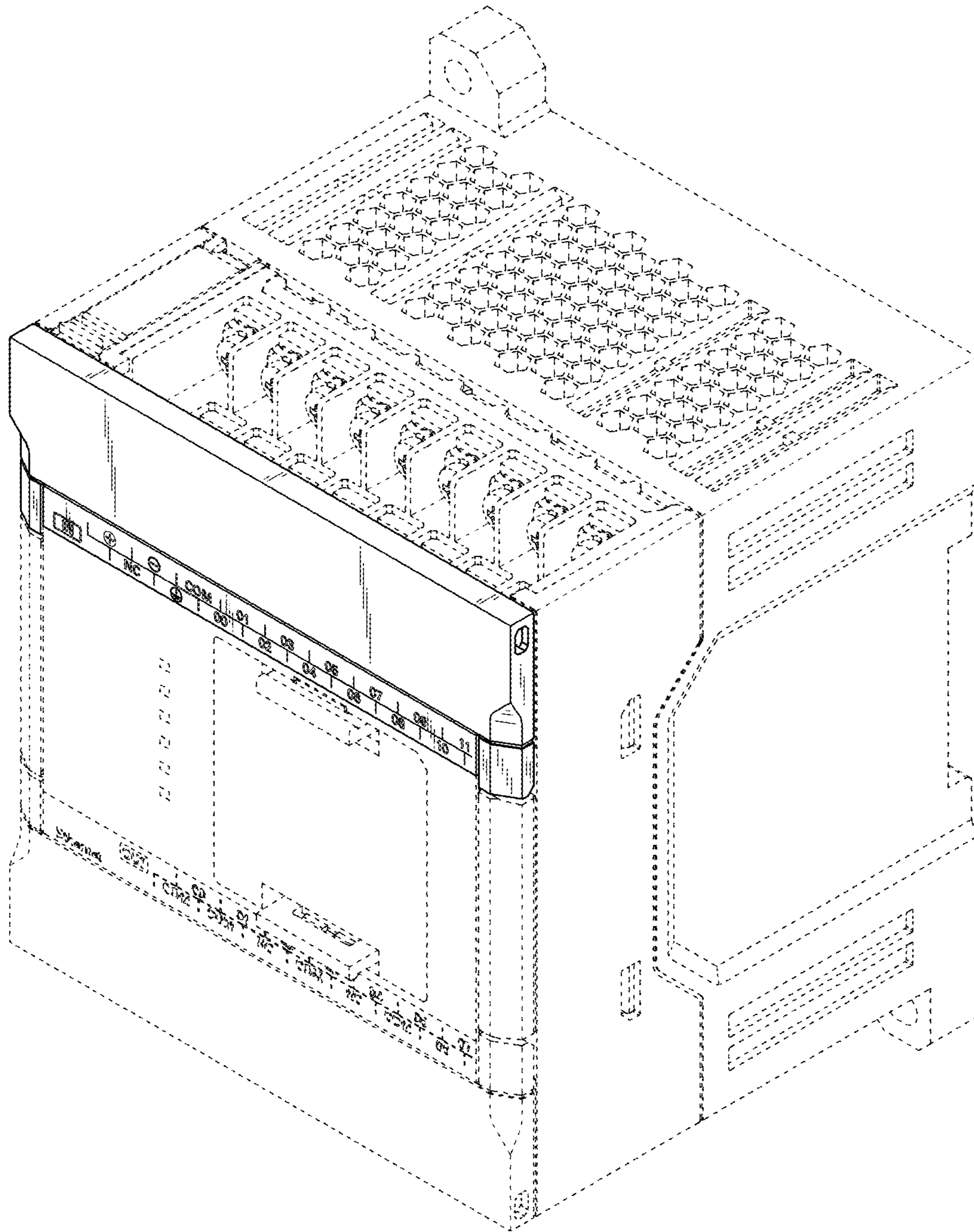


Fig. 2

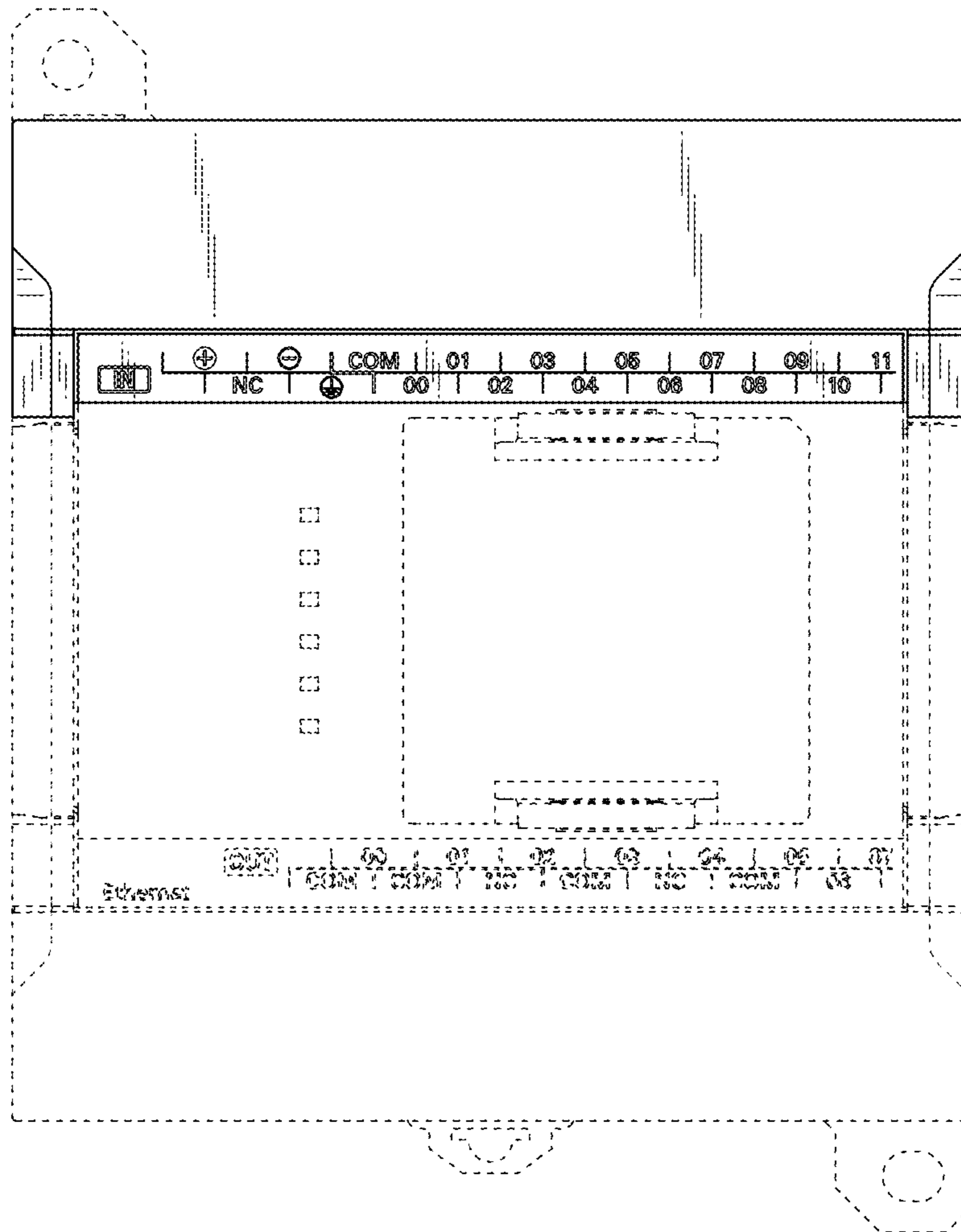


Fig. 3

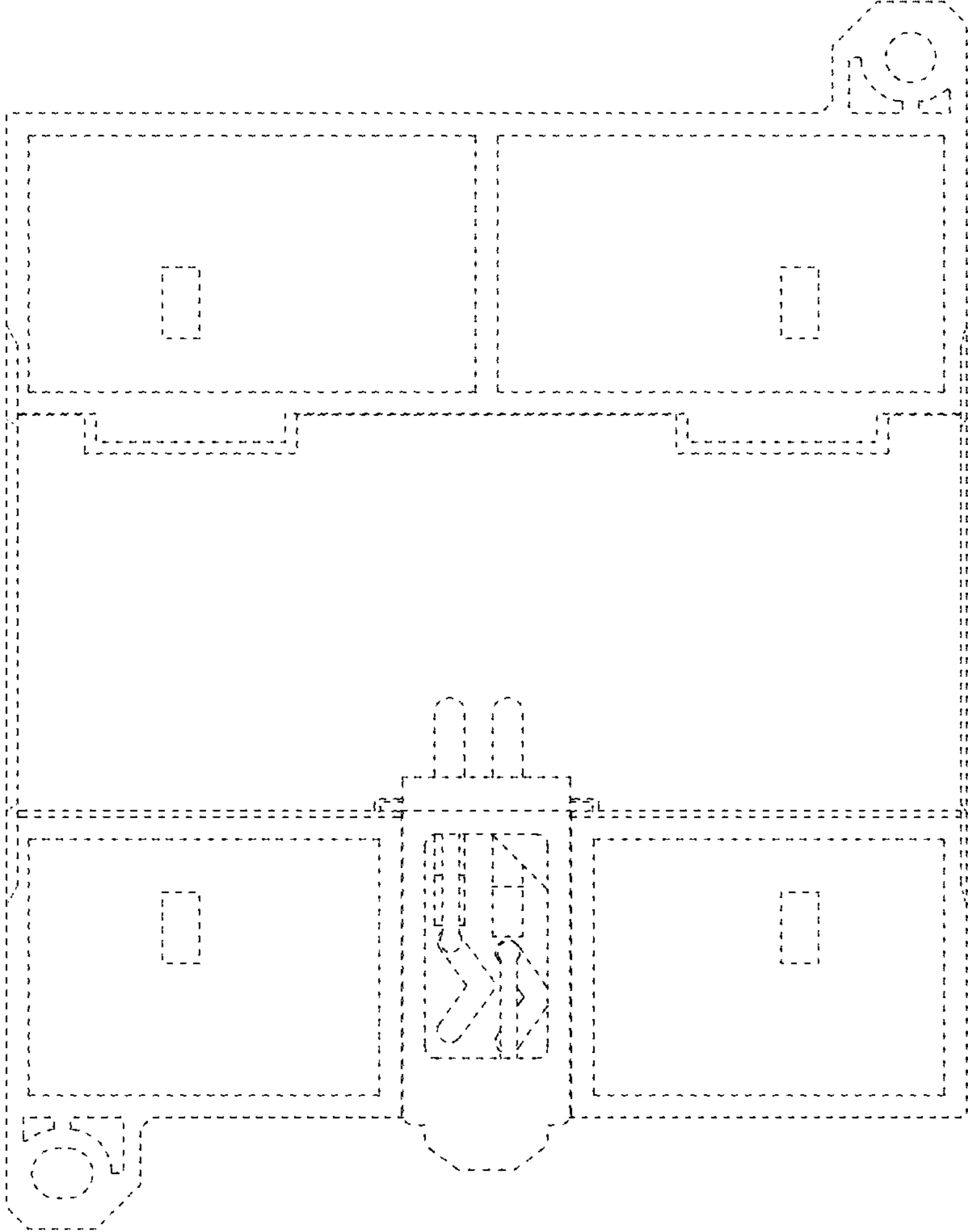


Fig. 4

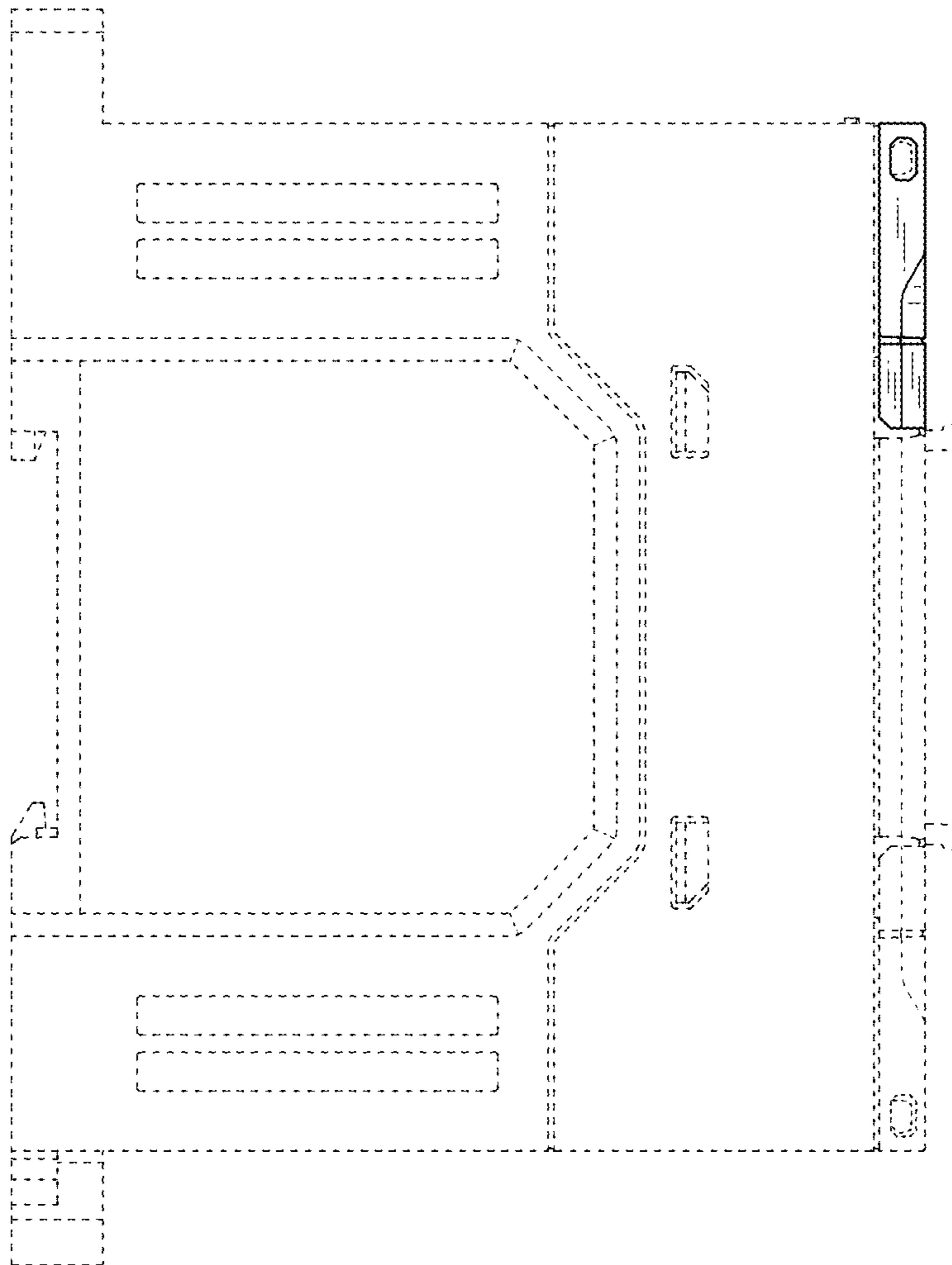


Fig. 5

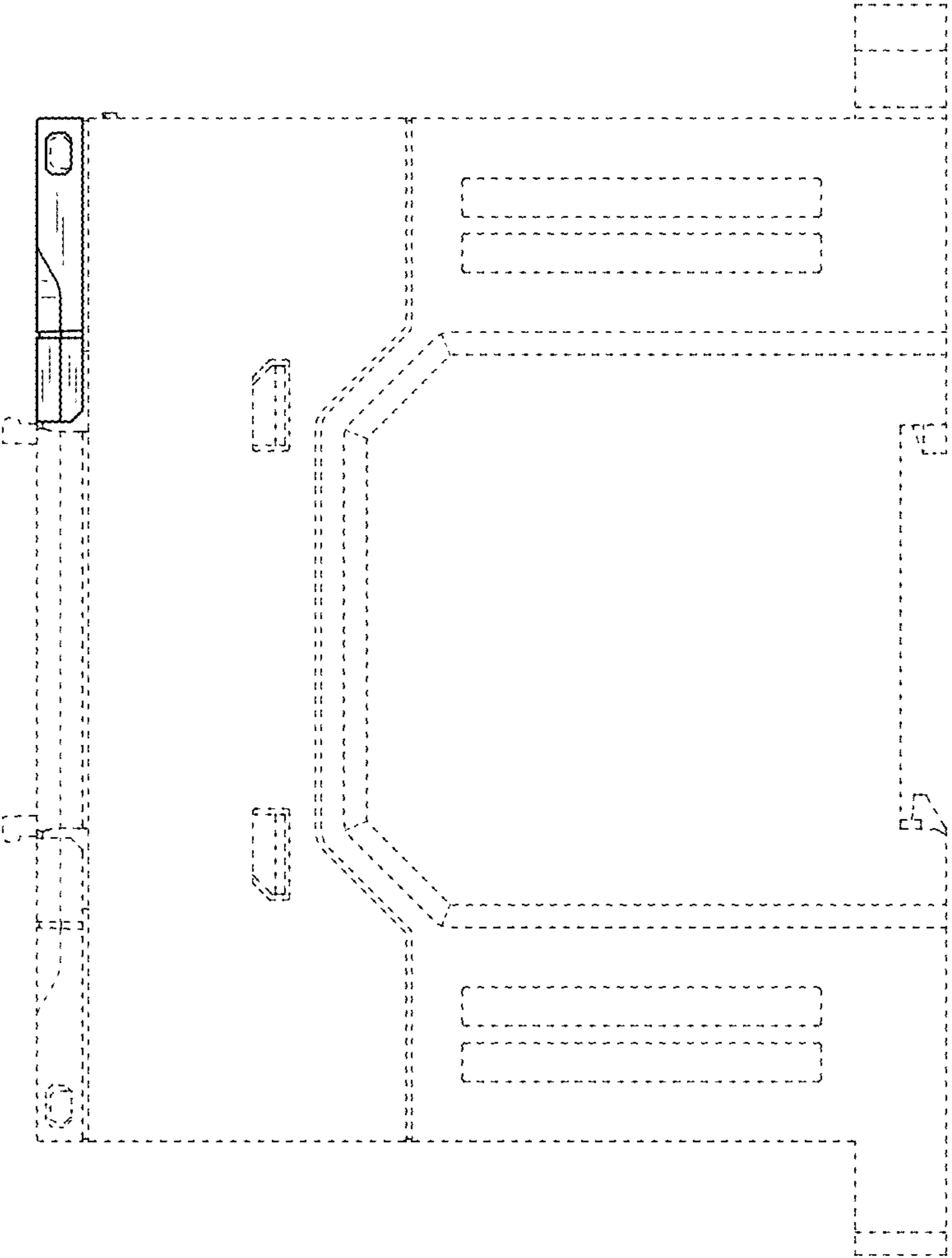


Fig. 6

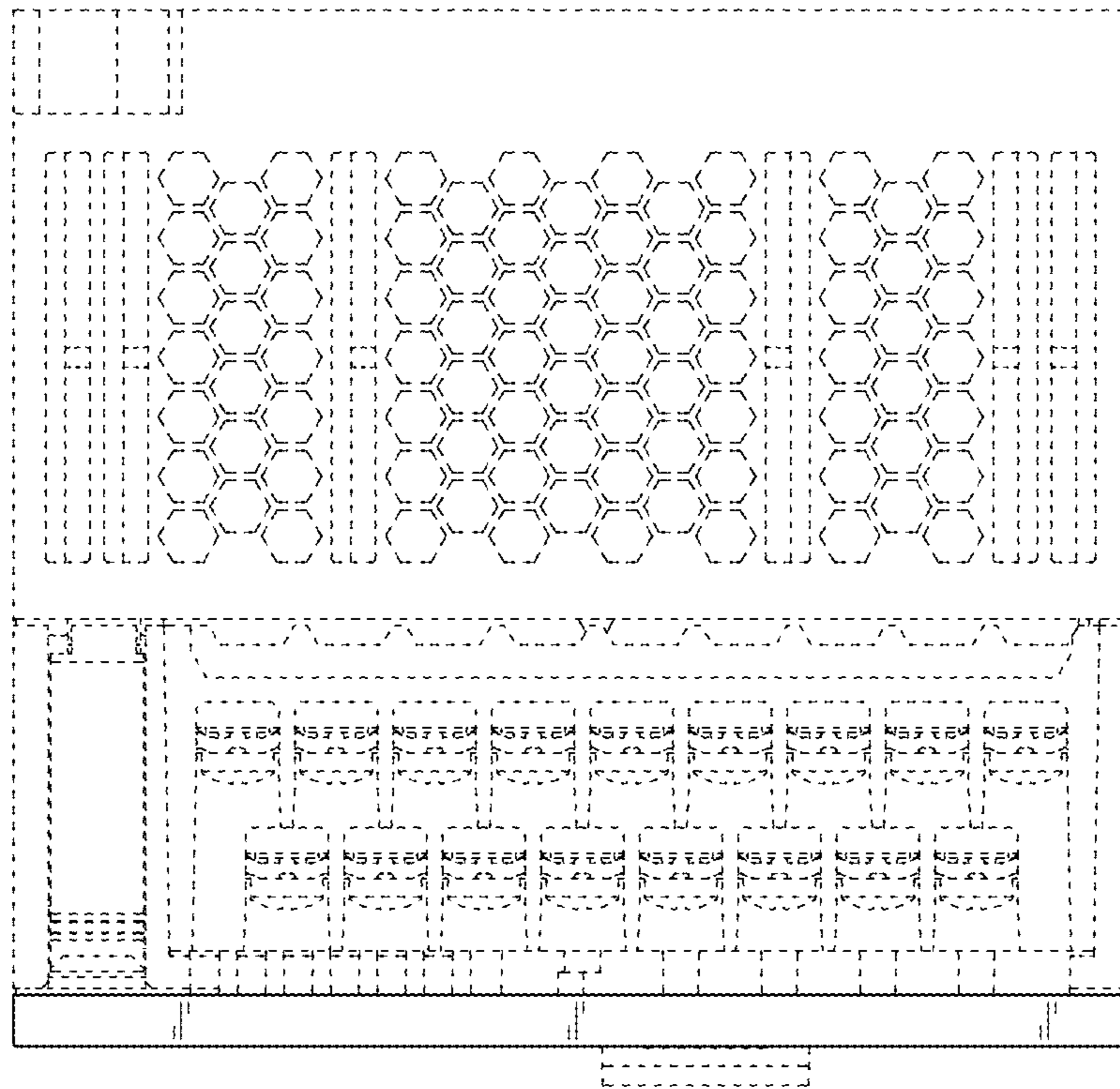


Fig. 7

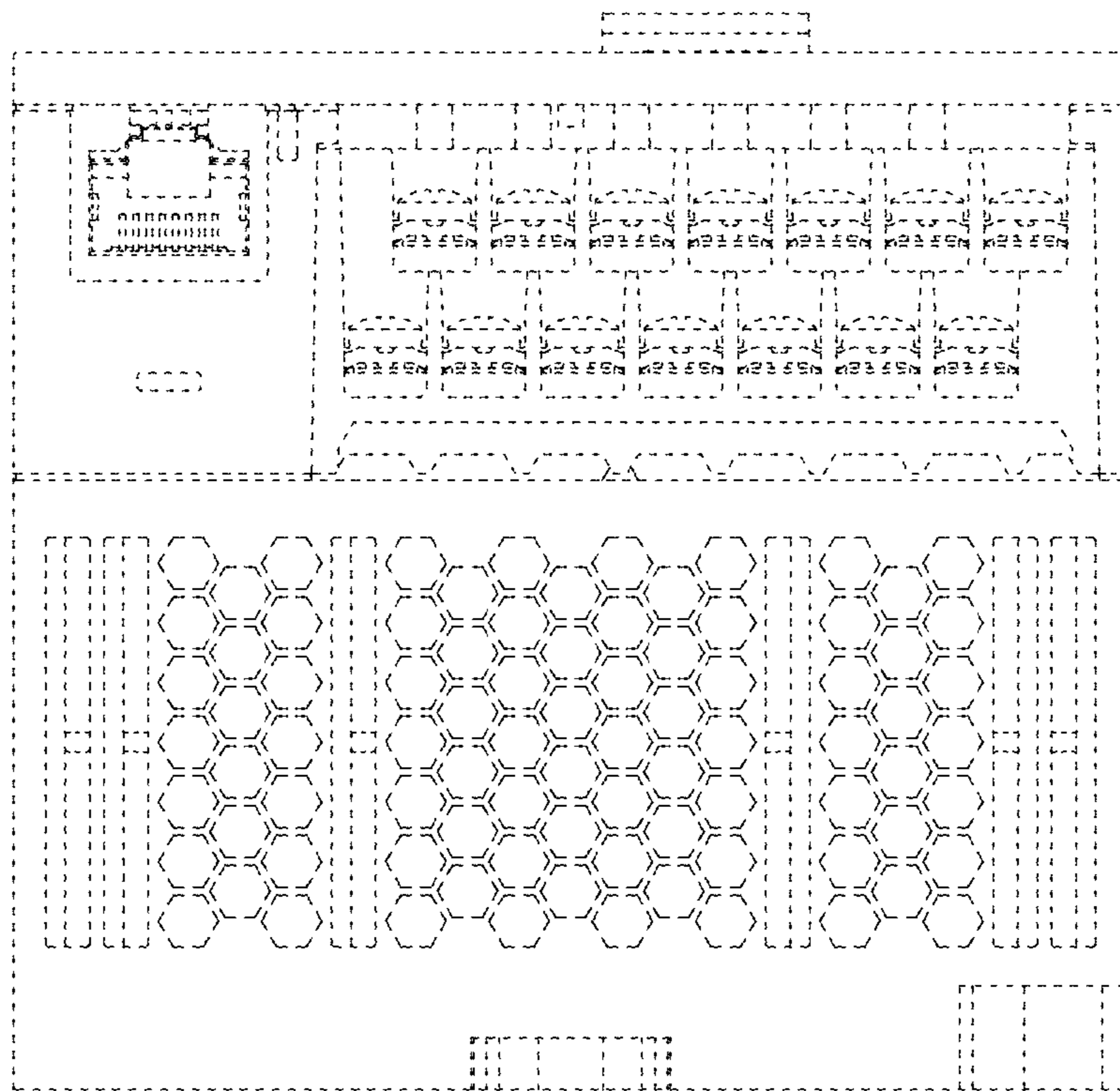


Fig. 8

