



US00D922965S

(12) **United States Design Patent** (10) **Patent No.:** **US D922,965 S**
Altonen et al. (45) **Date of Patent:** **** *Jun. 22, 2021**

(54) **KEYPAD**

(71) Applicant: **Lutron Technology Company LLC**,
Coopersburg, PA (US)

(72) Inventors: **Gregory Altonen**, Easton, PA (US);
Jason C. Killo, Emmaus, PA (US);
Matthew Philip McDonald,
Phoenixville, PA (US); **Sean Tucker**,
Bethlehem, PA (US)

(73) Assignee: **Lutron Technology Company LLC**,
Coopersburg, PA (US)

(*) Notice: This patent is subject to a terminal dis-
claimer.

(**) Term: **15 Years**

(21) Appl. No.: **29/634,277**

(22) Filed: **Jan. 19, 2018**

Related U.S. Application Data

(63) Continuation of application No. 29/616,874, filed on
Sep. 9, 2017.

(51) **LOC (13) Cl.** **13-03**

(52) **U.S. Cl.**
USPC **D13/162**

(58) **Field of Classification Search**
USPC D13/162, 164, 171, 177

(Continued)

(56) **References Cited**

U.S. PATENT DOCUMENTS

1,796,226 A * 3/1931 Tombler H02G 3/14
16/DIG. 2
2,215,260 A * 9/1940 Woodward H01H 9/161
248/27.3

(Continued)

OTHER PUBLICATIONS

Knightsbridge Catalogue, Lighting and Wiring Accessories, 2015,
p. 8, 36; [https://issuu.com/mlaccessorieslimited/docs/2015_mla_](https://issuu.com/mlaccessorieslimited/docs/2015_mla_catalogue)
[catalogue.*](https://issuu.com/mlaccessorieslimited/docs/2015_mla_catalogue)

(Continued)

Primary Examiner — Selina Sikder
(74) *Attorney, Agent, or Firm* — Saidman DesignLaw
Group, LLC

(57) **CLAIM**

The ornamental design for a keypad, as shown and
described.

DESCRIPTION

FIG. 1 is a front perspective view of a keypad showing our
new design;

FIG. 2 is a front view thereof;

FIG. 3 is a left side view thereof;

FIG. 4 is a right side view thereof;

FIG. 5 is a top view thereof;

FIG. 6 is a bottom view thereof;

FIG. 7 is a front perspective view of a second embodiment
thereof;

FIG. 8 is a front view thereof;

FIG. 9 is a left side view thereof;

FIG. 10 is a right side view thereof;

FIG. 11 is a top view thereof;

FIG. 12 is a bottom view thereof;

FIG. 13 is a front perspective view of a third embodiment
thereof;

FIG. 14 is a front view thereof;

FIG. 15 is a left side view thereof;

FIG. 16 is a right side view thereof;

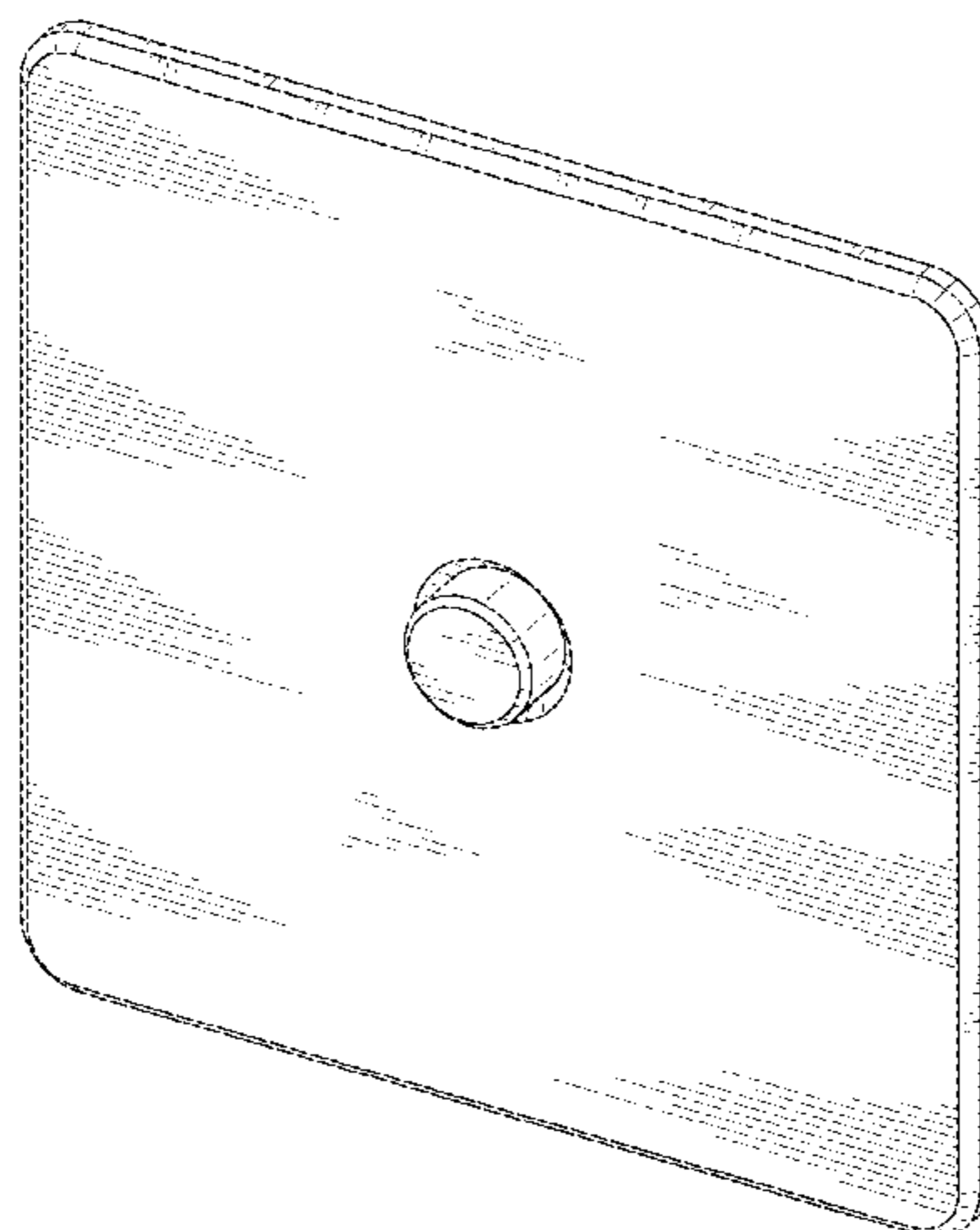
FIG. 17 is a top view thereof; and,

FIG. 18 is a bottom view thereof.

The contour of the buttons in FIGS. 7-18 is the same as the
contour of the buttons in FIGS. 1-6.

The dark gray shading represents a matte surface, not
surface ornamentation or any particular color.

(Continued)



The light gray shading represents a reflective/shiny surface, not surface ornamentation or any particular color.

1 Claim, 12 Drawing Sheets

(58) Field of Classification Search

CPC .. H01H 3/12; H01H 9/02; H01H 9/16; H01H 9/18; H01H 9/181; H01H 9/182; H01H 13/04; H01H 13/14; H01H 2009/187; H05B 37/02; H05B 37/0254; H05B 37/0272; H05B 39/02; H05B 39/04; H05B 39/085; H05B 39/086; H05B 39/088

See application file for complete search history.

(56) References Cited

U.S. PATENT DOCUMENTS

3,185,803	A *	5/1965	Driscoll	H01H 13/12	200/296
3,186,981	A *	6/1965	De Ronde	H01H 9/286	200/318
D360,235	S *	7/1995	Emrys-Roberts	D14/401	
D433,954	S *	11/2000	Delsart	D10/108	
D453,742	S *	2/2002	Butler	D13/164	
D510,074	S *	9/2005	Larson	D13/164	
D547,273	S *	7/2007	Miarta	D13/164	
D573,956	S *	7/2008	Hollner	D13/164	
D595,240	S *	6/2009	Busbridge	D13/164	
D621,795	S *	8/2010	Tsui	D13/171	
D635,102	S *	3/2011	Tsui	D13/171	

D652,087	S *	1/2012	Dawes	D21/489
D663,700	S *	7/2012	Deal	D13/162
D777,688	S *	1/2017	Seidl	D13/171
2010/0059351	A1 *	3/2010	Wu	A47B 13/12
				200/341
2010/0270138	A1 *	10/2010	Yamanaka	H01H 13/7057
				200/341

OTHER PUBLICATIONS

LEGRAND, Mallia Catalogue, "Look Touch Love Woo," Apr. 2010 (28 pages).*

Clipsal 4061PBLHB; Mar. 31, 2014; 1 pg; <https://www.bing.com/videos/search?q=saturn+horizon+switch&&view=detail&mid=29784129A37E9021BA0629784129A37E9021BA06&&FORM=VRDGAR&ru=%2Fvideos%2Fsearch%3Fq%3Dsaturn%2Bhorizon%2Bswitch%26%26FORM%3DVDVXX>.*

CLIPSAL 4063PB Push Button Switch; before 2017; 1 pg.*

TOPSHALL Illuminated Wall Mount Push Switch; before 2017; 1 pg; https://www.google.com/search?hl=en&biw=1536&bih=813&tbm=isch&sa=1&ei=Op-fXblw5qSCB9e7olAO&q=push+button+dimmer+switch+before+2017&oq=push+button+dimmer+switch+before+2017&gs_l=img.3...3379.7032..8742...0.0..0.67.630.12.....0....1..gws-wiz-img.*

RetroTouch 4 Gang 2 way Dimmer CT 02100; <https://www.lightswitchesandplugsockets.co.uk/retrotouch-4-gang-2-way-dimmer-switch-3-200w-led--halogen-white-glass-ct-02100-4720-p.asp>.*

Varilight—Catalogue; <https://www.varilight.co.uk/varilight-catalogue.pdf>.*

<http://www.legrand.com.vn/mallia/downloads/mallia.pdf>, 2010, 30 pages.*

* cited by examiner

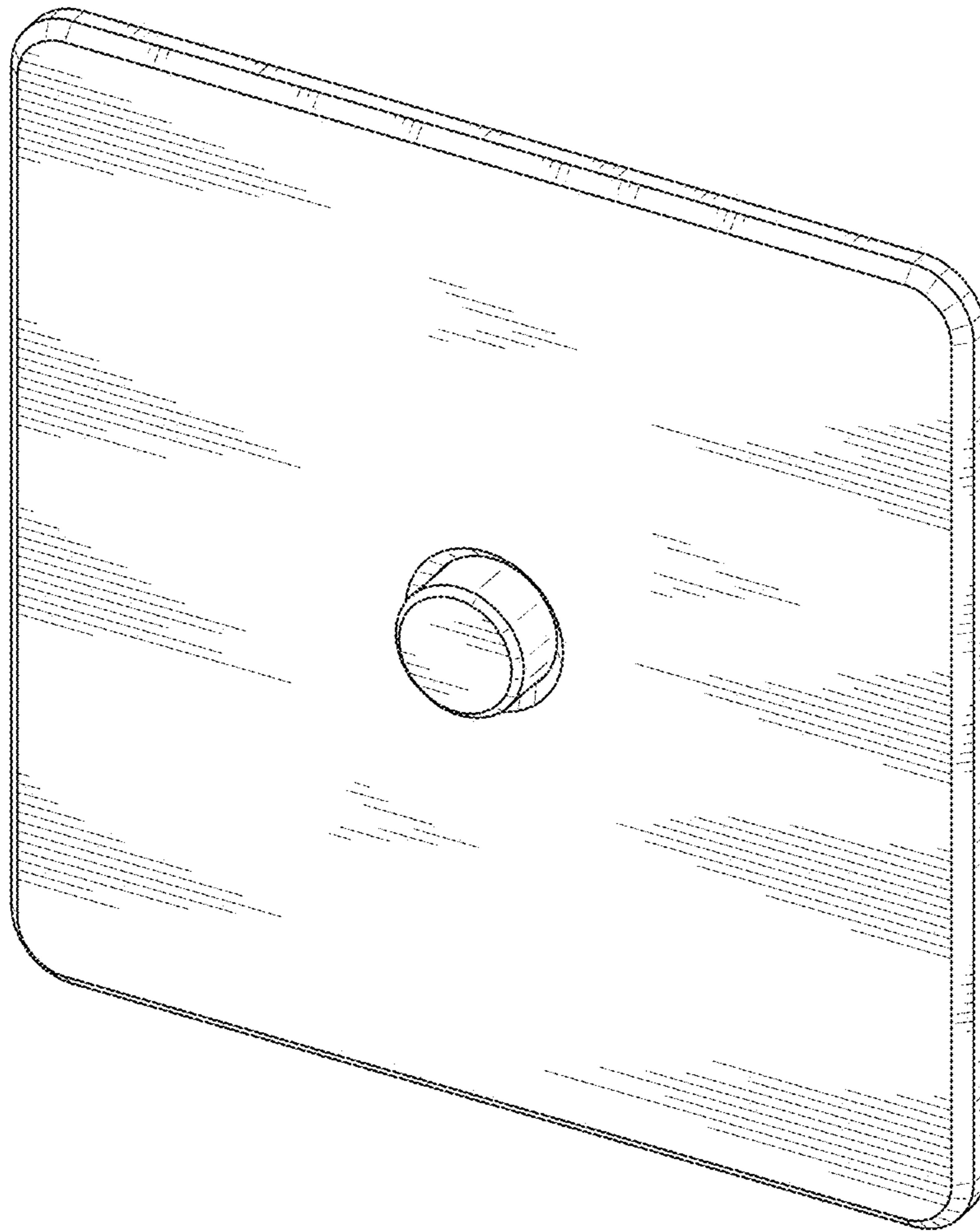


FIG. 1

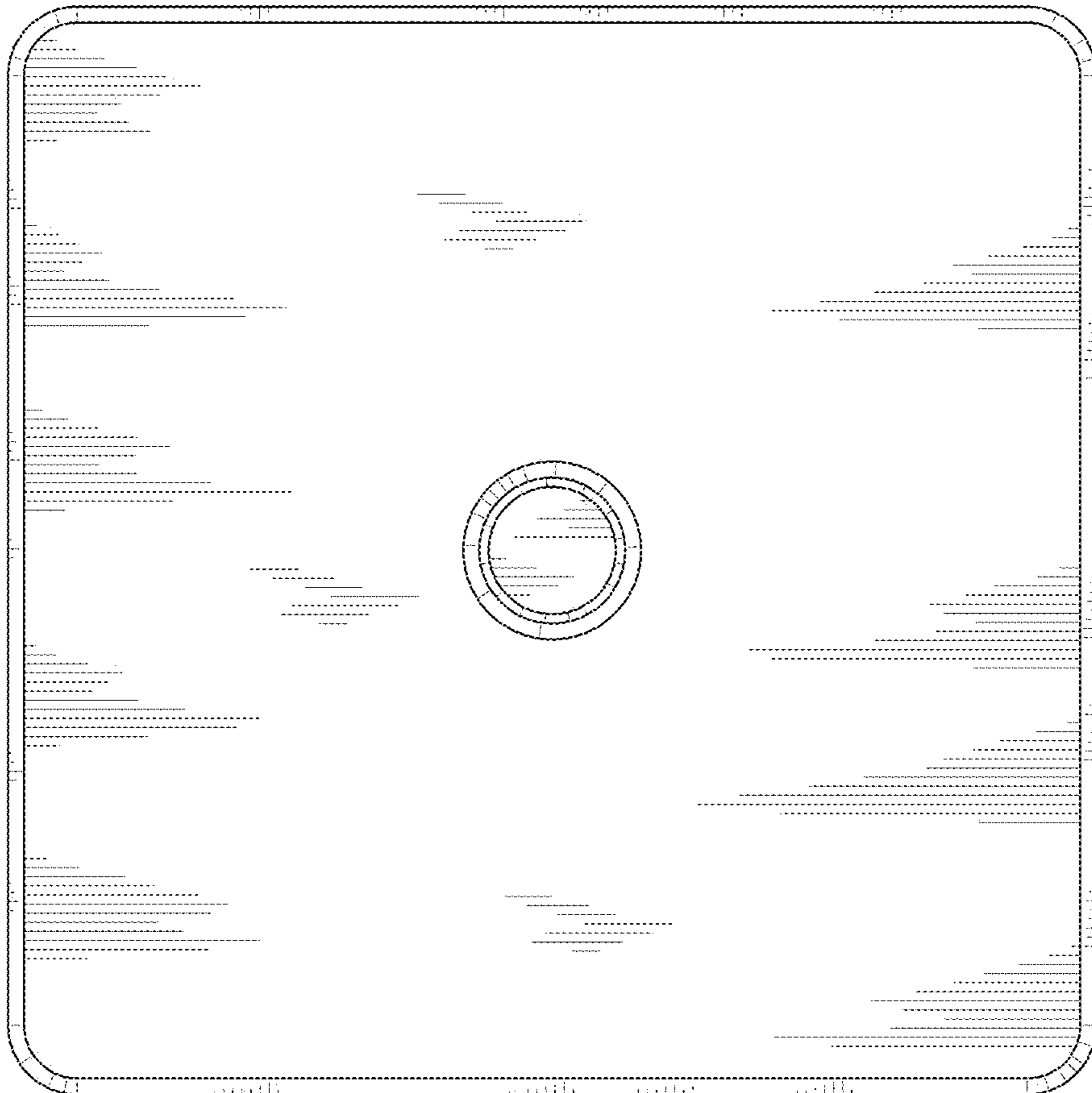


FIG. 2

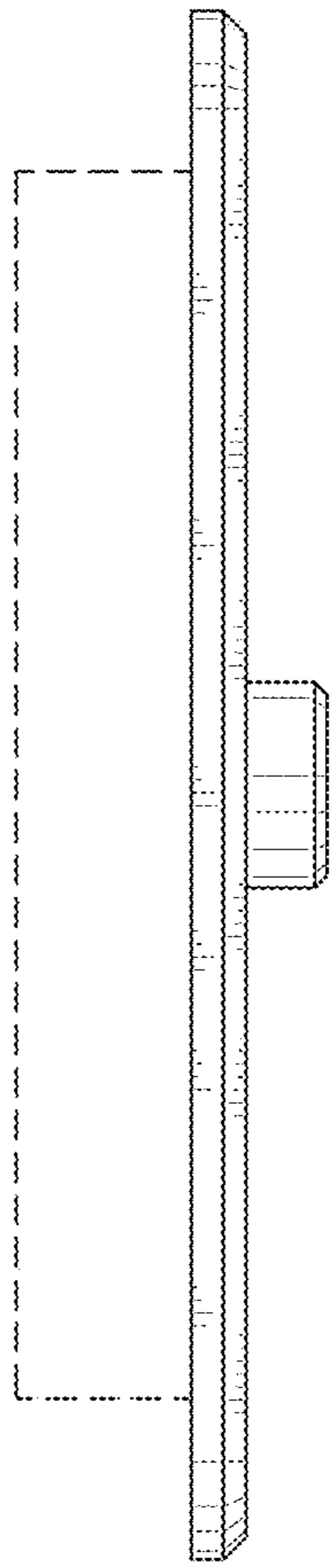


FIG. 3

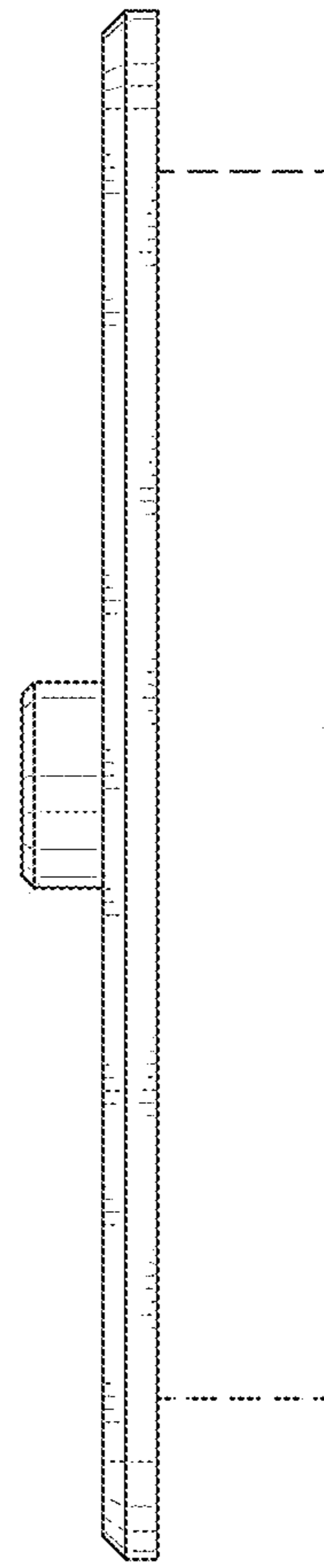


FIG. 4

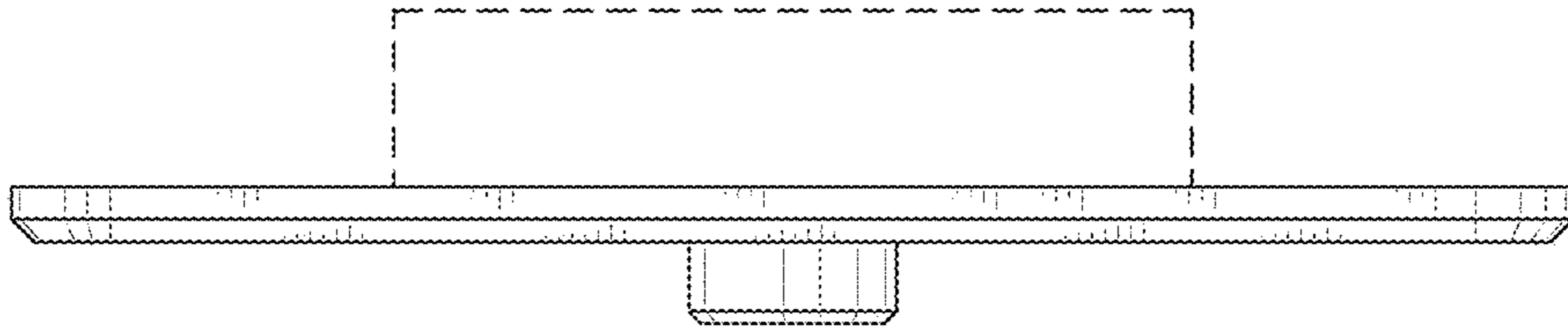


FIG. 5

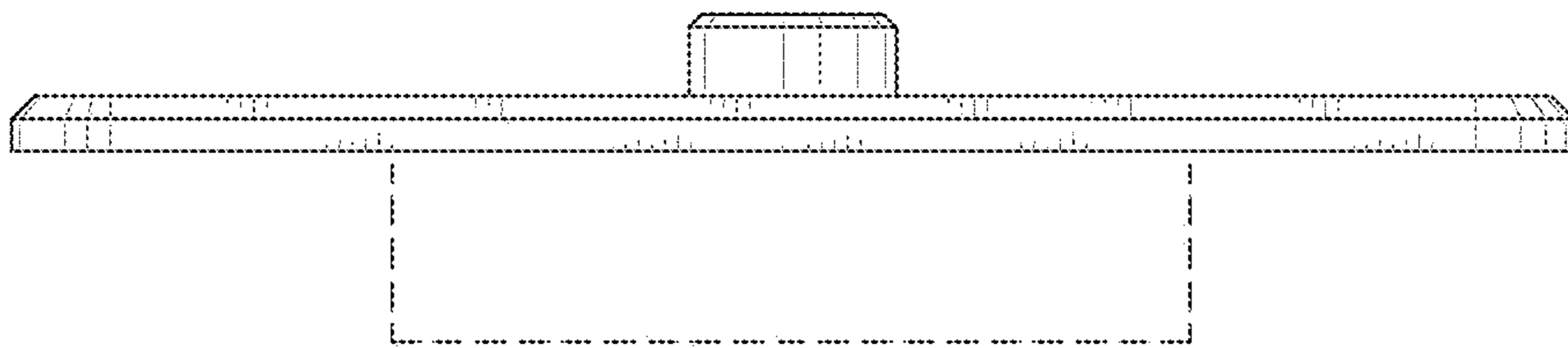


FIG. 6

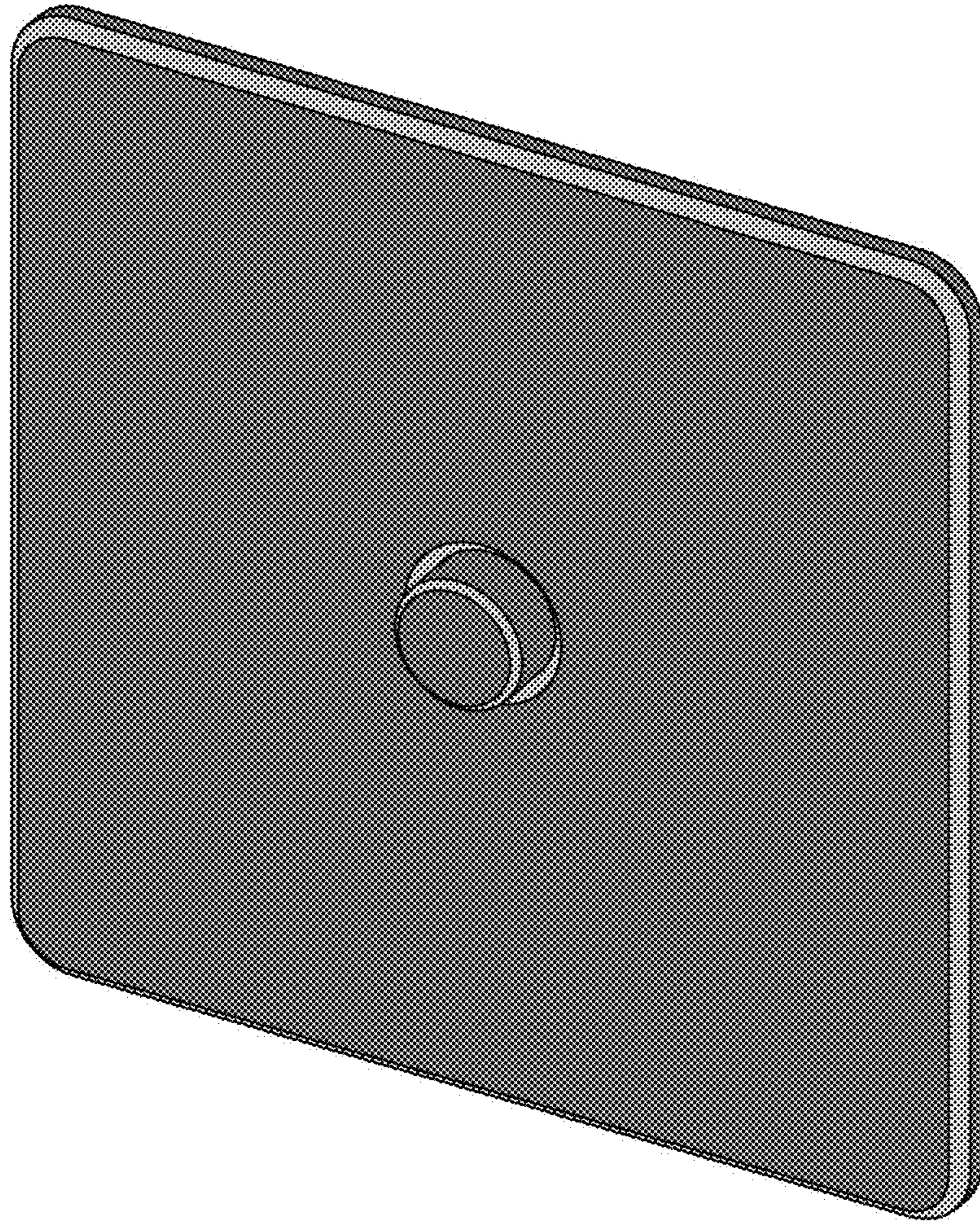


FIG. 7

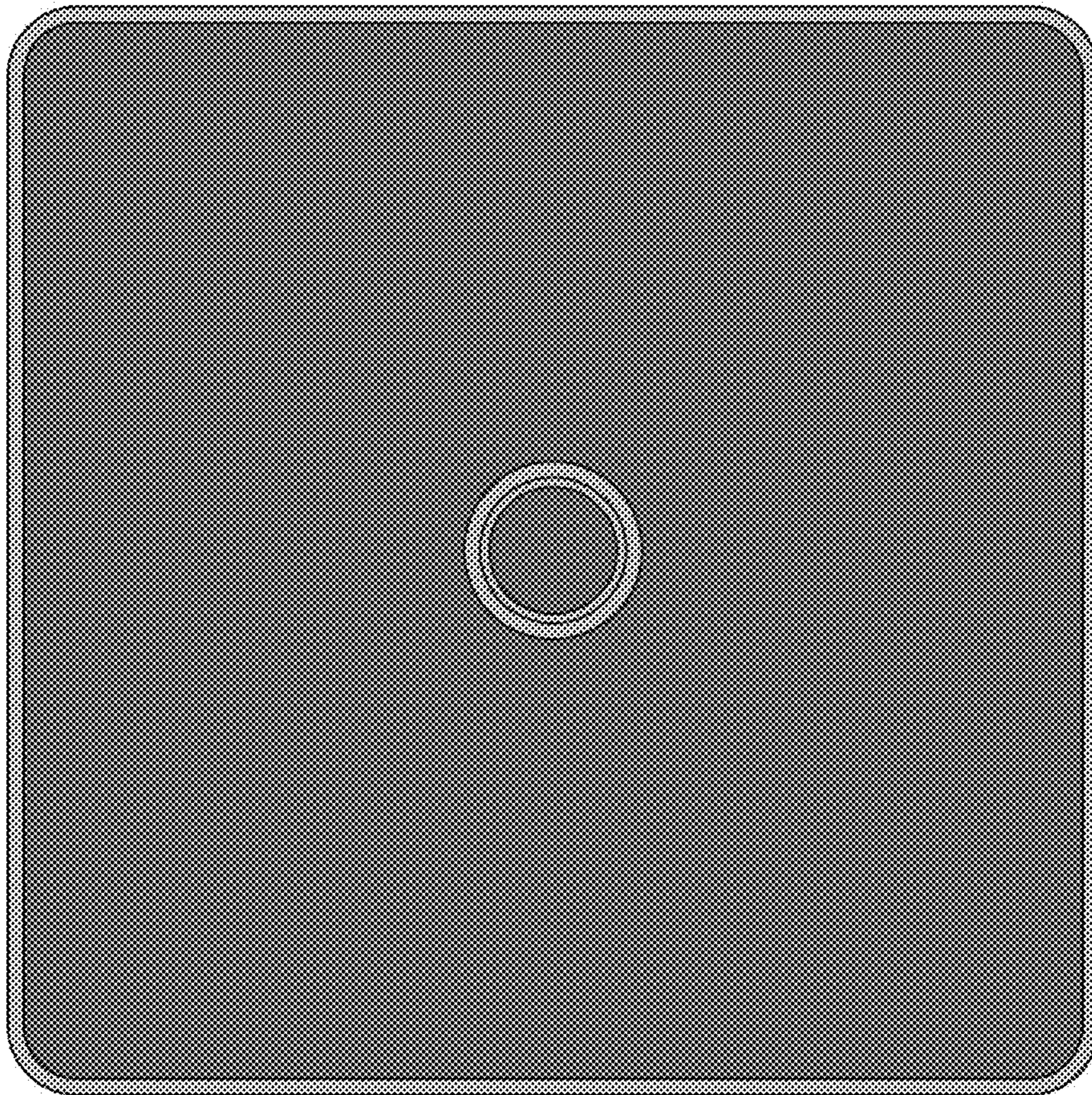


FIG. 8

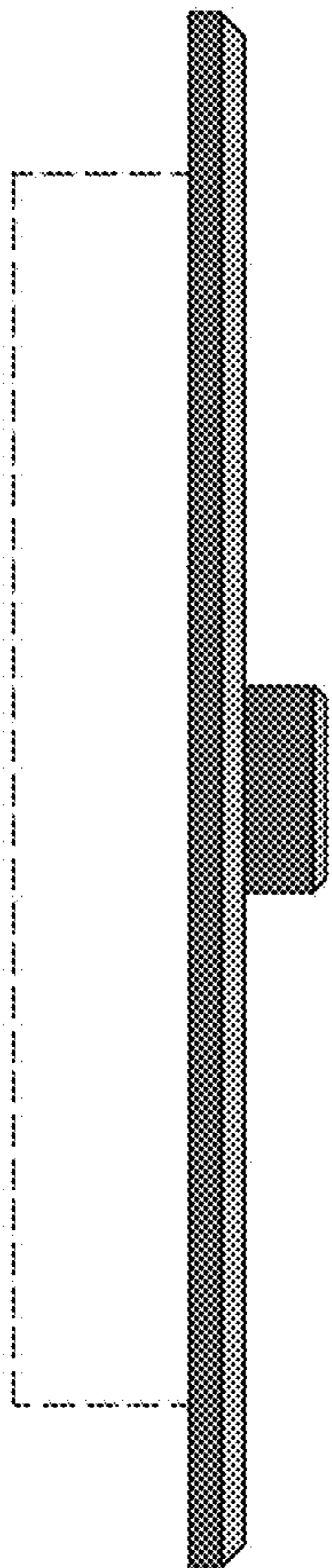


FIG. 9

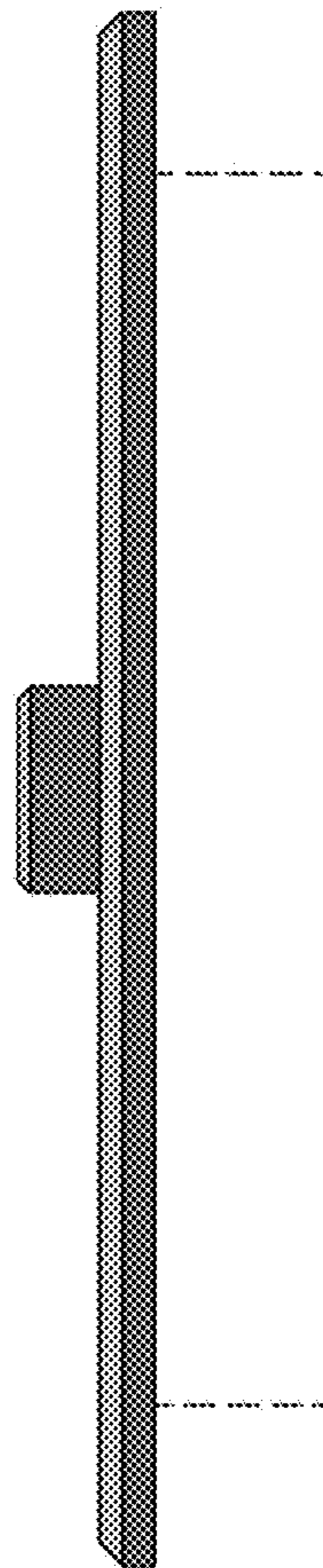


FIG. 10

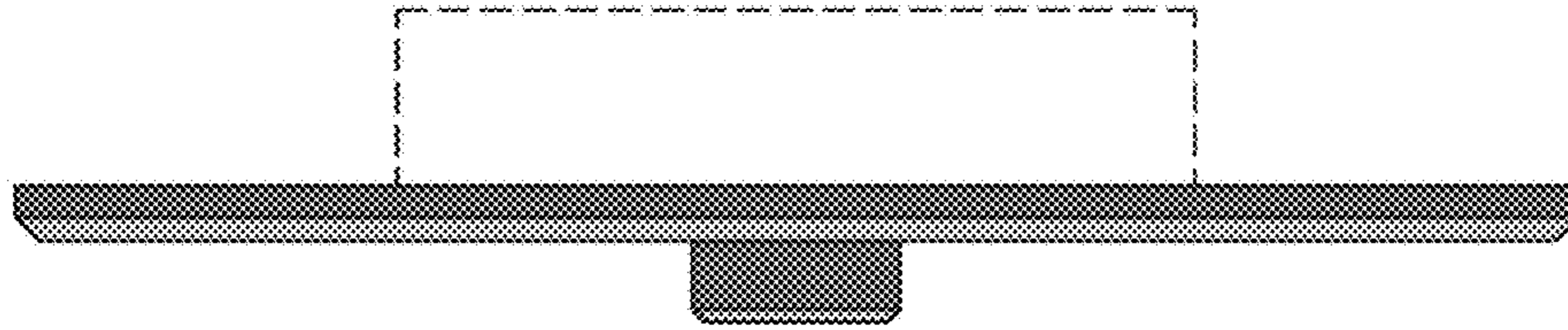


FIG. 11

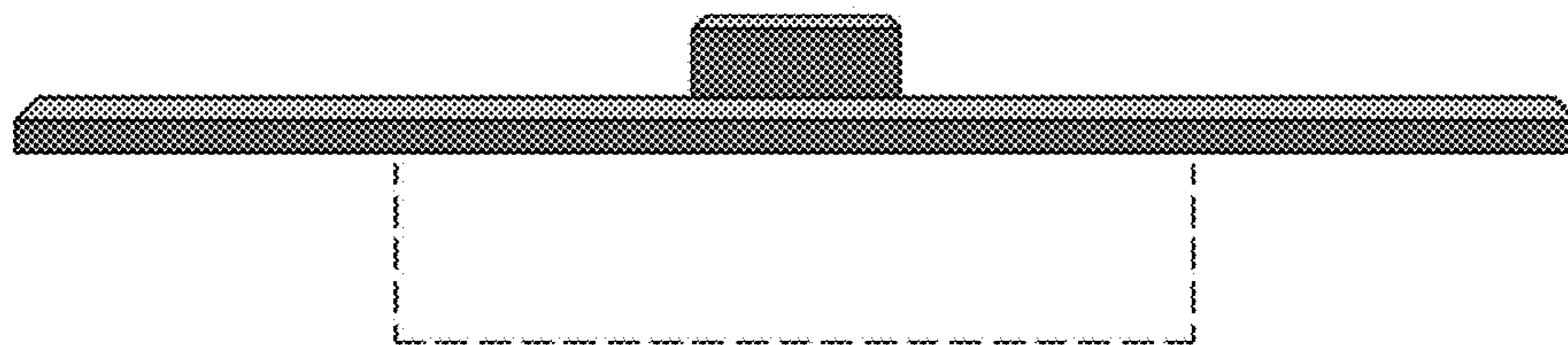


FIG. 12

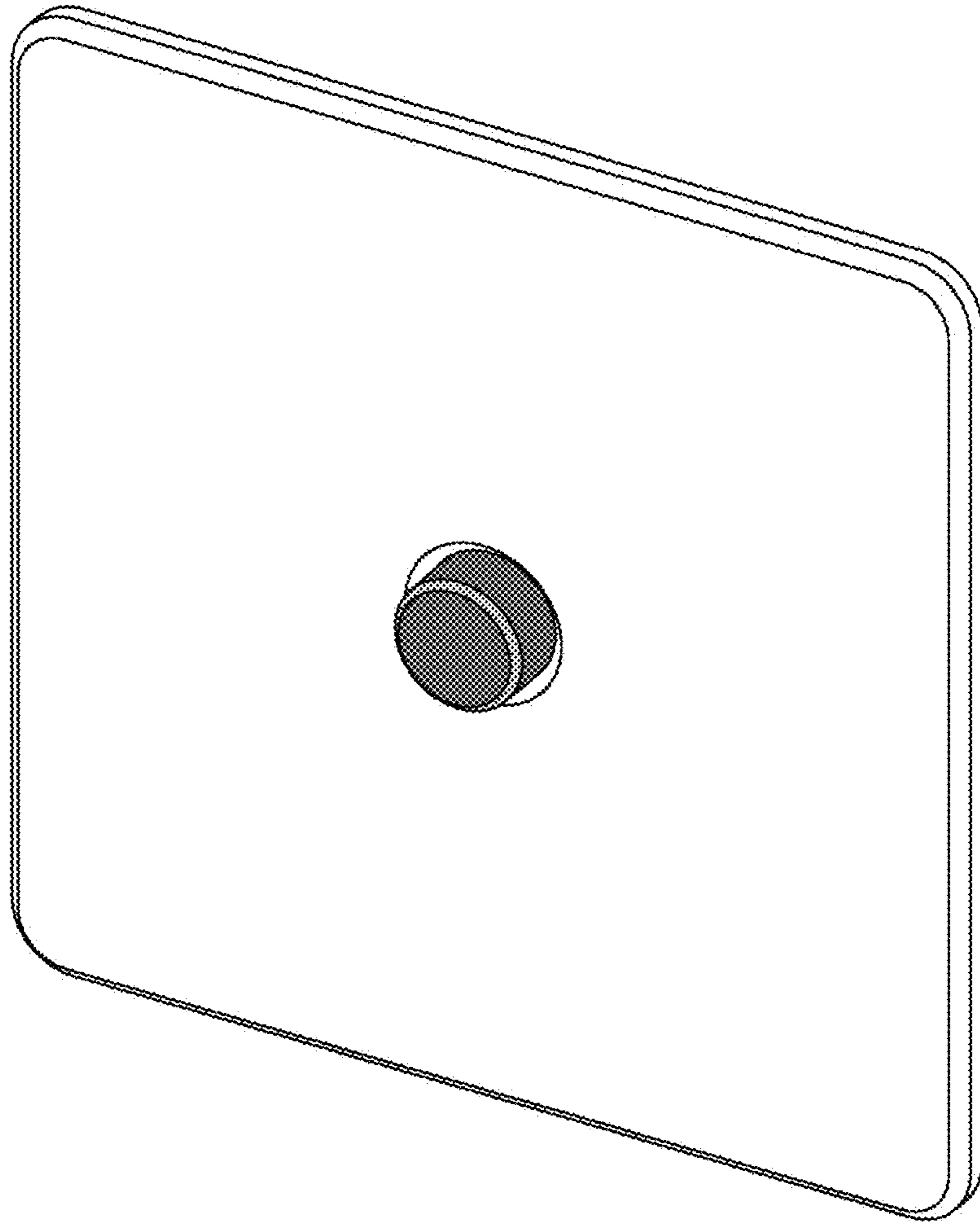


FIG. 13

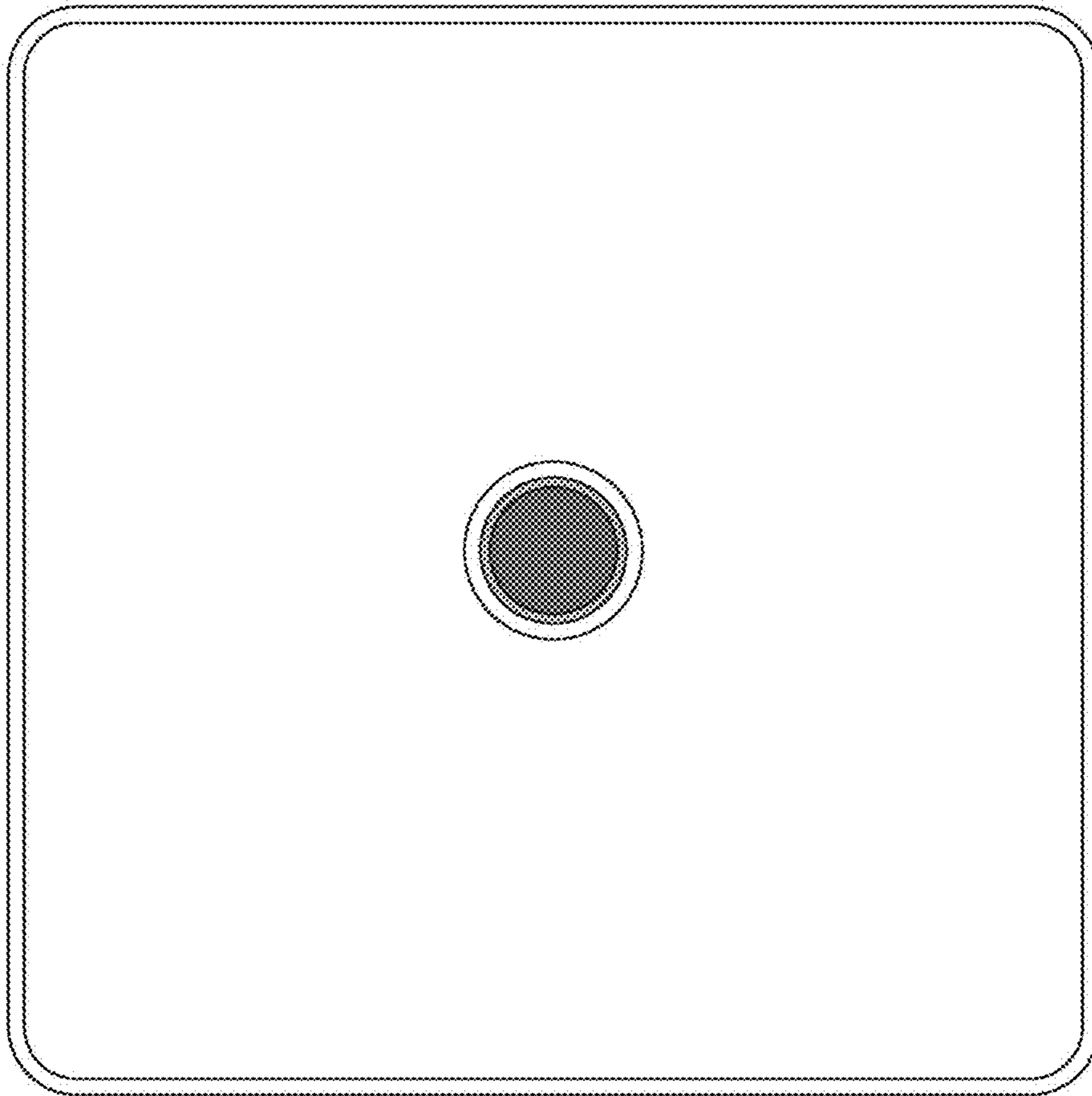


FIG. 14

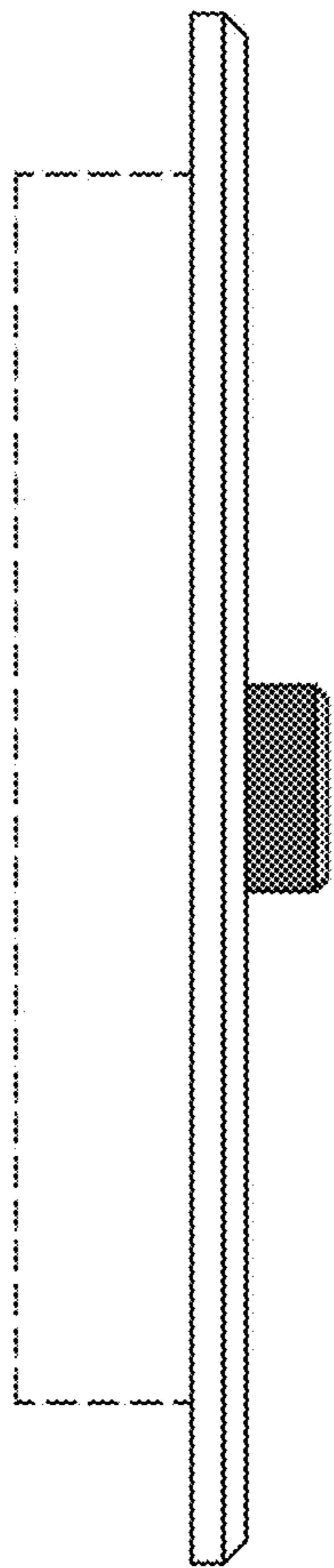


FIG. 15

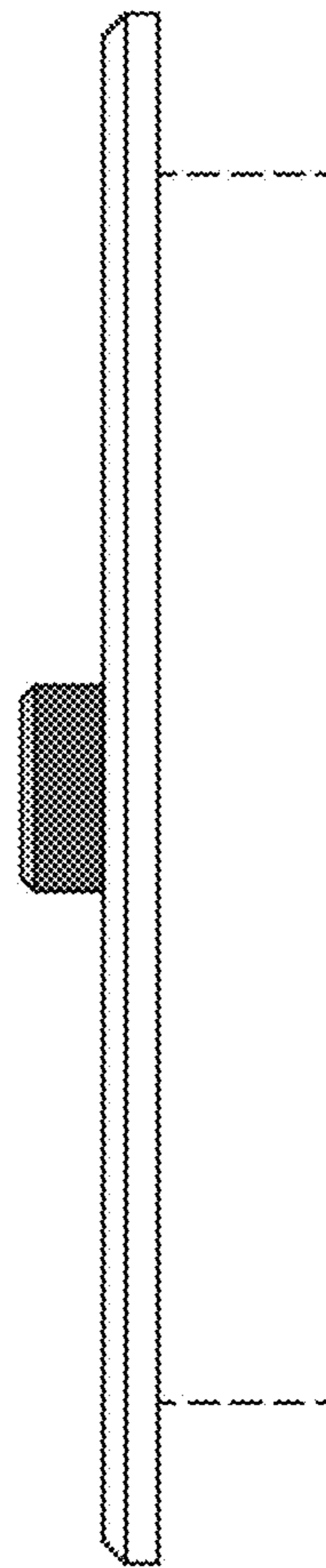


FIG. 16

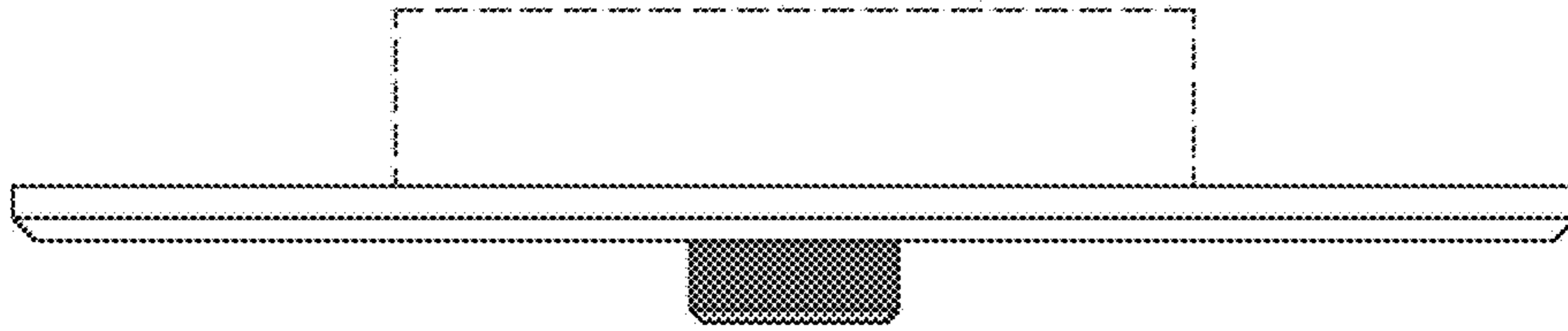


FIG. 17

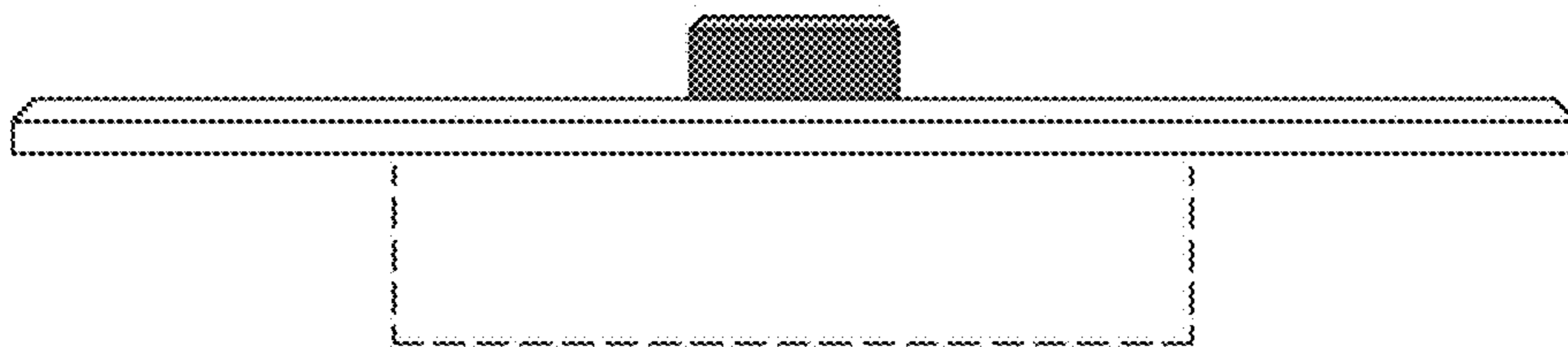


FIG. 18

UNITED STATES PATENT AND TRADEMARK OFFICE
CERTIFICATE OF CORRECTION

PATENT NO. : D922,965 S
APPLICATION NO. : 29/634277
DATED : June 22, 2021
INVENTOR(S) : Gregory Altonen et al.

Page 1 of 1

It is certified that error appears in the above-identified patent and that said Letters Patent is hereby corrected as shown below:

On the Title Page

(57) DESCRIPTION

Column 2, Line 23, following "The contour of the buttons in FIGS. 7-18 is the same as the contour of the buttons in FIGS. 1-6." insert:

--The uniform dashed broken lines illustrate structure or features which form no part of the claimed design.--

Signed and Sealed this
Third Day of August, 2021



Drew Hirshfeld
*Performing the Functions and Duties of the
Under Secretary of Commerce for Intellectual Property and
Director of the United States Patent and Trademark Office*