



US00D922962S

(12) **United States Design Patent** (10) **Patent No.:** **US D922,962 S**
Morita et al. (45) **Date of Patent:** **** Jun. 22, 2021**

(54) **PUSH SWITCH**

(56) **References Cited**

(71) Applicant: **OMRON Corporation**, Kyoto (JP)

U.S. PATENT DOCUMENTS

(72) Inventors: **Kazuaki Morita**, Izumo (JP); **Yusuke Komoguchi**, Okayama (JP); **Tadahiko Ogawa**, Moriyama (JP); **Masami Nishida**, Osaka (JP)

3,373,398 A 3/1968 Volinskie
4,093,332 A 6/1978 Simko
4,354,722 A 10/1982 Morel
D302,421 S 7/1989 Ichitsubo
D318,718 S 7/1991 Blatt
D386,150 S * 11/1997 Zinnert D13/177

(Continued)

(73) Assignee: **OMRON Corporation**, Kyoto (JP)

FOREIGN PATENT DOCUMENTS

(**) Term: **15 Years**

JP D1593527 12/2017
JP 2019121478 A 7/2019

(21) Appl. No.: **29/761,575**

(Continued)

(22) Filed: **Dec. 10, 2020**

OTHER PUBLICATIONS

Related U.S. Application Data

Kazuaki Morita et al., Push Switch, Design U.S. Appl. No. 29/636,241, filed Feb. 7, 2018.

(62) Division of application No. 29/636,231, filed on Feb. 7, 2018.

(Continued)

(30) **Foreign Application Priority Data**

Primary Examiner — Shawn T Gingrich

Dec. 26, 2017 (JP) 2017-029128
Dec. 26, 2017 (JP) 2017-029131

(74) *Attorney, Agent, or Firm* — Capitol City TechLaw

(51) **LOC (13) Cl.** **13-03**

(57) **CLAIM**

(52) **U.S. Cl.**

The ornamental design for a push switch, as shown and described.

USPC **D13/158**; D13/171

DESCRIPTION

(58) **Field of Classification Search**

USPC D13/107, 112, 118, 123, 133, 158–162, D13/173, 174, 184, 199, 171

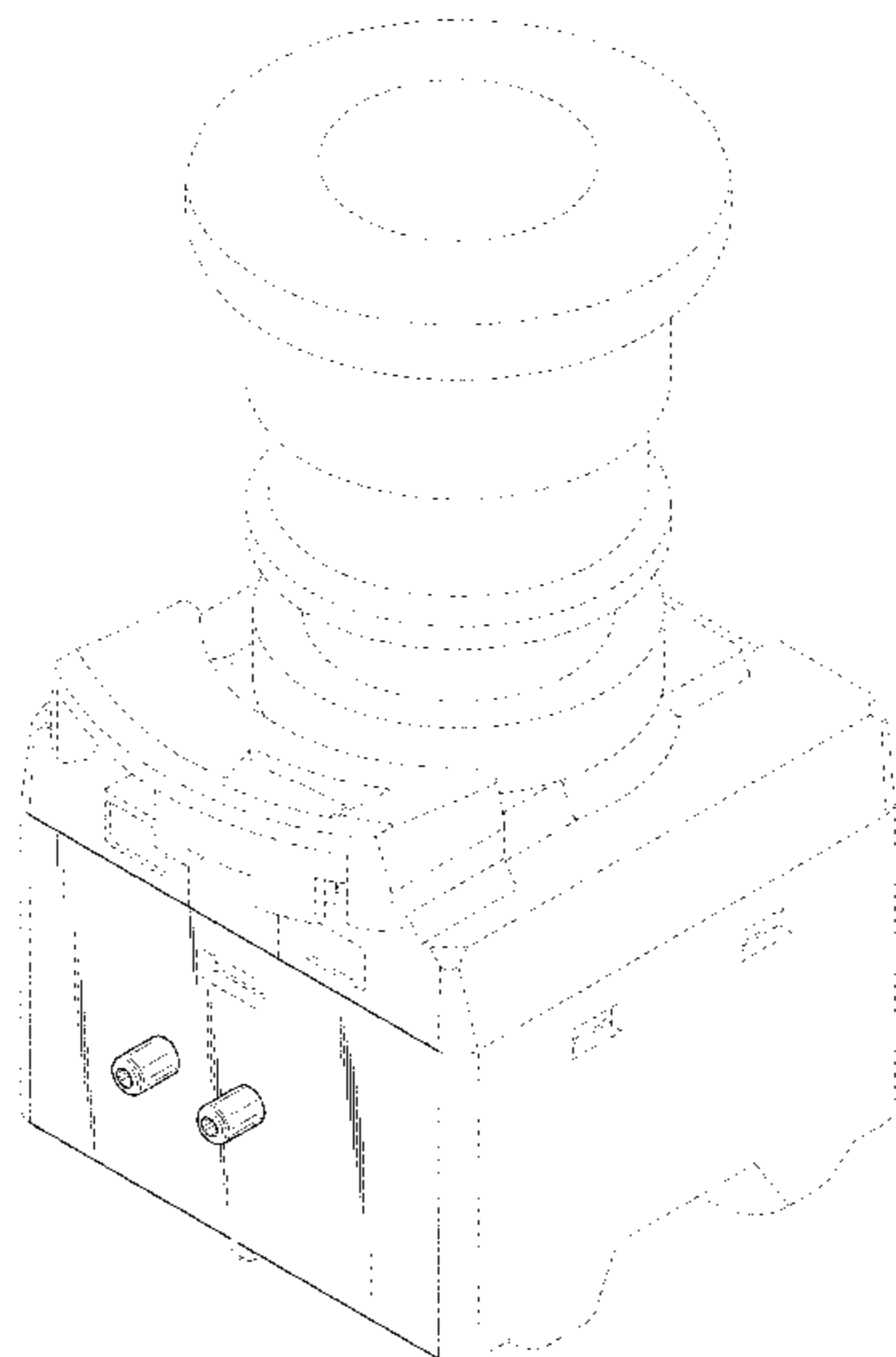
FIG. 1 is a top, front, and right side perspective view of a push switch showing our new design; FIG. 2 is a front view thereof; FIG. 3 is a left side view thereof; FIG. 4 is a right side view thereof; and, FIG. 5 is a bottom view thereof.

CPC B60Q 1/00; B60Q 1/52; F21S 4/00; F21S 8/10; F21S 41/24; F21S 41/162; F21V 29/00; F21V 19/00; G02B 6/00; G02B 6/36; H01R 12/00; H01R 13/00; H01R 33/00; H01R 24/00; H01H 9/04; H01H 13/04; H01H 13/14; H01H 19/06; H01H 19/46; H01H 2223/002; H01H 25/04

The dashed broken lines illustrate portions of the push switch that form no part of the claimed design. The dot-dashed broken lines depict the bounds of the claim and form no part thereof. The unshaded surfaces form no part of the claimed design.

See application file for complete search history.

1 Claim, 5 Drawing Sheets



(56)

References Cited

U.S. PATENT DOCUMENTS

D388,768 S * 1/1998 Cheng D13/147
 5,704,796 A 1/1998 Swenson
 5,816,867 A 10/1998 Davidz et al.
 D413,323 S 8/1999 Tashiro
 6,213,812 B1 4/2001 Kan
 D495,659 S 9/2004 Shimaya et al.
 D577,438 S 9/2008 Gallogly et al.
 D596,139 S 7/2009 Bedggood
 D596,200 S 7/2009 Ogawa
 D601,503 S 10/2009 Gribble et al.
 D608,287 S 1/2010 Zheng et al.
 D613,254 S * 4/2010 Tsuduki D13/158
 D640,153 S 6/2011 Okitsu et al.
 D653,217 S 1/2012 Lee et al.
 D725,050 S 3/2015 Tsugawa et al.
 D749,041 S 2/2016 Patel et al.
 D818,967 S * 5/2018 Rippe D13/156
 D824,859 S 8/2018 Chaillet et al.
 D850,388 S 6/2019 Morita et al.
 D867,186 S 11/2019 Osanai
 D879,768 S * 3/2020 Iwasaki D14/256
 10,910,174 B2 * 2/2021 Morita H01H 13/04
 2006/0019539 A1 1/2006 Ishizaki et al.

2009/0088009 A1 4/2009 Dai et al.
 2009/0305577 A1 12/2009 Bradford-Stagg
 2010/0068925 A1 3/2010 Daily
 2010/0068945 A1 3/2010 Chou
 2015/0050830 A1 2/2015 Debabrata
 2016/0099583 A1 4/2016 Zanoni
 2016/0306121 A1 10/2016 Yang et al.
 2016/0358729 A1 12/2016 Hisada et al.
 2018/0240625 A1 8/2018 Stuklek et al.
 2020/0366028 A1 * 11/2020 Krucinski H01R 43/26
 2021/0066002 A1 * 3/2021 Morita H01H 9/285

FOREIGN PATENT DOCUMENTS

JP 2019121479 A 7/2019
 JP 2019121480 A 7/2019
 JP 2019121481 A 7/2019
 KR 3005139730002 12/2008

OTHER PUBLICATIONS

Kazuaki Morita et al., Push Switch, Design U.S. Appl. No. 29/636,249, filed Feb. 7, 2018.

* cited by examiner

Fig. 1

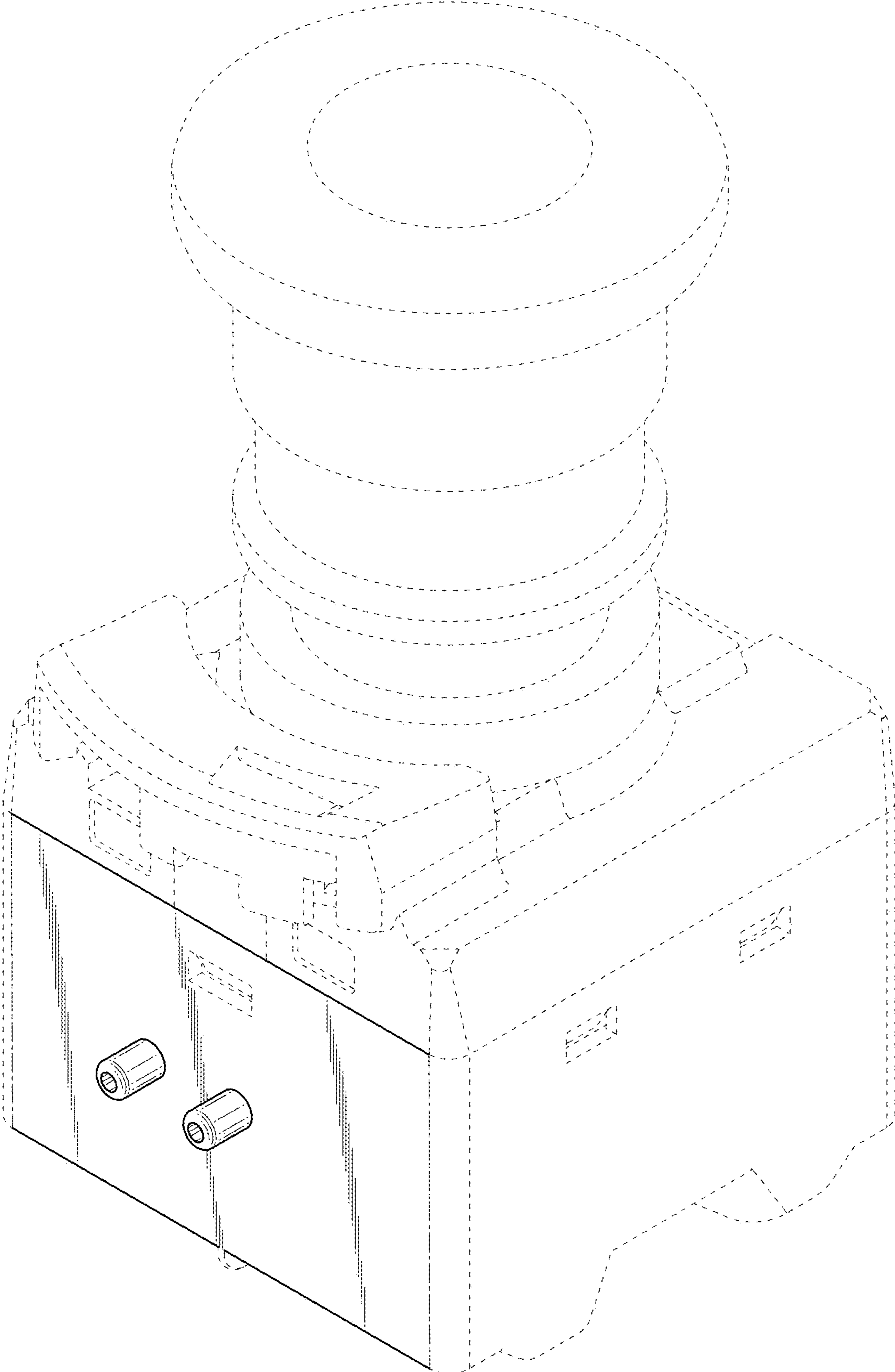


Fig. 2

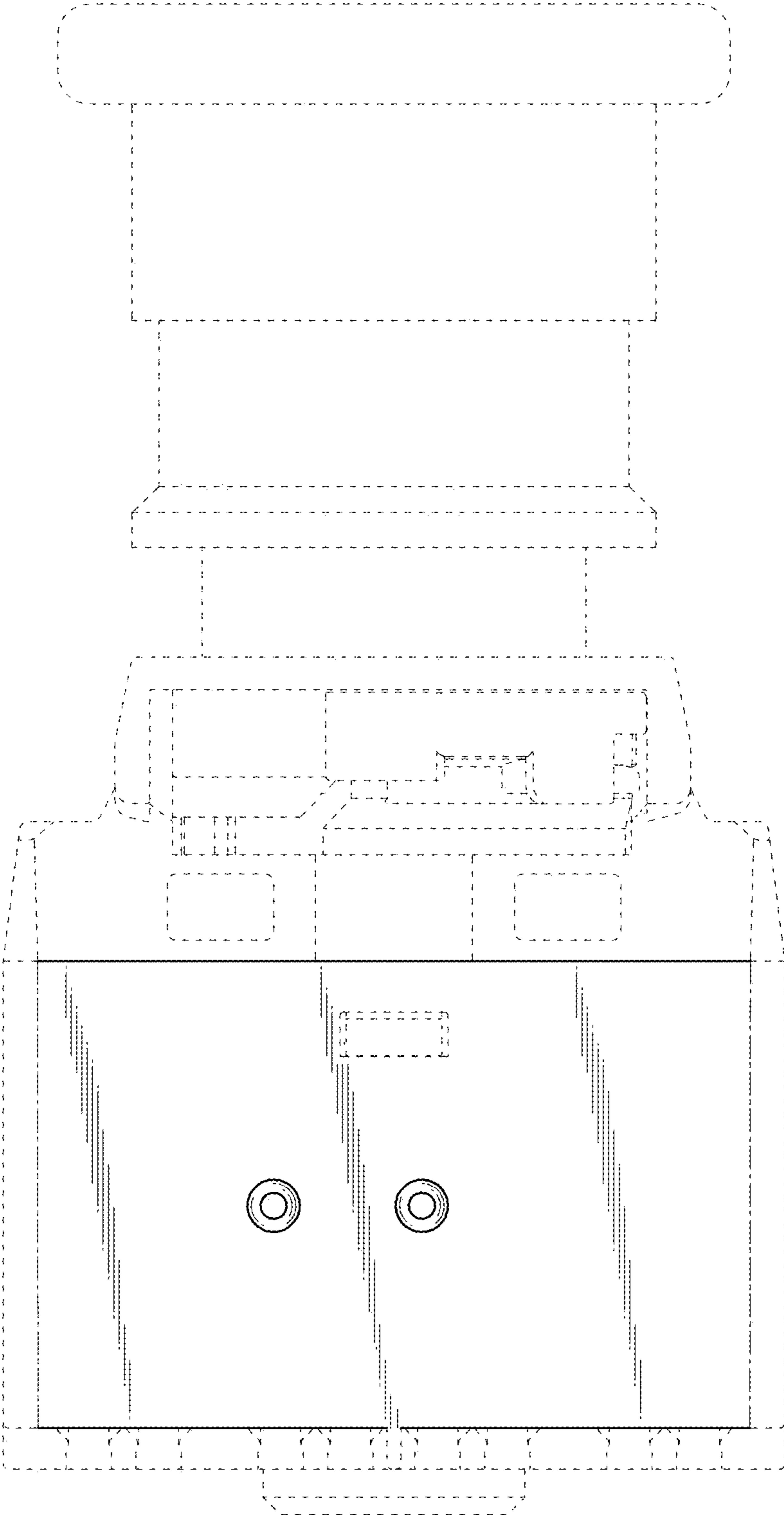


Fig. 3

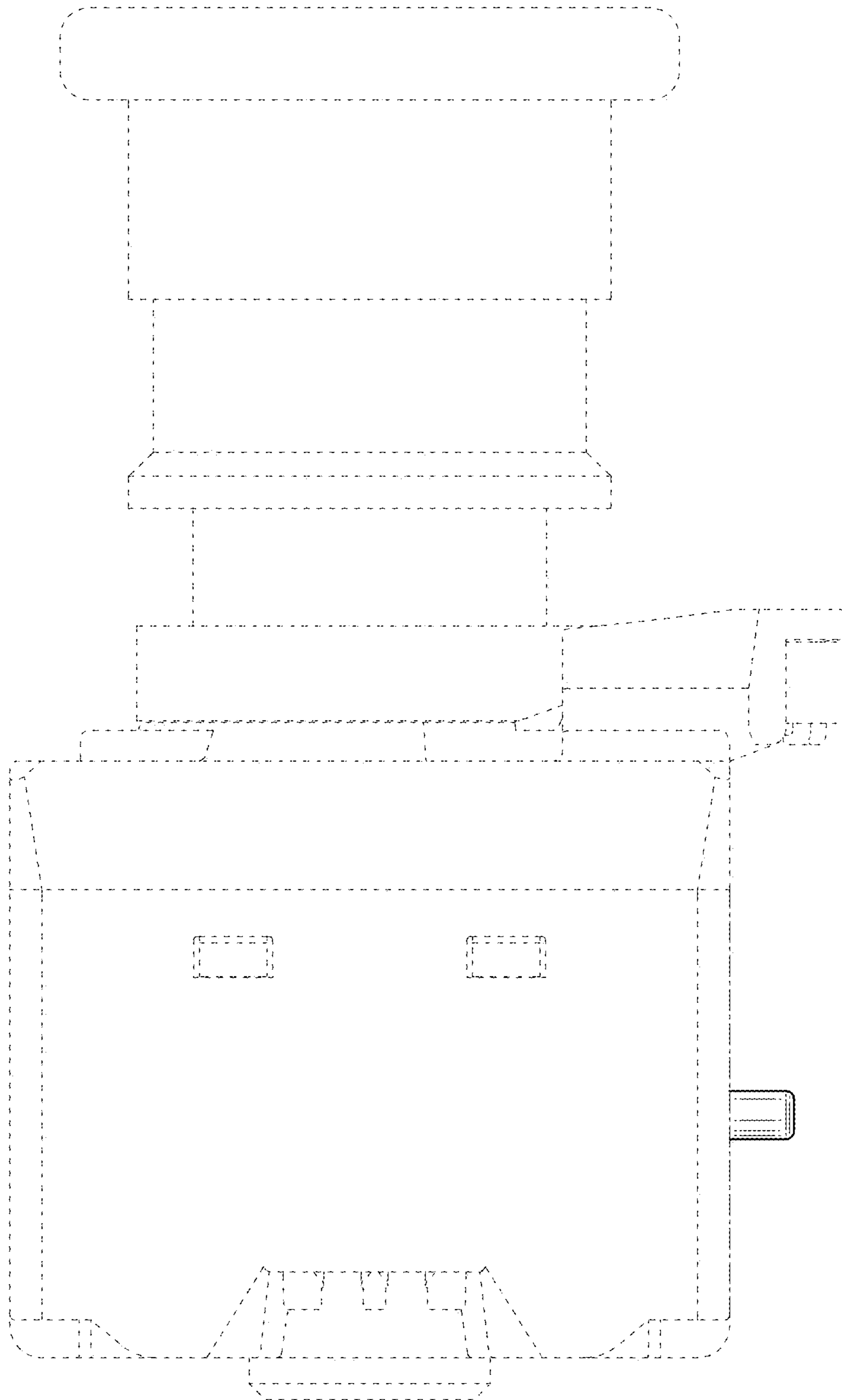


Fig. 4

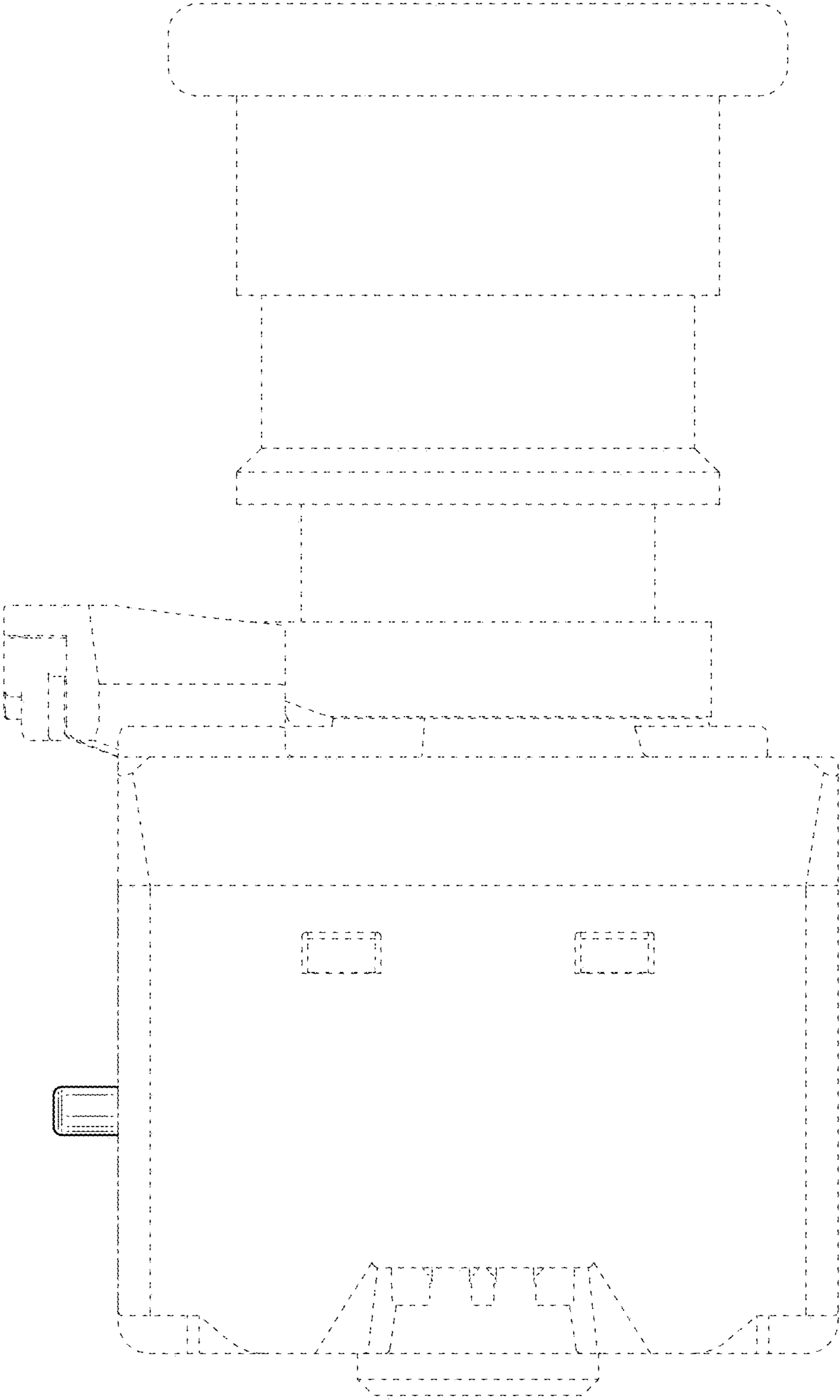


Fig. 5

