



US00D922961S

(12) **United States Design Patent** (10) **Patent No.:** **US D922,961 S**
Chandwani et al. (45) **Date of Patent:** **** Jun. 22, 2021**

(54) **SMART SWITCH**
(71) Applicant: **KEUS AUTOMATION PRIVATE LIMITED**, Hyderabad (IN)
(72) Inventors: **Brijesh Chandwani**, Hyderabad (IN); **Subram Kapoor**, Hyderabad (IN); **Ashwik Reddy Battu**, Secunderabad (IN)
(73) Assignee: **KEUS AUTOMATION PRIVATE LIMITED**, Hyderabad (IN)

D717,743 S * 11/2014 Larkin D13/164
D718,720 S * 12/2014 Rader D13/162
D778,244 S * 2/2017 Feldstein D13/162
D778,245 S 2/2017 Feldstein et al.
D780,699 S * 3/2017 Zhang D13/162
D781,246 S 3/2017 Zhang
D785,573 S * 5/2017 Yu D13/162
D813,823 S * 3/2018 Zhang D13/162
D831,588 S 10/2018 Fiedler et al.
D833,987 S * 11/2018 Poulheim D13/164
D834,535 S * 11/2018 Poulheim D13/162
D834,539 S 11/2018 Poulheim et al.
D836,009 S 12/2018 Thoren et al.
D859,596 S 9/2019 Lance et al.

(Continued)

(**) Term: **15 Years**

(21) Appl. No.: **29/724,192**

(22) Filed: **Feb. 13, 2020**

(30) **Foreign Application Priority Data**

Jan. 30, 2020 (IN) 326606-001

(51) **LOC (13) Cl.** **13-03**

(52) **U.S. Cl.**
USPC **D13/158**; D13/162

(58) **Field of Classification Search**
USPC D13/110, 112, 118, 123, 146, 147,
D13/158-162.1, 164, 173, 174, 177, 178,
D13/184, 199; D10/50, 60
CPC G05B 15/00; G05D 23/00; G05D 23/19;
G06F 3/04; G08C 17/02; H01H 21/08;
H01H 21/24; H05K 5/00; H05K 5/06;
H05K 7/02

See application file for complete search history.

(56) **References Cited**

U.S. PATENT DOCUMENTS

D512,691 S * 12/2005 Hisatsune D13/164
D649,123 S * 11/2011 Jacoby D13/164
D695,234 S 12/2013 Santiago et al.
D704,166 S 5/2014 Sung

OTHER PUBLICATIONS

Smart Switch, <https://www.osum.in/smart-switch.html>.

(Continued)

Primary Examiner — Shawn T Gingrich

(74) *Attorney, Agent, or Firm* — Innovation Capital Law Group, LLP; Vic Lin

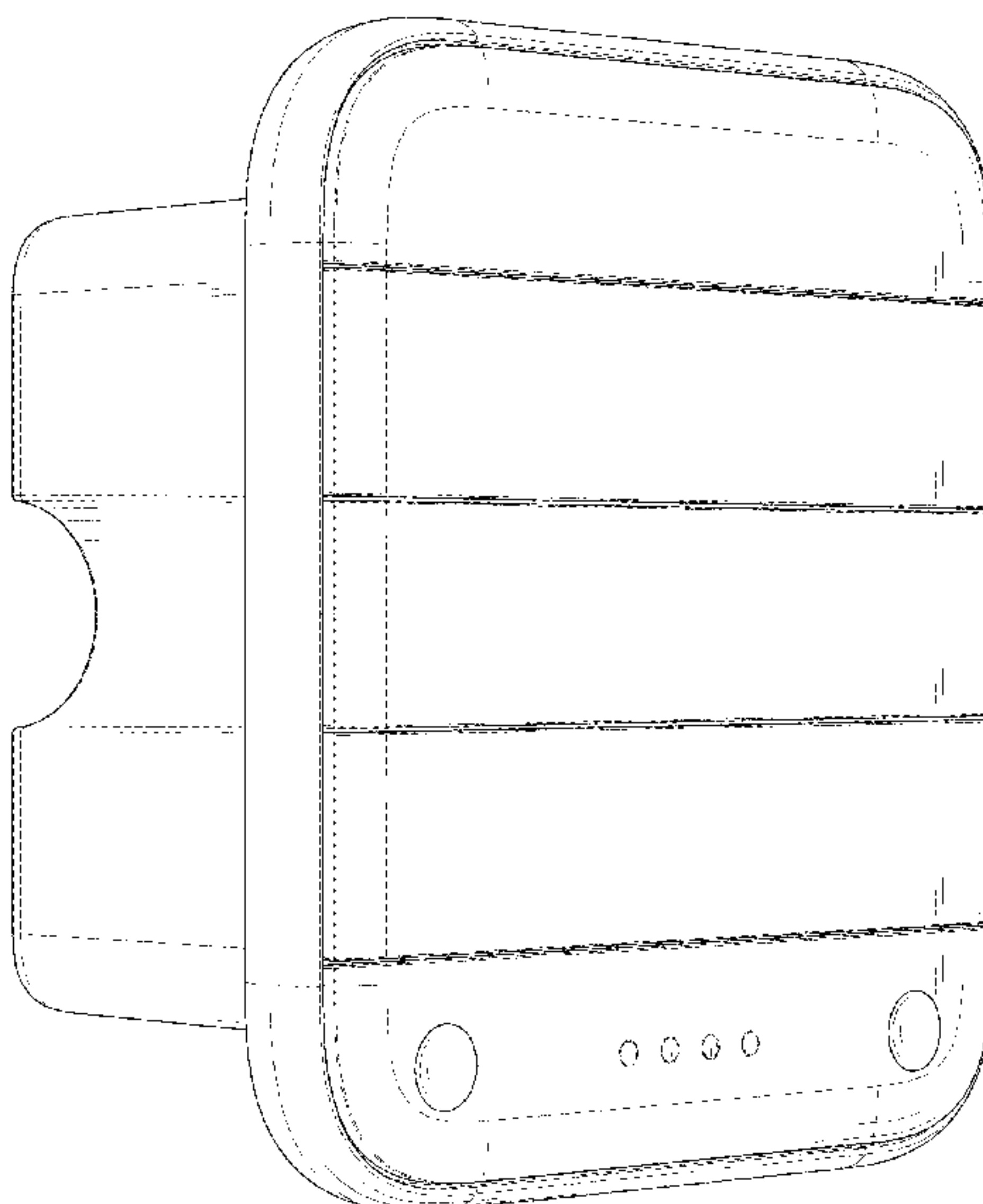
(57) **CLAIM**

The ornamental design for a smart switch, as shown and described.

DESCRIPTION

FIG. 1 is a front elevation view of a smart switch, showing our new design;
FIG. 2 is a rear elevation view thereof;
FIG. 3 is a left side elevation view thereof;
FIG. 4 is a right side view thereof;
FIG. 5 is a top plan view thereof;
FIG. 6 is a bottom plan view thereof; and,
FIG. 7 is a front perspective view thereof.
The broken line portion of the figures is included to show unclaimed subject matter only and forms no part of the claimed design.

1 Claim, 7 Drawing Sheets



(56)

References Cited

U.S. PATENT DOCUMENTS

D875,569 S * 2/2020 Swanson D10/50
D891,945 S * 8/2020 Xiao D10/50
D894,021 S * 8/2020 Smith D10/50
D894,844 S 9/2020 Boynton et al.
D895,444 S 9/2020 DeBoer et al.
D898,683 S 10/2020 Lan
D901,314 S 11/2020 Atwood et al.
D907,586 S * 1/2021 Lombardi D13/162
2017/0062150 A1 3/2017 Annerino et al.
2019/0187839 A1* 6/2019 Huang H03K 17/9622
2020/0035089 A1* 1/2020 Liu G08C 17/02

OTHER PUBLICATIONS

Smart Switch, Smart Wireless Switch control panel, <https://www.hogarcontrols.com/touch-panels/>.
Wireless controller for simultaneous multiple device operation, <https://www.osum.in/verve.html>.
<http://www.dalipro.com/control-device.html>, DALI rotating multi-functional keypad.
<http://www.lutron.com/en-US/Products/Pages/Components/PicoWirelessController/Models.aspx>.

* cited by examiner

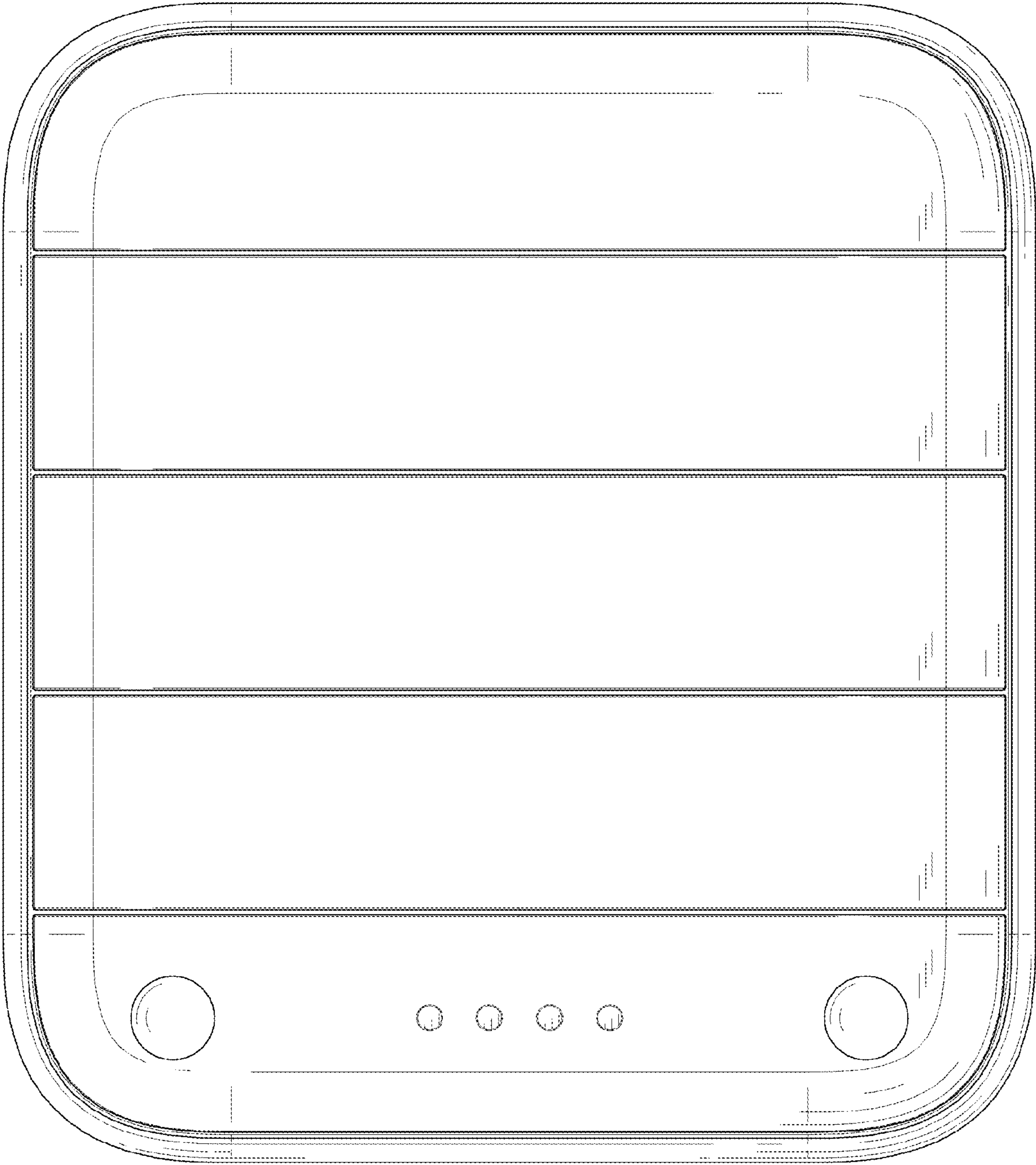


FIG. 1

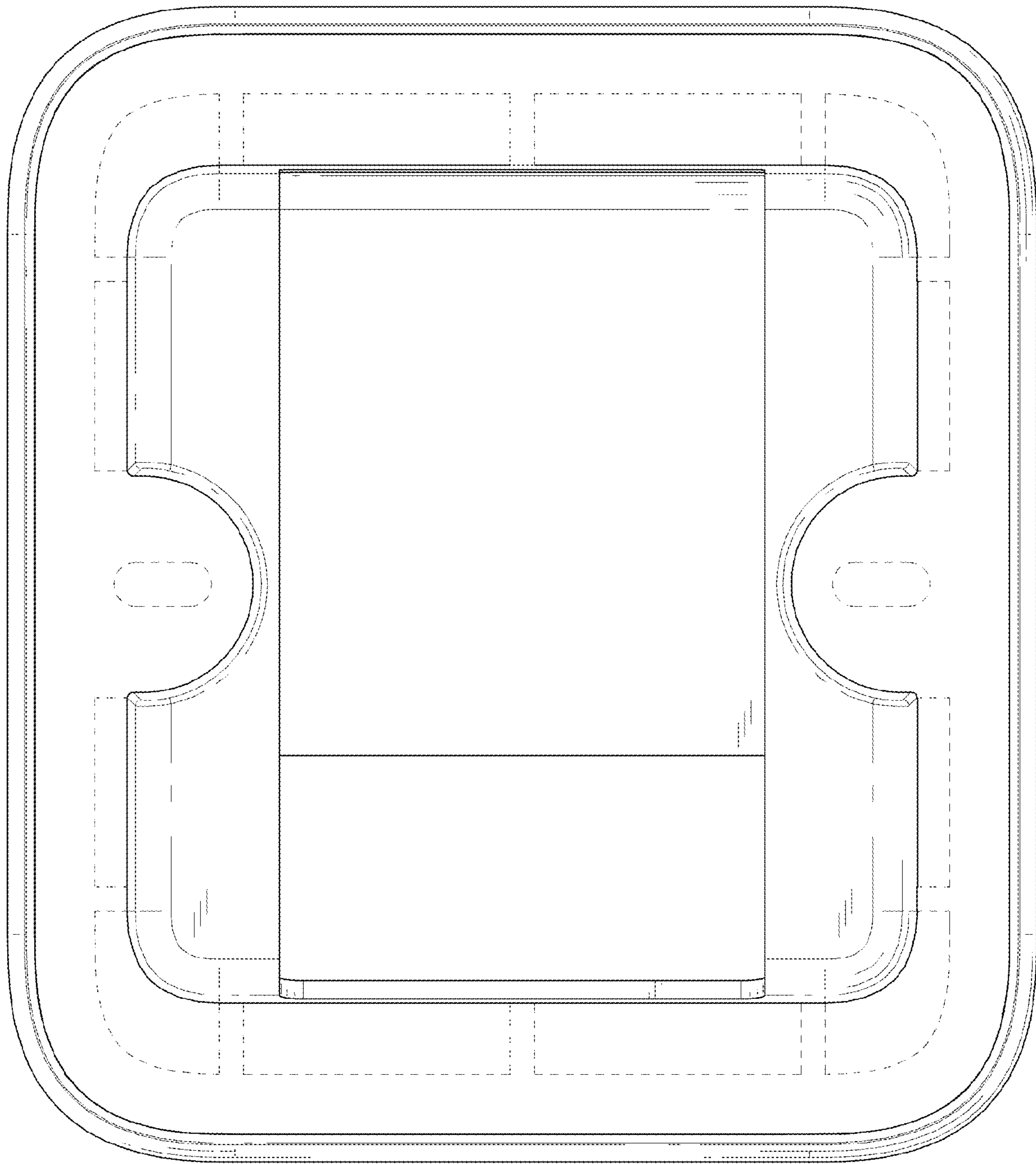


FIG. 2

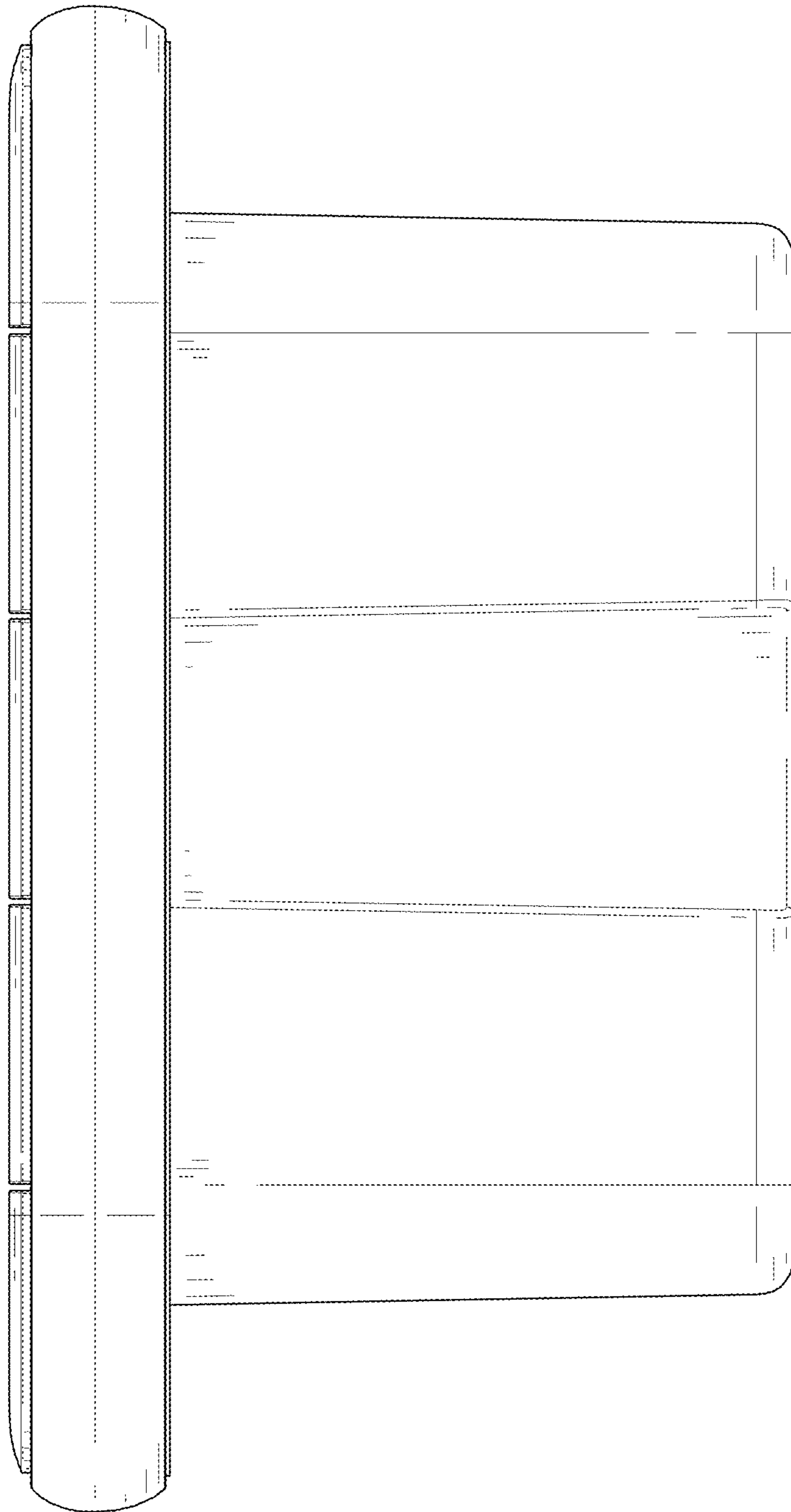


FIG. 3

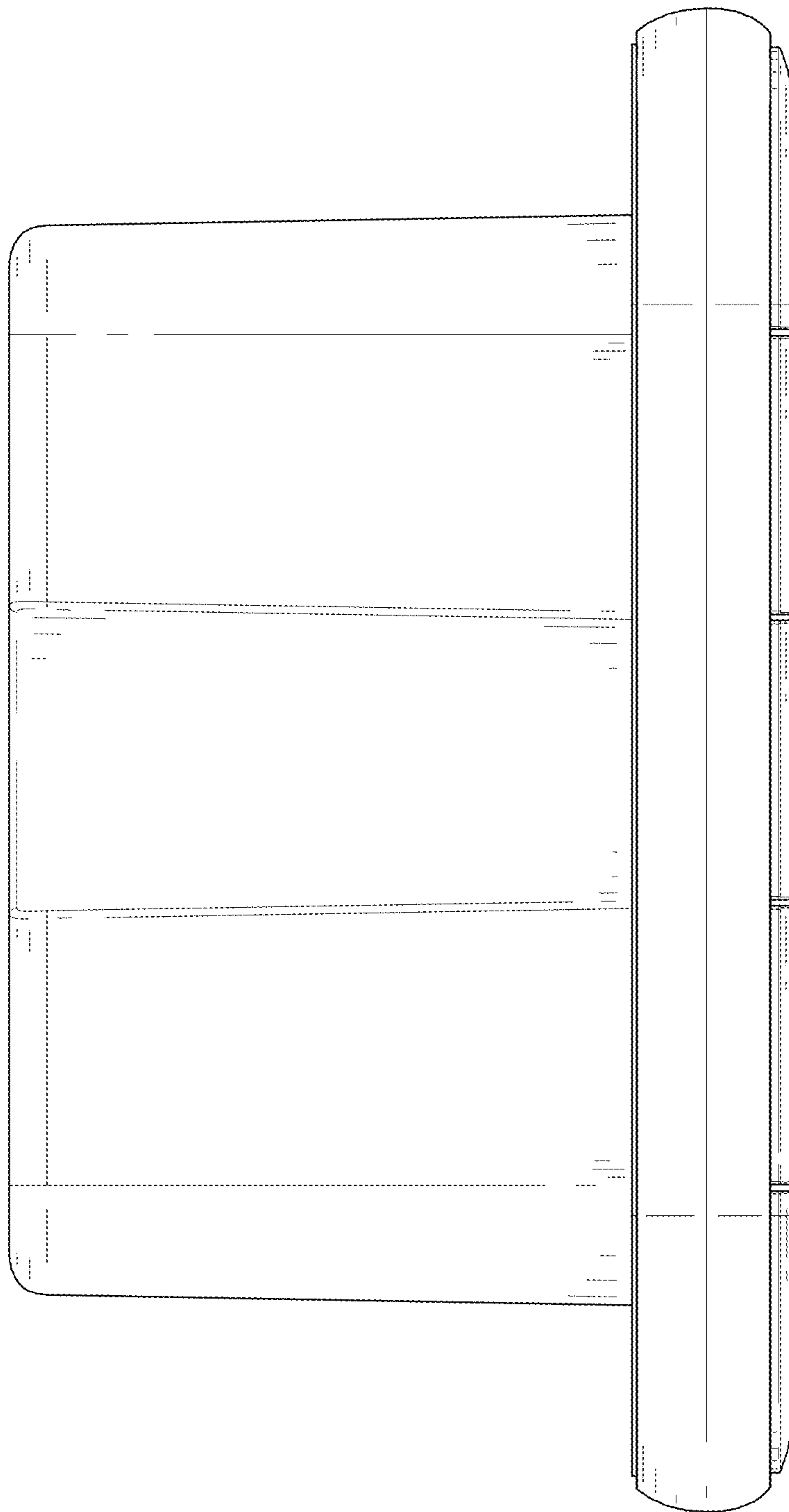


FIG. 4

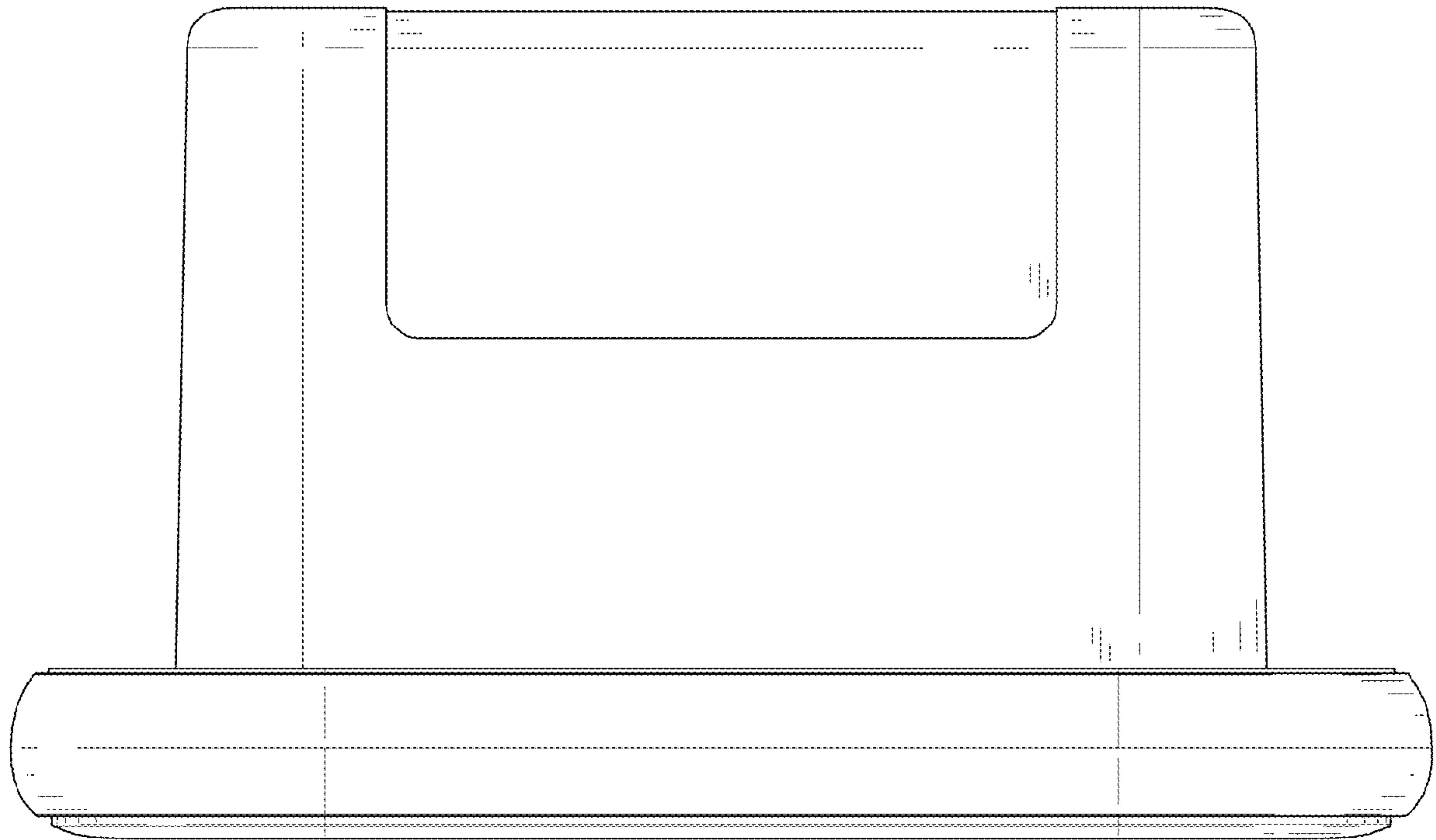


FIG. 5

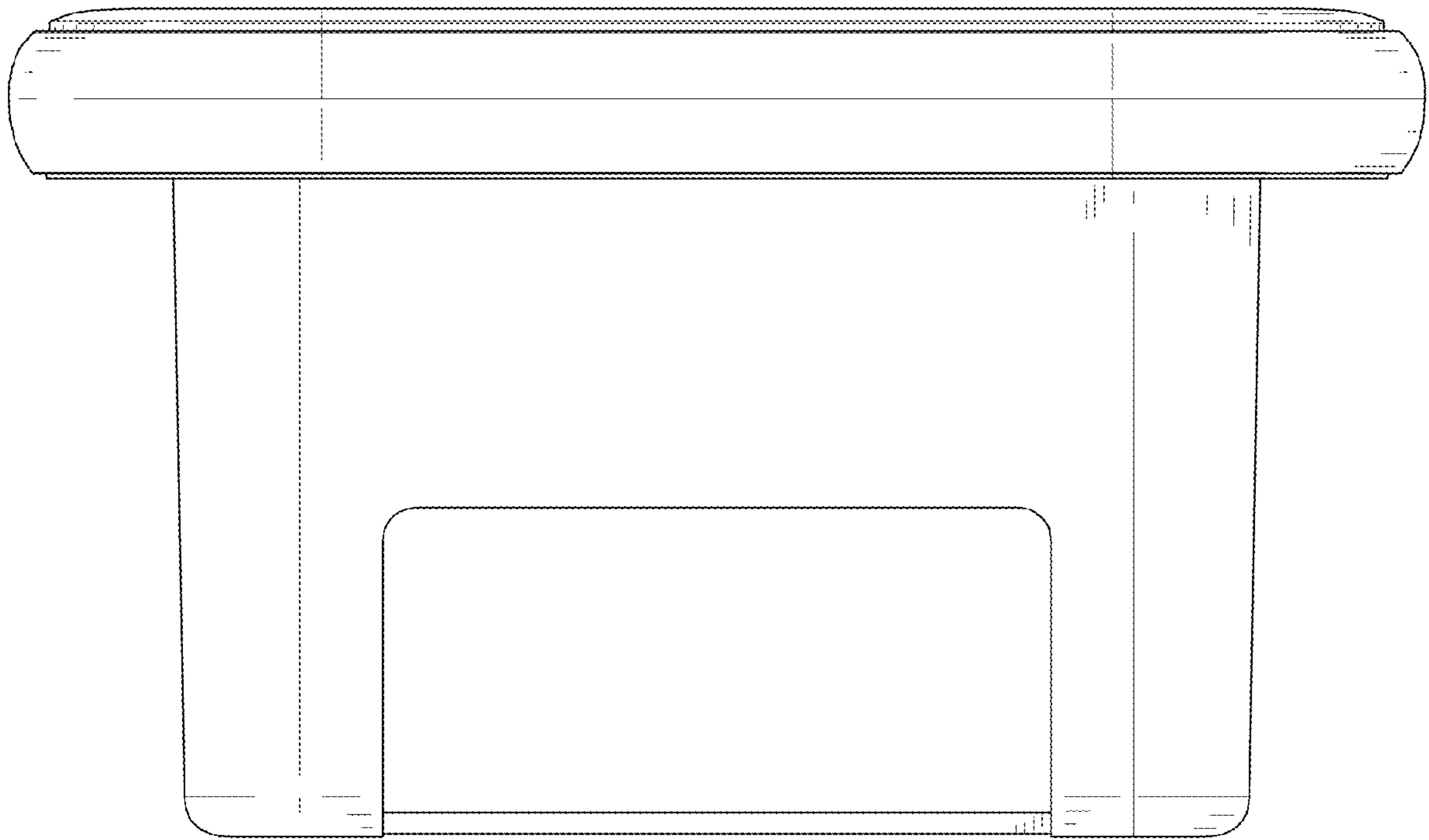


FIG. 6

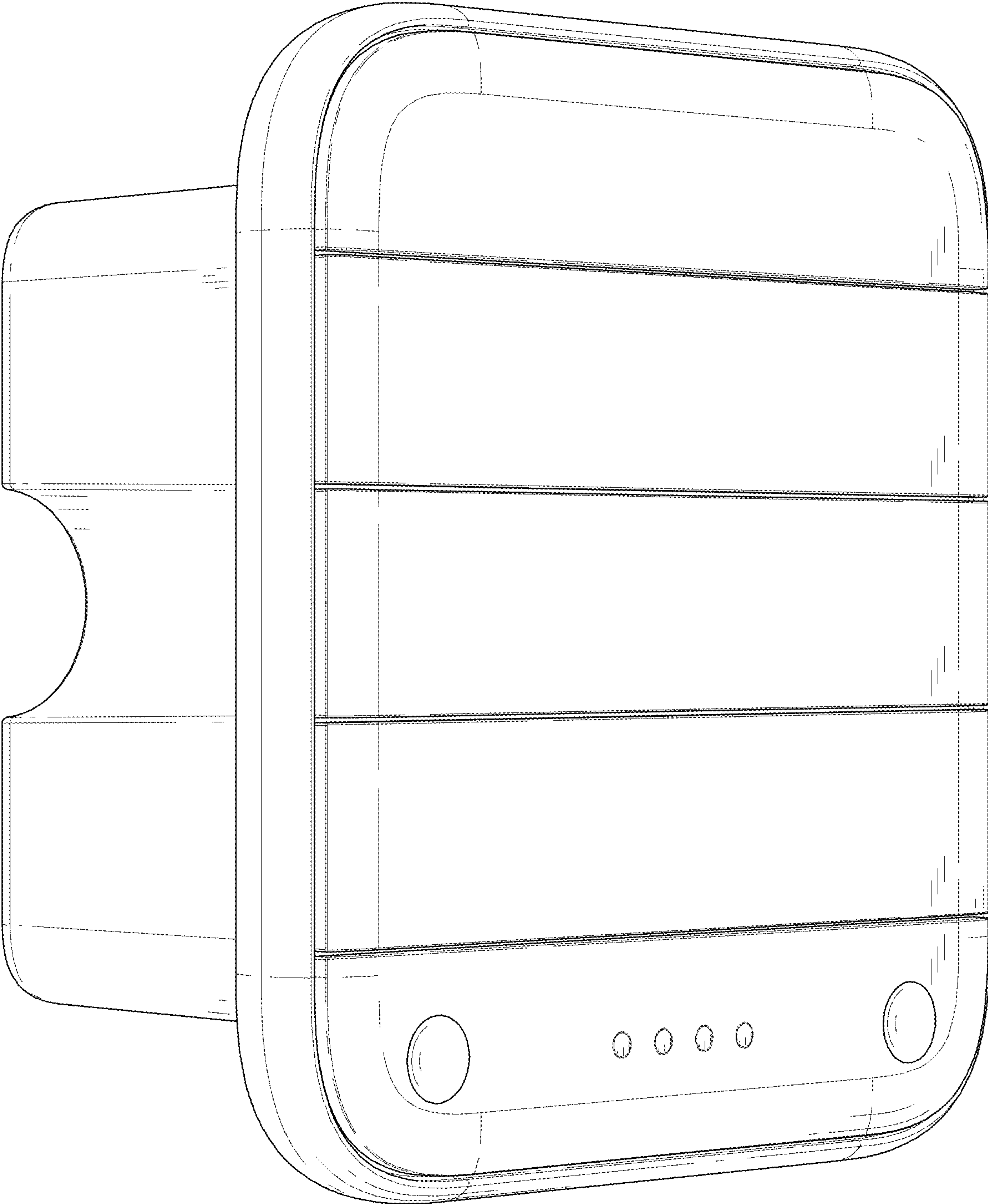


FIG. 7