



US00D922960S

(12) **United States Design Patent**  
**Qiao**

(10) **Patent No.:** **US D922,960 S**  
(45) **Date of Patent:** **\*\* Jun. 22, 2021**

(54) **RECESSED LOW VOLTAGE CABLE PLATE**

(71) Applicant: **ZHONGSHAN RUIHU ELECTRONIC CO., LIMITED,**  
Zhongshan (CN)

(72) Inventor: **Qunmei Qiao,** Zhongshan (CN)

(\*\*) Term: **15 Years**

(21) Appl. No.: **29/700,636**

(22) Filed: **Aug. 5, 2019**

(51) **LOC (13) Cl.** ..... **13-03**

(52) **U.S. Cl.**  
USPC ..... **D13/156; D8/353**

(58) **Field of Classification Search**  
USPC ..... D13/152–158, 146, 147, 133, 199, 184;  
D9/424, 425, 430; D8/353  
CPC .... H01R 13/46; H01R 13/465; H01R 13/502;  
H01R 13/5025; H01R 13/506; H01R  
13/508; H02G 3/04; H02G 3/0406; H02G  
3/0418; H02G 3/081; H02G 3/123; H02G  
3/125; H02G 3/14; H02G 3/16; H02G  
3/30; H05K 5/0221; H05K 5/0239; H05K  
5/0247; H05K 5/03; H05K 5/06; H05K  
5/061; H05K 5/068

See application file for complete search history.

(56) **References Cited**

**U.S. PATENT DOCUMENTS**

4,688,747 A \* 8/1987 Helmsdorfer ..... H02G 3/22  
174/67  
D370,890 S \* 6/1996 Tiberio, Jr. .... D13/146  
D503,156 S \* 3/2005 Provenzano ..... D13/156  
D553,475 S \* 10/2007 Gorin ..... D8/353  
D577,280 S \* 9/2008 Parker ..... D8/353  
D577,987 S \* 10/2008 Corbin ..... D8/353  
D593,842 S \* 6/2009 Corbin ..... D8/353  
7,563,979 B1 \* 7/2009 Gretz ..... H02G 3/14  
174/53

D620,898 S \* 8/2010 Wang ..... G02B 6/4441  
D13/184  
7,820,911 B1 \* 10/2010 Gretz ..... H02G 3/14  
174/66  
7,834,267 B1 \* 11/2010 Gretz ..... H02G 3/083  
174/66  
D632,545 S \* 2/2011 DeCosta ..... D8/353  
D891,360 S \* 7/2020 Wong ..... H02S 40/36  
D13/102  
2007/0187129 A1 \* 8/2007 Gorin ..... H02G 3/14  
174/67

(Continued)

**OTHER PUBLICATIONS**

2-gang Recessed Low Voltage Cable Wall Plate by Monoprice.  
Monoprice.com. Oldest review date: Dec. 20, 2007. Retrieval date:  
Mar. 24, 2021. Retrieved from internet: [https://www.monoprice.com/product?p\\_id=3997](https://www.monoprice.com/product?p_id=3997) (Year: 2007).\*

(Continued)

*Primary Examiner* — Lilyana Bekic

*Assistant Examiner* — Lee D. Starr

(74) *Attorney, Agent, or Firm* — Bayramoglu Law Offices  
LLC

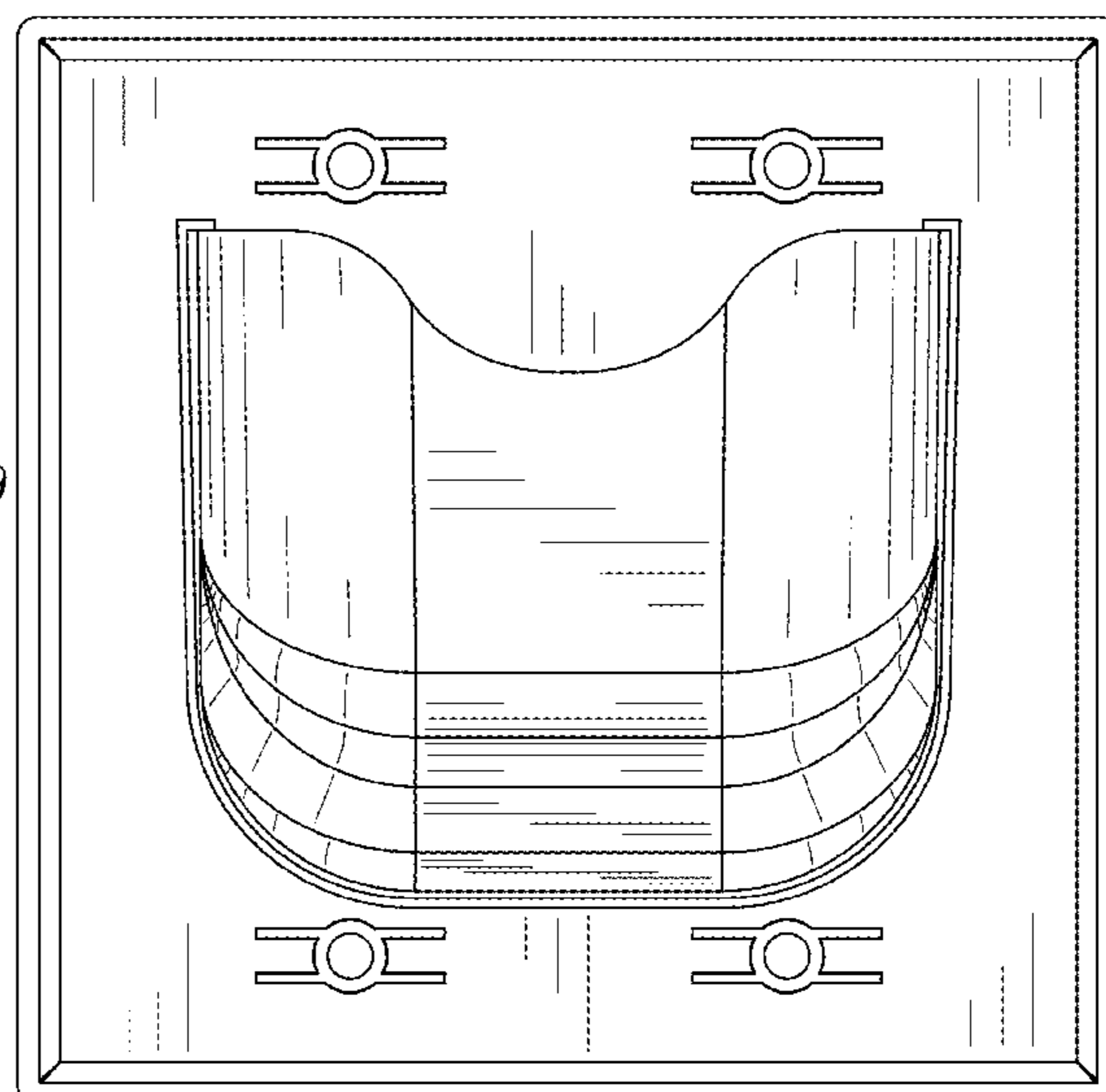
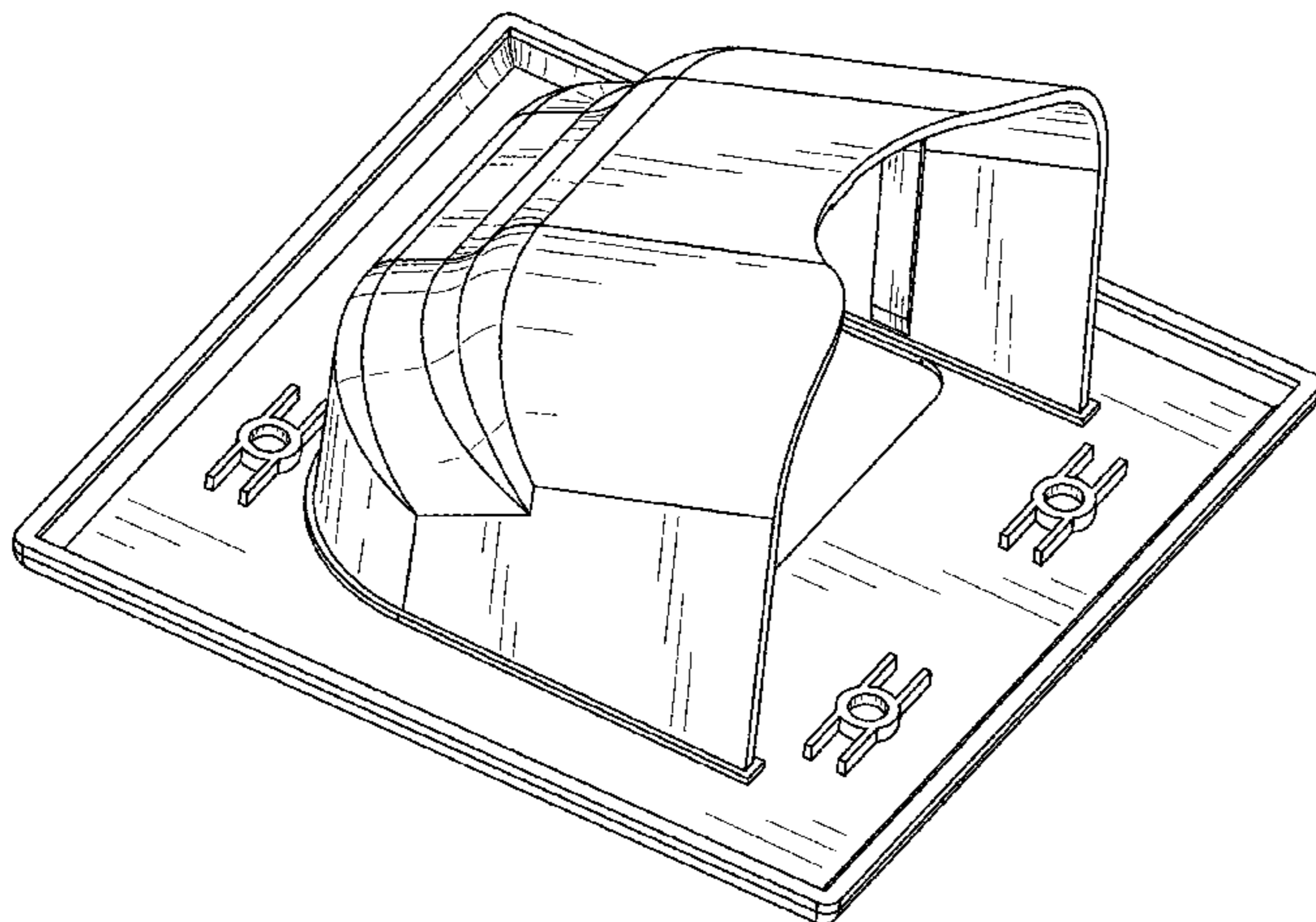
(57) **CLAIM**

The ornamental design for a recessed low voltage cable plate, as shown and described.

**DESCRIPTION**

FIG. 1 is a perspective view of a recessed low voltage cable plate showing my new design;  
FIG. 2 is another perspective view thereof;  
FIG. 3 is a front elevational view thereof;  
FIG. 4 is a rear elevational view thereof;  
FIG. 5 is a right side elevational thereof, the left side elevational view being a mirror image thereof;  
FIG. 6 is a top plan view thereof; and,  
FIG. 7 is a bottom plan view thereof.

**1 Claim, 7 Drawing Sheets**



(56)

**References Cited**

U.S. PATENT DOCUMENTS

2011/0186326 A1\* 8/2011 Wang ..... H05K 5/03  
174/66

OTHER PUBLICATIONS

Recessed Low Voltage Cable Wall Plate by TOPGREENER. Amazon. Oldest review date: Jun. 28, 2018. Retrieval date: Mar. 24, 2021. Retrieved from internet: <https://www.amazon.com/TOPGREENER-Recessed-Polycarbonate-Thermoplastic-TG8882-2PCS/dp/B079MPN91L> (Year: 2018).\*

Recessed Cable Wall Plate 2 Gang by Wi4You. Amazon. Oldest review date: Sep. 26, 2020. Retrieval date: Mar. 24, 2021. Retrieved from internet: <https://www.amazon.com/Recessed-Through-Mounting-Brackets-Ethernet/dp/B08GWS6DW7> (Year: 2020).\*

\* cited by examiner

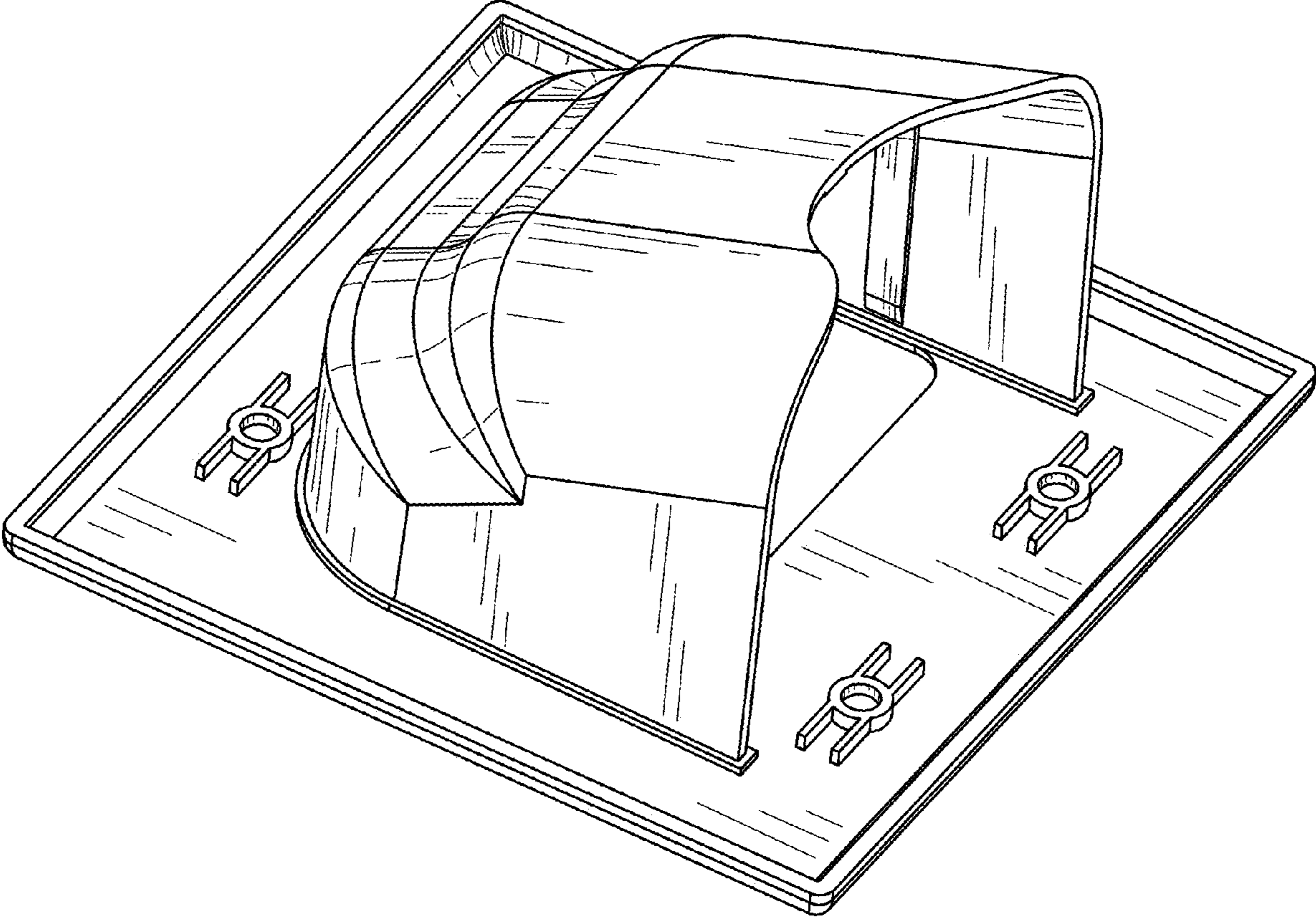


FIG. 1

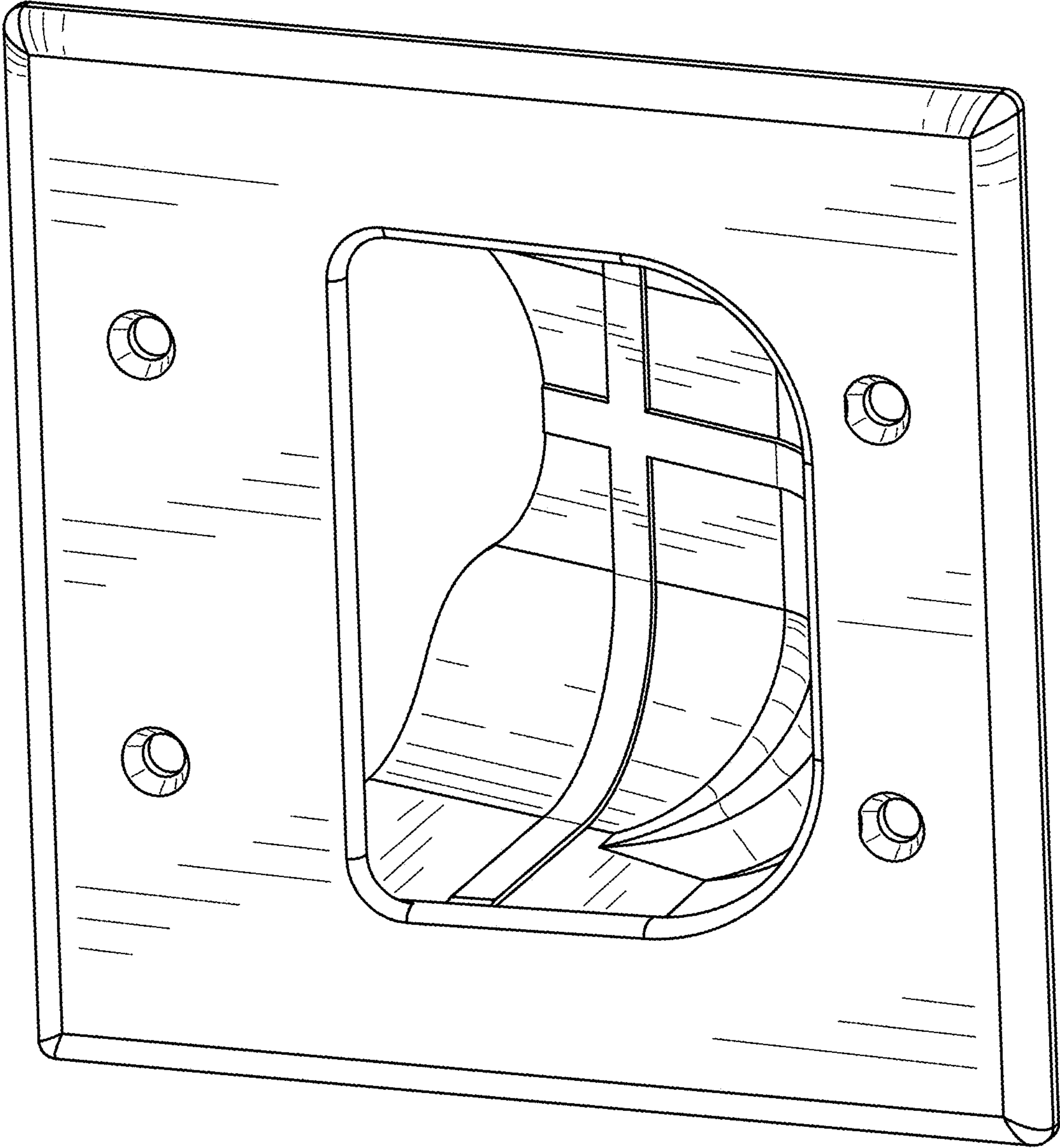


FIG. 2



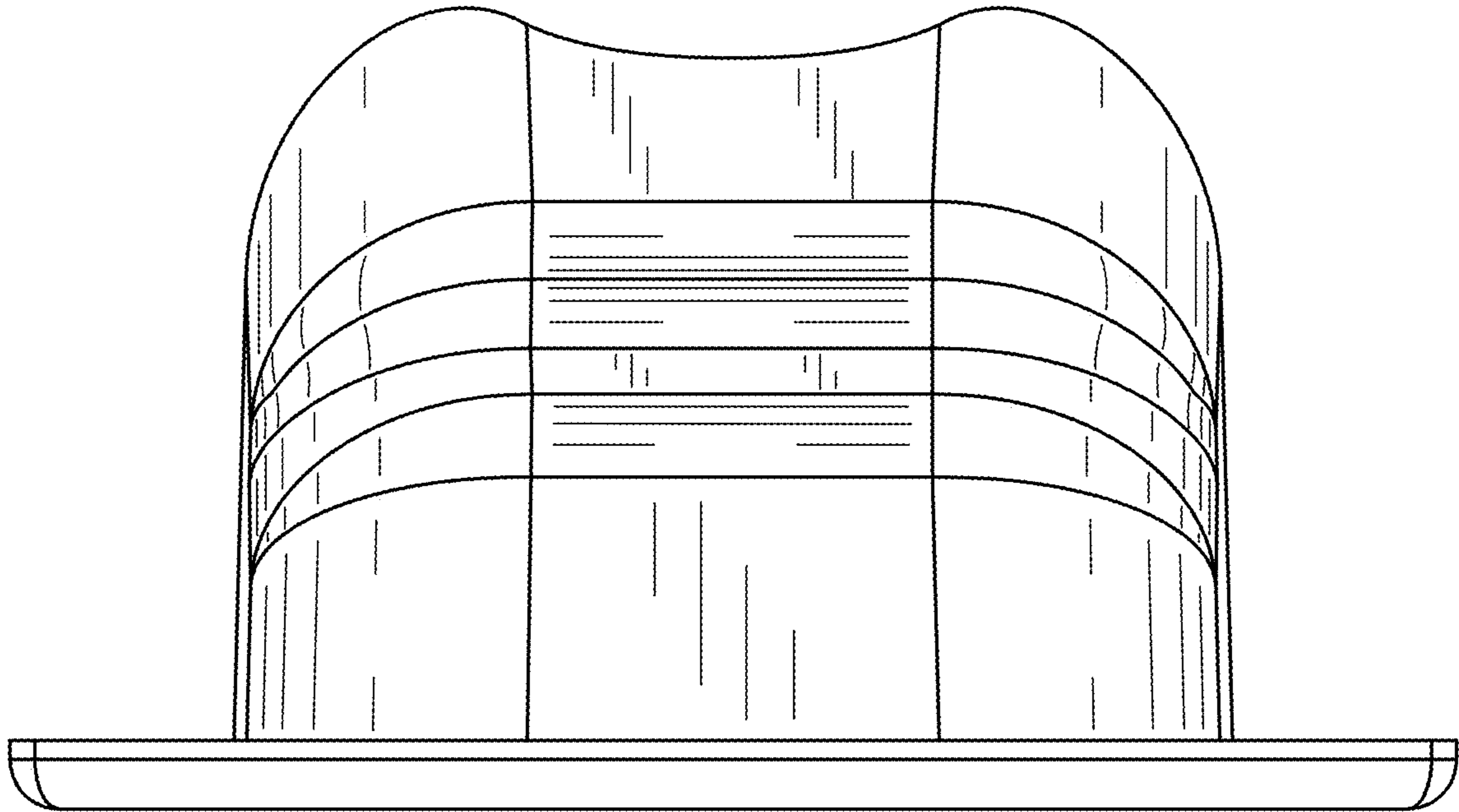


FIG. 3

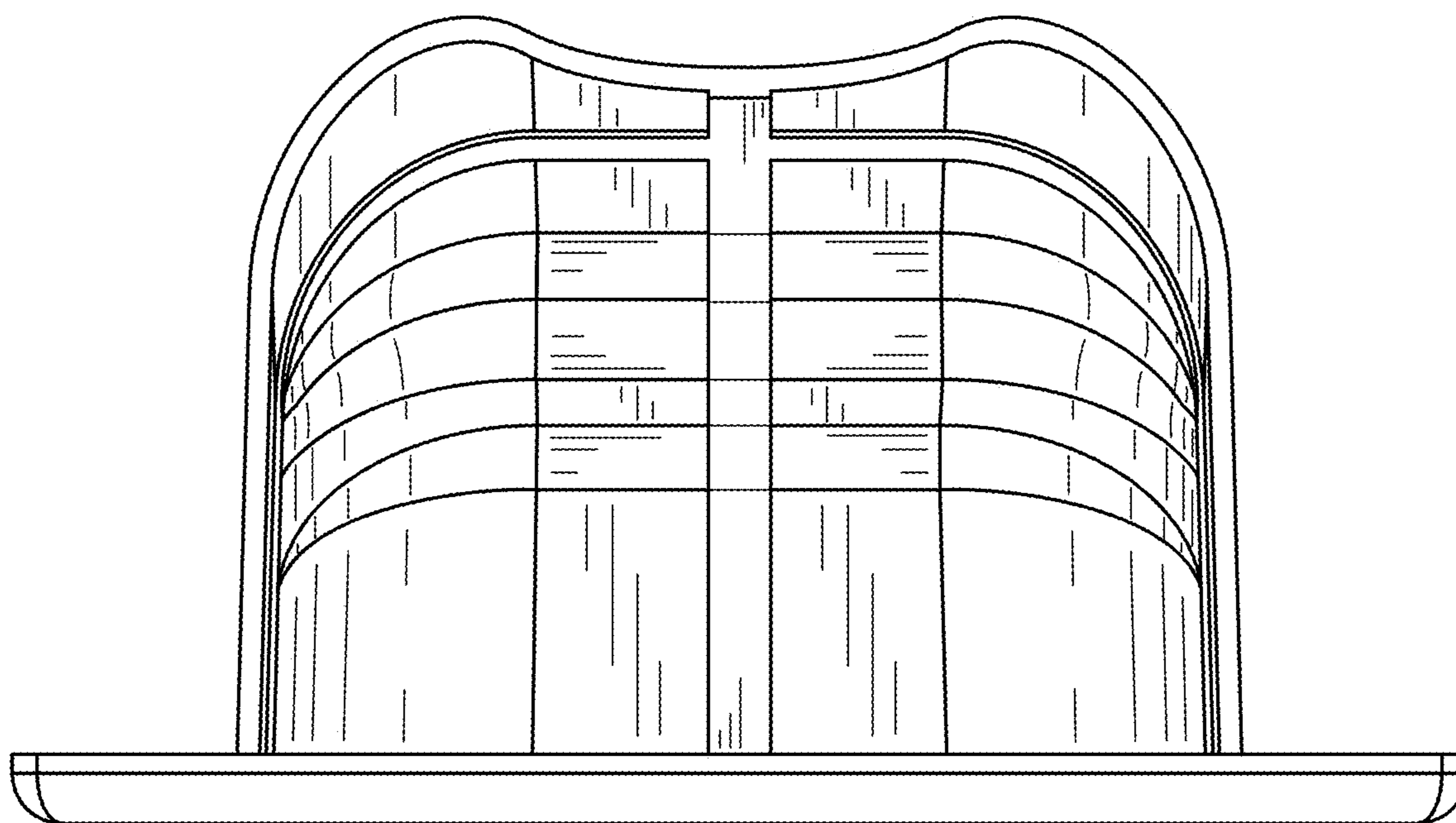


FIG. 4

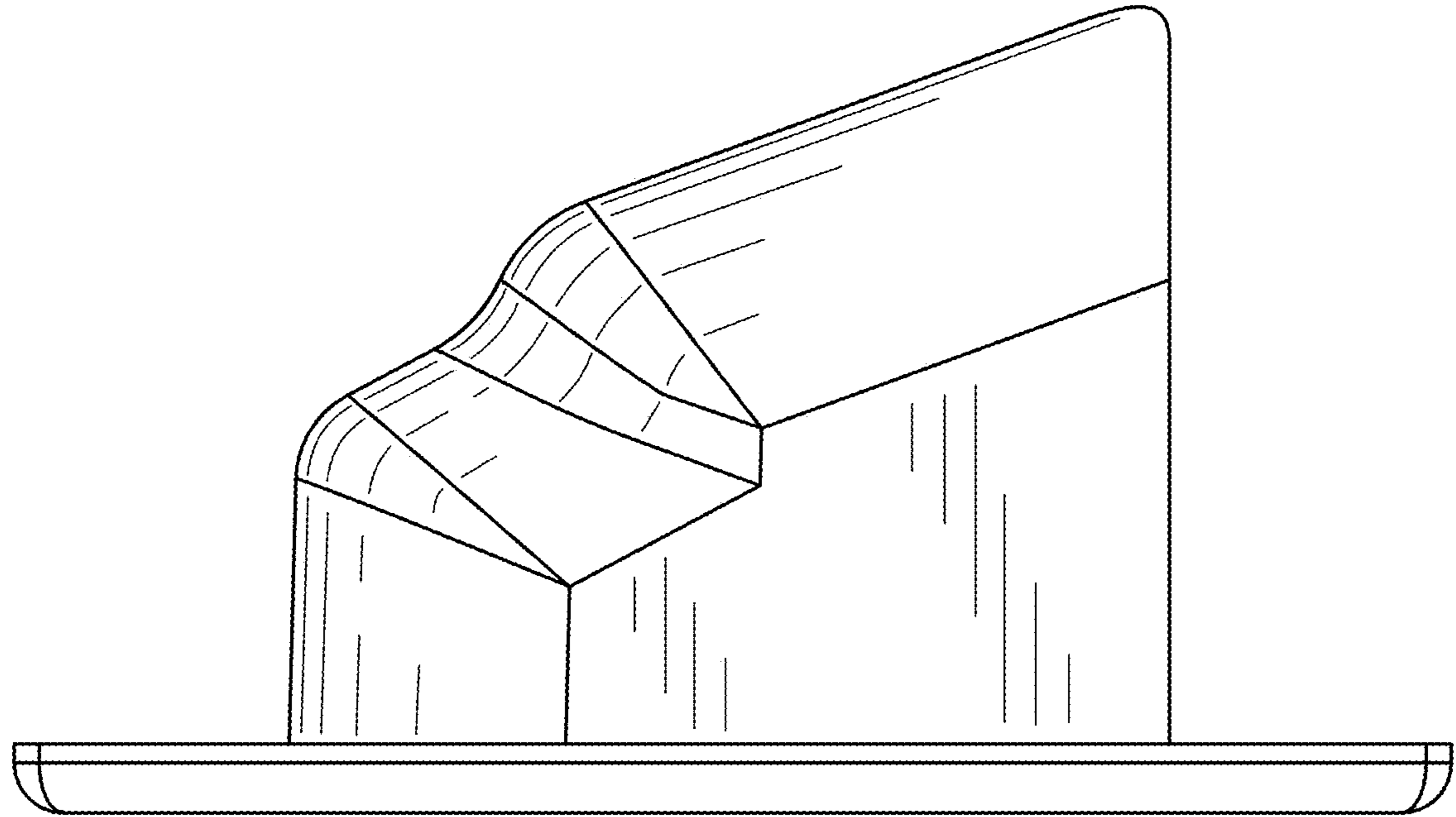


FIG. 5

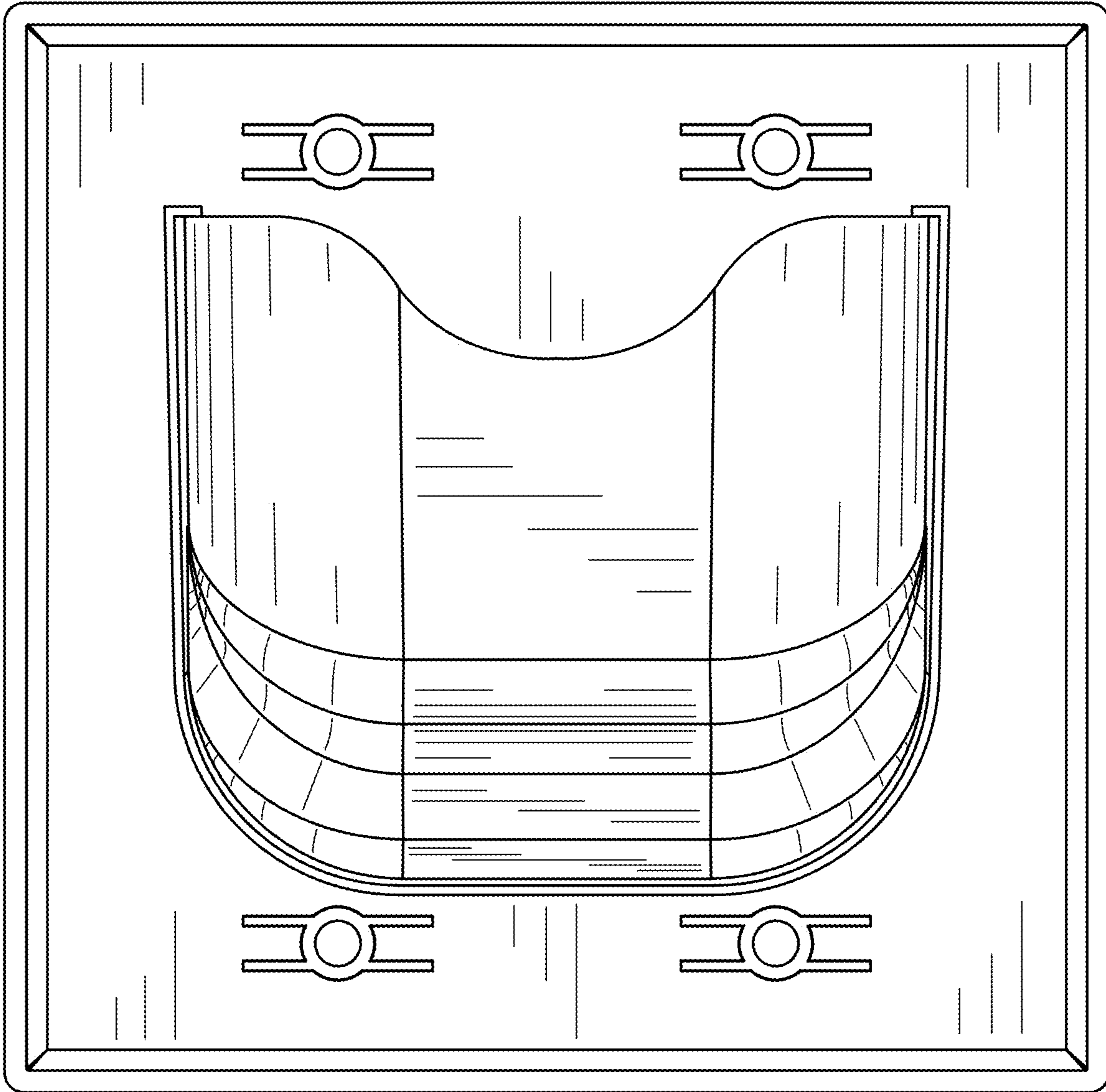


FIG. 6



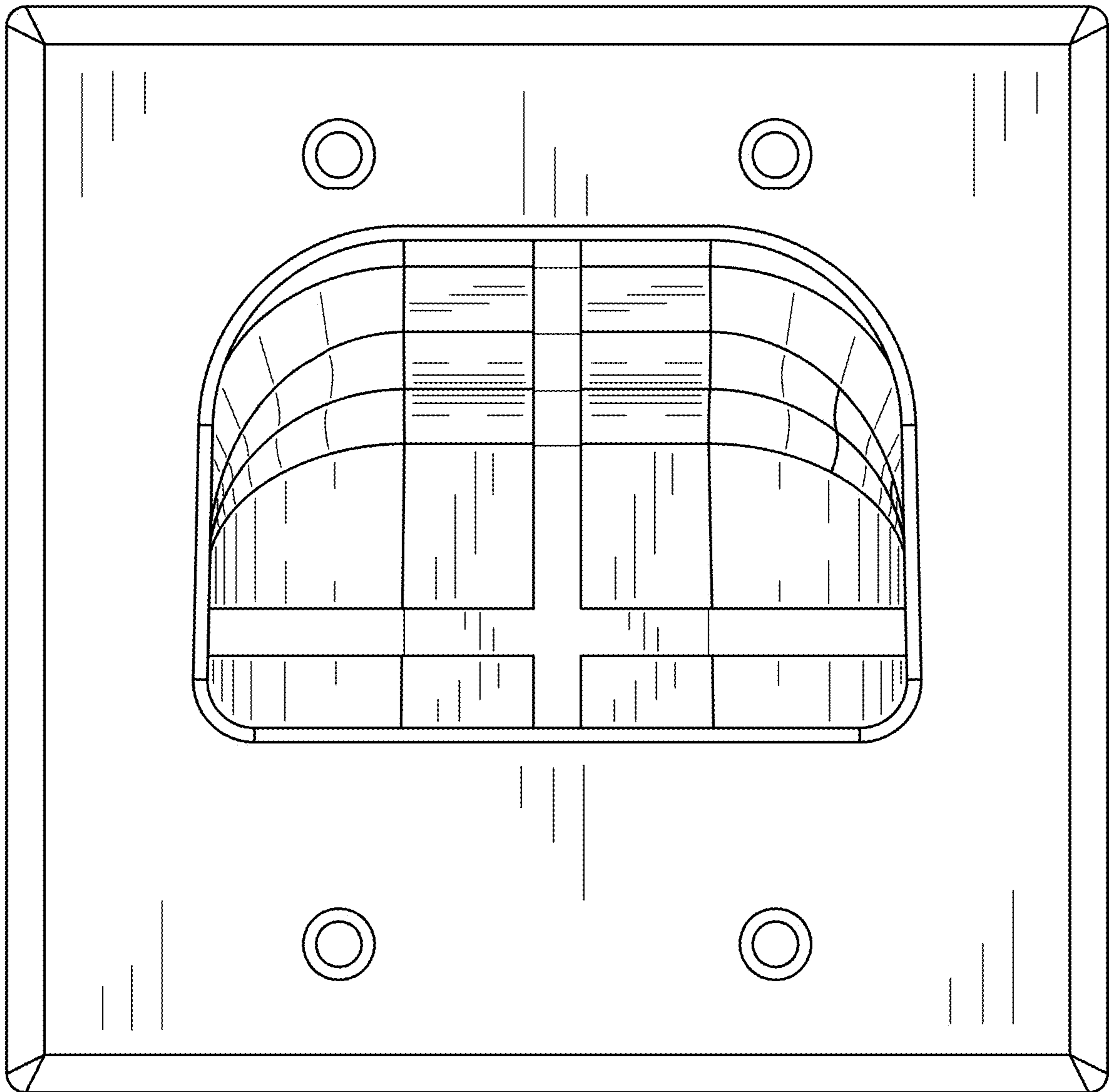


FIG. 7