



US00D922959S

(12) **United States Design Patent**
Oosaka

(10) **Patent No.:** **US D922,959 S**
(45) **Date of Patent:** **** Jun. 22, 2021**

(54) **CONNECTOR**

(71) Applicant: **Japan Aviation Electronics Industry, Limited**, Tokyo (JP)

(72) Inventor: **Junji Oosaka**, Tokyo (JP)

(73) Assignee: **JAPAN AVIATION ELECTRONICS INDUSTRY, LIMITED**, Tokyo (JP)

(**) Term: **15 Years**

(21) Appl. No.: **29/729,026**

(22) Filed: **Mar. 24, 2020**

(30) **Foreign Application Priority Data**

Oct. 2, 2019 (JP) 2019-022154

(51) **LOC (13) Cl.** **13-03**

(52) **U.S. Cl.**
USPC **D13/147**

(58) **Field of Classification Search**
USPC D13/120, 121, 133, 146, 147, 153, 199,
D13/154, 156, 184; D14/432, 433, 434,
D14/435.1, 438

CPC .. H01R 13/506; H01R 13/516; H01R 13/518;
H01R 13/58; H01R 13/627; H01R
13/6315; H01R 13/00; H01R 13/24;
H01R 13/26; H01R 13/28; H01R 13/508;
H01R 13/523; H01R 13/585; H01R
13/6271; H01R 13/6275; H01R 13/635;
H01R 13/639; H01R 13/64; H01R
13/642; H01R 13/6453; H01R 13/6474;
H01R 13/6581; H01R 13/6582; H01R
13/6586; H01R 13/6587; H01R 13/6588;
H01R 13/659; H01R 13/6591; H01R
13/6594; H01R 13/6595; H01R 13/6597;
H01R 13/66; H01R 13/6658; H01R
24/00; H01R 24/60;

(Continued)

(56) **References Cited**

U.S. PATENT DOCUMENTS

D603,798 S * 11/2009 Obikane D13/147
D695,691 S * 12/2013 Kobuchi D13/147

(Continued)

FOREIGN PATENT DOCUMENTS

JP D1627804 * 4/2019
JP D1656934 S 4/2020

OTHER PUBLICATIONS

Japan Patent Office, "Office Action for Japanese Design Application No. 2019-022154," Apr. 10, 2020.

Primary Examiner — Rosemary K Tarcza

Assistant Examiner — Seth David Kumpf

(74) *Attorney, Agent, or Firm* — Manabu Kanosaka

(57) **CLAIM**

The ornamental design for a connector, as shown and described.

DESCRIPTION

FIG. 1 is a front elevational view of a connector showing my new design;

FIG. 2 is a rear elevational view thereof;

FIG. 3 is a right side elevational view thereof;

FIG. 4 is a left side elevational view thereof;

FIG. 5 is a top plan view thereof;

FIG. 6 is a bottom plan view thereof;

FIG. 7 is a perspective view showing a front, top and right side thereof;

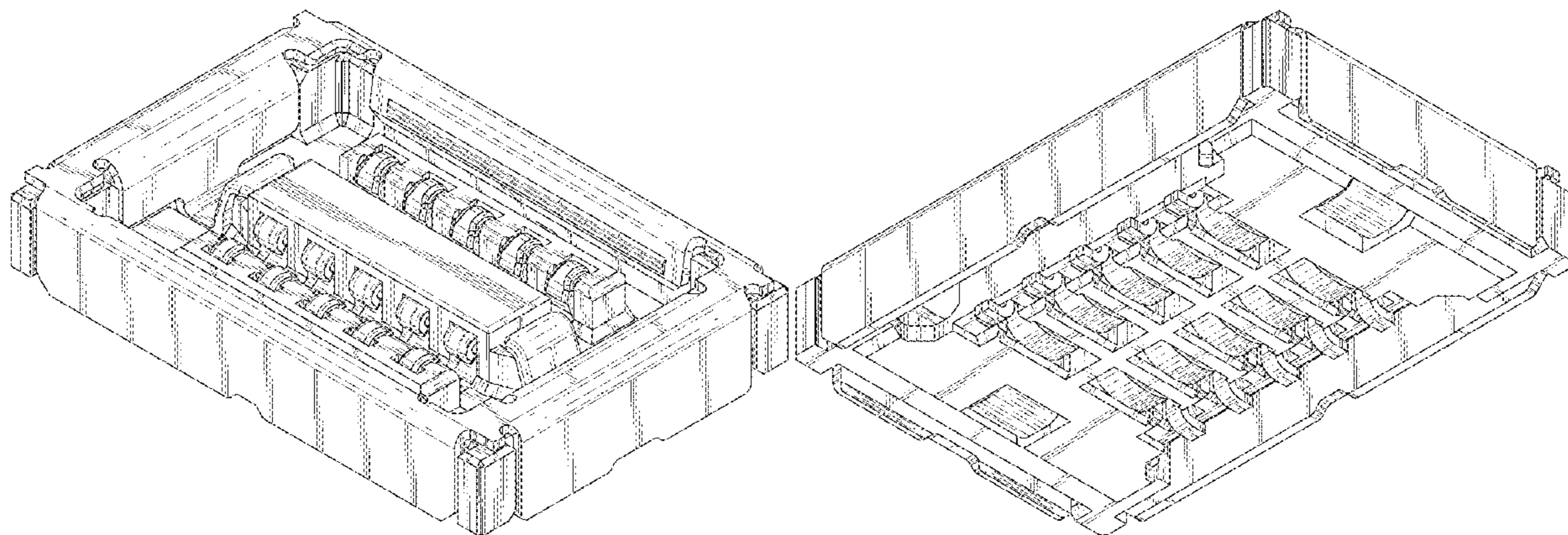
FIG. 8 is a perspective view showing a rear, bottom and left side thereof;

FIG. 9 is a perspective view showing a front, right and bottom side thereof; and,

FIG. 10 is a perspective view showing a rear, left and top side thereof.

The broken line showing of the connector is for the purpose of illustrating portions of the article that forms no part of the claimed design.

1 Claim, 10 Drawing Sheets



(58) **Field of Classification Search**

CPC H01R 24/62; H01R 24/64; H01R 12/51;
H01R 12/52; H01R 12/55; H01R 12/57;
H01R 12/58; H01R 12/592; H01R 12/61;
H01R 12/616; H01R 12/63; H01R 12/70;
H01R 12/7005; H01R 12/7076; H01R
12/71; H01R 12/714; H01R 12/716;
H01R 12/718; H01R 12/72; H01R 12/73;
H01R 12/737; H01R 12/777; H01R
12/778; H01R 12/79

See application file for complete search history.

(56) **References Cited**

U.S. PATENT DOCUMENTS

D703,146	S	*	4/2014	Takenaga	D13/147
D739,826	S	*	9/2015	Omodachi	D13/147
D767,499	S	*	9/2016	Goto	D13/147
D774,463	S	*	12/2016	Omodachi	D13/147
D774,464	S	*	12/2016	Takenaga	D13/147
D793,342	S	*	8/2017	Ashibu	D13/147
D810,694	S	*	2/2018	Horino	D13/147
D816,043	S	*	4/2018	Ashibu	H01R 12/716 D13/147
D828,307	S	*	9/2018	Ashibu	H01R 12/00 D13/147
2016/0315430	A1	*	10/2016	Takeuchi	H01R 12/00
2017/0264048	A1	*	9/2017	Ashibu	H01R 12/716

* cited by examiner

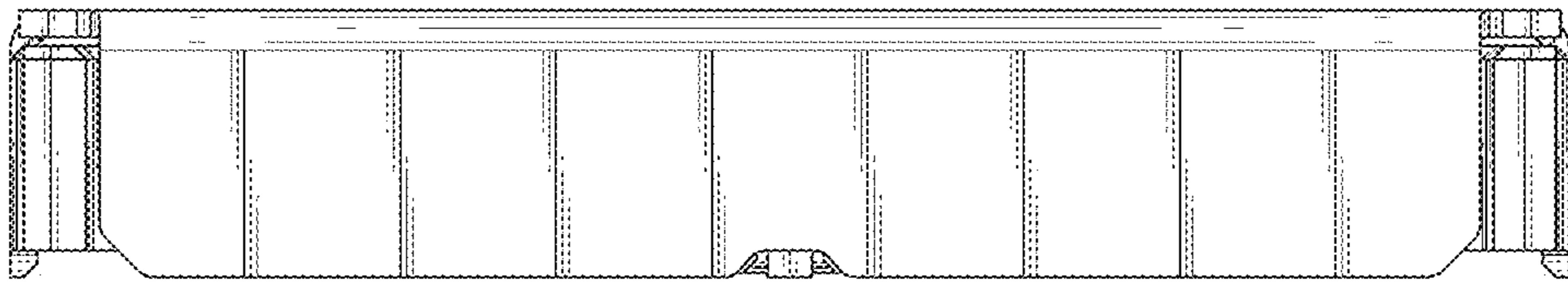


FIG. 1

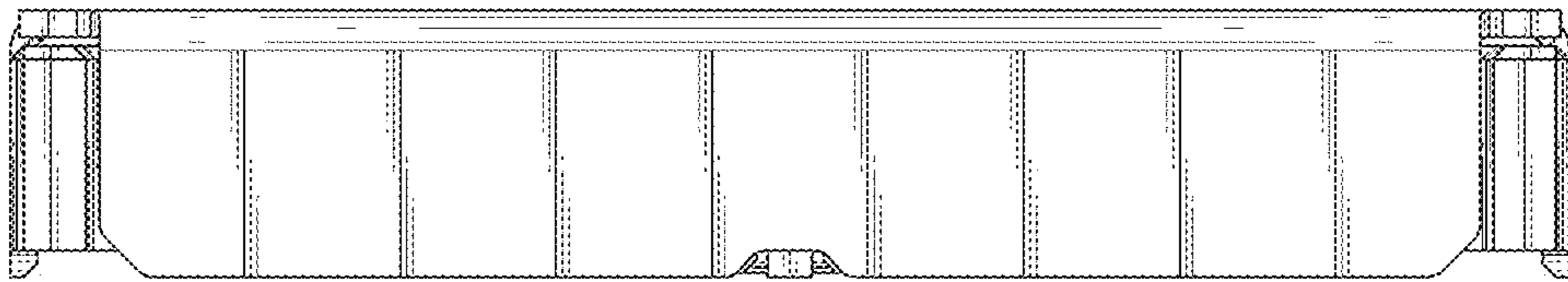


FIG. 2

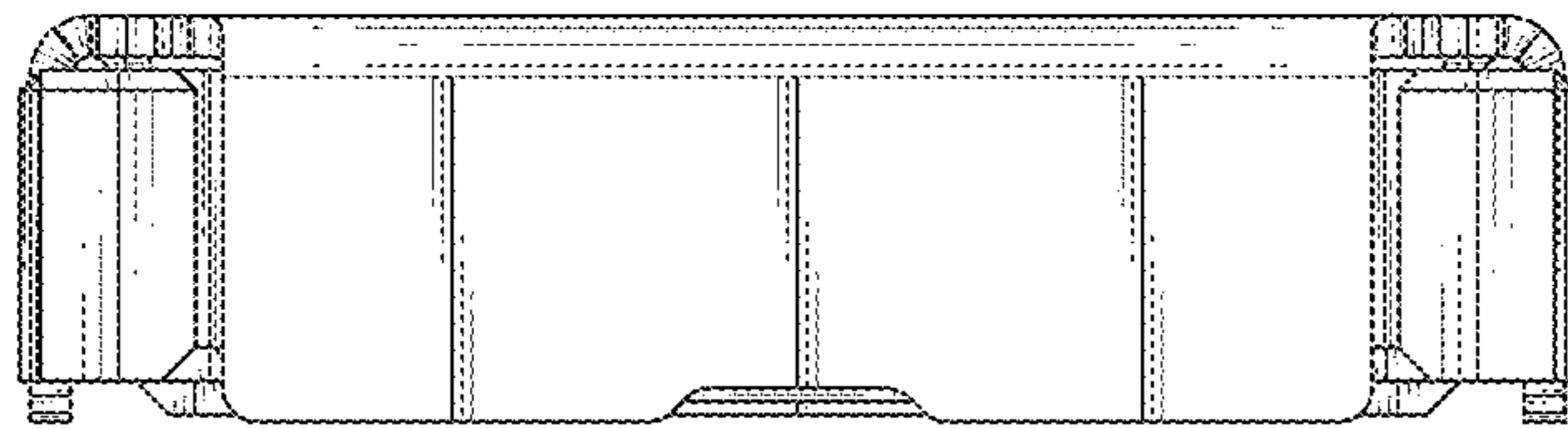


FIG. 3

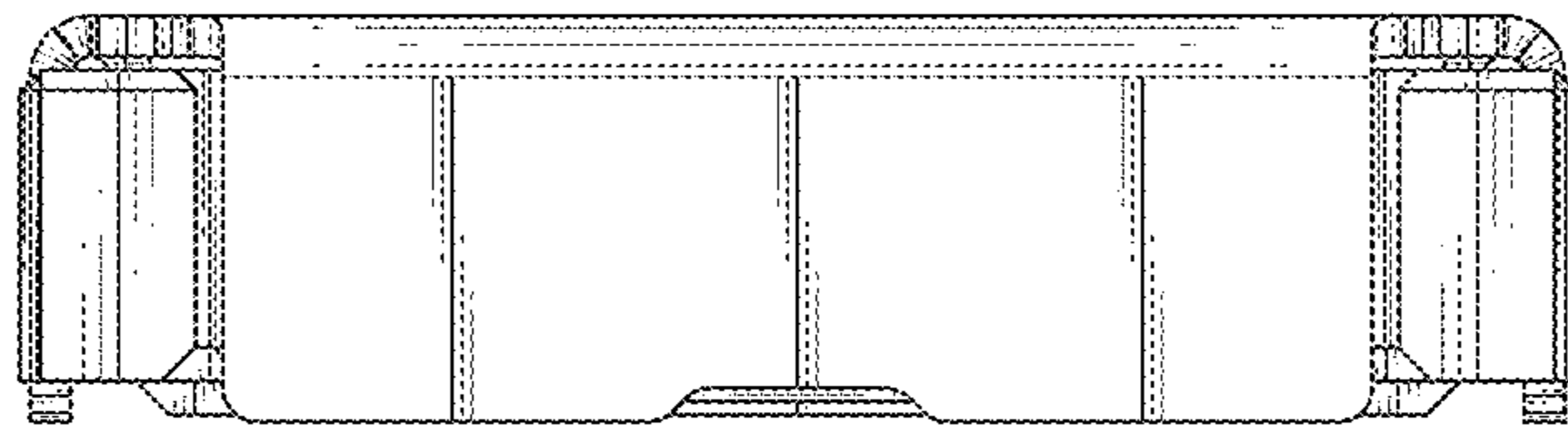


FIG. 4

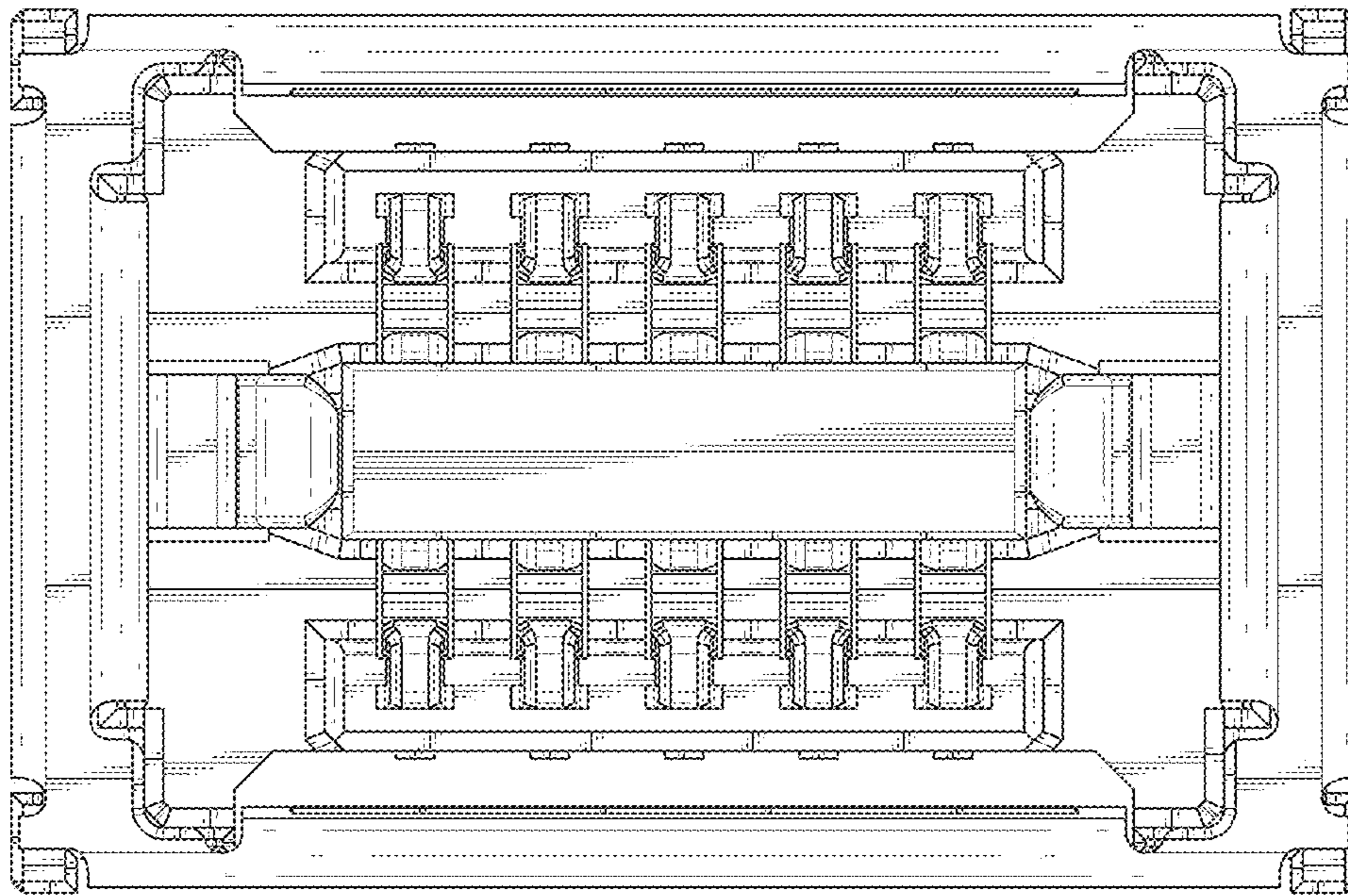


FIG. 5

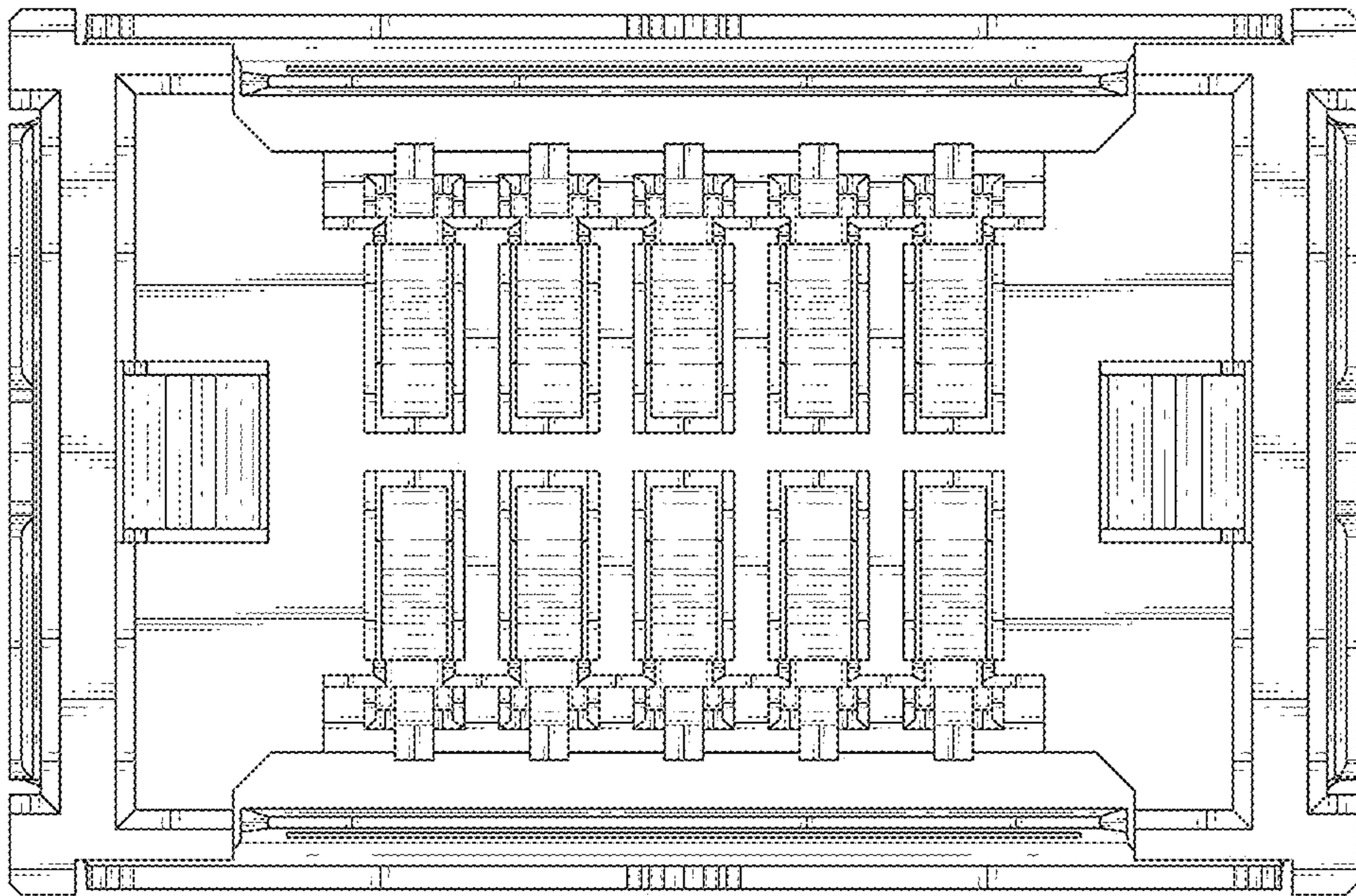


FIG. 6

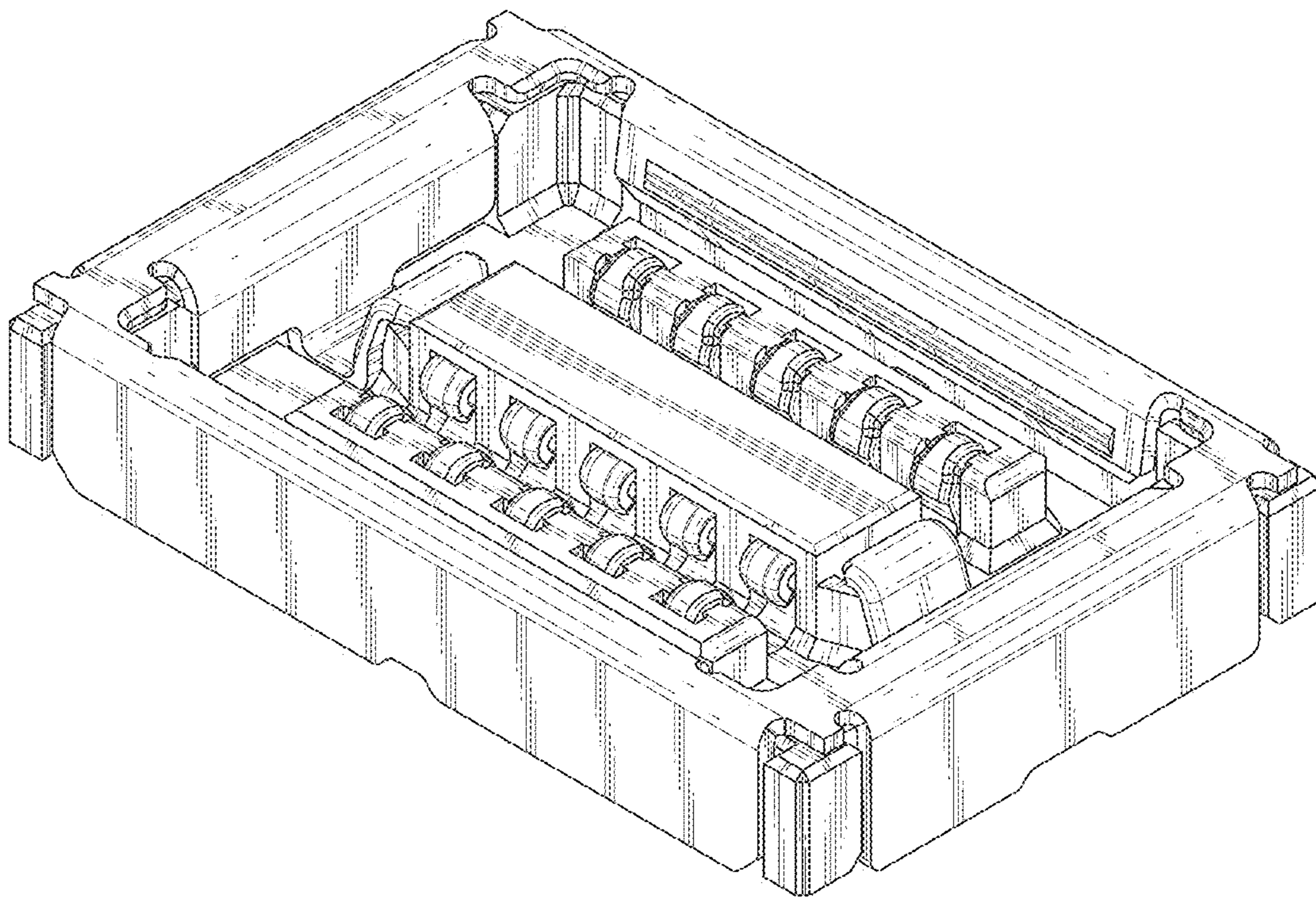


FIG. 7

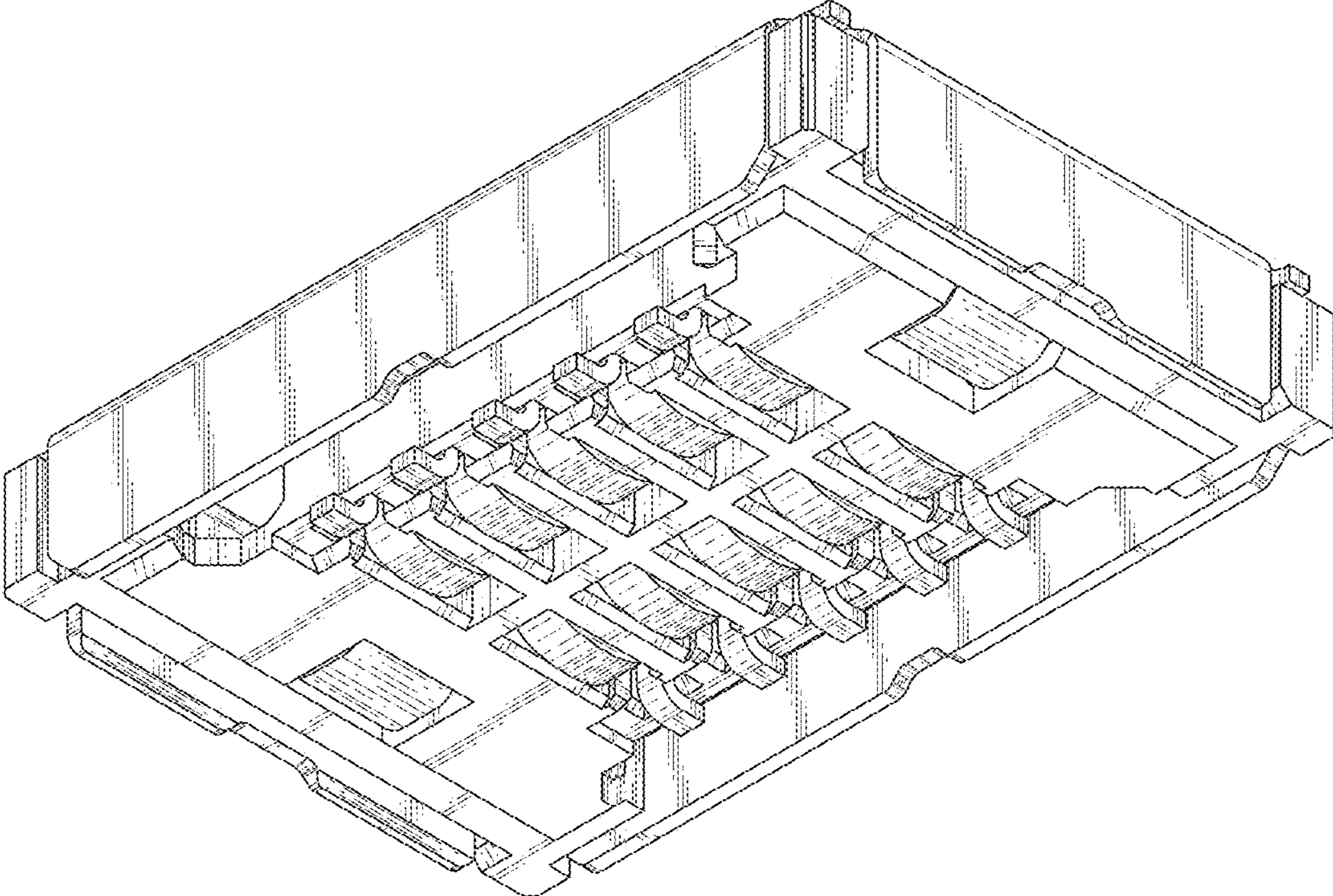


FIG. 8

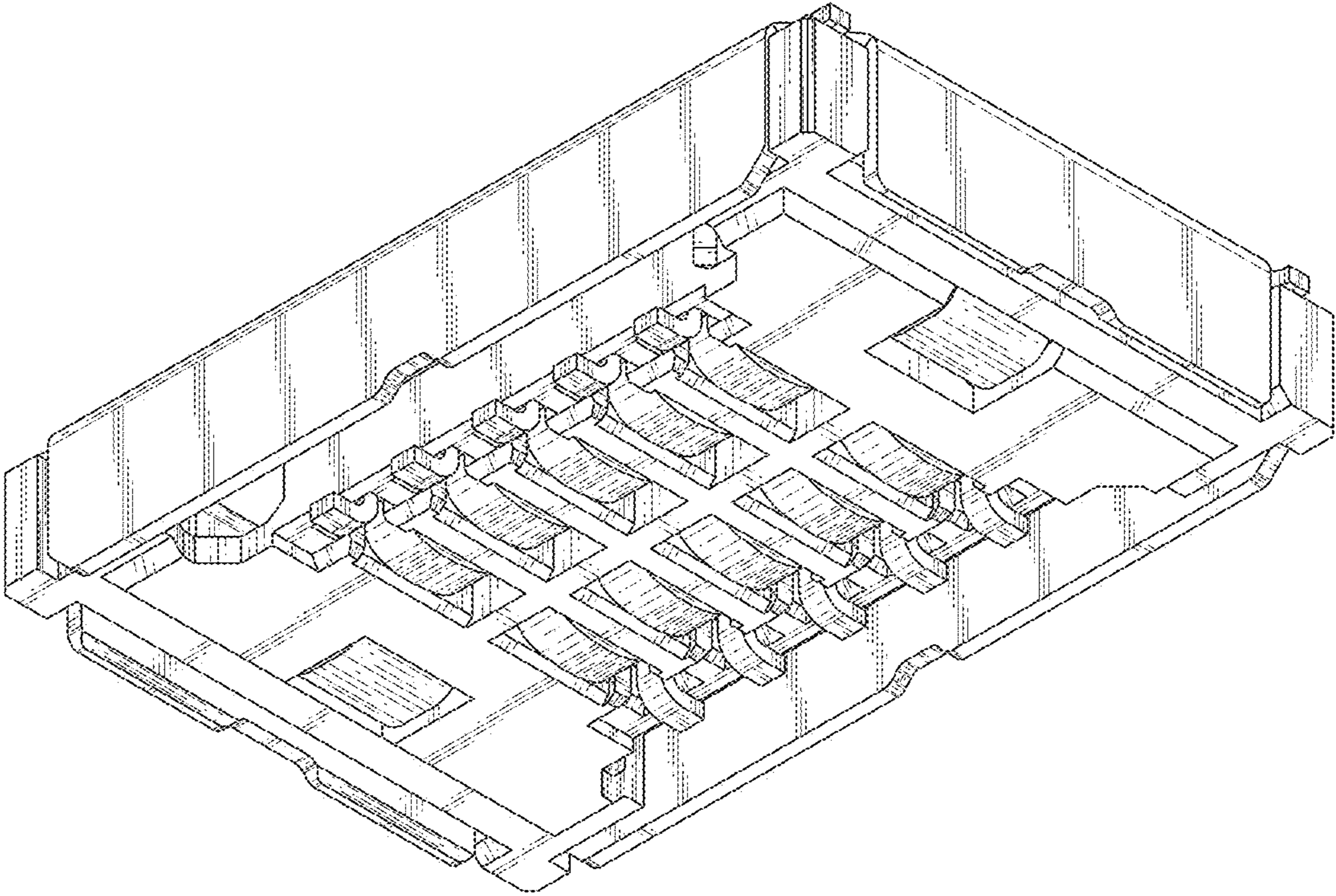


FIG. 9

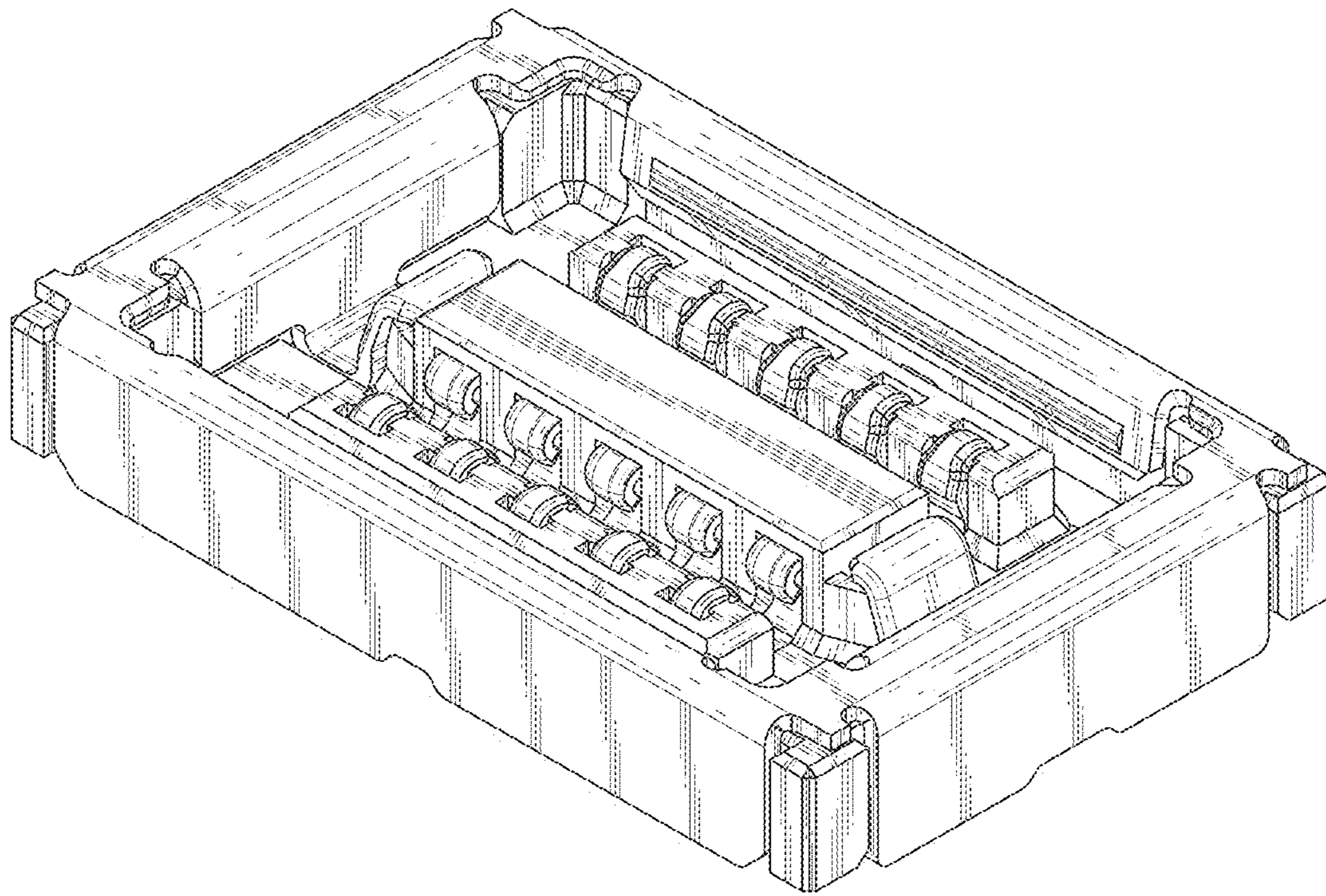


FIG. 10