



US00D922957S

(12) **United States Design Patent**
Yokoyama

(10) **Patent No.:** **US D922,957 S**
(45) **Date of Patent:** **** Jun. 22, 2021**

(54) **CONNECTOR**

(71) Applicant: **Japan Aviation Electronics Industry, Limited**, Tokyo (JP)

(72) Inventor: **Yohei Yokoyama**, Tokyo (JP)

(73) Assignee: **JAPAN AVIATION ELECTRONICS INDUSTRY, LIMITED**, Tokyo (JP)

(**) Term: **15 Years**

(21) Appl. No.: **29/691,805**

(22) Filed: **May 20, 2019**

(30) **Foreign Application Priority Data**

Nov. 28, 2018 (JP) 2018-025818

(51) **LOC (13) Cl.** **13-03**

(52) **U.S. Cl.**
USPC **D13/147**

(58) **Field of Classification Search**
USPC D13/147, 146, 133, 154, 118, 110, 101,
D13/123, 184, 199, 153, 155, 156;
D14/356, 433, 432, 435.1, 182, 435, 199,
D14/149
CPC H01R 24/60; H01R 24/70; H01R 13/5205;
H01R 13/5219; H01R 13/642; H01R
13/6471; H01R 13/6581; H01R 13/6582;
H01R 13/6591; H01R 13/6596
See application file for complete search history.

(56) **References Cited**

U.S. PATENT DOCUMENTS

D744,430 S *	12/2015	Yokoyama	D13/147
D797,063 S *	9/2017	Tsai	D13/174
D825,473 S *	8/2018	Kurosawa	D13/147
D867,301 S *	11/2019	Saitou	D13/147
2016/0013595 A1 *	1/2016	Kao	H01R 13/6474 439/607.55

2016/0294130 A1 *	10/2016	Guo	H01R 24/60
2016/0322759 A1 *	11/2016	Park	H01R 13/6585
2016/0352050 A1 *	12/2016	Hu	H01R 13/648
2017/0110812 A1 *	4/2017	Tsai	H01R 12/57
2017/0141495 A1 *	5/2017	Cheng	H01R 13/405
2017/0149172 A1 *	5/2017	Nishikata	H01R 13/41
2017/0237195 A1 *	8/2017	Oguro	H01R 24/60 439/607.01
2017/0338576 A1 *	11/2017	Sato	H01R 12/721
2017/0373444 A1 *	12/2017	Hu	H01R 13/6582
2018/0076581 A1 *	3/2018	Tsai	H01R 24/60
2018/0226740 A1 *	8/2018	Sato	H01R 13/405

(Continued)

Primary Examiner — Susan Bennett Hattan

Assistant Examiner — Landon T Cassell

(74) *Attorney, Agent, or Firm* — Manabu Kanesaka

(57) **CLAIM**

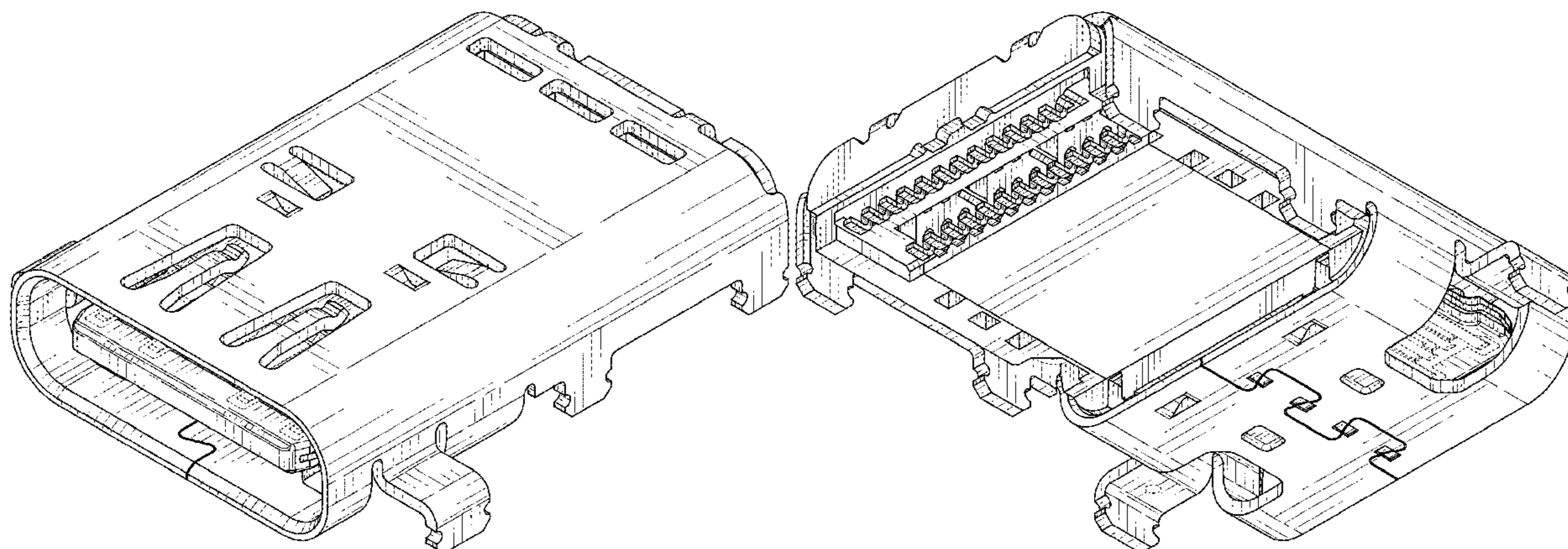
The ornamental design for a connector, as shown and described.

DESCRIPTION

FIG. 1 is a front elevational view of a connector showing my new design;
 FIG. 2 is a rear elevational view thereof;
 FIG. 3 is a right side elevational view thereof;
 FIG. 4 is a left side elevational view thereof;
 FIG. 5 is a top plan view thereof;
 FIG. 6 is a bottom plan view thereof;
 FIG. 7 is a perspective view showing a front, top and right side thereof;
 FIG. 8 is a perspective view showing a rear, bottom and left side thereof;
 FIG. 9 is a perspective view showing a front, right and bottom side thereof; and,
 FIG. 10 is a perspective view showing a rear, left and top side thereof.

The broken line showing of the connector is for the purpose of illustrating portions of the article and forms no part of the claimed design.

1 Claim, 5 Drawing Sheets



(56)

References Cited

U.S. PATENT DOCUMENTS

2019/0229470 A1* 7/2019 Cheng H01R 24/60
2019/0326693 A1* 10/2019 Tsai H01R 13/642
2020/0119497 A1* 4/2020 Chou H01R 13/6471
2020/0136315 A1* 4/2020 Tanaka H01R 13/405
2020/0244000 A1* 7/2020 Naito H01R 13/506
2020/0313331 A1* 10/2020 Oosaka H01R 13/26
2020/0313360 A1* 10/2020 Oosaka H01R 13/6273

* cited by examiner

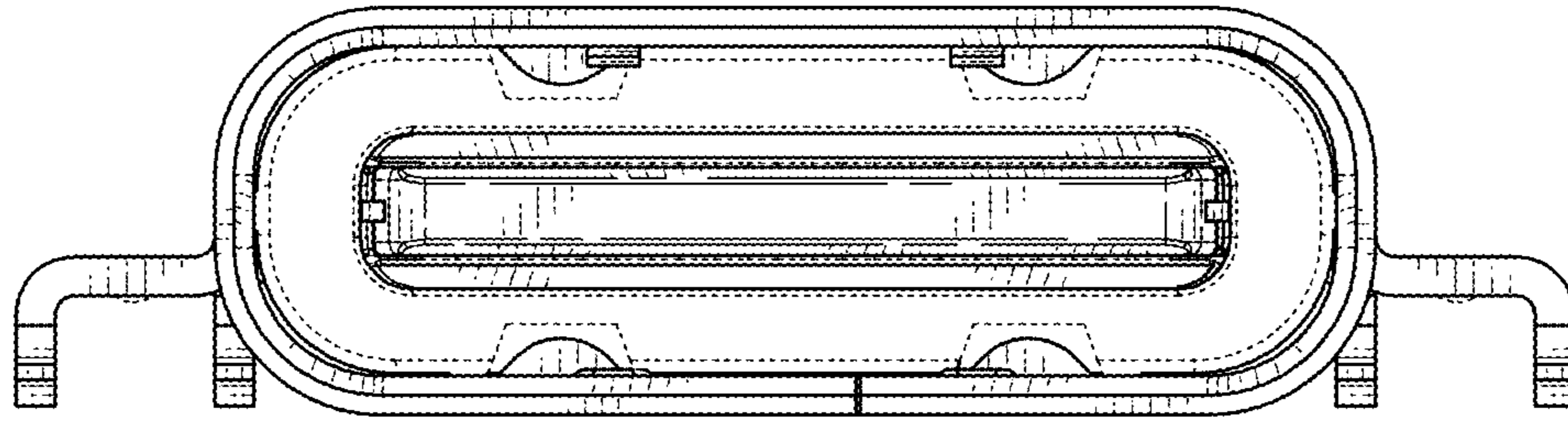


FIG. 1

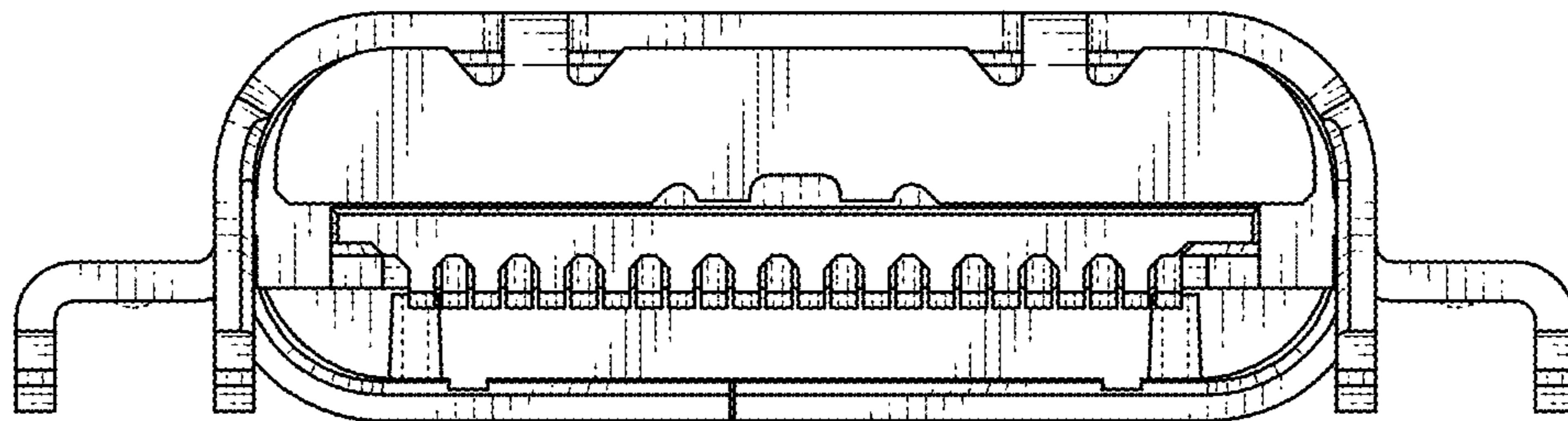


FIG. 2

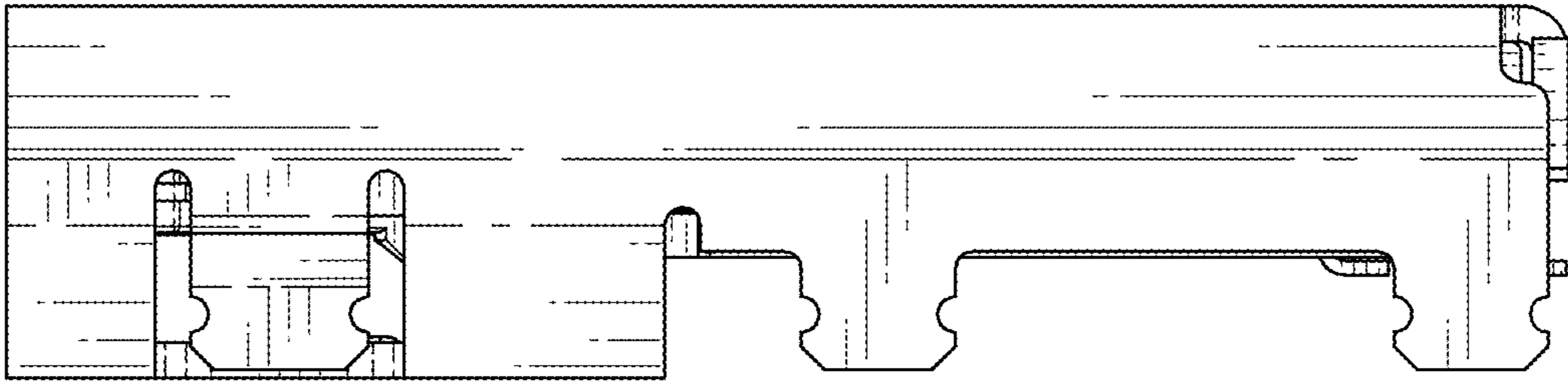


FIG. 3

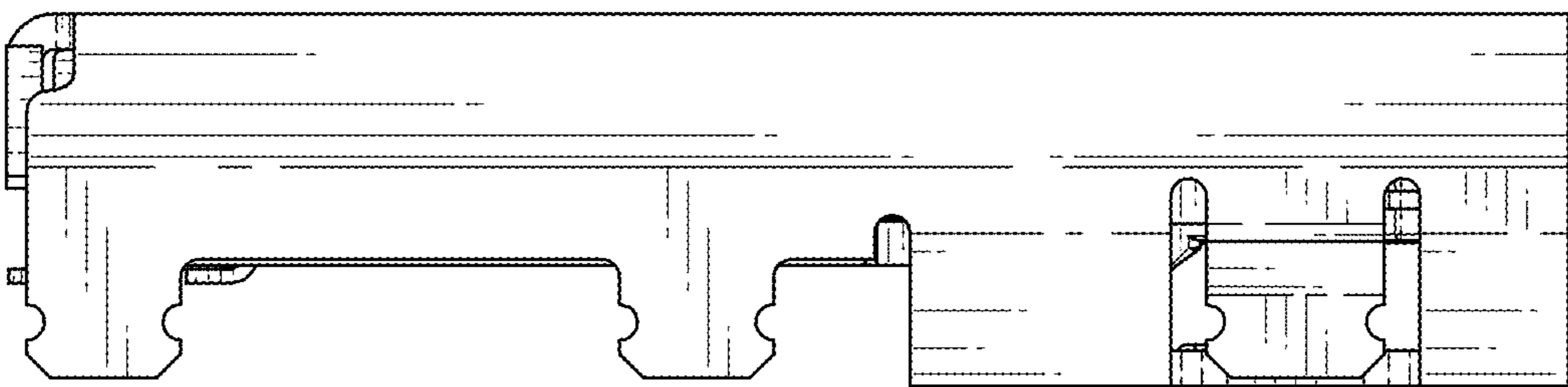


FIG. 4

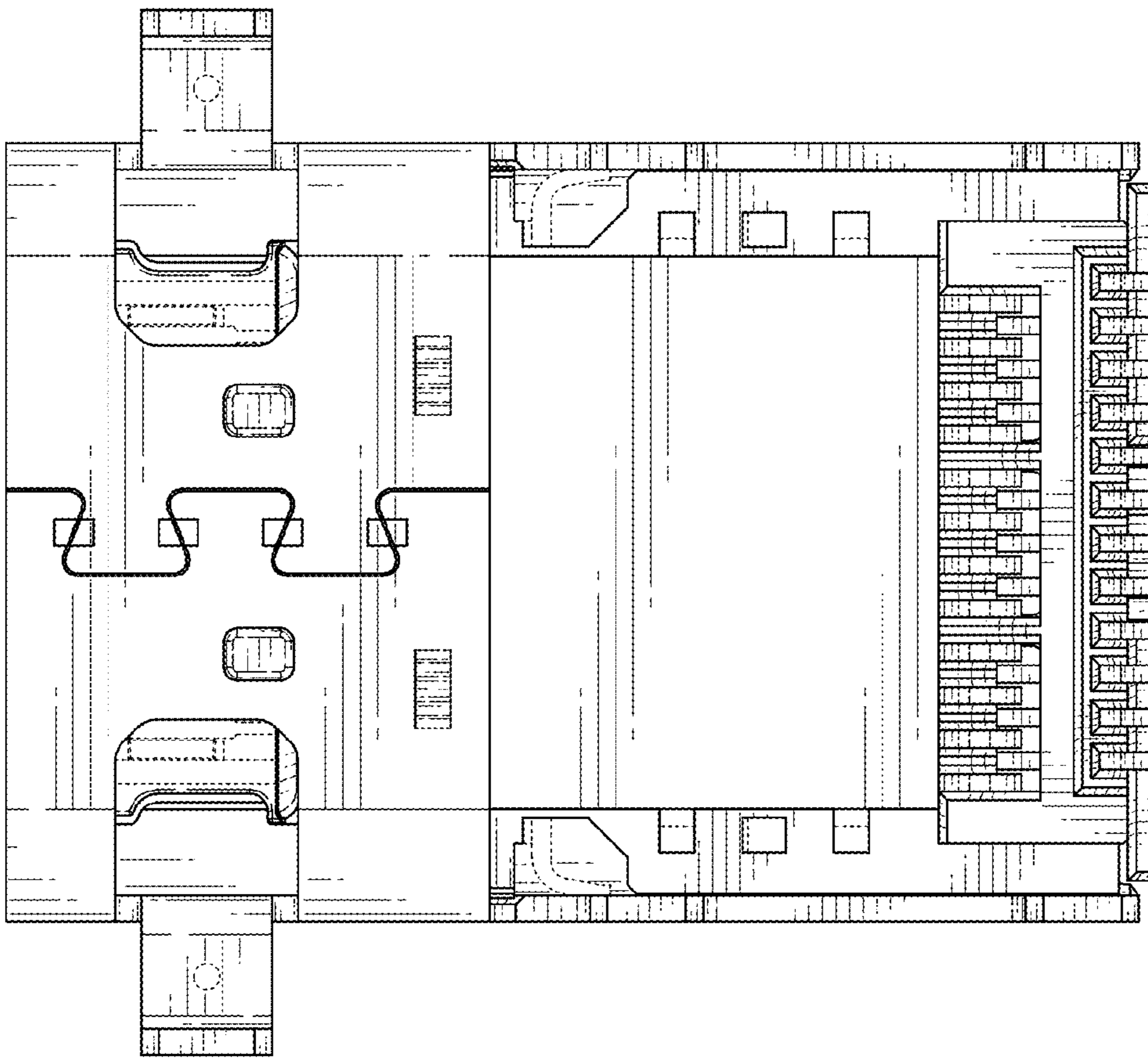


FIG. 6

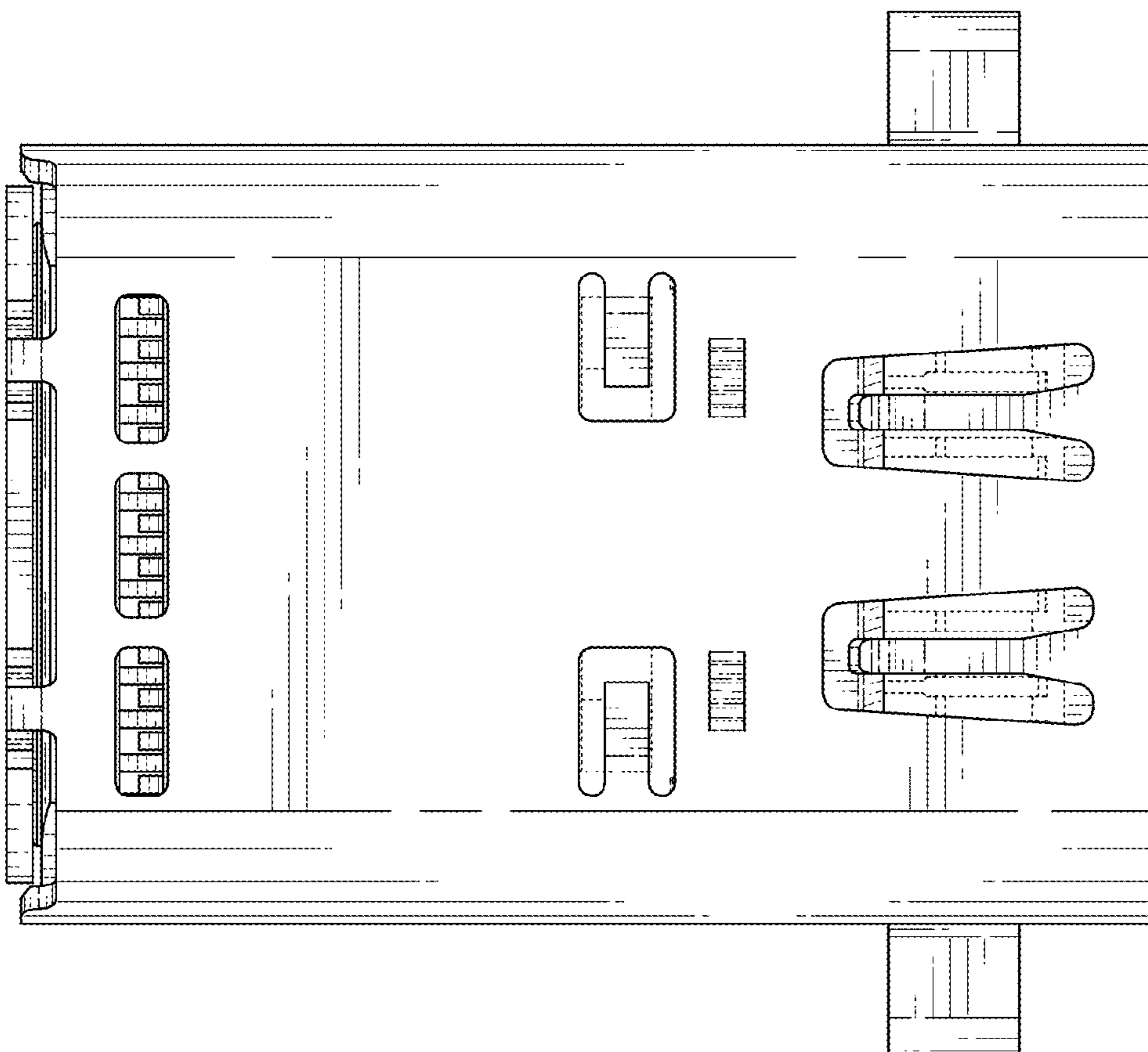


FIG. 5

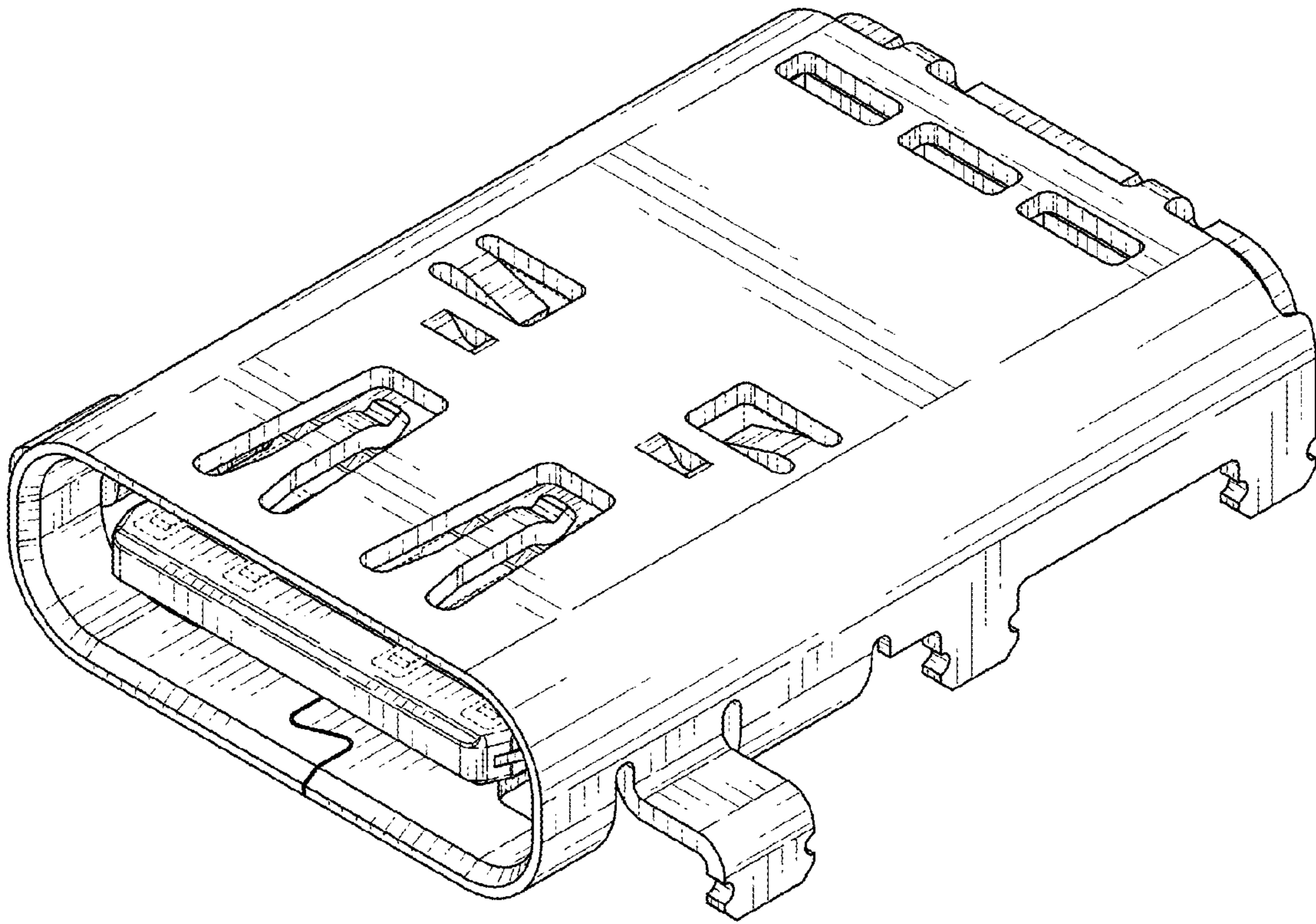


FIG. 7

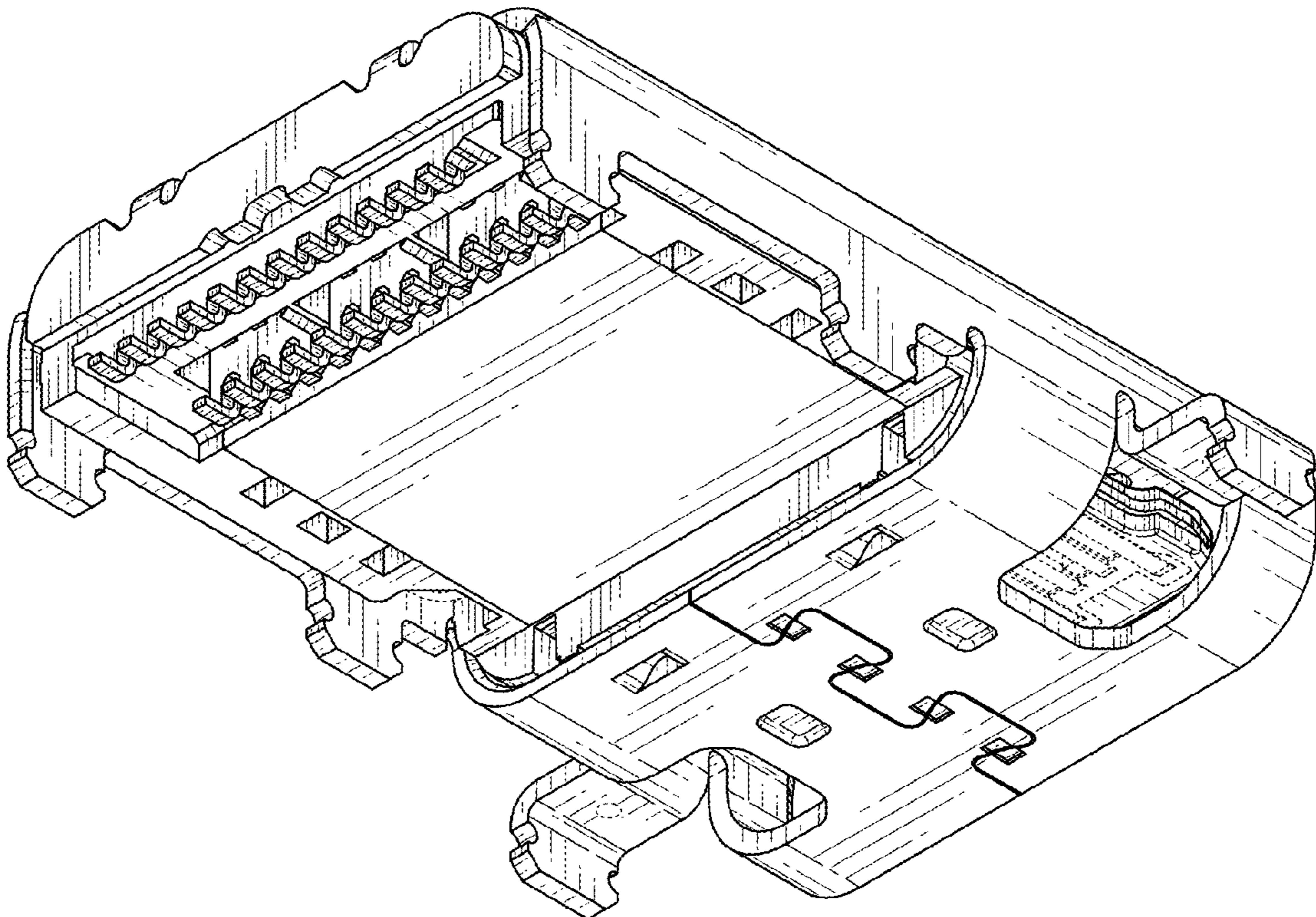


FIG. 8

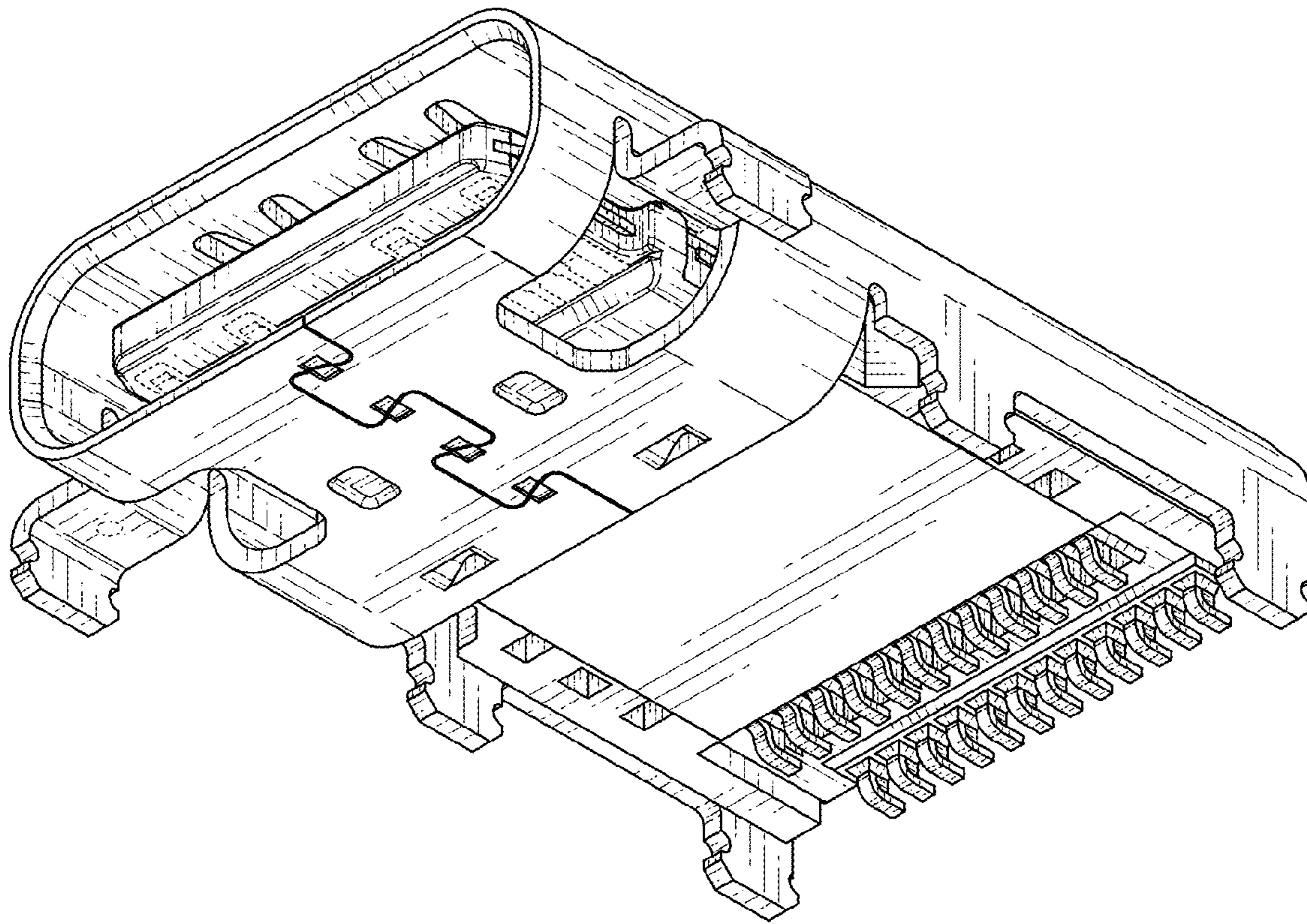


FIG. 9

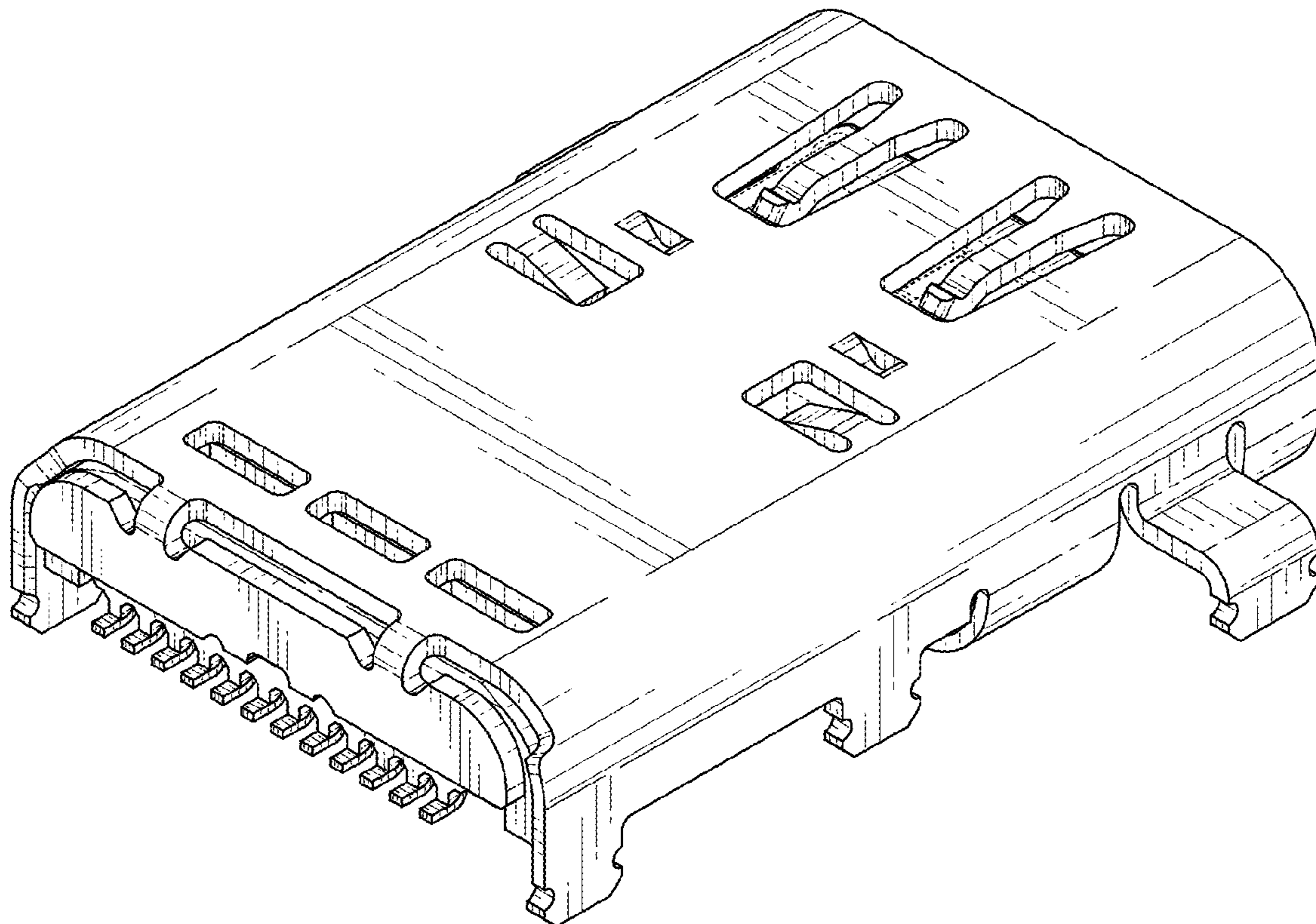


FIG. 10