



US00D922956S

(12) **United States Design Patent** (10) **Patent No.:** **US D922,956 S**  
**Yan** (45) **Date of Patent:** **\*\* Jun. 22, 2021**

(54) **EXTENSION SOCKET**  
(71) Applicant: **SHENZHEN MINGRUI INDUSTRIAL CO., LTD**, Shenzhen (CN)  
(72) Inventor: **Bingjie Yan**, Luoyang (CN)  
(73) Assignee: **SHENZHEN MINGRUI INDUSTRIAL CO., LTD**, Shenzhen (CN)  
(\*\*) Term: **15 Years**  
(21) Appl. No.: **29/765,764**  
(22) Filed: **Jan. 11, 2021**  
(51) **LOC (13) Cl.** ..... **13-03**  
(52) **U.S. Cl.**  
USPC ..... **D13/139.8**  
(58) **Field of Classification Search**  
USPC ..... D13/137.1–137.4, 138.1–138.2, D13/139.1–139.8, 110  
CPC ..... H01R 25/003  
See application file for complete search history.

D904,983 S \* 12/2020 Chen ..... D13/139.8  
D908,631 S \* 1/2021 Yu ..... D13/137.2  
D918,147 \* 5/2021 Yu ..... D13/139.8

**OTHER PUBLICATIONS**

“Power Strip, bototek . . .” reference dated May 8, 2021 found on the internet by RMS at:  [“20 Outlet . . .” reference dated May 8, 2021 found by RMS on the internet at:](https://www.amazon.com/Bototek-Protector-Charging-Extension-Smartphone/dp/B07MVZZV3G/ref=asc_df_B07MVZZV3G/?tag=hyprod-20&linkCode=df0&hvadid=309881068962&hvpos=&hvnetw=g&hvrnd=15649721423053270176&hvpone=&hvptwo=&hvqmt=&hvdev=c&.”</a><br/>“PowerPort Strip 12” reference dated May 8, 2021 found by RMS on the internet at: <a href=)

\* cited by examiner

*Primary Examiner* — Rhea Shields

(57) **CLAIM**

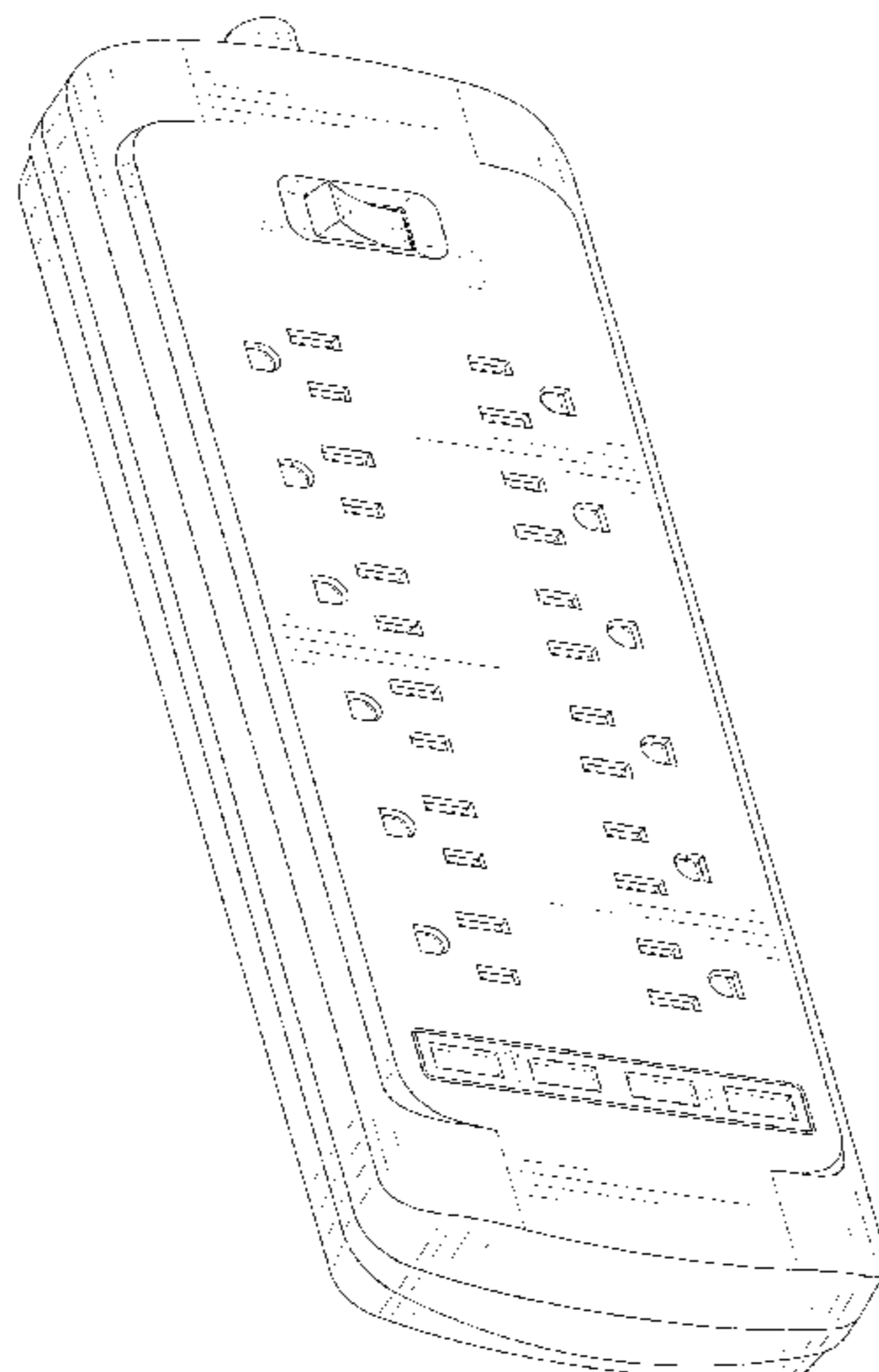
The ornamental design for an extension socket, as shown and described.

**DESCRIPTION**

FIG. 1 is a perspective view of an extension socket showing my new design;  
FIG. 2 is another perspective view thereof;  
FIG. 3 is a front elevational view thereof;  
FIG. 4 is a rear elevational view thereof;  
FIG. 5 is a left side elevational view thereof;  
FIG. 6 is a right side elevational view thereof;  
FIG. 7 is a top plan view thereof; and,  
FIG. 8 is a bottom plan view thereof.  
The broken lines in the drawings depict portions of the extension socket that form no of the claimed design.

**1 Claim, 8 Drawing Sheets**

(56) **References Cited**  
**U.S. PATENT DOCUMENTS**  
D401,221 S \* 11/1998 Dwight ..... D13/139.6  
D409,978 S \* 5/1999 Stekelenburg ..... D13/139.6  
D517,484 S \* 3/2006 Wakefield ..... D13/139.8  
7,193,830 B2 \* 3/2007 Fournier ..... H01R 25/003  
361/111  
D581,872 S \* 12/2008 Zhou ..... D13/139.6  
D581,873 S \* 12/2008 Zhou ..... D13/139.6  
D581,874 S \* 12/2008 Zhou ..... D13/139.6  
D775,081 S \* 12/2016 Xu ..... D13/139.6  
D796,445 S \* 9/2017 Xu ..... D13/139.6  
D797,676 S 9/2017 Xu  
D816,039 S \* 4/2018 Lu ..... D13/139.8  
D864,874 S \* 10/2019 Xu ..... D13/139.8  
D867,998 S \* 11/2019 Gorretta ..... D13/139.8  
D899,375 S \* 10/2020 Bao ..... D13/139.8  
D900,033 S \* 10/2020 Chen ..... D13/137.2  
D900,748 S \* 11/2020 Chen ..... D13/137.2



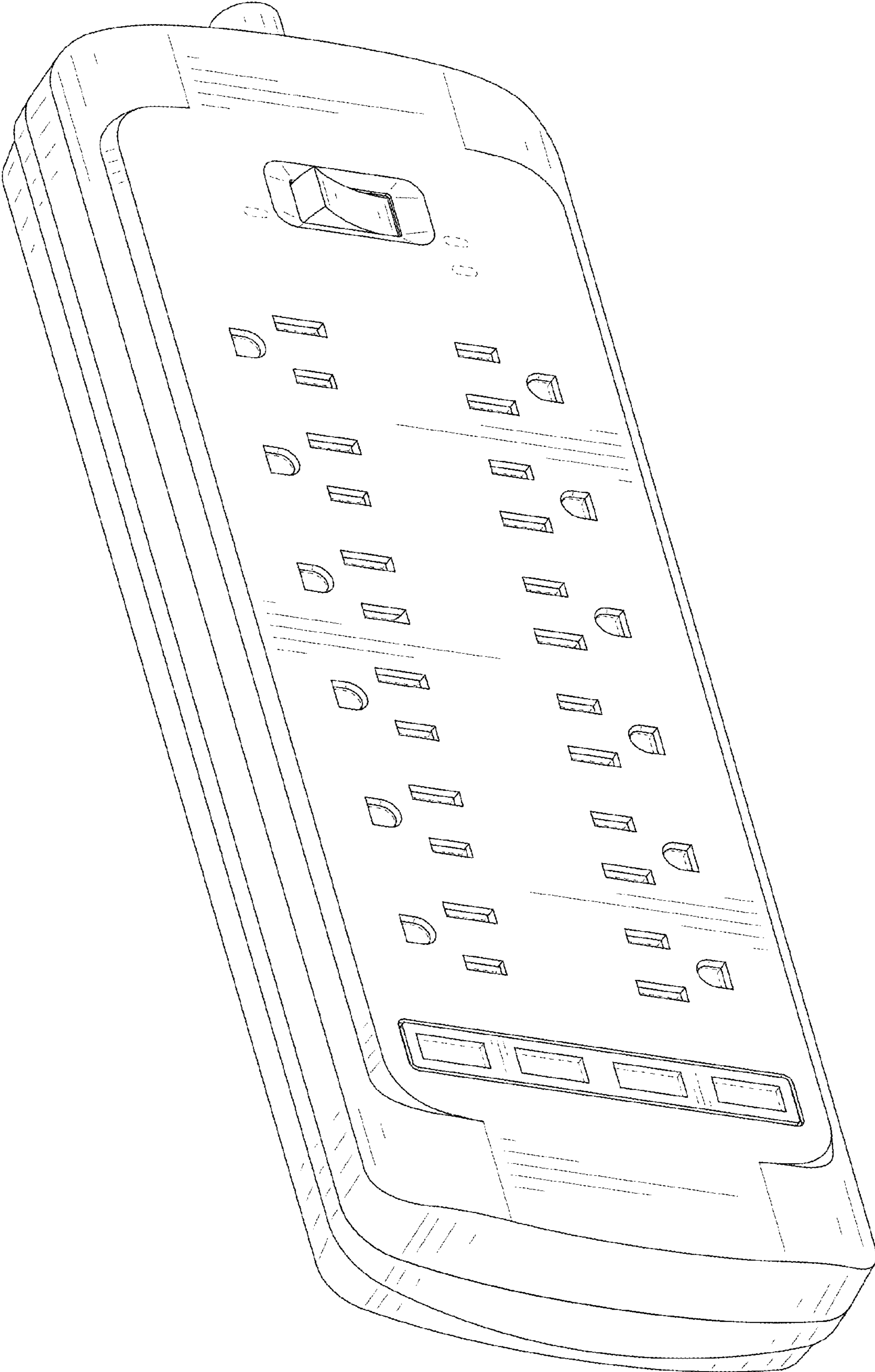


FIG. 1

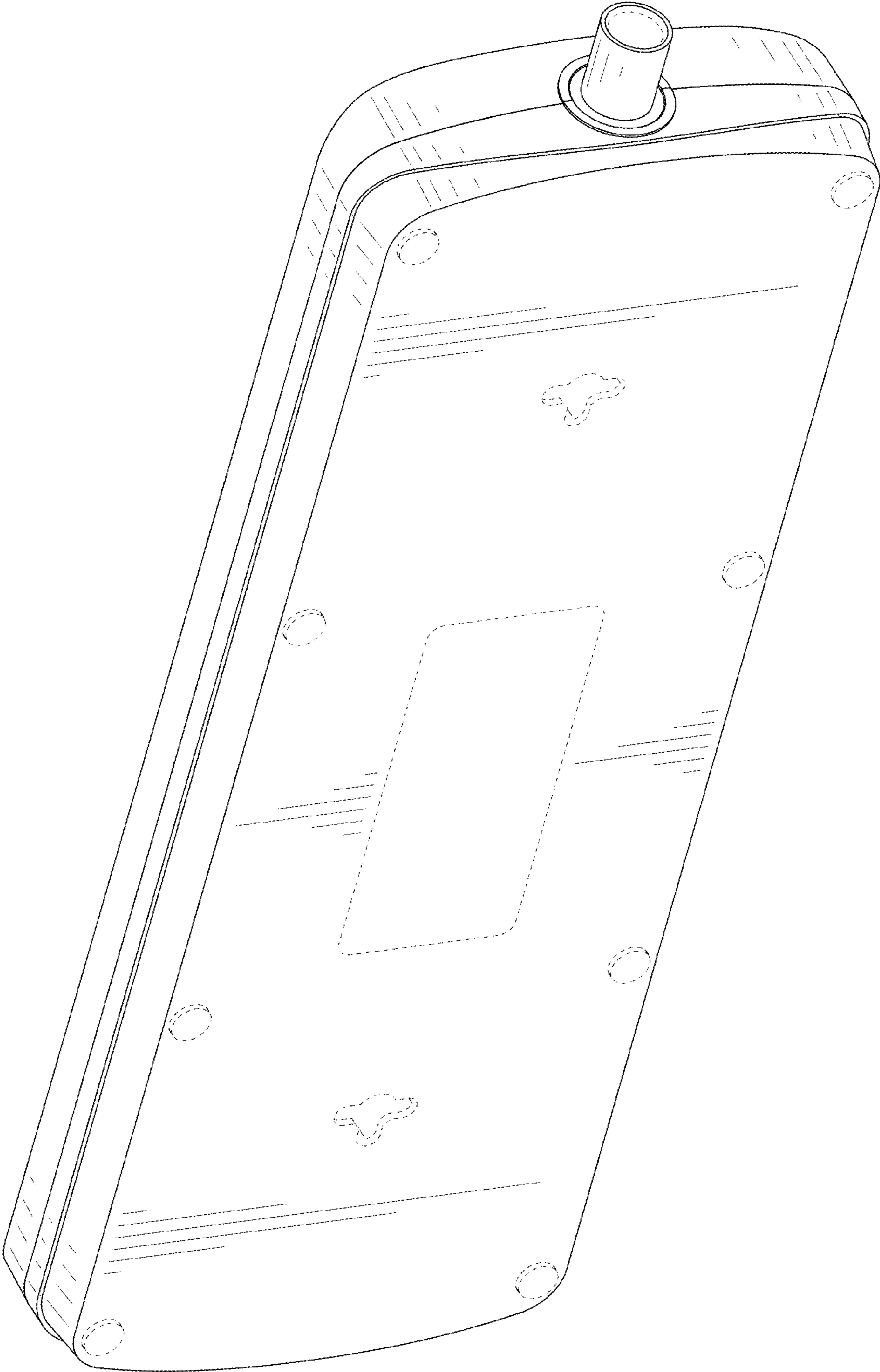


FIG. 2

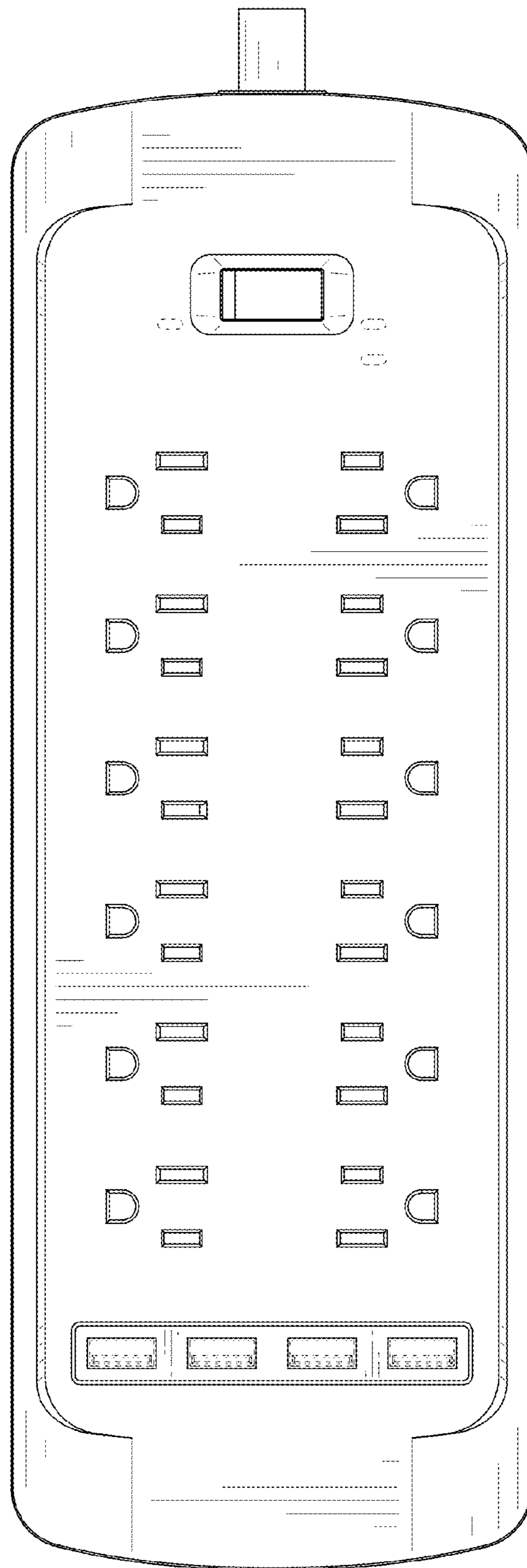


FIG. 3

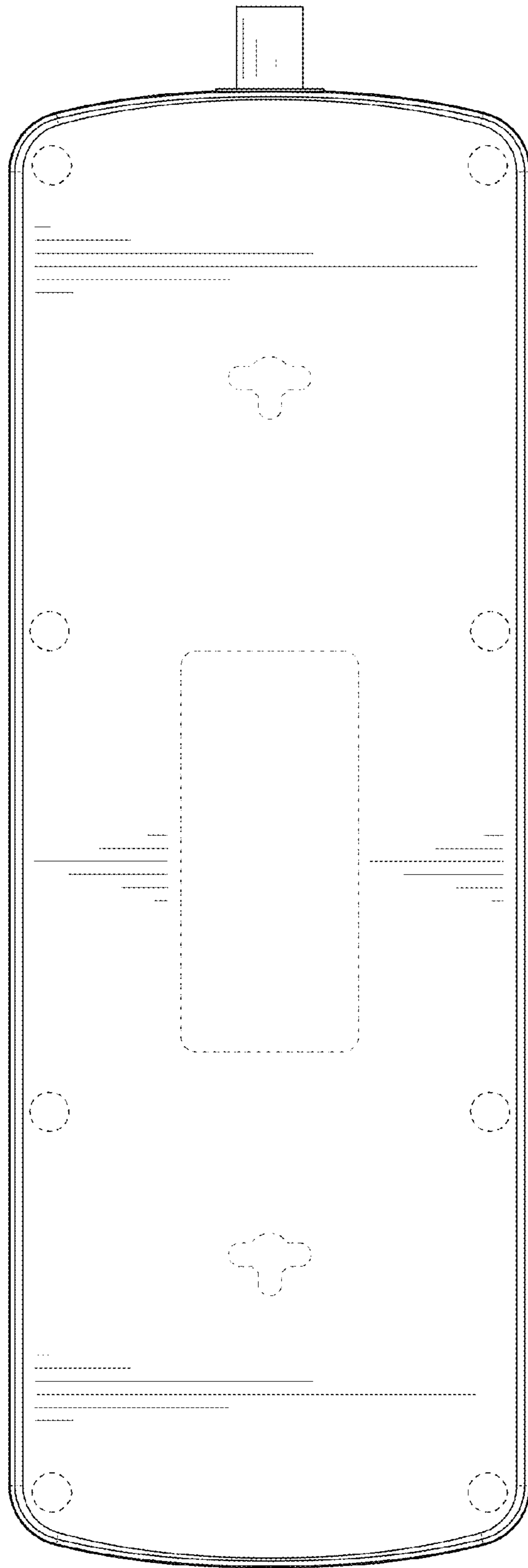


FIG. 4

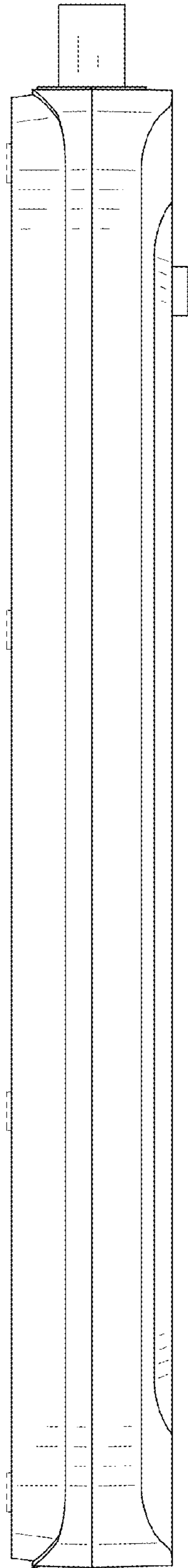


FIG. 5

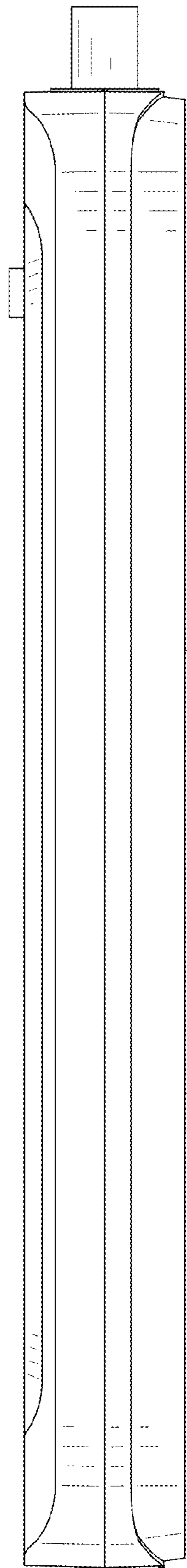


FIG. 6

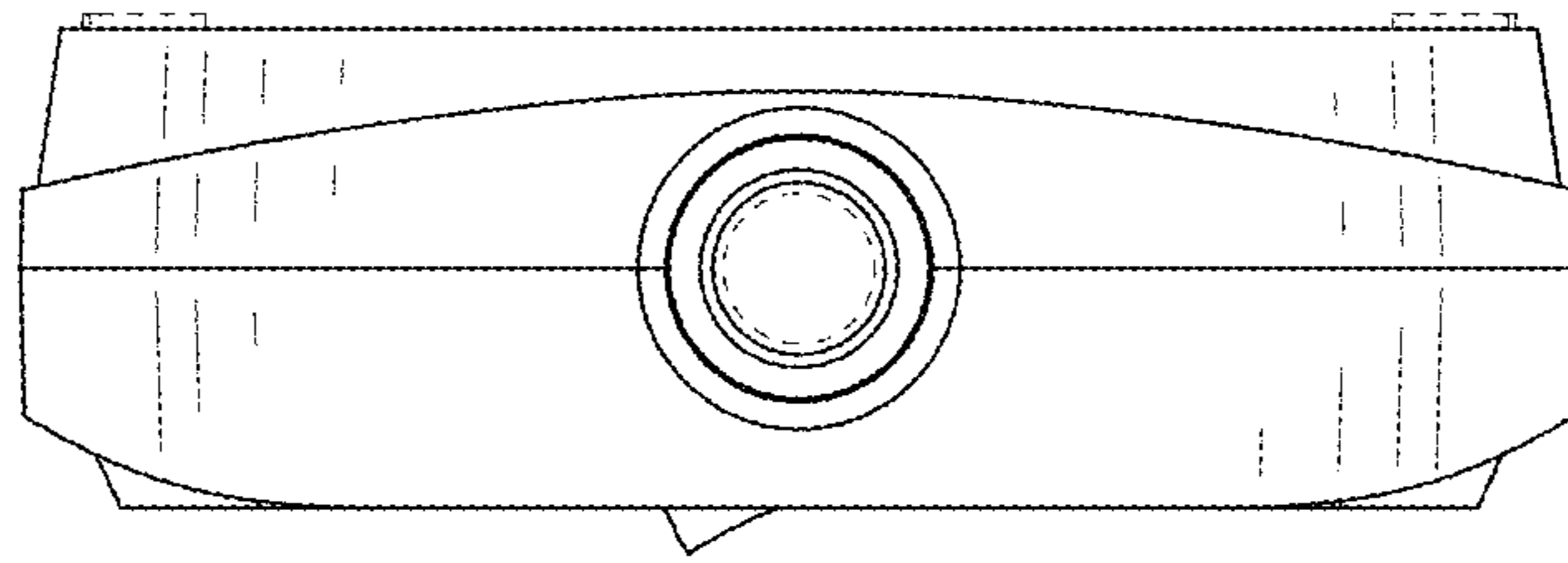


FIG. 7



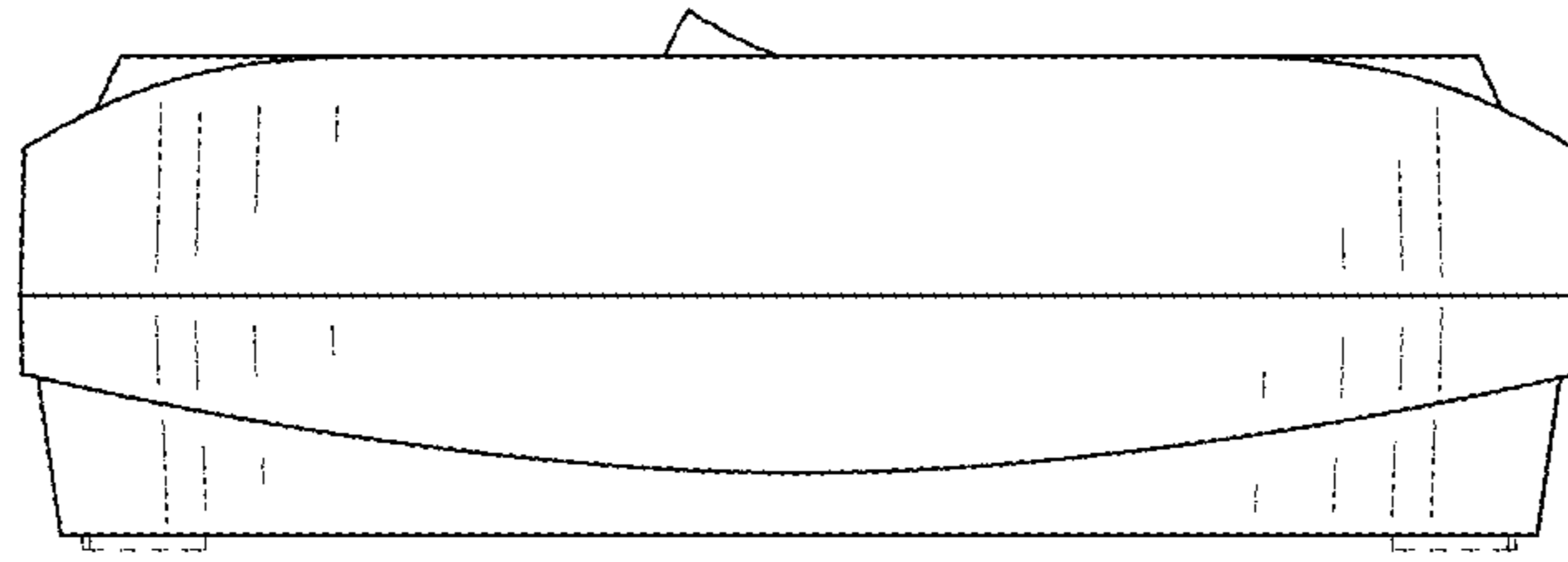


FIG. 8