



US00D922952S

(12) **United States Design Patent**  
**Alexander**

(10) **Patent No.:** **US D922,952 S**  
(45) **Date of Patent:** **\*\* Jun. 22, 2021**

(54) **POWER SUPPLY TOWER**

(71) Applicant: **HERMAN MILLER, INC.**, Zeeland, MI (US)

(72) Inventor: **Brian David Alexander**, Douglas, MI (US)

(73) Assignee: **HERMAN MILLER, INC.**, Zeeland, MI (US)

(\*\*) Term: **15 Years**

(21) Appl. No.: **29/650,869**

(22) Filed: **Jun. 11, 2018**

(51) **LOC (13) Cl.** ..... **13-03**

(52) **U.S. Cl.**  
USPC ..... **D13/139.4**

(58) **Field of Classification Search**

USPC ..... D13/103, 107-110, 118, 119, 146, 147, D13/153, 155, 184, 199, 154; D32/31; D8/356, 358; D14/433, 451  
CPC ..... Y02E 60/12; H02J 7/025; H02J 7/0042; H02J 7/0044; H02J 7/0045; H02J 7/0003; H02J 7/0027; H02J 7/0013; H02J 7/0054; H02J 7/00; H02J 2001/008; H02J 3/32; H02J 3/008; H01F 38/14; H01R 13/6675; H01M 2/1022; H01M 2/1055; H01M 10/44; H01M 10/46; H01M 10/425; B60L 11/182; B60L 11/1809; B60L 11/1861; B60R 16/03  
See application file for complete search history.

(56) **References Cited**

**U.S. PATENT DOCUMENTS**

D456,353 S \* 4/2002 Shown ..... D13/110  
D477,311 S \* 7/2003 Noro ..... D14/230  
D512,986 S \* 12/2005 Lee ..... D14/211  
D523,268 S \* 6/2006 Goodman ..... D6/521  
D544,248 S \* 6/2007 Parisot ..... D6/686  
D608,731 S \* 1/2010 Amit ..... D13/107

D653,613 S \* 2/2012 Sasada ..... D13/108  
D664,500 S \* 7/2012 Degn ..... D13/107  
D670,244 S \* 11/2012 Workman ..... D13/110  
D681,647 S \* 5/2013 Choi ..... D14/451  
D691,117 S \* 10/2013 Silvera ..... D14/216  
D699,202 S \* 2/2014 Rose ..... D13/199  
D702,244 S \* 4/2014 Seo ..... D14/451  
D778,634 S \* 2/2017 Locker ..... D6/521  
D787,522 S \* 5/2017 Lee ..... D14/451  
D794,558 S \* 8/2017 Zhou ..... D13/108  
D806,035 S \* 12/2017 Byrne ..... D13/139.5  
D889,401 S \* 7/2020 Li ..... D13/108

(Continued)

**OTHER PUBLICATIONS**

Web.archive.org: Logic Micro Tower. Internet archived date of Sep. 19, 2020. Retrieved from the internet at <web.archive.org/web/20200919153730/https://www.hermanmiller.com/products/accessories/power-access/logic-micro-tower/>, Nov. 19, 2020. 1 page. (Year: 2020).\*

*Primary Examiner* — Christy Nemeth

(74) *Attorney, Agent, or Firm* — Michael Best & Friedrich LLP

(57) **CLAIM**

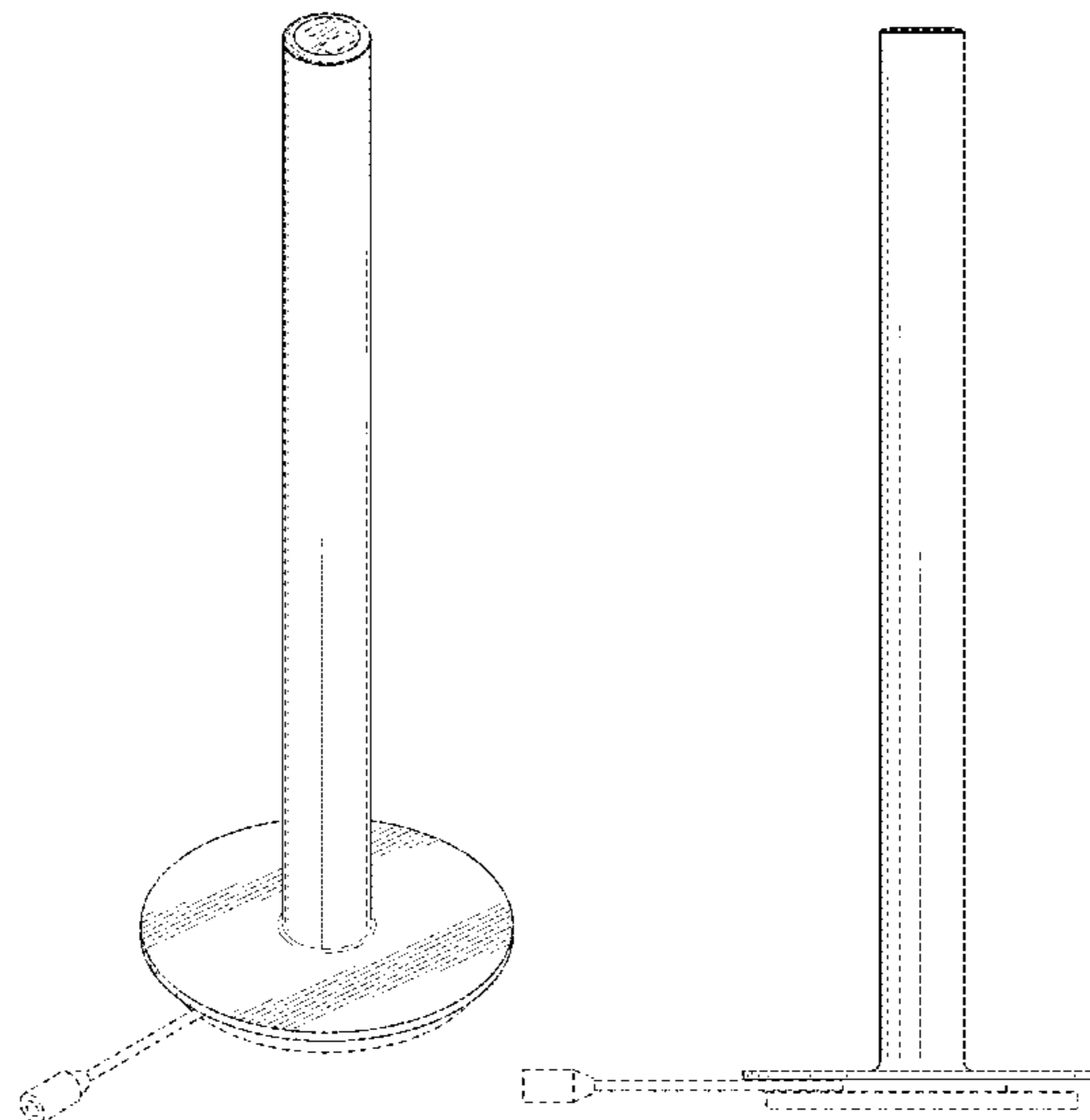
I claim the ornamental design for a power supply tower, as shown and described.

**DESCRIPTION**

FIG. 1 is a perspective view of a power supply tower;  
FIG. 2 is a first side view thereof;  
FIG. 3 is a second side view thereof;  
FIG. 4 is a third side view thereof;  
FIG. 5 is a fourth side view thereof;  
FIG. 6 is a top view thereof; and,  
FIG. 7 is a bottom view thereof.

The broken lines in the drawings are for the purpose of illustrating portions of the power supply tower that form no part of the claimed design.

**1 Claim, 5 Drawing Sheets**



(56)

**References Cited**

U.S. PATENT DOCUMENTS

2005/0189384 A1\* 9/2005 Smith ..... A41D 19/043  
223/111  
2015/0318731 A1\* 11/2015 Rakoczy ..... H02J 7/0044  
320/108  
2018/0175655 A1\* 6/2018 Liu ..... H02J 7/025  
2018/0191113 A1\* 7/2018 Byrne ..... H02J 7/00

\* cited by examiner

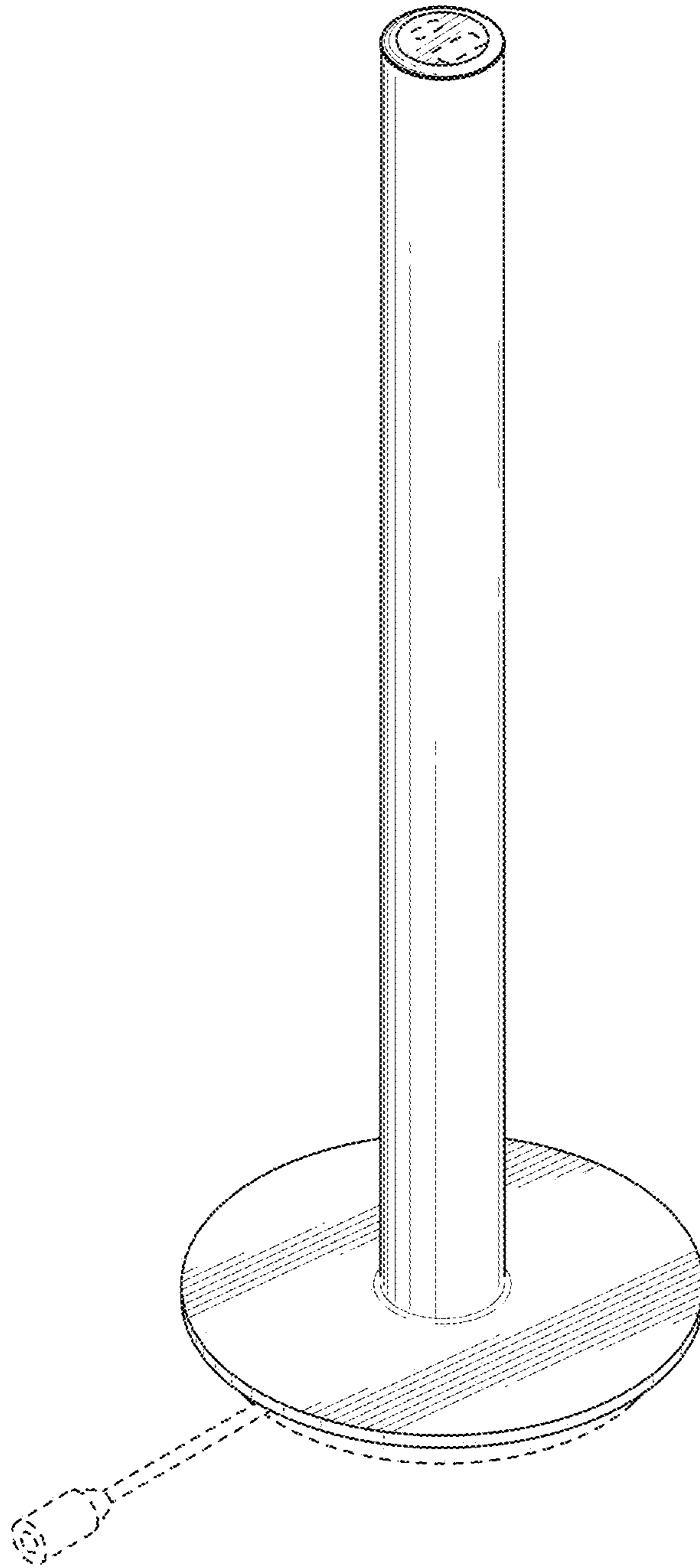


FIG. 1

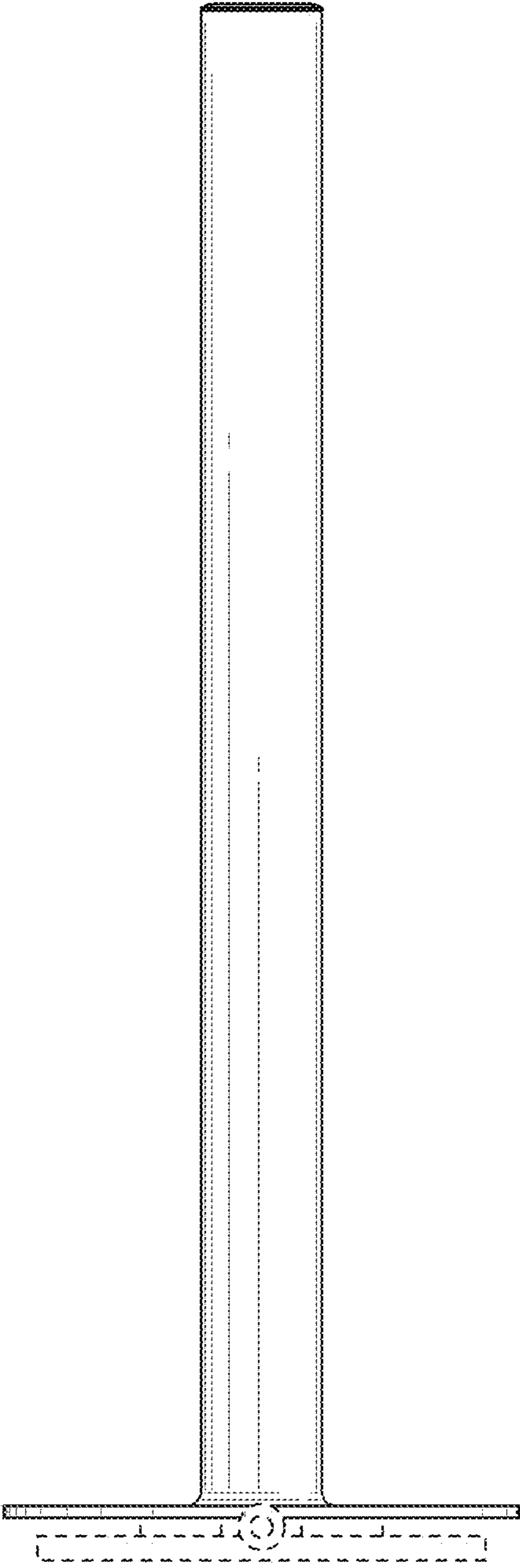


FIG. 2

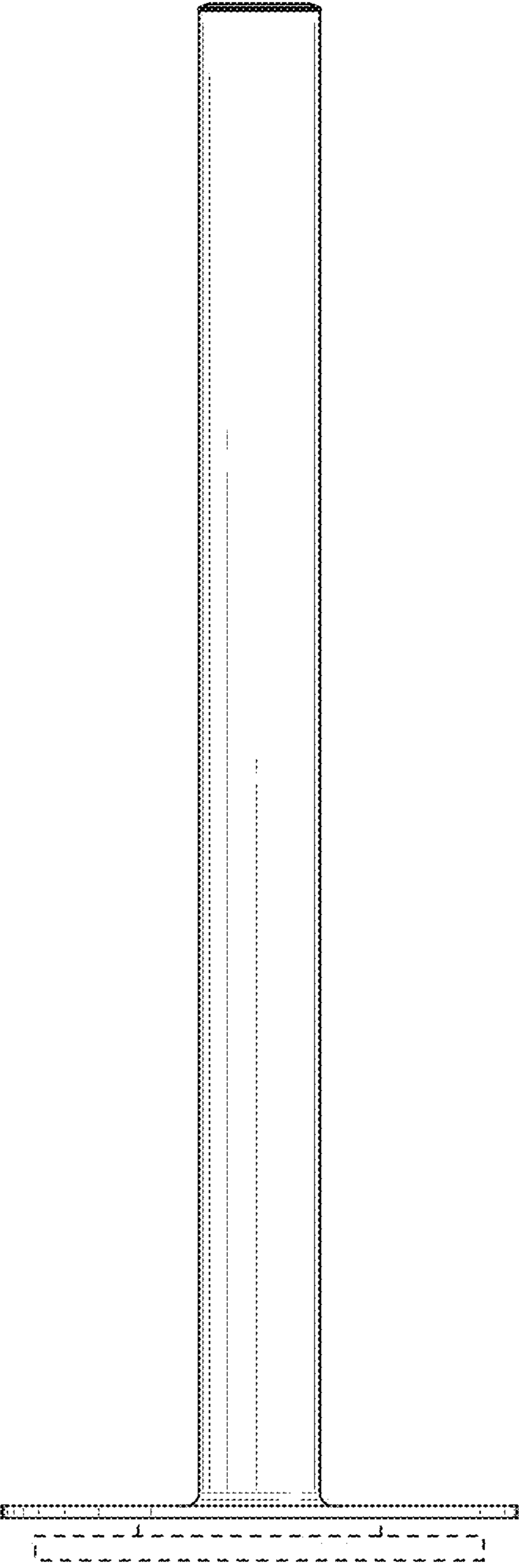


FIG. 3

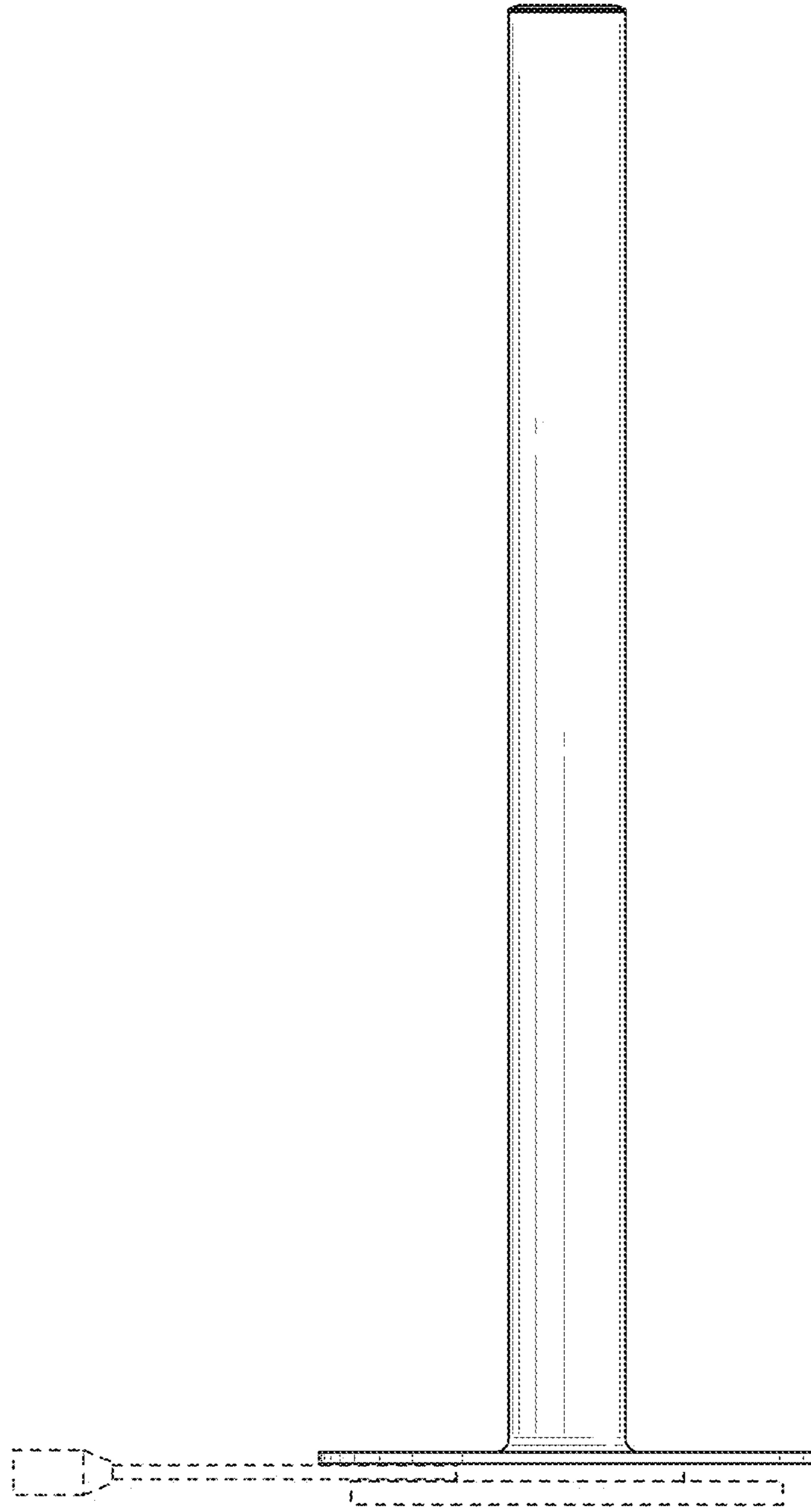


FIG. 4

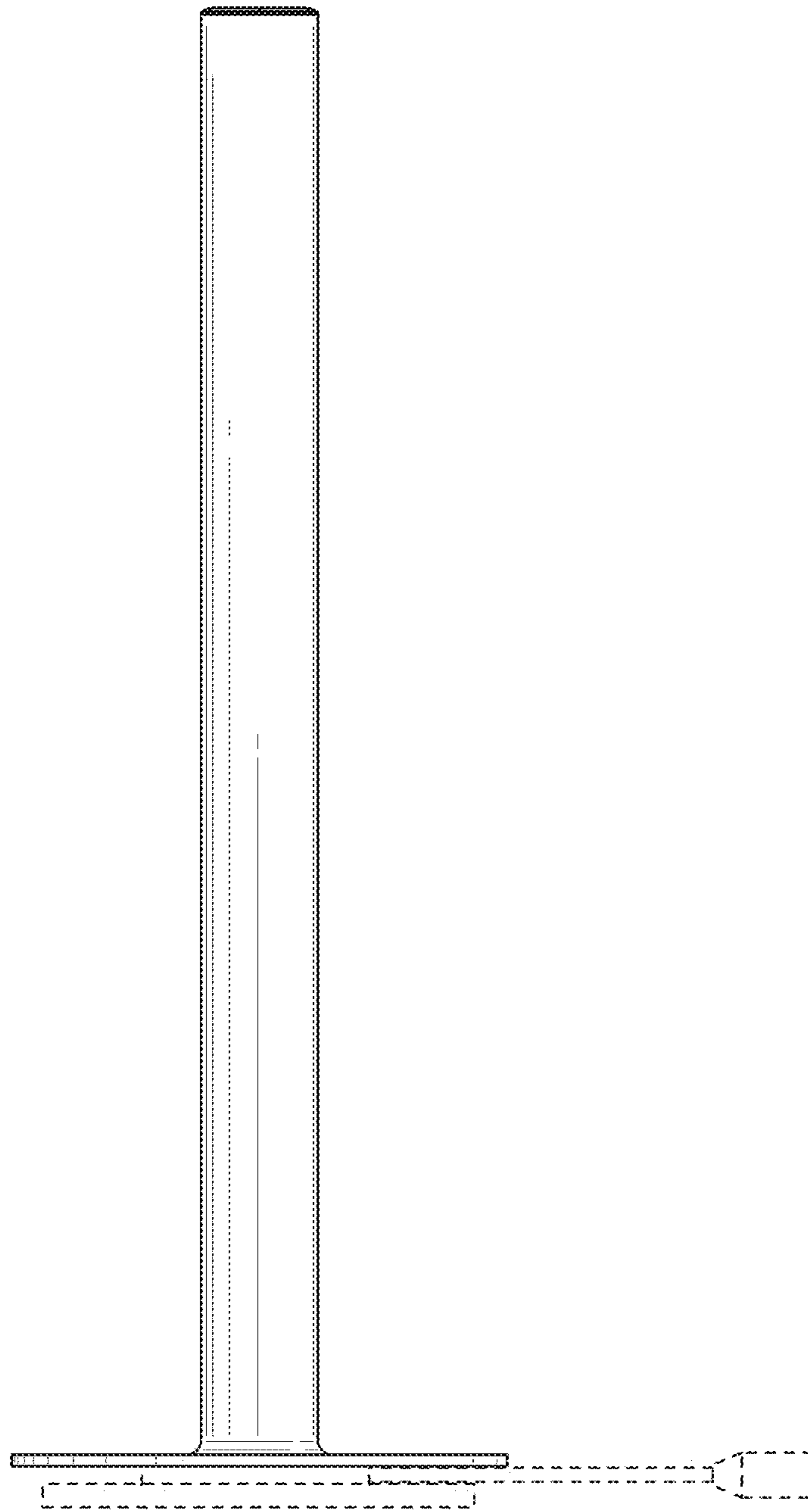


FIG. 5

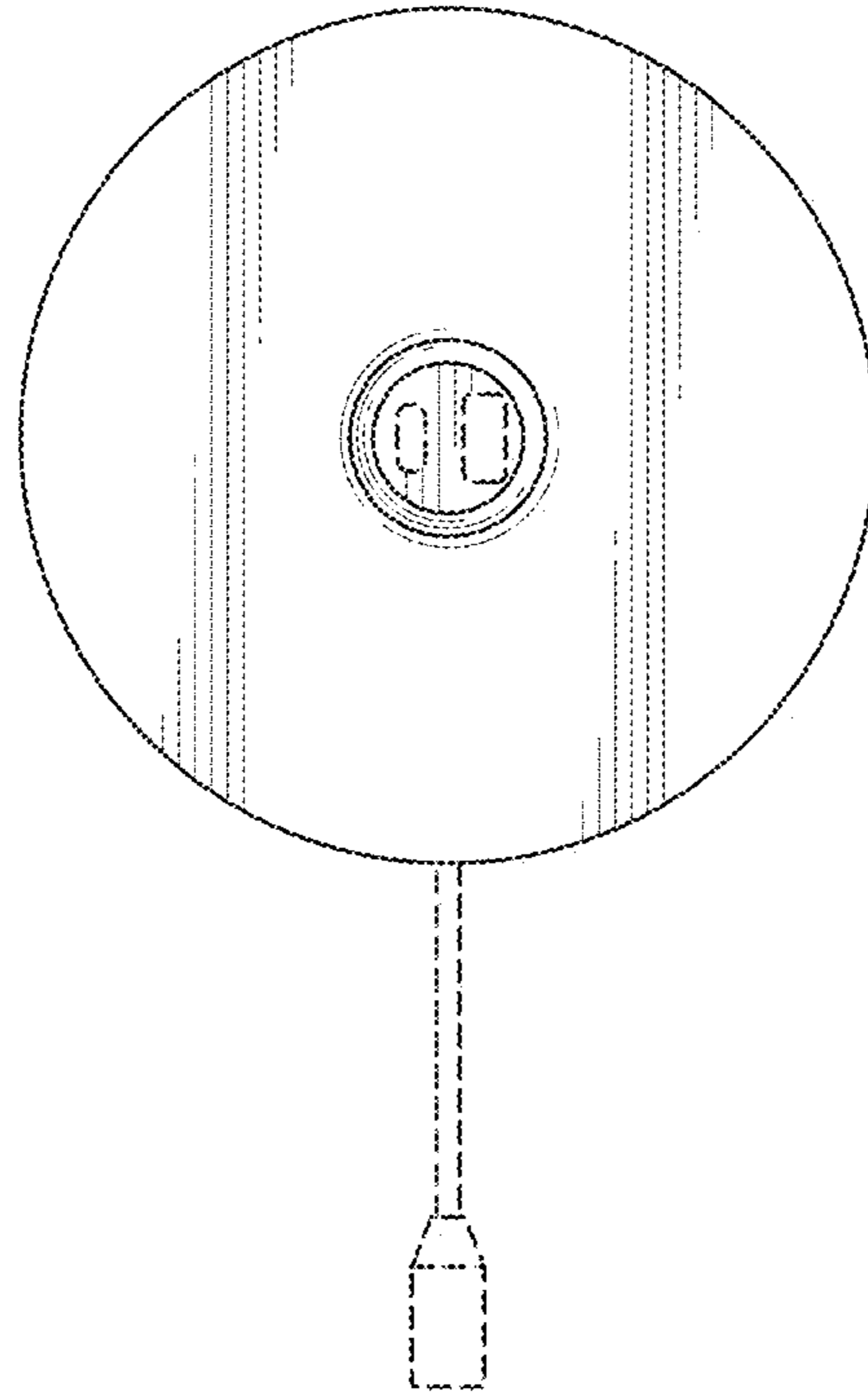


FIG. 6

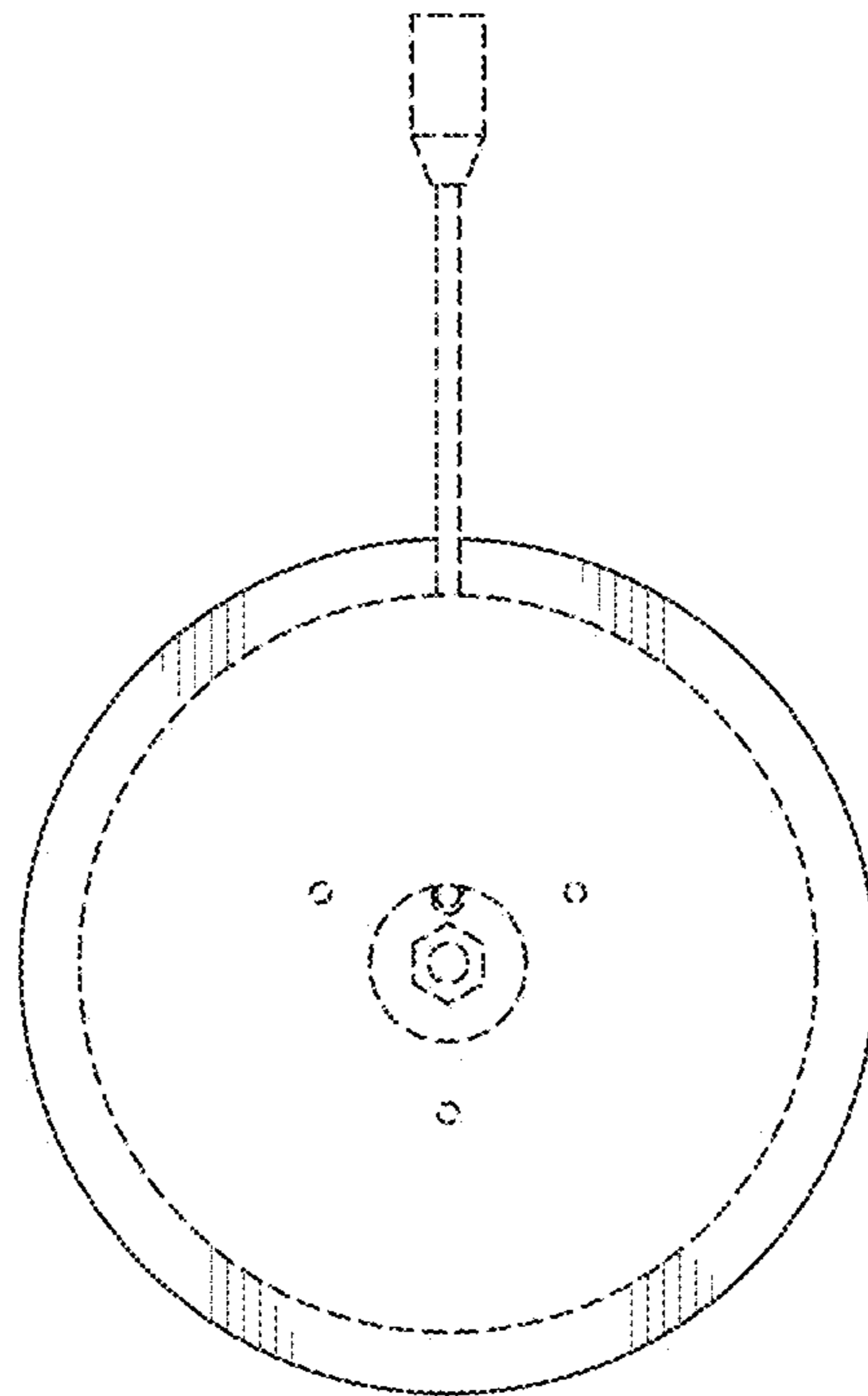


FIG. 7