



US00D922951S

(12) **United States Design Patent** (10) **Patent No.:** **US D922,951 S**  
**Biggers et al.** (45) **Date of Patent:** **\*\* Jun. 22, 2021**

(54) **FLANGE MOUNTED BLIND-MATE LINE REPLACEMENT UNIT FORM FACTOR**

D540,743 S \* 4/2007 Cerny ..... D13/110  
D683,706 S \* 6/2013 Kangas ..... D13/159  
D705,727 S \* 5/2014 Hensel ..... D13/110  
D739,350 S \* 9/2015 Kuwahara ..... D13/118  
9,450,363 B2 9/2016 Ghosh et al.  
D771,577 S \* 11/2016 Lin ..... D13/177  
D831,569 S \* 10/2018 Simoni ..... D13/110

(71) Applicant: **Rockwell Collins, Inc.**, Cedar Rapids, IA (US)

(72) Inventors: **Christopher M. Biggers**, North Liberty, IA (US); **Corey R. Applebee**, Marion, IA (US)

(73) Assignee: **Rockwell Collins, Inc.**, Cedar Rapids, IA (US)

(\*\*) Term: **15 Years**

(21) Appl. No.: **29/762,439**

(22) Filed: **Dec. 16, 2020**

**Related U.S. Application Data**

(62) Division of application No. 29/670,694, filed on Nov. 19, 2018, now Pat. No. Des. 911,281.

(51) **LOC (13) Cl.** ..... **13-02**

(52) **U.S. Cl.**  
USPC ..... **D13/110**

(58) **Field of Classification Search**  
USPC ..... D13/101, 110, 118, 119, 123, 133, 152, D13/154, 156, 184, 199; D14/308, 309, D14/313  
CPC ..... H02M 1/10; H01M 10/46; H02J 13/0096; H02J 7/00; H02J 7/0042; H02J 7/0047; H02J 9/00; H01R 31/06; H05K 13/0023; H05K 7/026; H05K 7/1425; Y10T 29/49128

See application file for complete search history.

(56) **References Cited**

**U.S. PATENT DOCUMENTS**

D365,327 S \* 12/1995 Reed ..... D13/147  
D491,525 S \* 6/2004 Hwang ..... D13/123

(Continued)

*Primary Examiner* — Derrick E Holland

(74) *Attorney, Agent, or Firm* — Suiter Swantz pc llo

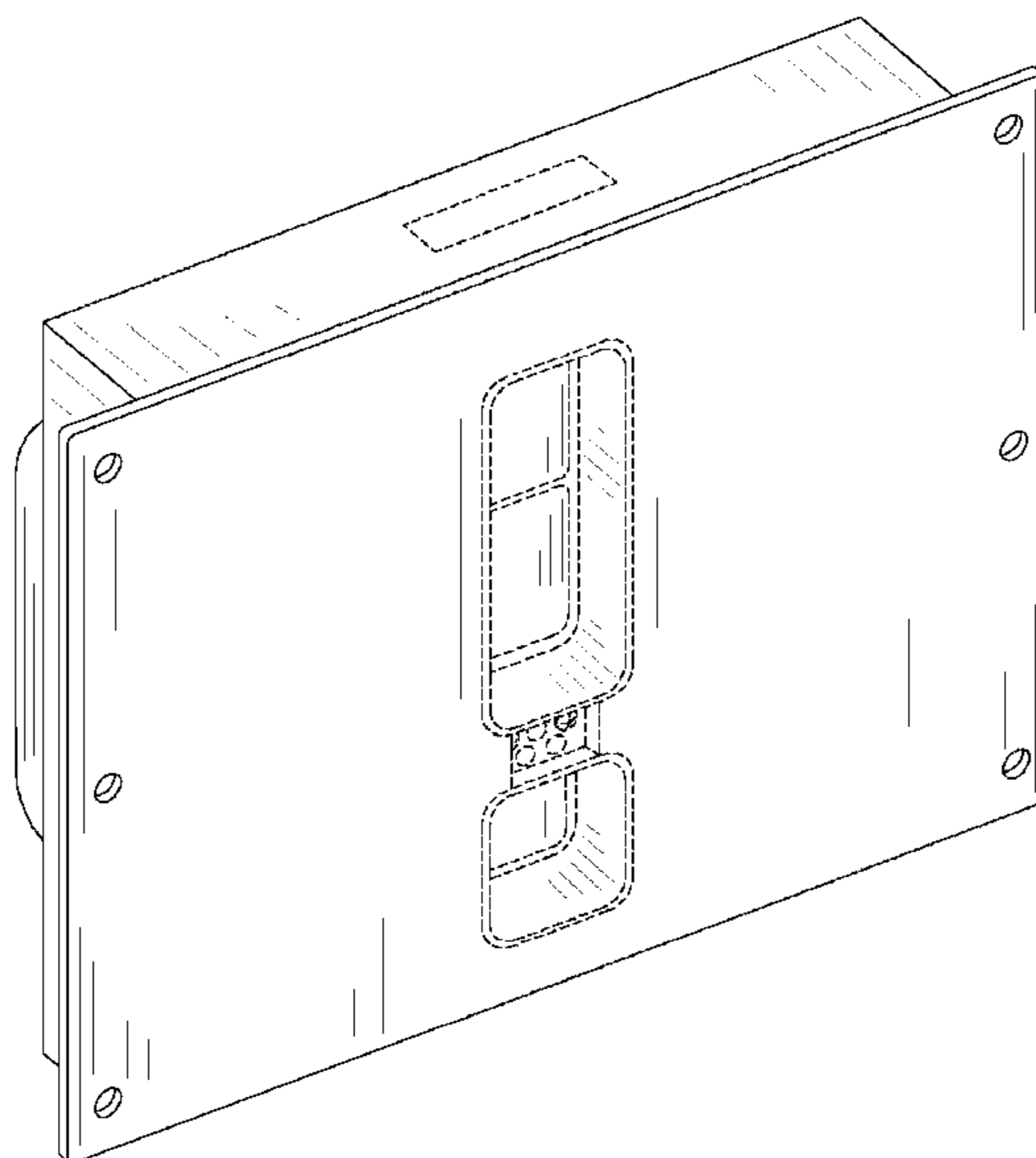
(57) **CLAIM**

The ornamental design for a flange-mounted blind-mate line replacement unit form factor, as shown and described.

**DESCRIPTION**

FIG. 1 is a back perspective view of a flange-mounted blind-mate line replacement unit form factor showing the claimed design thereof;  
FIG. 2 is a top plan view of the flange-mounted blind-mate line replacement unit form factor of FIG. 1;  
FIG. 3 is a front elevational view of the flange-mounted blind-mate line replacement unit form factor of FIG. 1;  
FIG. 4 is a right side elevational view of the flange-mounted blind-mate line replacement unit form factor of FIG. 1;  
FIG. 5 is a bottom plan view of the flange-mounted blind-mate line replacement unit form factor of FIG. 1;  
FIG. 6 is a left side elevational view of the flange-mounted blind-mate line replacement unit form factor of FIG. 1;  
FIG. 7 is a rear elevational view of the flange-mounted blind-mate line replacement unit form factor of FIG. 1; and,  
FIG. 8 is a front perspective view of the flange-mounted blind-mate line replacement unit form factor of FIG. 1.  
The broken lines shown depict the portions of the flange-mounted blind-mate line replacement unit form factor that form no part of the claimed design.

**1 Claim, 4 Drawing Sheets**



(56)

**References Cited**

U.S. PATENT DOCUMENTS

D906,260 S \* 12/2020 Maier ..... D13/158  
D909,970 S \* 2/2021 Jokinen ..... D13/110  
2009/0250236 A1\* 10/2009 Corwin ..... H01R 31/06  
174/59  
2014/0134886 A1 5/2014 Makino et al.  
2015/0062832 A1\* 3/2015 Ismayilov ..... H05K 13/00  
361/730  
2015/0070866 A1\* 3/2015 Li ..... H05K 7/1409  
361/797  
2015/0122349 A1 5/2015 Johnson

\* cited by examiner

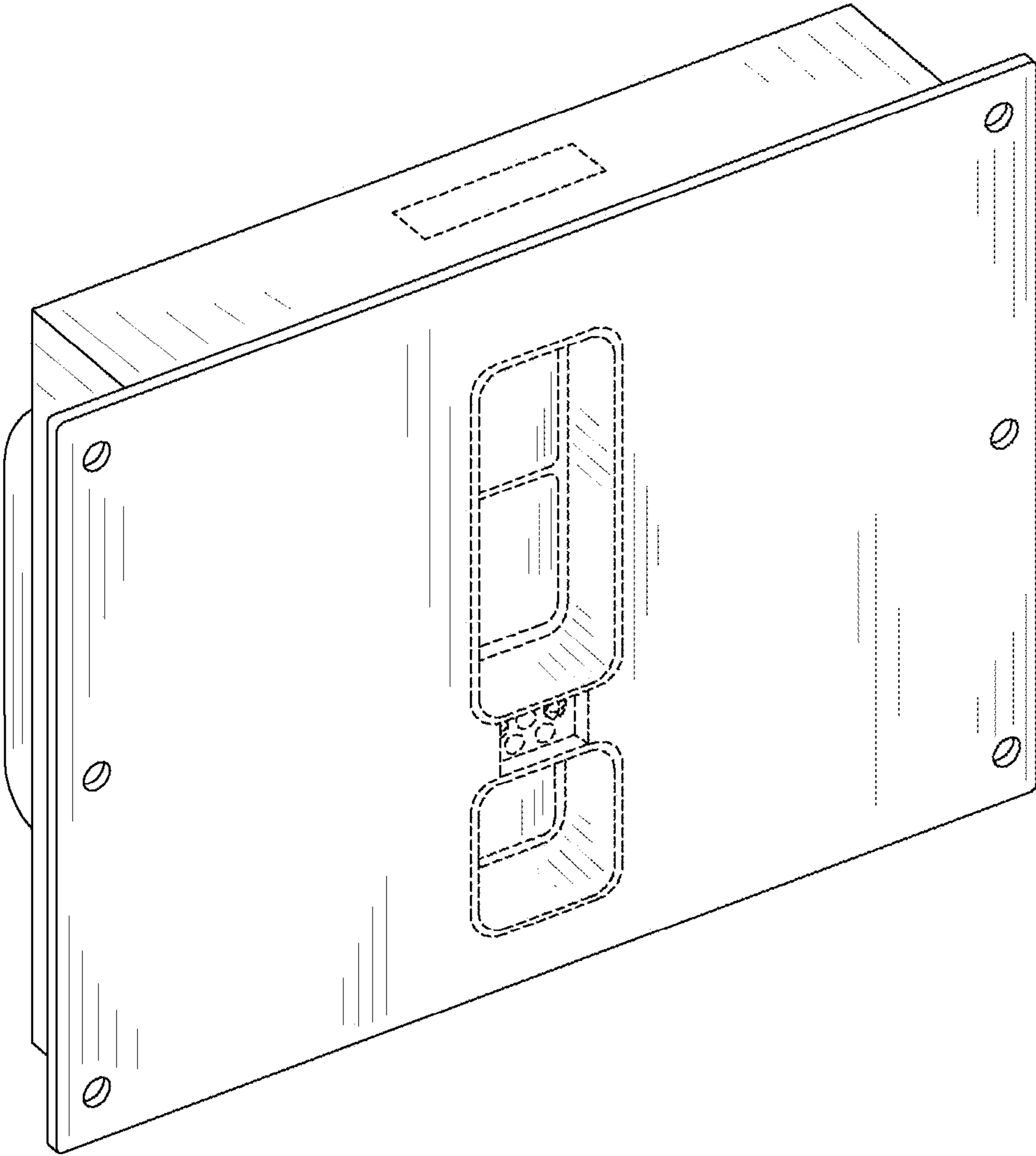


FIG. 1

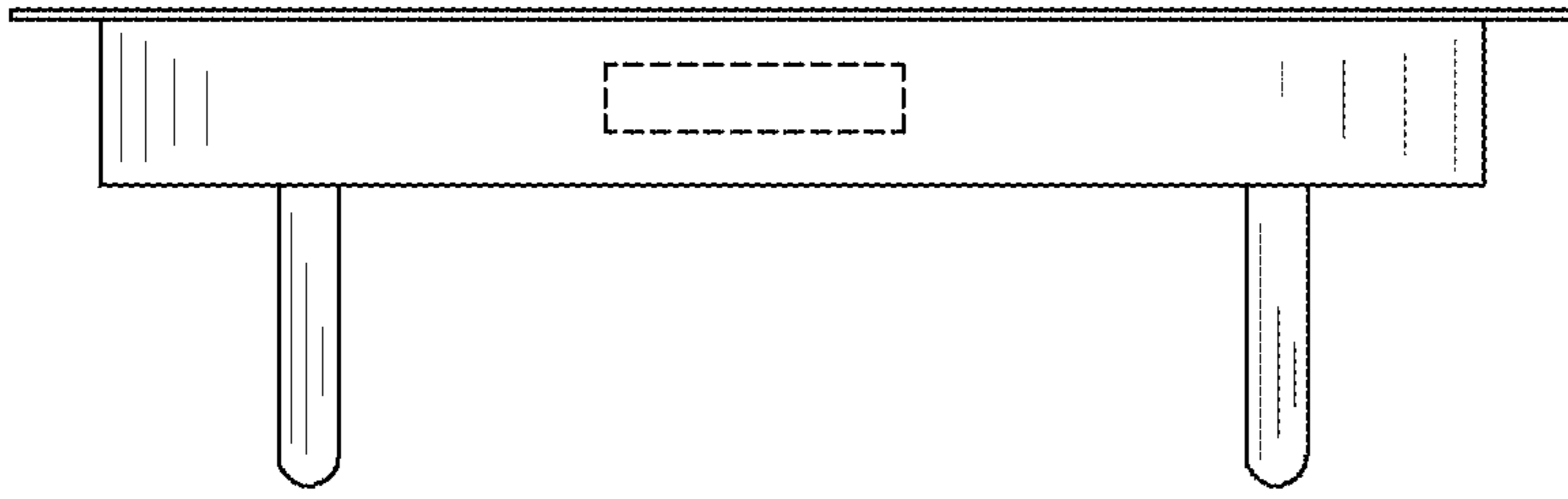


FIG. 2

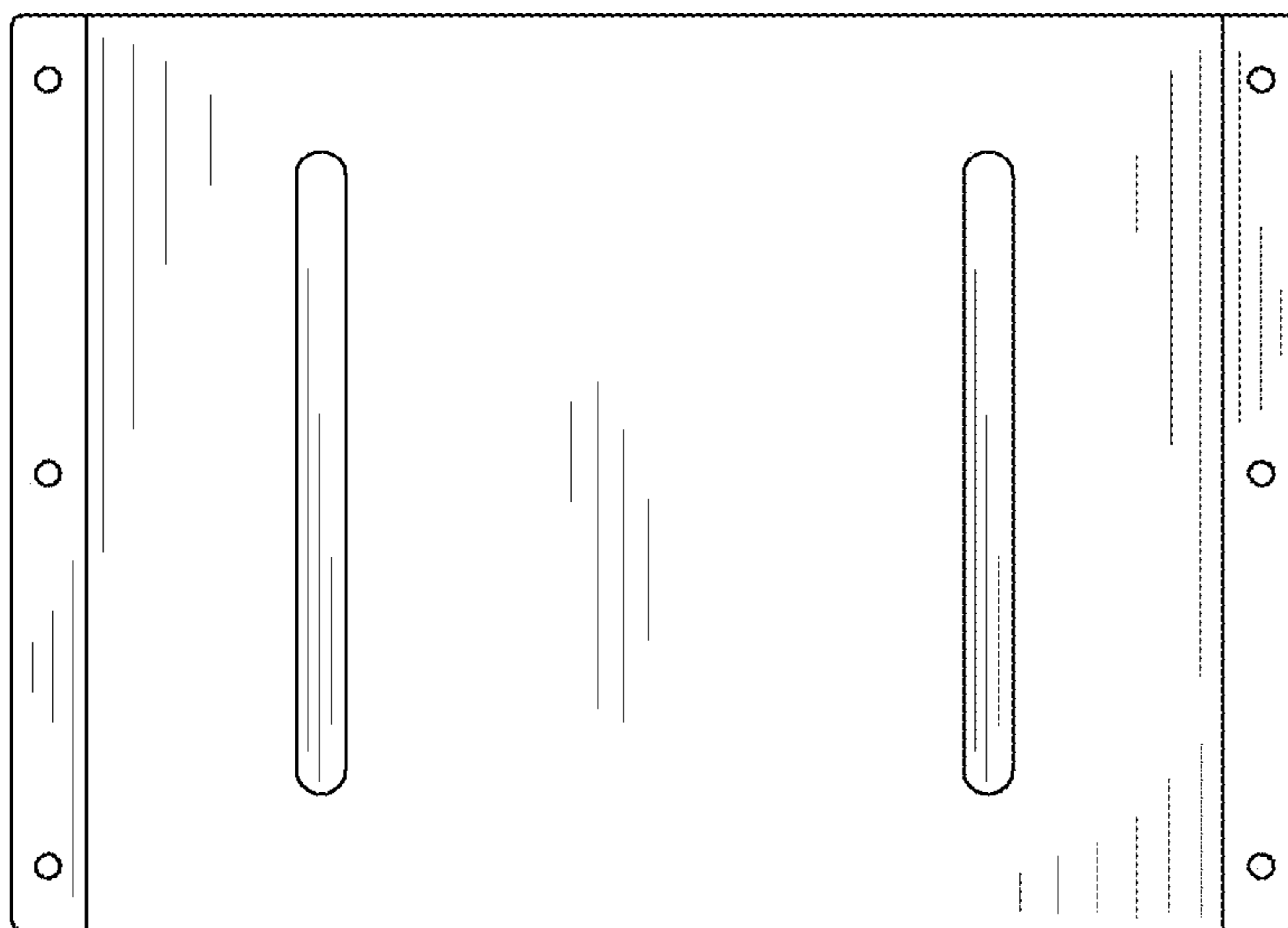


FIG. 3

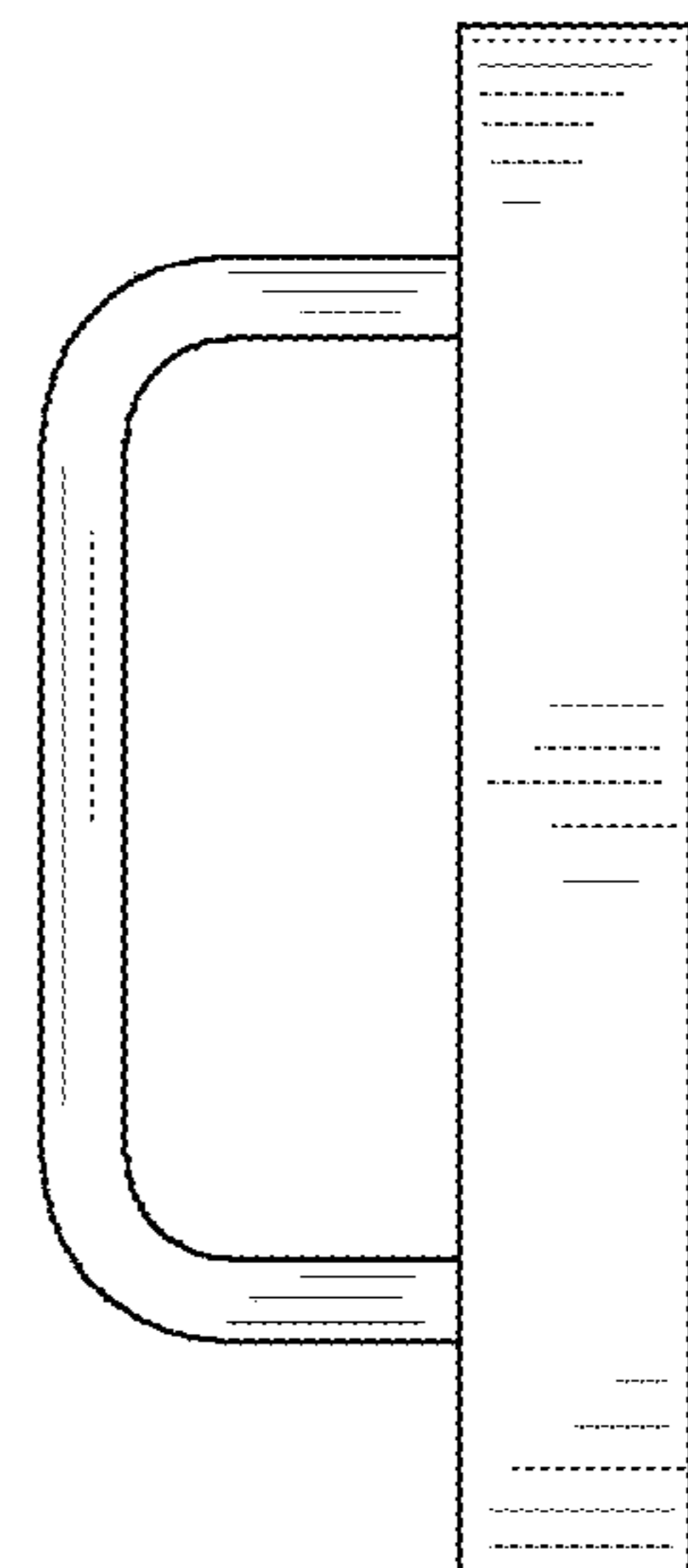


FIG. 4



FIG. 5

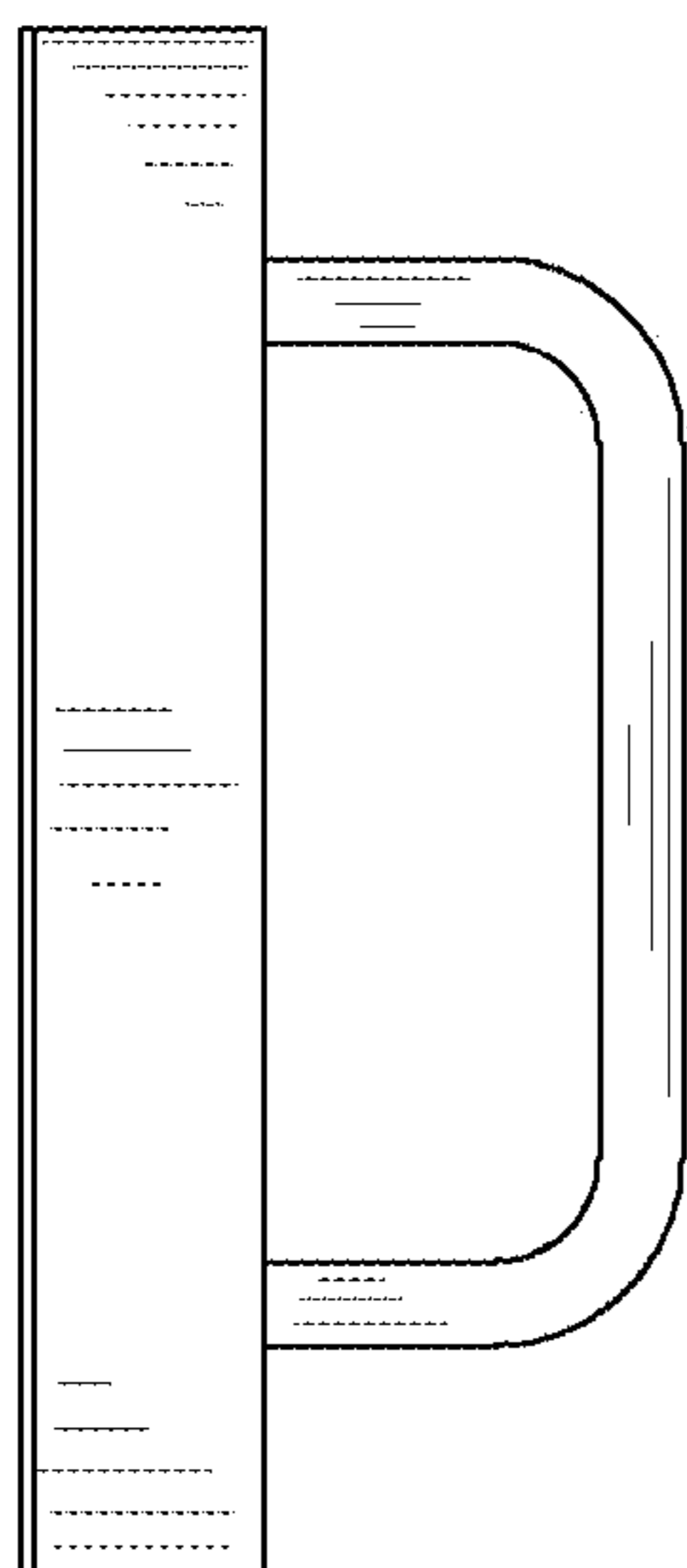


FIG. 6

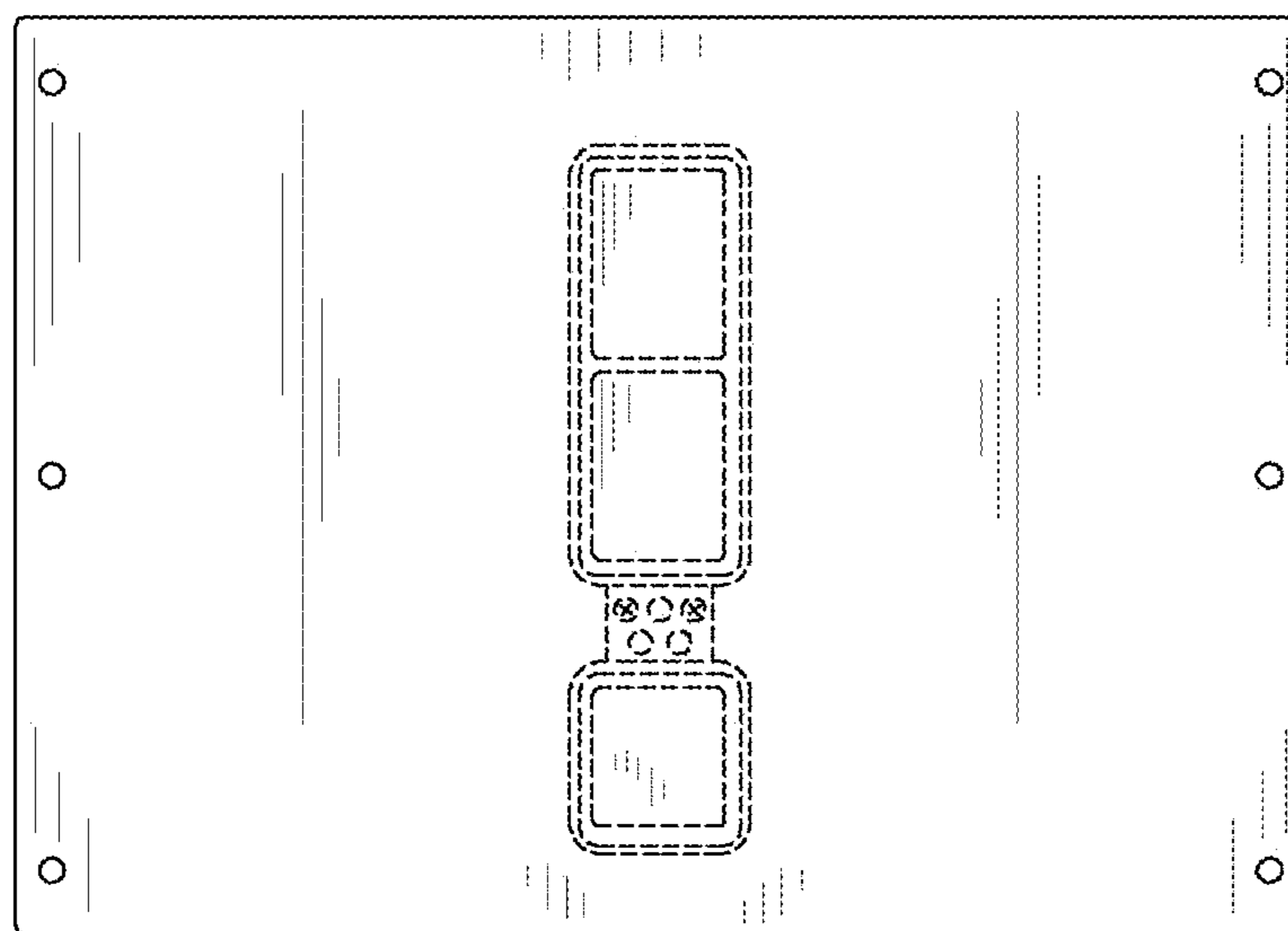


FIG. 7

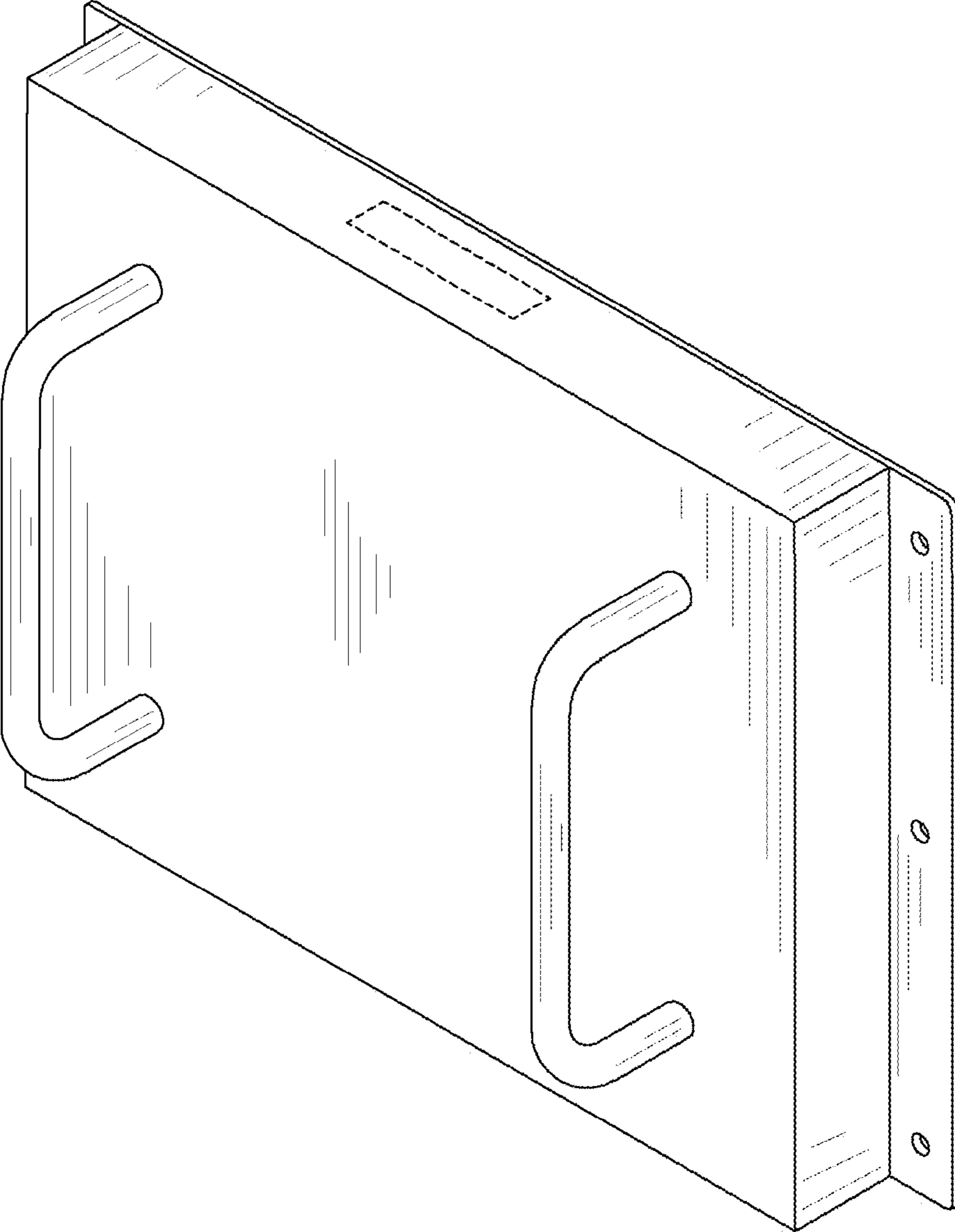


FIG. 8