



US00D922950S

(12) **United States Design Patent**  
**Tachibana et al.**

(10) **Patent No.:** **US D922,950 S**  
(45) **Date of Patent:** **\*\* Jun. 22, 2021**

(54) **INVERTER**

(71) Applicant: **Mitsubishi Electric Corporation,**  
Tokyo (JP)

(72) Inventors: **Atsuki Tachibana,** Tokyo (JP); **Tetsuo Tanaka,** Tokyo (JP); **Hidenori Suzuki,** Tokyo (JP); **Yukihiro Maenosono,** Tokyo (JP)

(73) Assignee: **Mitsubishi Electric Corporation,**  
Tokyo (JP)

(\*\*) Term: **15 Years**

(21) Appl. No.: **29/722,863**

(22) Filed: **Feb. 3, 2020**

(30) **Foreign Application Priority Data**

Sep. 9, 2019 (JP) ..... 2019-020093

(51) **LOC (13) Cl.** ..... **13-02**

(52) **U.S. Cl.**  
USPC ..... **D13/110**

(58) **Field of Classification Search**  
USPC ..... D13/110, 101, 107, 108, 118, 123, 162,  
D13/164, 184, 199  
CPC ..... H02M 7/00; H02M 7/02; H02M 7/003;  
H05K 5/00; H05K 5/0017; H05K 7/00;  
H05K 7/1427; H05K 7/20918  
See application file for complete search history.

(56) **References Cited**

**U.S. PATENT DOCUMENTS**

4,620,263 A \* 10/1986 Ito ..... H05K 7/20918  
361/690  
5,497,289 A \* 3/1996 Sugishima ..... H02M 7/003  
318/558

D372,017 S \* 7/1996 Suematsu ..... D13/110  
D455,399 S \* 4/2002 Imamura ..... D13/110  
6,521,848 B2 \* 2/2003 Shibata ..... H01H 9/26  
200/5 R  
D494,132 S \* 8/2004 Song ..... D13/110  
D527,611 S \* 9/2006 Sato ..... D8/307  
D558,141 S \* 12/2007 Kwon, II ..... D13/110  
D569,795 S \* 5/2008 Higuchi ..... D13/110  
D627,725 S \* 11/2010 Gebert ..... D13/118  
D675,565 S \* 2/2013 Choi ..... D13/110  
D684,533 S \* 6/2013 Nakahira ..... D13/110  
D707,176 S \* 6/2014 Choi ..... D13/110  
D745,847 S \* 12/2015 Ho ..... D13/110

\* cited by examiner

*Primary Examiner* — Derrick E Holland

(74) *Attorney, Agent, or Firm* — Studebaker & Brackett  
PC

(57) **CLAIM**

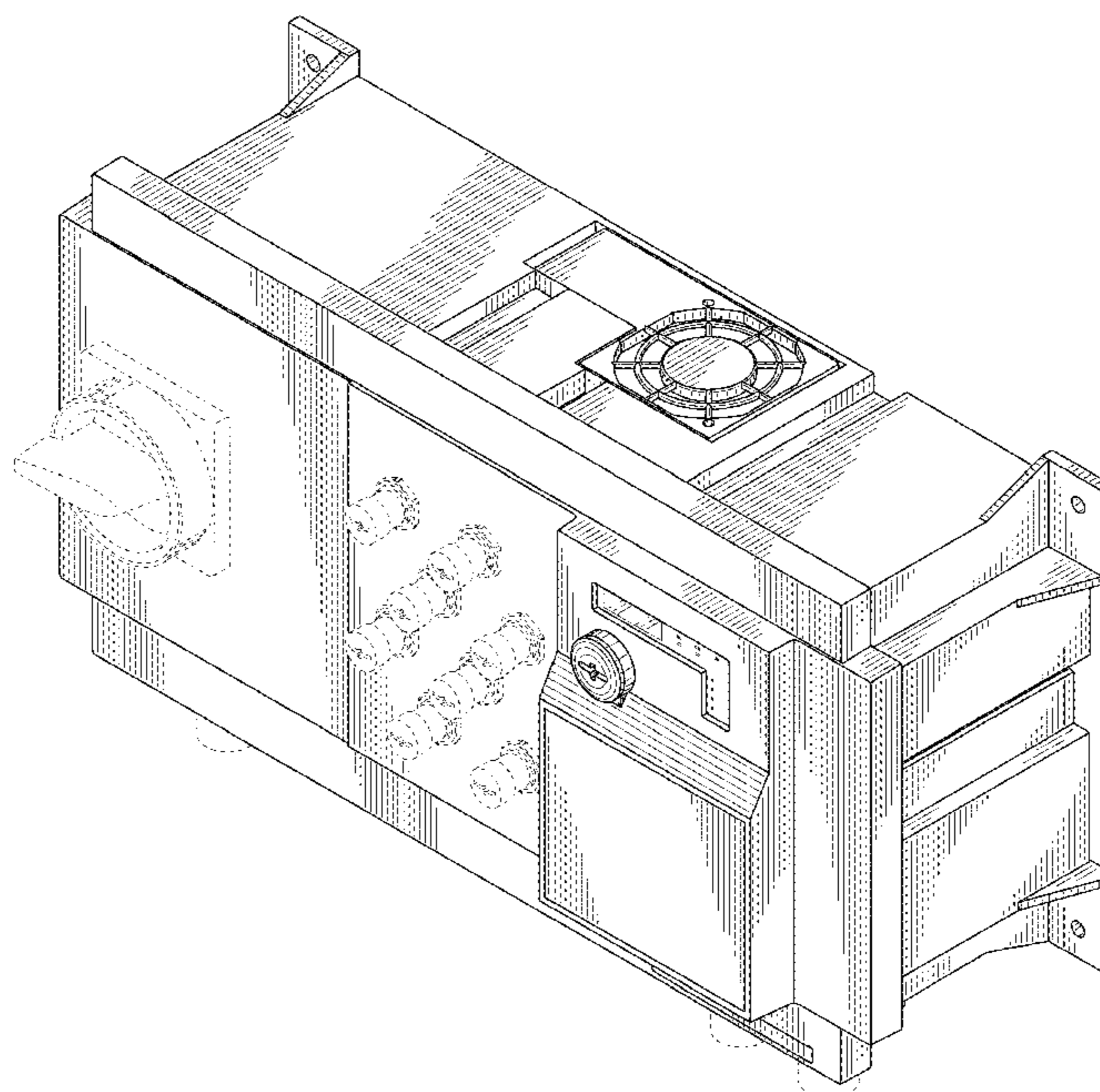
The ornamental design for an inverter, as shown and described.

**DESCRIPTION**

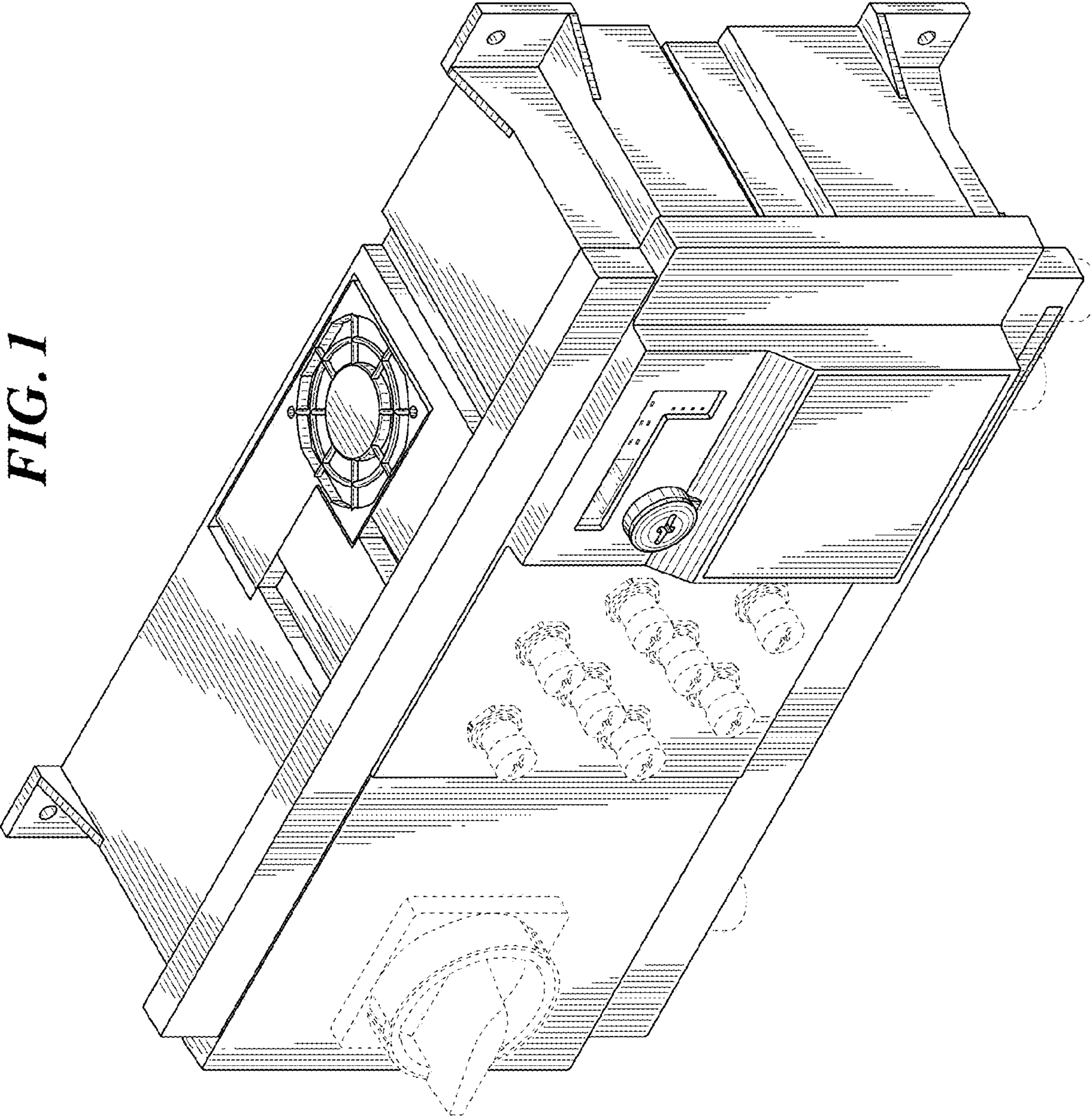
FIG. 1 is a front perspective view of the front, right, and top sides of an inverter showing our new design;  
FIG. 2 is a rear perspective view of the rear, left, and bottom sides thereof;  
FIG. 3 is a front view thereof;  
FIG. 4 is a rear view thereof;  
FIG. 5 is a top plan view thereof;  
FIG. 6 is a bottom plan view thereof;  
FIG. 7 is a right side view thereof; and,  
FIG. 8 is a left side view thereof.

The broken lines shown represent portions of the inverter and form no part of the claimed design.

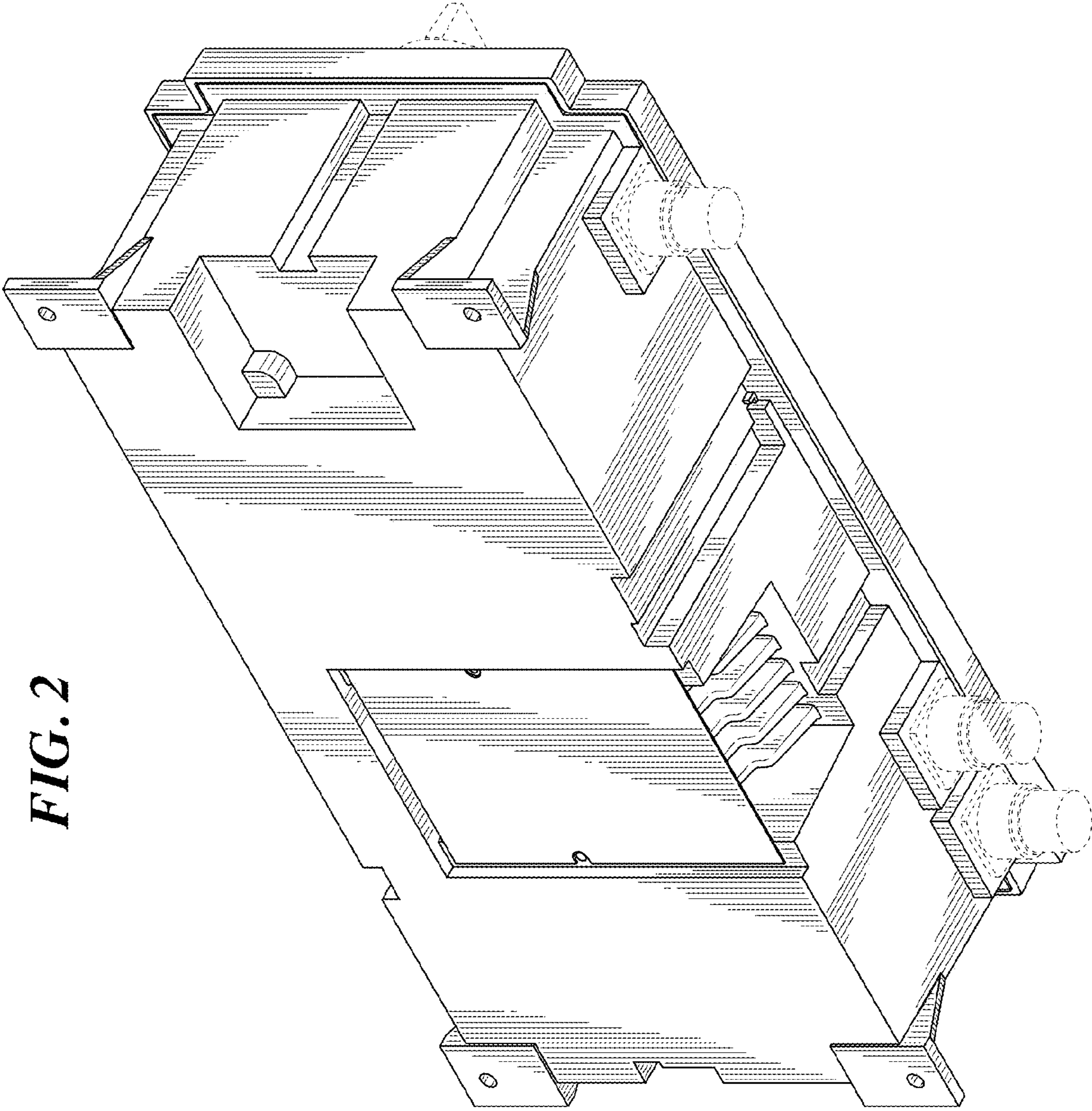
**1 Claim, 8 Drawing Sheets**



**FIG. 1**

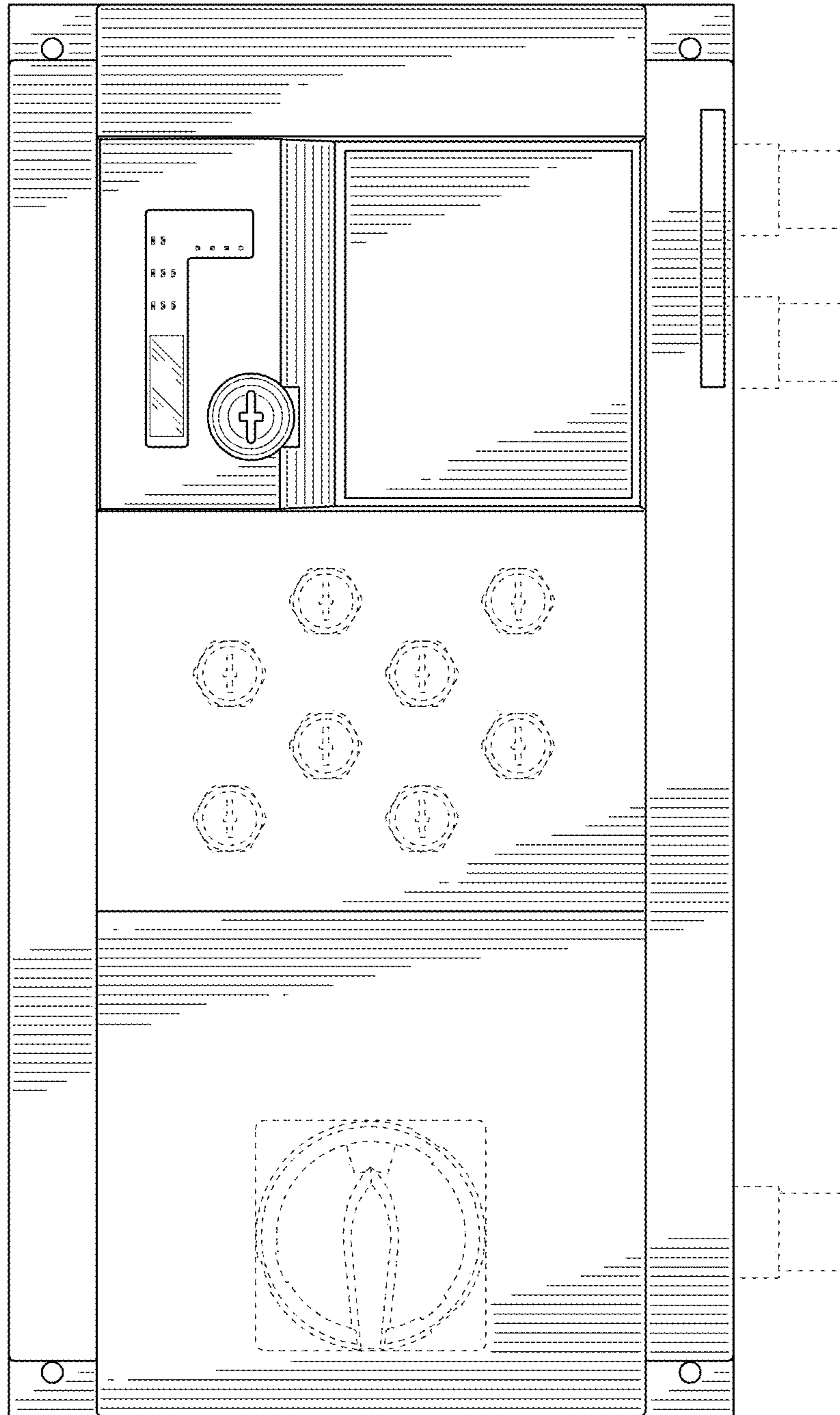




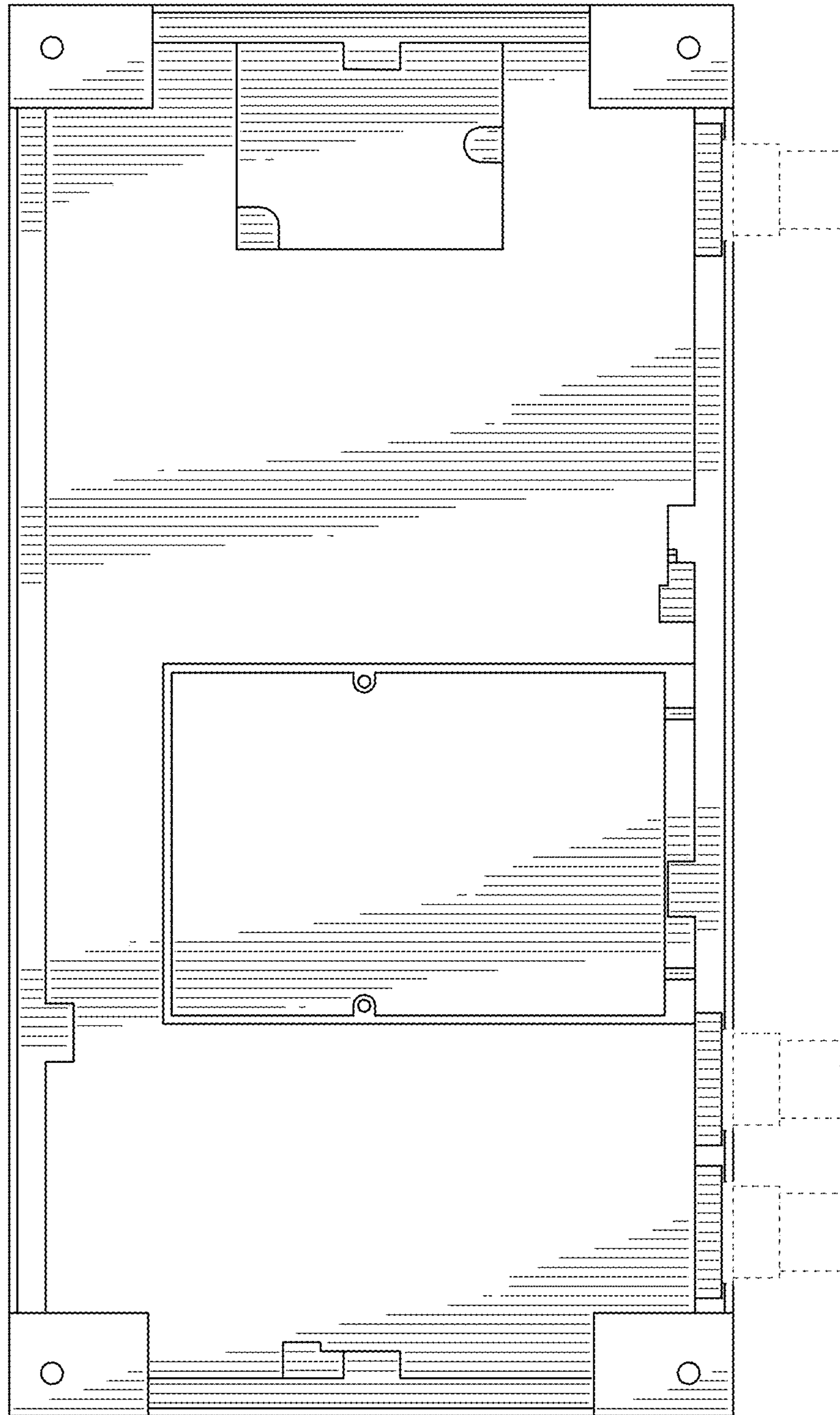


**FIG. 2**

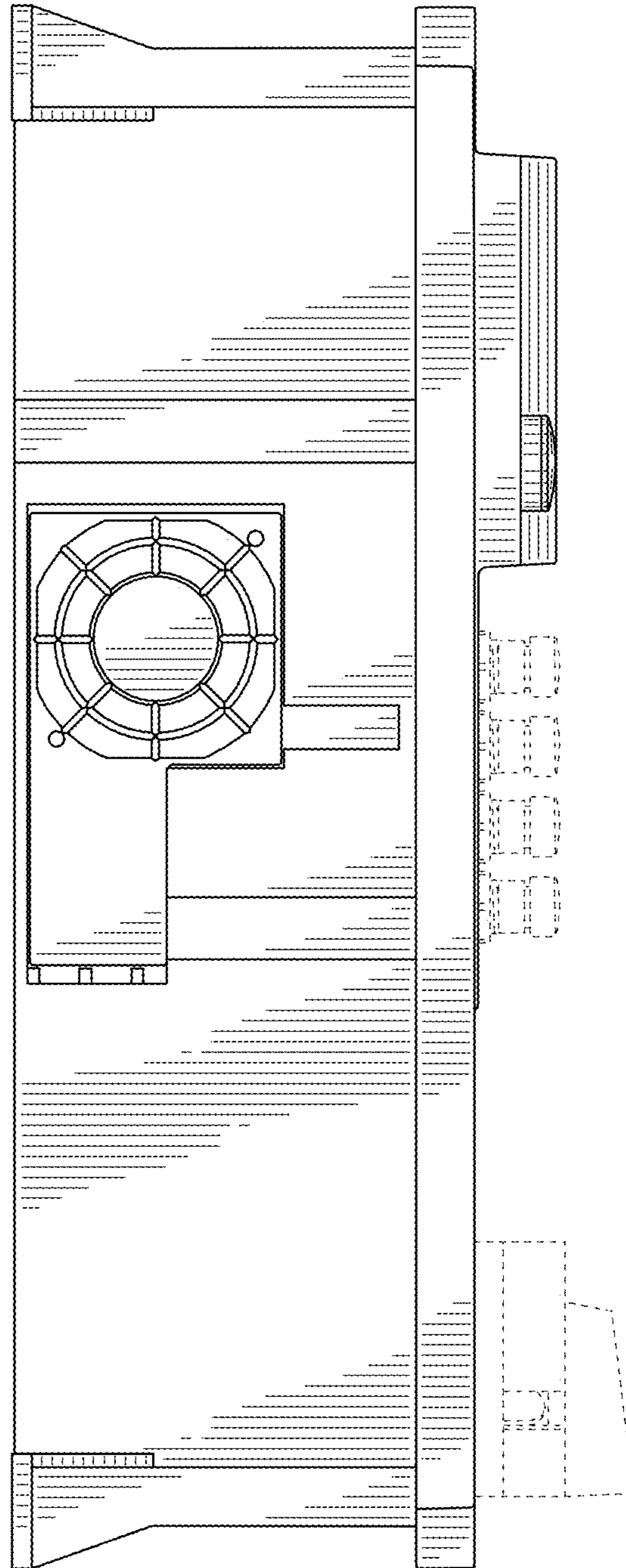
**FIG. 3**



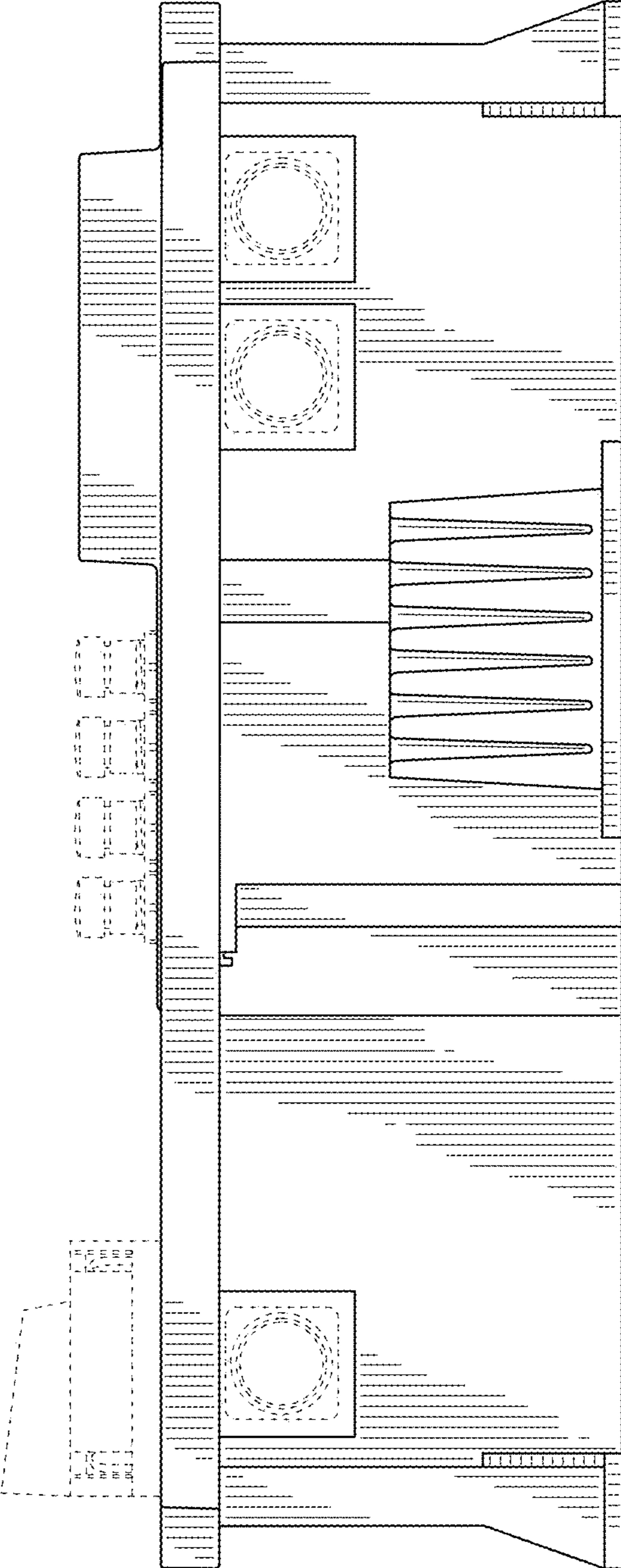
**FIG. 4**



**FIG. 5**

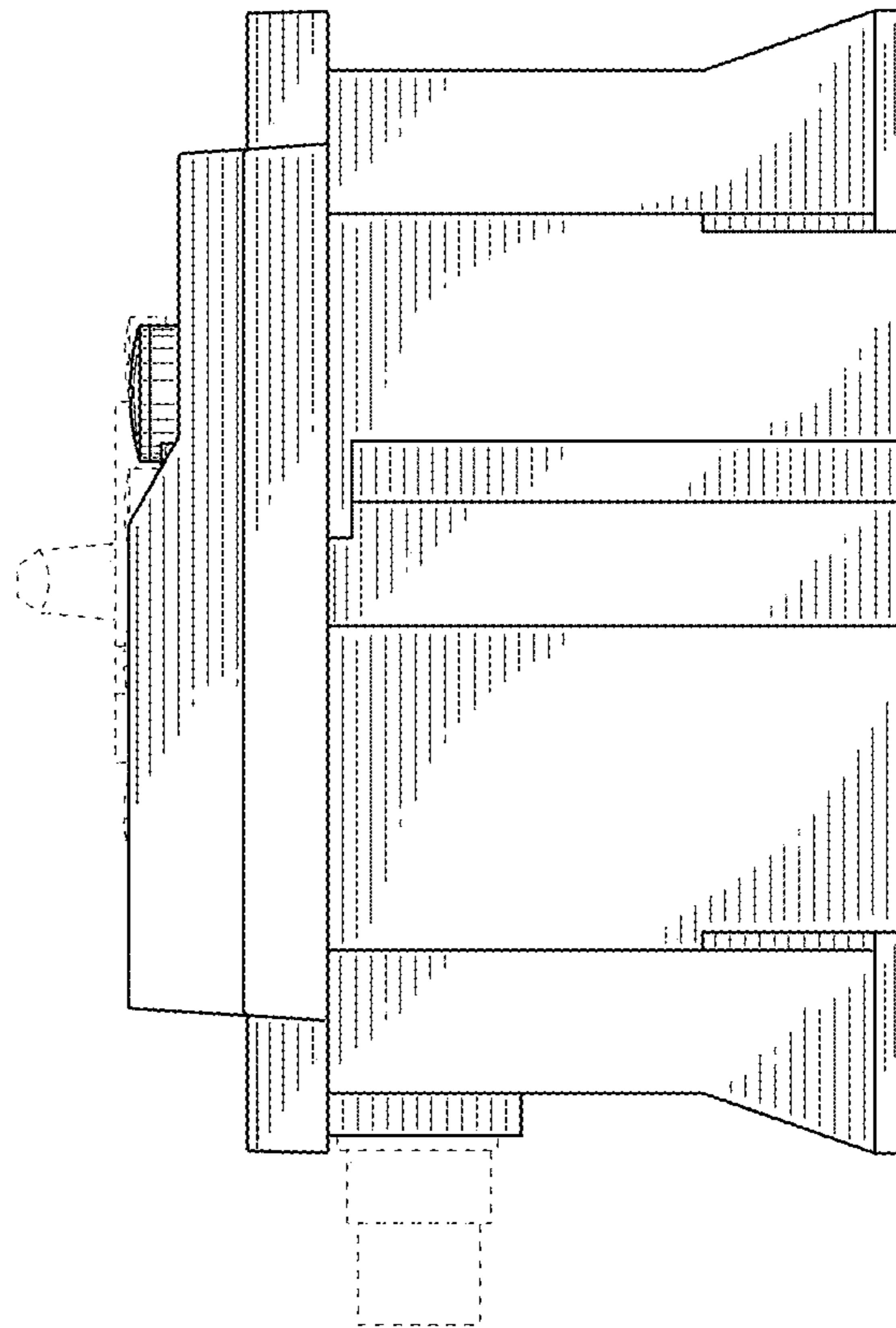


**FIG. 6**





**FIG. 7**





**FIG. 8**

