

US00D922948S

(12) **United States Design Patent**
Wang et al.

(10) **Patent No.:** **US D922,948 S**

(45) **Date of Patent:** **** Jun. 22, 2021**

(54) **WIRELESS CHARGER**

(71) Applicant: **SHENZHEN FUTURE CHARGER TECHNOLOGY CO., LTD**, Shenzhen (CN)

(72) Inventors: **Wenzhong Wang**, Shenzhen (CN);
Yonghui Wei, Shenzhen (CN)

(**) Term: **15 Years**

(21) Appl. No.: **29/728,168**

(22) Filed: **Mar. 17, 2020**

(30) **Foreign Application Priority Data**

Mar. 9, 2020 (CN) 202030075218.X

(51) **LOC (13) Cl.** **13-02**

(52) **U.S. Cl.**
USPC **D13/108**

(58) **Field of Classification Search**
USPC D13/107-110, 118, 119, 184, 199
CPC .. Y02E 60/12; H01R 13/6675; H01M 2/1022;
H01M 2/1055; H01M 10/44; H01M 10/46;
H01M 10/425; H02J 2001/008; H02J 3/32;
H02J 3/008; H02J 7/0027; H02J 7/0013;
H02J 7/0054; H02J 7/00; B60R 16/03
See application file for complete search history.

(56) **References Cited**

U.S. PATENT DOCUMENTS

D426,808 S *	6/2000	Hsiao	D13/107
D455,397 S *	4/2002	Weiner	D13/108
D516,023 S *	2/2006	Quinn	D13/108
D535,615 S *	1/2007	Iwai	D13/108
D551,617 S *	9/2007	Houghton	D13/108
D588,985 S *	3/2009	O'Hern	D13/107
D600,680 S *	9/2009	Mead	D13/108
D605,588 S *	12/2009	Nomi	D13/108

D606,491 S *	12/2009	Rosen	D13/108
D608,732 S *	1/2010	Hillard	D13/107
D621,347 S *	8/2010	Aulwes	D13/108
D630,579 S *	1/2011	Fahrendorff	D13/108
D637,155 S *	5/2011	Jeon	D13/108
D673,498 S *	1/2013	Colle	D13/108
D677,622 S *	3/2013	Cole	D13/108
D697,476 S *	1/2014	Jeong	D13/108
D707,624 S *	6/2014	Morrison	D13/108
D759,588 S *	6/2016	De Klein	D13/108
D781,784 S *	3/2017	Dingle	D13/108
D817,872 S *	5/2018	Oguchi	D13/107
D835,611 S *	12/2018	Yun	D14/224
D867,987 S *	11/2019	Mi	D13/108
D875,676 S *	2/2020	Segev	D13/108
D876,442 S *	2/2020	McCracken	H04R 5/04 D14/434
D878,085 S *	3/2020	Werner	D6/526
D880,419 S *	4/2020	Hernandez	D13/108
D890,090 S *	7/2020	Hernandez	D13/108

(Continued)

Primary Examiner — Christy Nemeth

(74) *Attorney, Agent, or Firm* — W&K IP

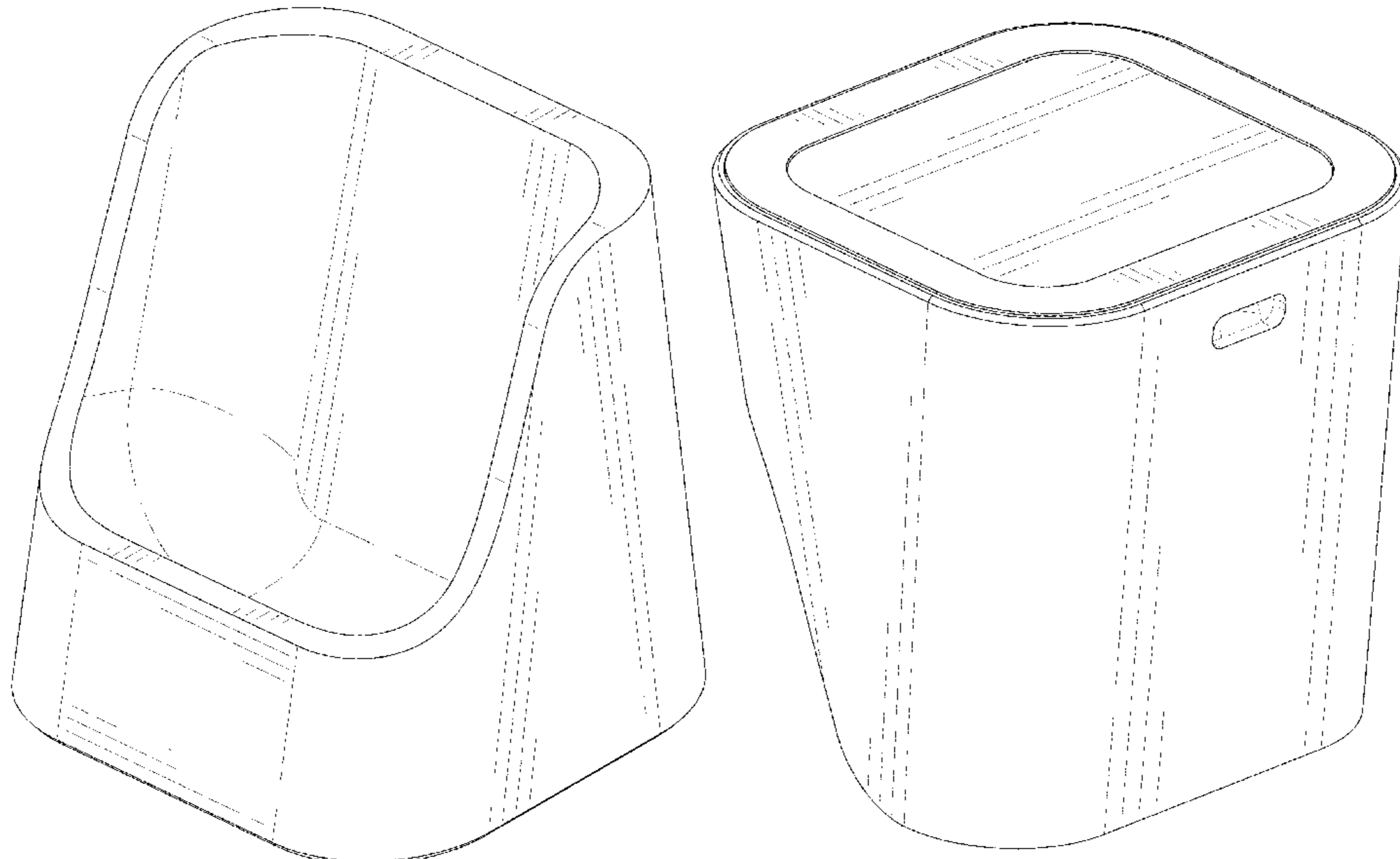
(57) **CLAIM**

The ornamental design for a wireless charger, as shown and described.

DESCRIPTION

FIG. 1 is a front and top perspective view of a wireless charger, showing our new design;
FIG. 2 is a rear and bottom perspective view thereof;
FIG. 3 is a front elevational view thereof;
FIG. 4 is a rear elevational view thereof;
FIG. 5 is a left side elevational view thereof;
FIG. 6 is a right side elevational view thereof;
FIG. 7 is a top plan view thereof; and,
FIG. 8 is a bottom plan view thereof.
The broken lines in the figures illustrate portions of the wireless charger that form no part of the claimed design.

1 Claim, 8 Drawing Sheets



(56)

References Cited

U.S. PATENT DOCUMENTS

10,714,953 B1 * 7/2020 Solana H02J 7/0044
D892,042 S * 8/2020 Hernandez D13/108
D896,175 S * 9/2020 Staff D13/108
D897,947 S * 10/2020 Gong D13/107
D904,293 S * 12/2020 Wersland D13/107
D904,296 S * 12/2020 Ruiz Hernandez D13/108
D907,575 S * 1/2021 Xu D13/108
D908,963 S * 1/2021 Lambrecht D28/52
2019/0334358 A1 * 10/2019 Fountain H01M 50/209

* cited by examiner

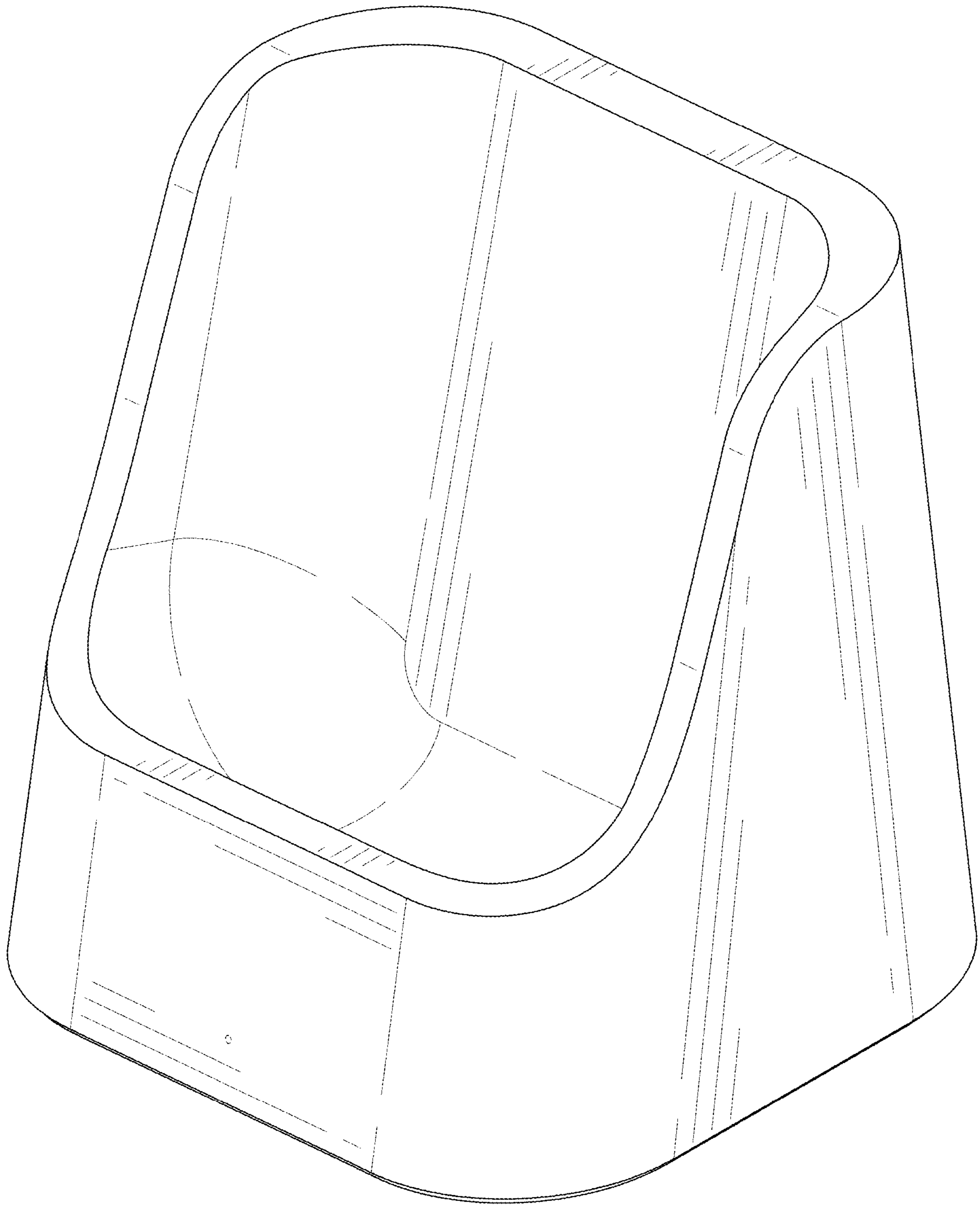


FIG. 1

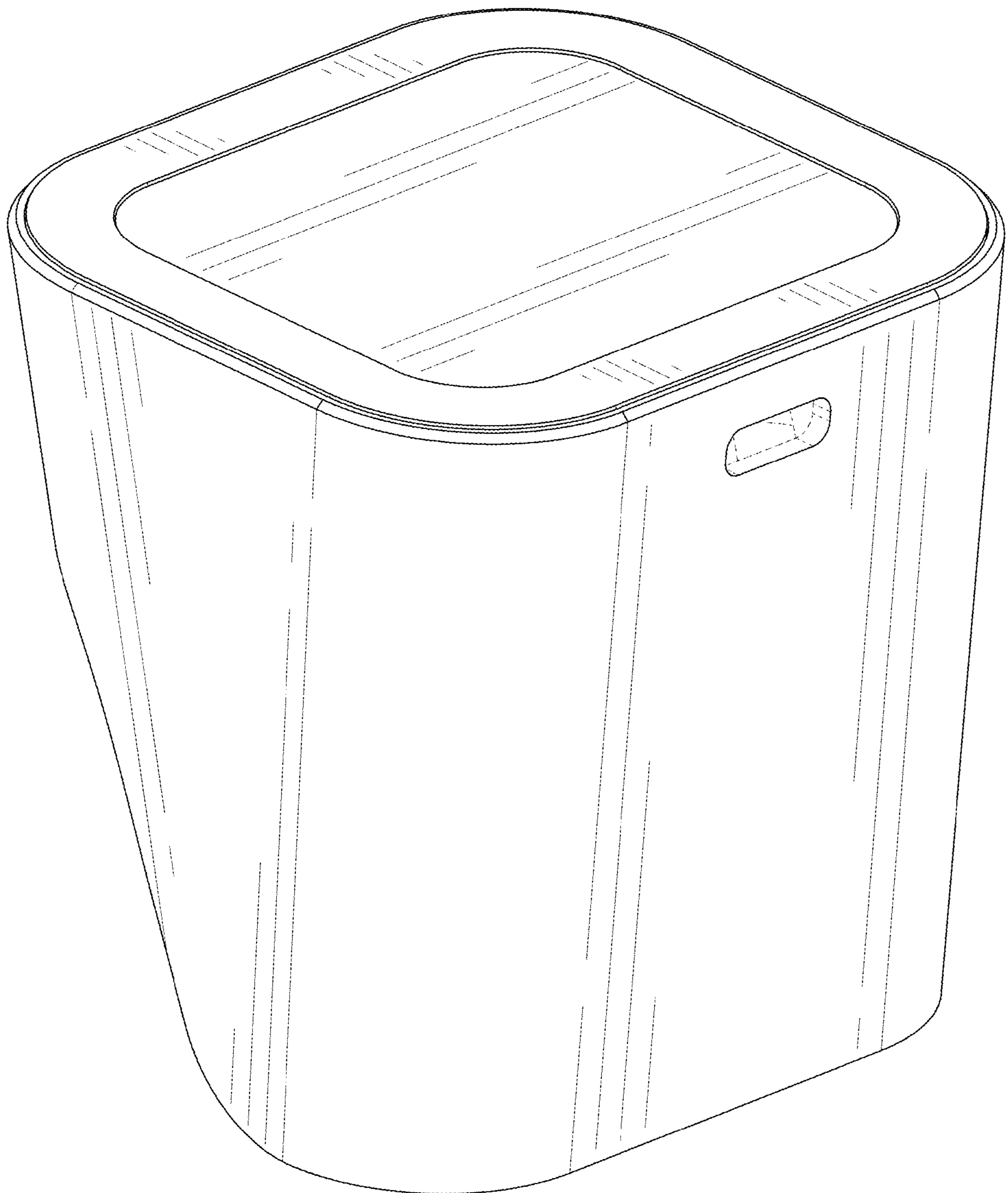


FIG. 2

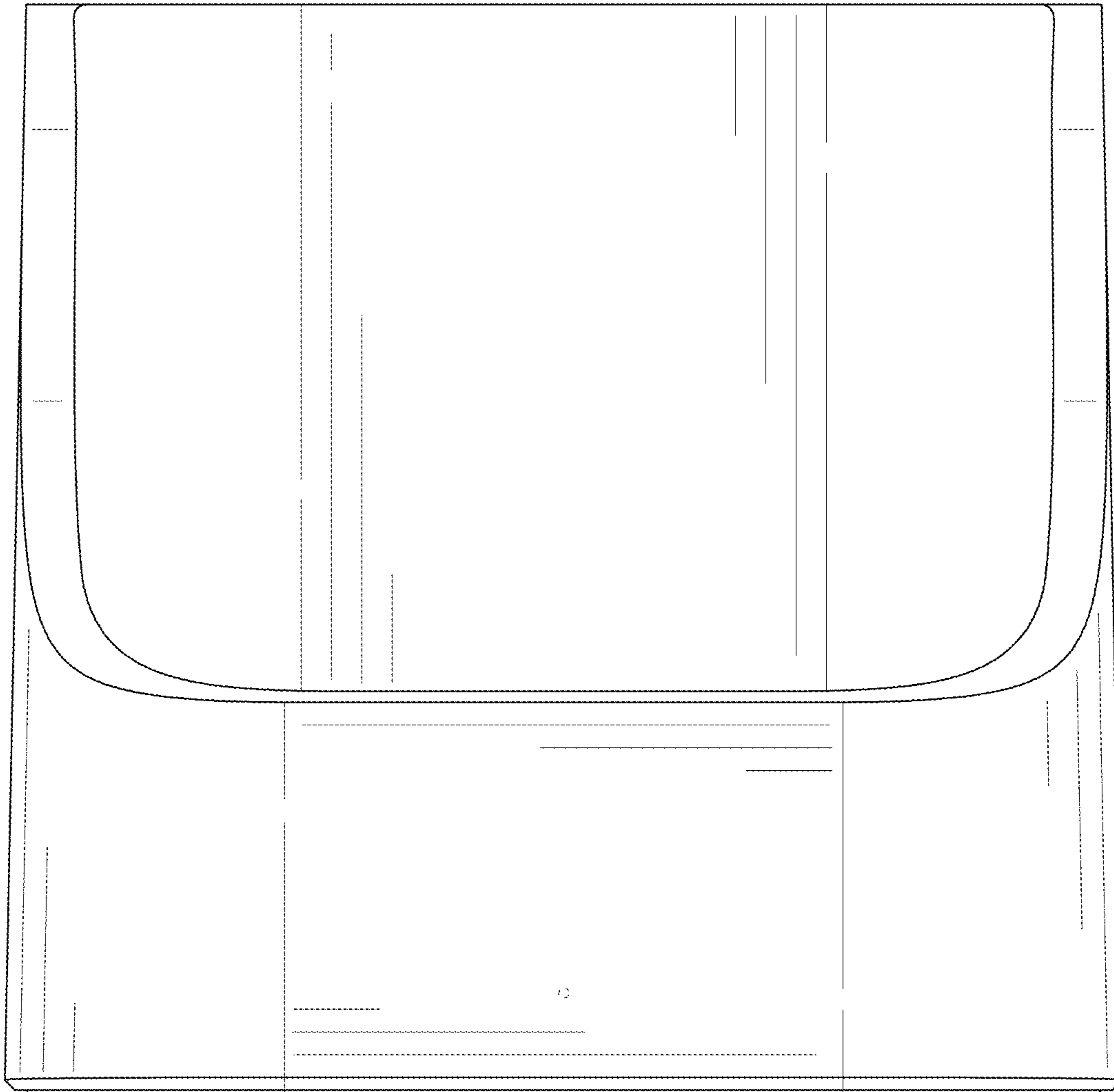


FIG. 3

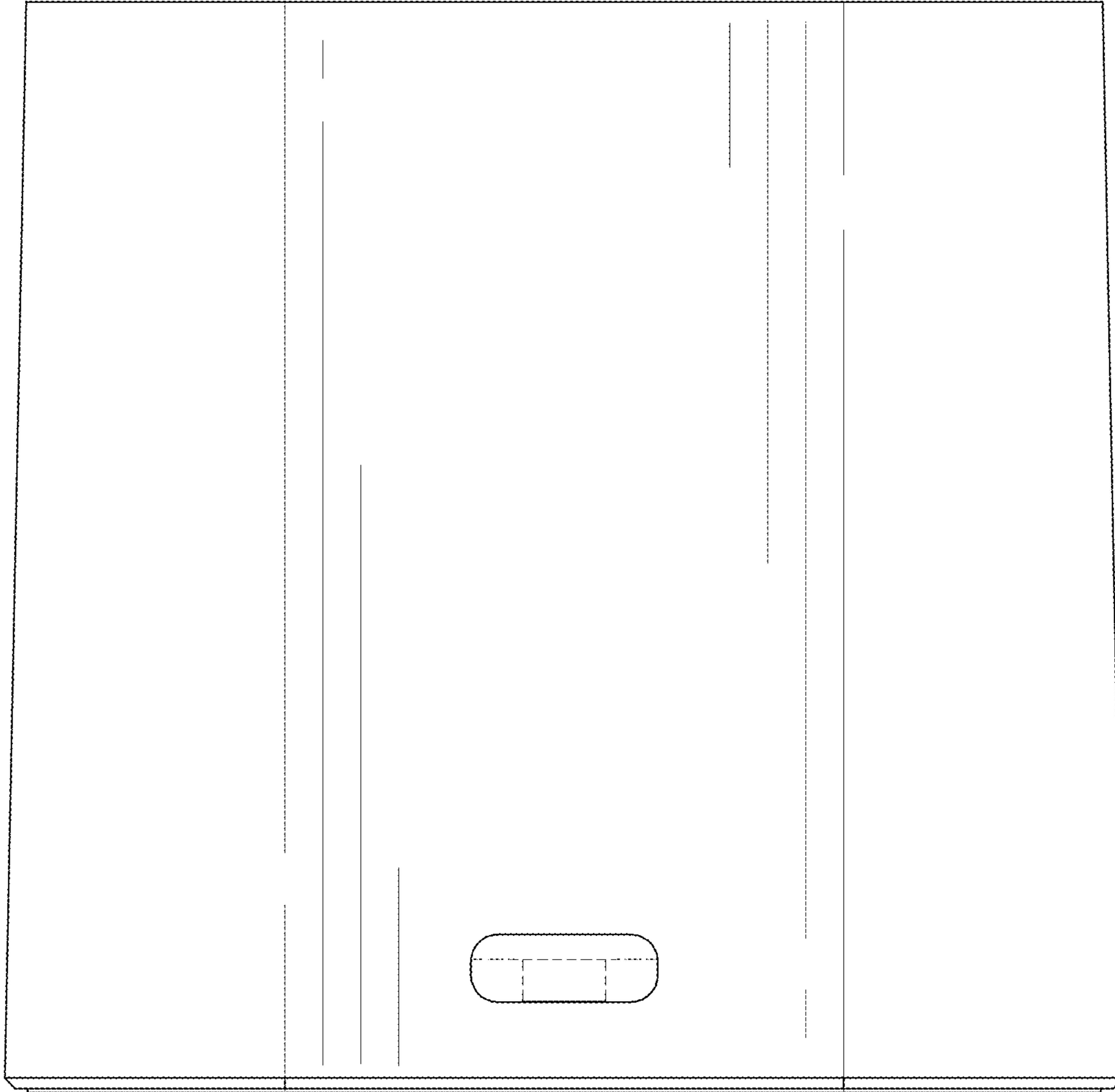


FIG. 4

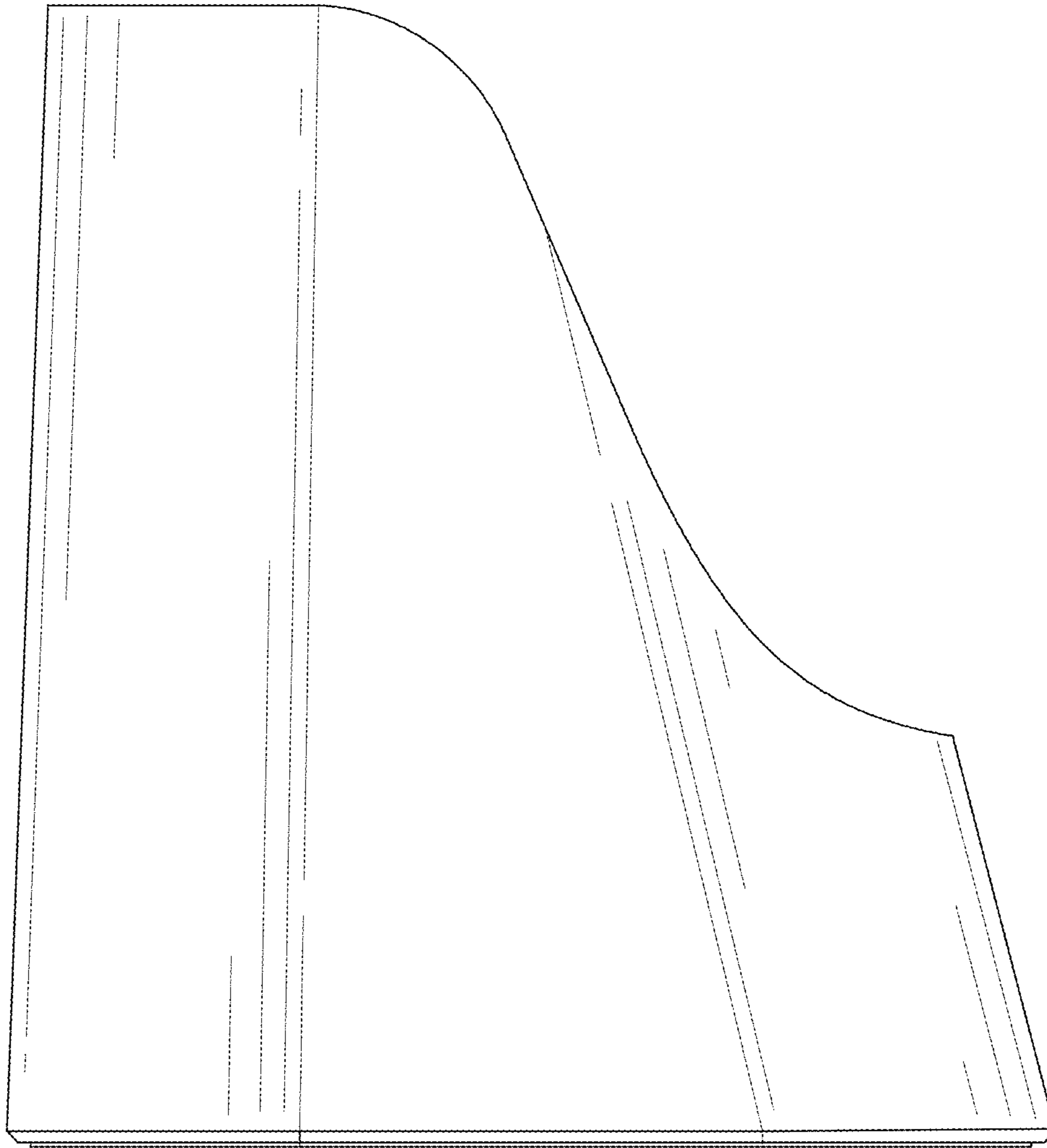


FIG. 5

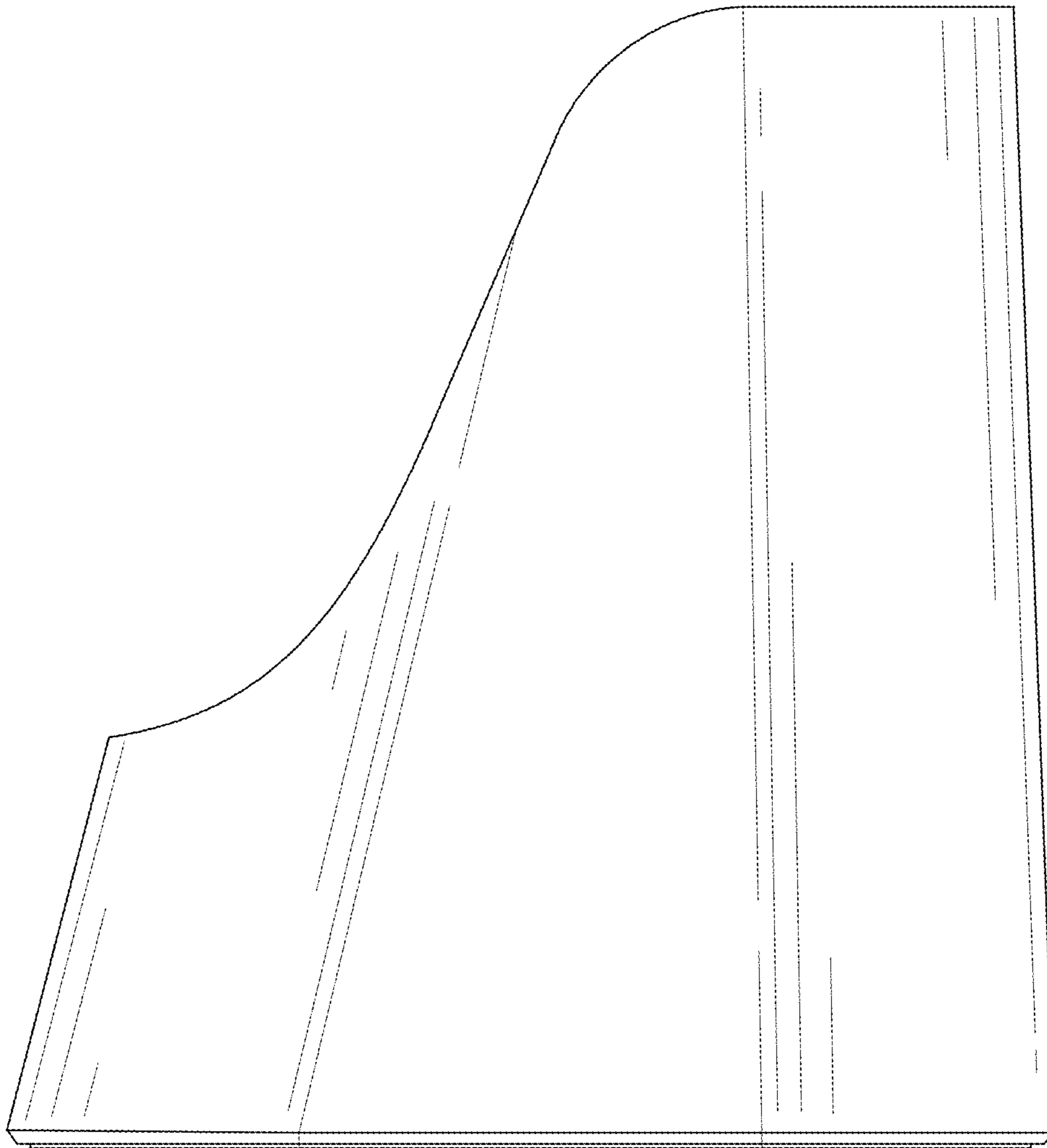


FIG. 6

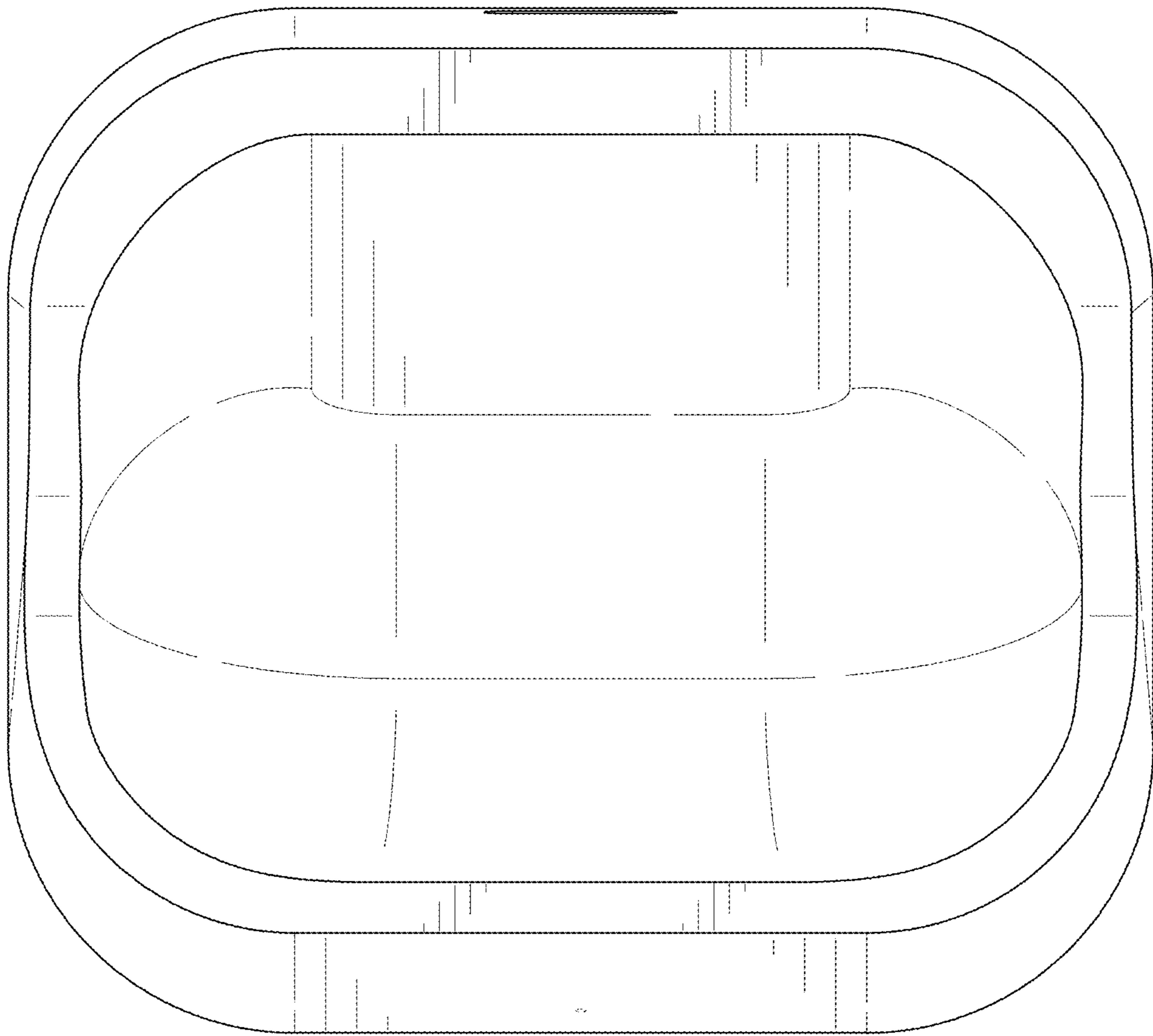


FIG. 7

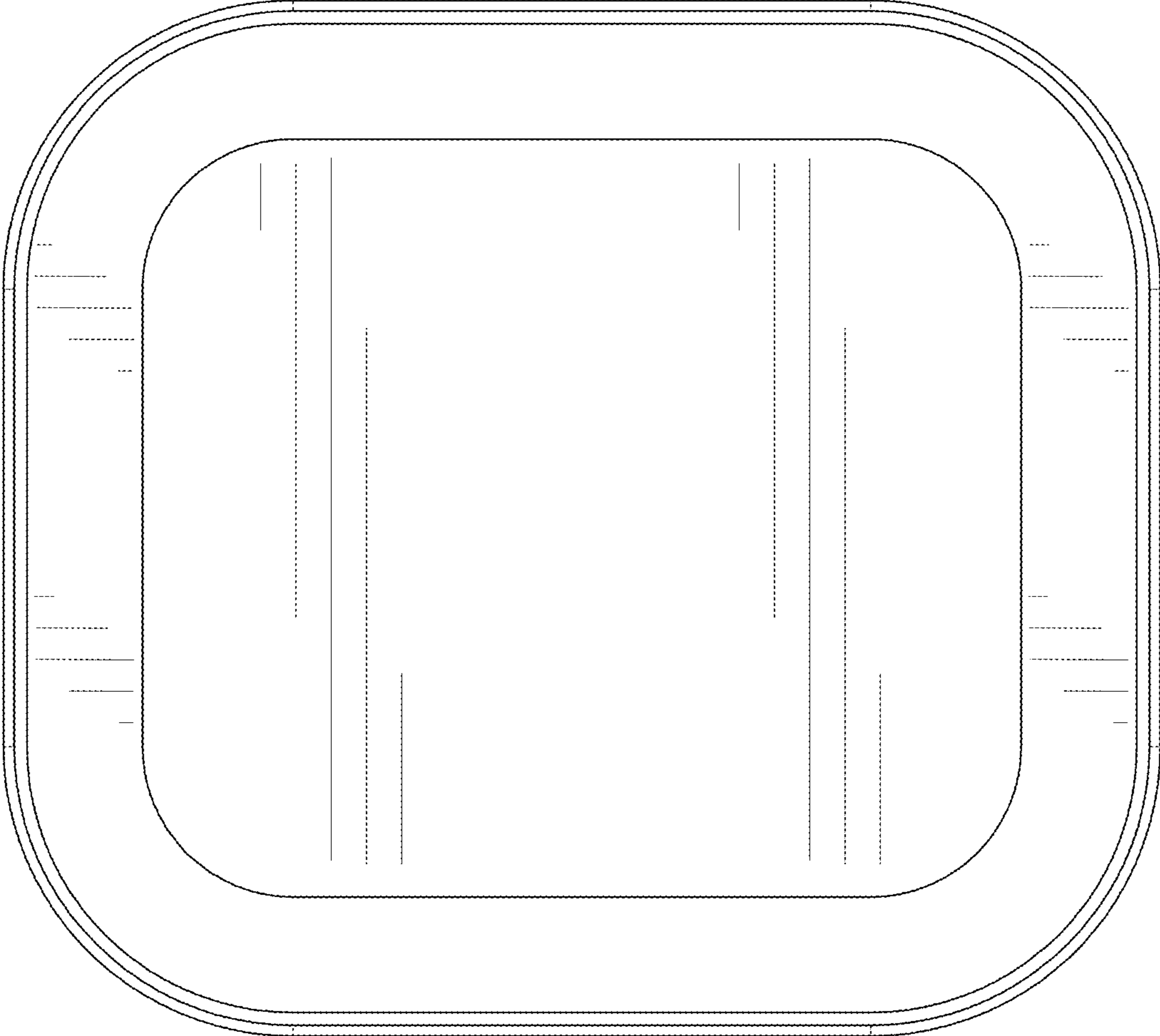


FIG. 8