



US00D922947S

(12) **United States Design Patent**  
**Wang et al.**

(10) **Patent No.:** **US D922,947 S**

(45) **Date of Patent:** **\*\* Jun. 22, 2021**

(54) **WIRELESS CHARGER**

(71) Applicant: **SHENZHEN FUTURE CHARGER TECHNOLOGY CO., LTD**, Shenzhen (CN)

(72) Inventors: **Wenzhong Wang**, Shenzhen (CN);  
**Yonghui Wei**, Shenzhen (CN)

(\*\*) Term: **15 Years**

(21) Appl. No.: **29/724,869**

(22) Filed: **Feb. 20, 2020**

(30) **Foreign Application Priority Data**

Nov. 22, 2019 (CN) ..... 201930645944.8

(51) **LOC (13) Cl.** ..... **13-02**

(52) **U.S. Cl.**  
USPC ..... **D13/108**

(58) **Field of Classification Search**

USPC ..... D13/107-110, 118, 119, 184, 199  
CPC .. Y02E 60/12; H01R 13/6675; H01M 2/1022;  
H01M 2/1055; H01M 10/44; H01M 10/46;  
H01M 10/425; H02J 2001/008; H02J 3/32;  
H02J 3/008; H02J 7/0027; H02J 7/0013;  
H02J 7/0054; H02J 7/00; B60R 16/03

See application file for complete search history.

(56) **References Cited**

**U.S. PATENT DOCUMENTS**

D598,375 S \* 8/2009 Nomi ..... D13/108  
D636,724 S \* 4/2011 Nomi ..... D13/108  
D637,951 S \* 5/2011 Perez ..... D13/108  
D660,834 S \* 5/2012 Akana ..... D14/314  
D686,201 S \* 7/2013 Lee ..... D14/314  
D727,259 S \* 4/2015 Hwang ..... D13/108  
D738,301 S \* 9/2015 Symons ..... D13/107  
D783,619 S \* 4/2017 Couture ..... D14/433

D784,258 S \* 4/2017 Vienna ..... D13/108  
D793,958 S \* 8/2017 Rautiainen ..... D13/108  
D797,099 S \* 9/2017 Wieser ..... D14/358  
D812,560 S \* 3/2018 Xu ..... D13/107  
D818,434 S \* 5/2018 Doiron ..... D13/108  
D859,415 S \* 9/2019 Liao ..... D14/434  
D865,664 S \* 11/2019 Liao ..... D13/108  
D865,666 S \* 11/2019 Roberts ..... D13/108  
D865,667 S \* 11/2019 Roberts ..... D13/108  
D865,668 S \* 11/2019 Roberts ..... D13/108  
D871,328 S \* 12/2019 Yang ..... D13/108  
D872,690 S \* 1/2020 Williams ..... D13/108  
D875,041 S \* 2/2020 Chen ..... D13/108  
D877,068 S \* 3/2020 Wang ..... D13/108  
D884,615 S \* 5/2020 Ito ..... D13/108  
D887,974 S \* 6/2020 Chen ..... D13/108  
D906,959 S \* 1/2021 Turksu ..... D13/108  
D909,968 S \* 2/2021 Chen ..... D13/108  
D911,946 S \* 3/2021 Turksu ..... D13/108  
D911,955 S \* 3/2021 Turksu ..... D13/108

(Continued)

*Primary Examiner* — Christy Nemeth

(74) *Attorney, Agent, or Firm* — W&K IP

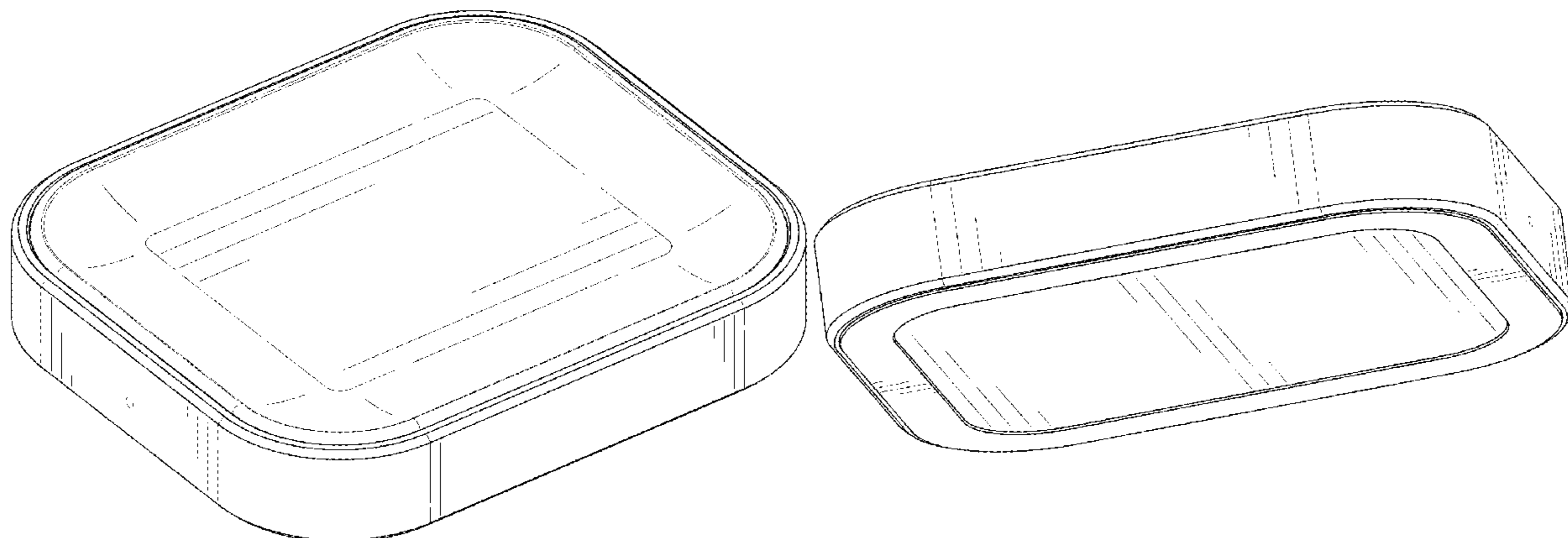
(57) **CLAIM**

The ornamental design for a wireless charger, as shown and described.

**DESCRIPTION**

FIG. 1 is a front and top perspective view of a wireless charger, showing our new design;  
FIG. 2 is a rear and bottom perspective view thereof;  
FIG. 3 is a front elevational view thereof;  
FIG. 4 is a rear elevational view thereof;  
FIG. 5 is a left side elevational view thereof;  
FIG. 6 is a right side elevational view thereof;  
FIG. 7 is a top plan view thereof; and,  
FIG. 8 is a bottom plan view thereof.  
The broken lines in the figures illustrate portions of the wireless charger that form no part of the claimed design.

**1 Claim, 8 Drawing Sheets**



(56)

**References Cited**

U.S. PATENT DOCUMENTS

D912,401 S \* 3/2021 Dowd ..... D3/294  
D915,273 S \* 4/2021 Georgiades ..... D13/108

\* cited by examiner

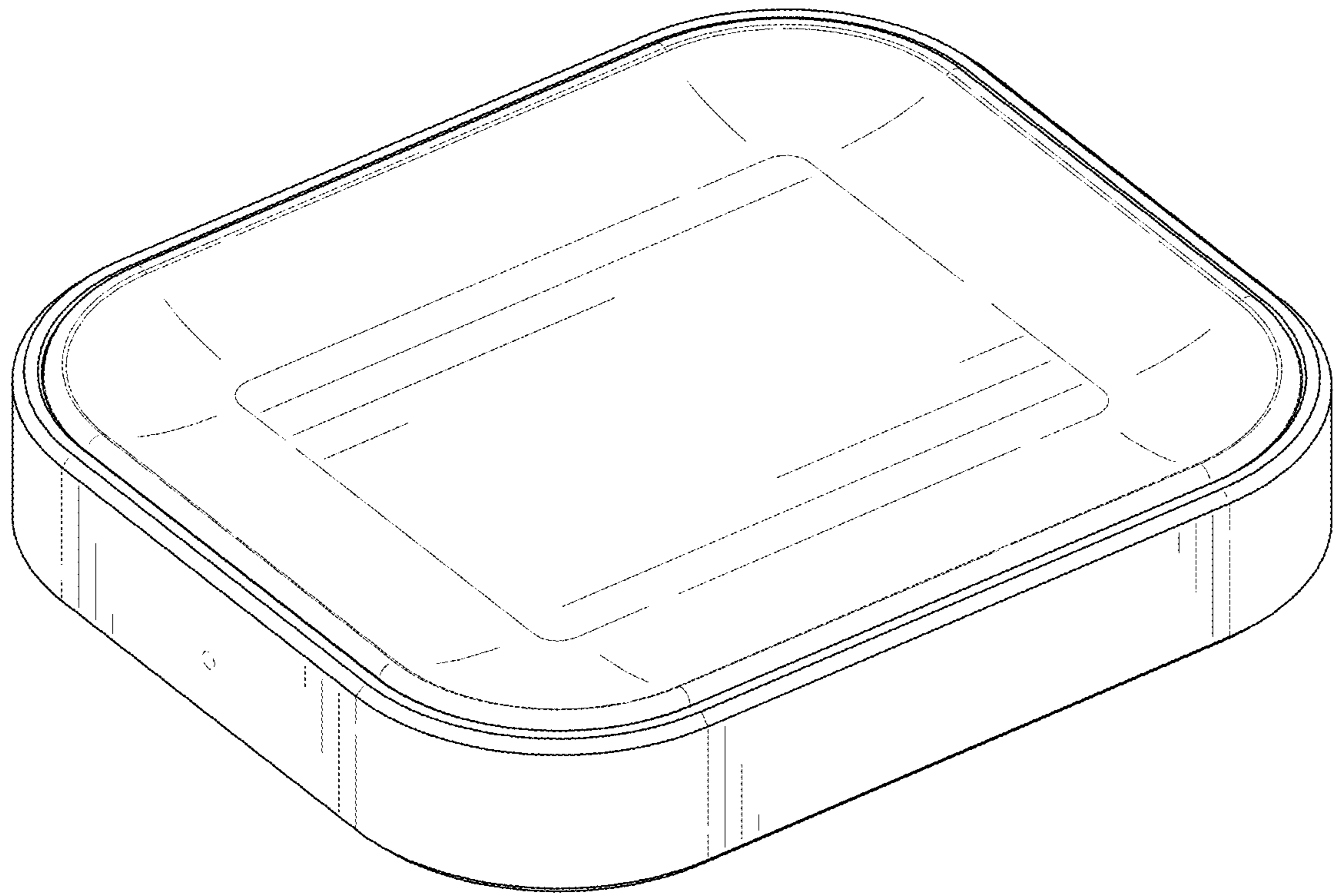


FIG. 1

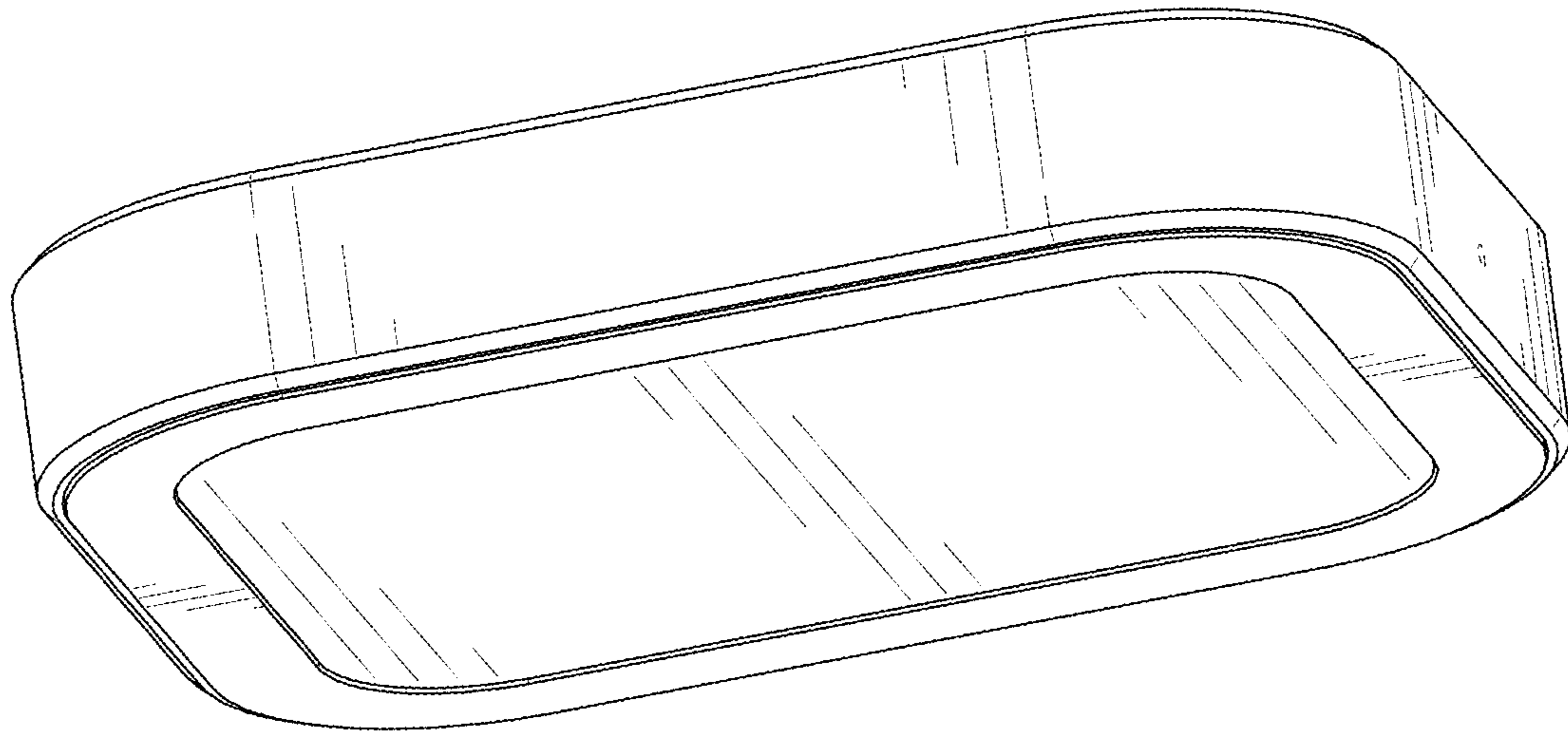


FIG. 2

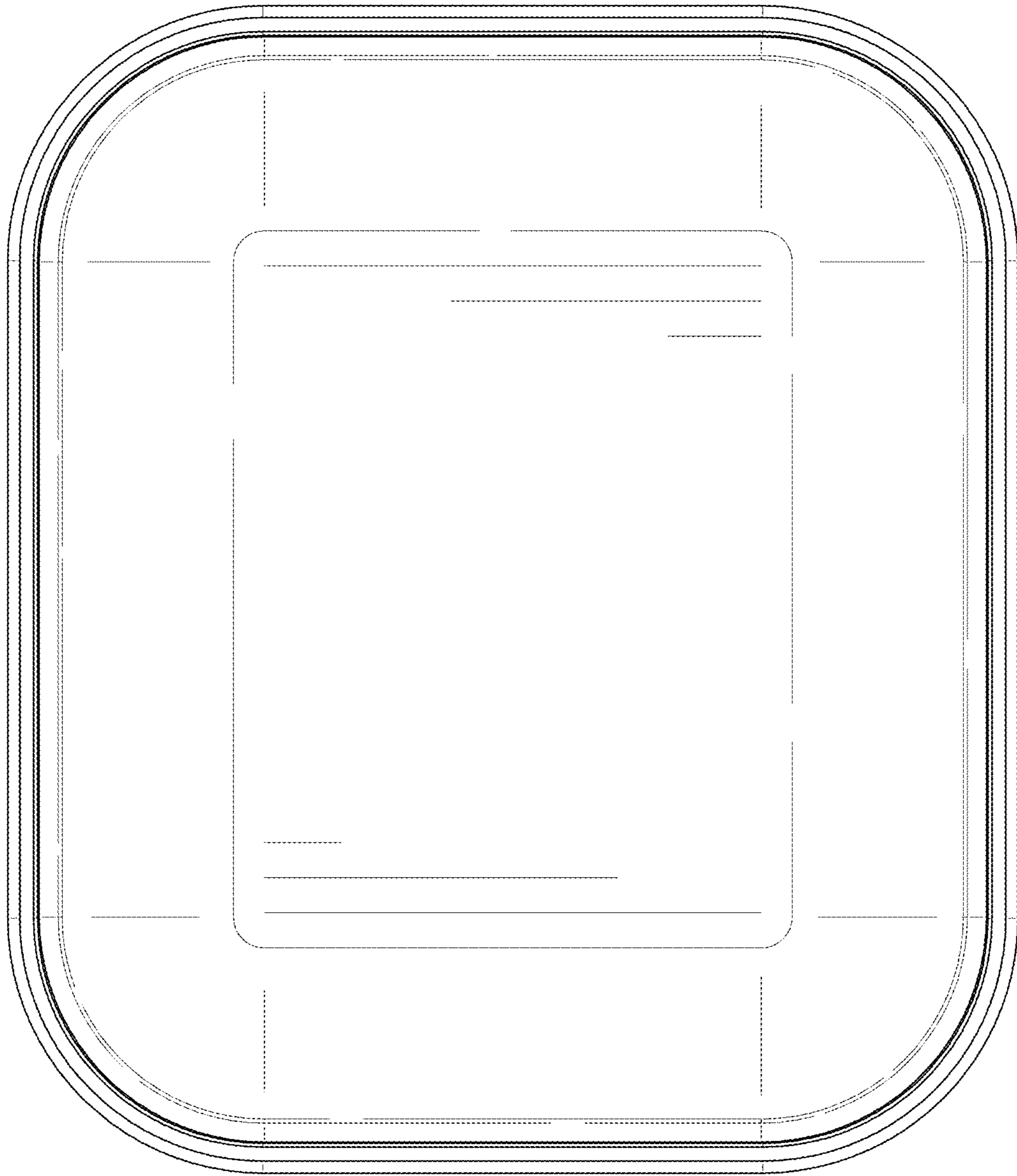


FIG. 3



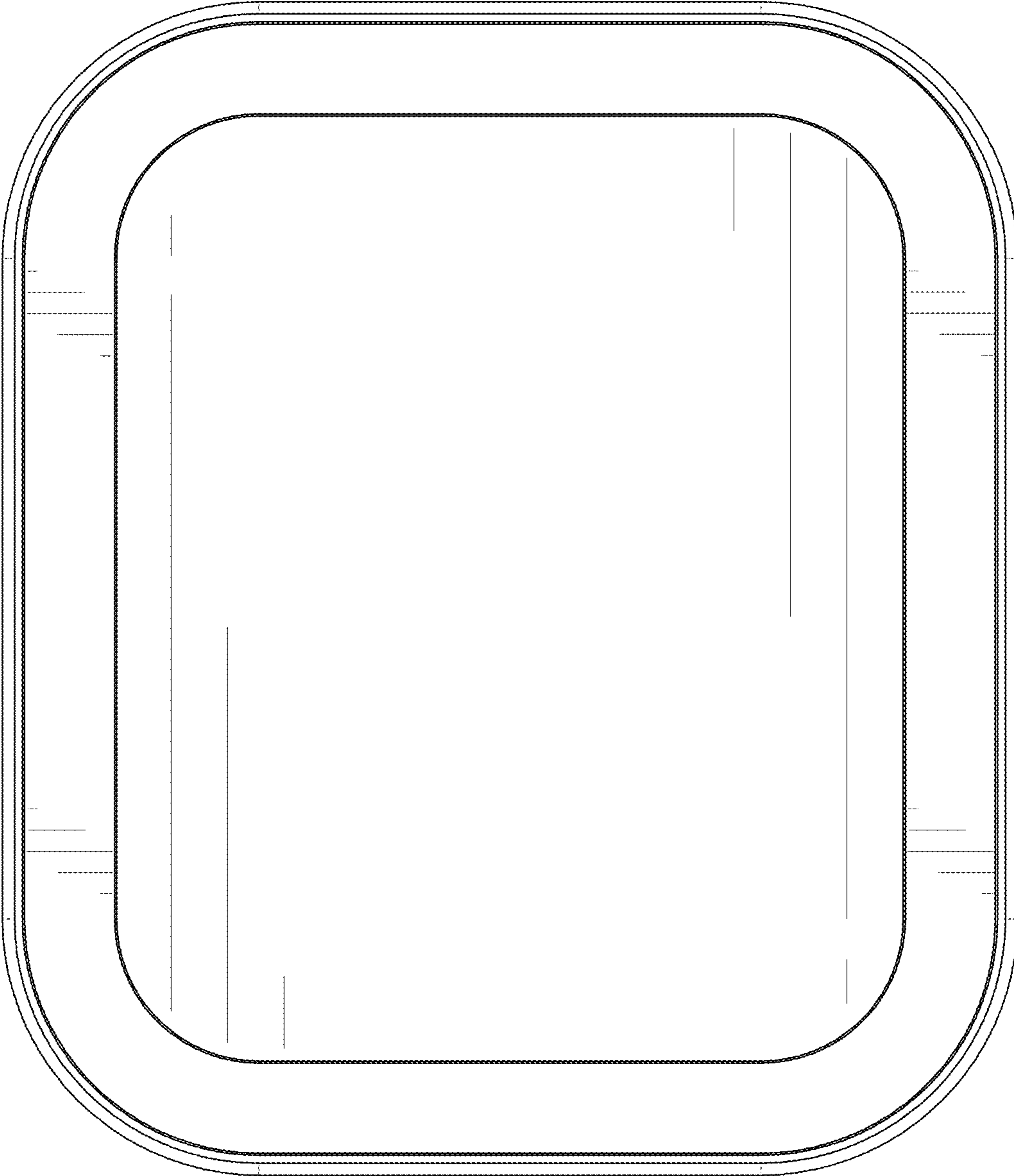


FIG. 4

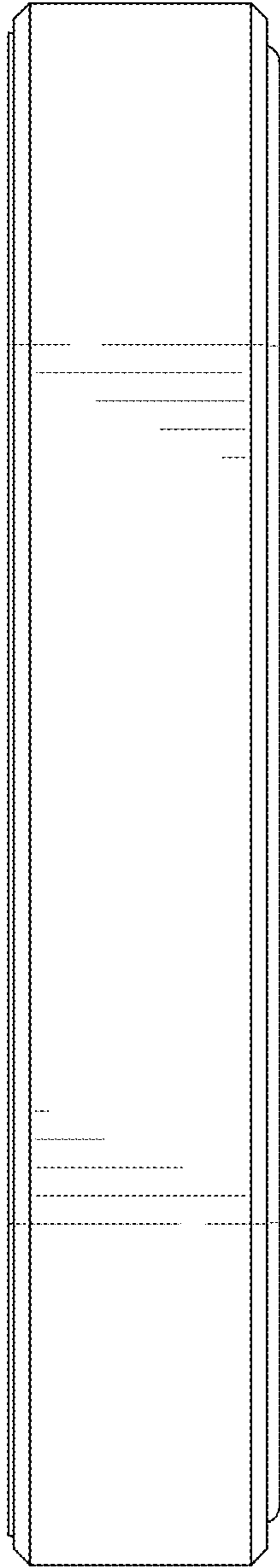


FIG. 5

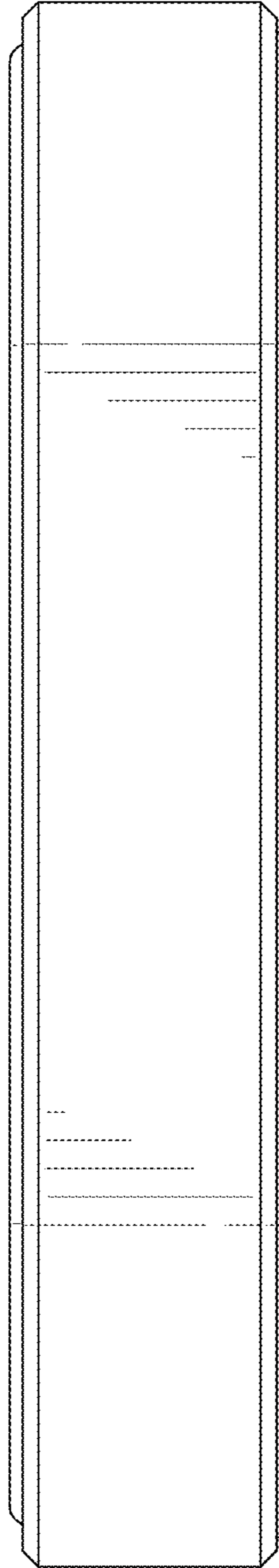


FIG. 6



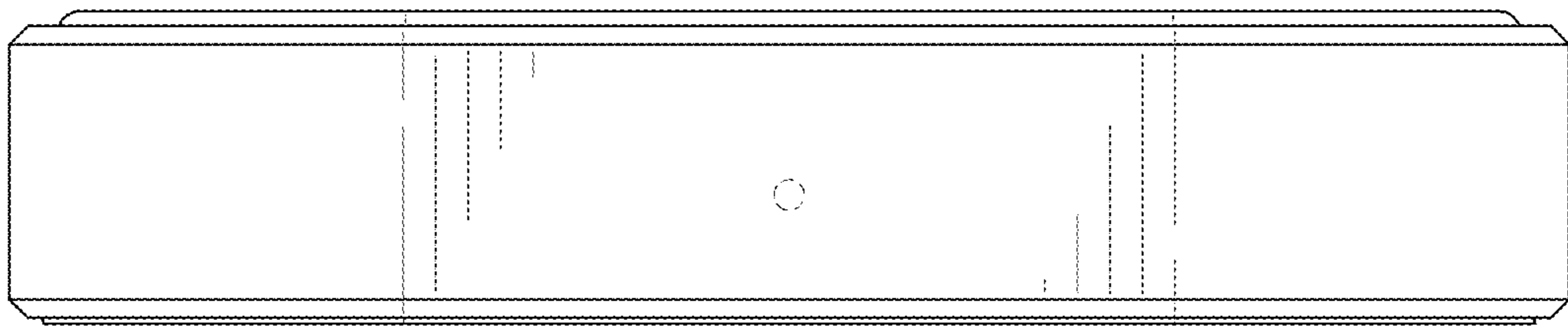


FIG. 7

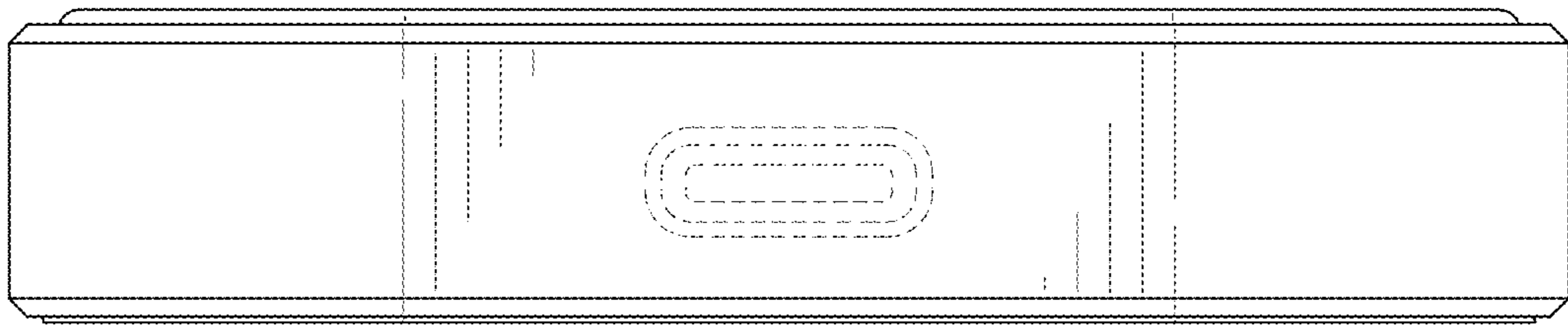


FIG. 8