



US00D922946S

(12) **United States Design Patent** (10) **Patent No.:** **US D922,946 S**
Chen (45) **Date of Patent:** **** Jun. 22, 2021**

(54) **EARPHONE CHARGING CASE**
(71) Applicant: **Shenzhen Ausounds Intelligent Co., Ltd.**, Shenzhen (CN)
(72) Inventor: **Aimin Chen**, Shenzhen (CN)
(73) Assignee: **Shenzhen Ausounds Intelligent Co., Ltd.**, Shenzhen (CN)

(**) Term: **15 Years**
(21) Appl. No.: **29/716,260**
(22) Filed: **Dec. 9, 2019**

(30) **Foreign Application Priority Data**

Oct. 9, 2019 (CN) 201930547317.0

(51) **LOC (13) Cl.** **13-02**

(52) **U.S. Cl.**
USPC **D13/108; D3/294**

(58) **Field of Classification Search**

USPC ... D3/203.1–203.6, 208, 219, 226, 230, 234, D3/235, 238, 242, 263, 264, 269, 270, D3/271.1, 271.2, 273, 274, 276, 282–284, D3/286, 294, 303, 304, 313, 314, 218; D13/107–108; D14/204–207, 217, 223, D14/440; D29/108, 112, 122

CPC A45C 2011/001; A45C 2011/002; A45C 2011/003; A45C 11/005; A45C 11/04; A45C 11/16; A45C 13/002; A45C 13/025; A45C 13/005; A47F 7/02; A47F 7/03; A47G 23/06; G06F 1/1628; H02J 7/0003; H02J 7/0007; H02J 7/0027; H02J 7/0042; H02J 7/0044; H02J 7/0045; H02J 7/0068; H02J 7/025; H02J 7/026; H02J 7/342; H02J 7/345; H02J 50/00; H02J 50/10; H02J

(Continued)

(56) **References Cited**

U.S. PATENT DOCUMENTS

D806,388 S * 1/2018 Akana D3/294
D826,152 S * 8/2018 Christiansen D13/108

(Continued)

FOREIGN PATENT DOCUMENTS

EM 007021118-0001 * 11/2019

OTHER PUBLICATIONS

Ausounds AU-Stream True Wireless Bluetooth Earbuds, first available Nov. 22, 2019, amazon.com [online], [site visited Mar. 11, 2021], Available at internet URL: <https://www.amazon.com/Ausounds-AU-Stream-Wireless-Bluetooth-Earbuds/dp/B081V4ND8J?th=1> (Year: 2019).*

(Continued)

Primary Examiner — Jeffrey D Asch
Assistant Examiner — Caitlin Ann Laverty
(74) *Attorney, Agent, or Firm* — Westbridge IP LLC

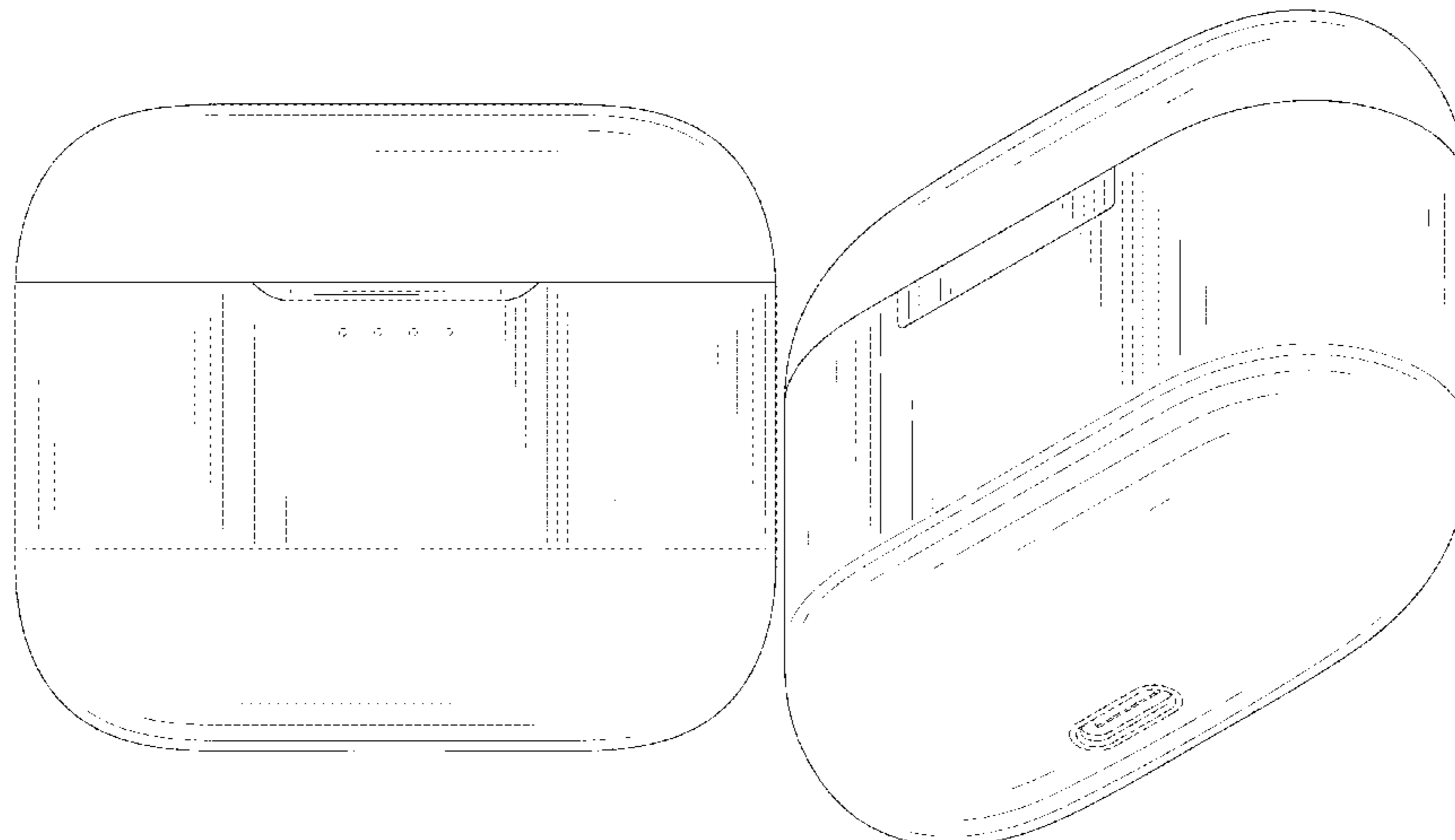
(57) **CLAIM**

The ornamental design for an earphone charging case, as shown and described.

DESCRIPTION

FIG. 1 is a front elevational view of an earphone charging case showing my new design;
FIG. 2 is a rear elevational view thereof;
FIG. 3 is a left side view thereof;
FIG. 4 is a right side view thereof;
FIG. 5 is a top plan view thereof;
FIG. 6 is a bottom plan view thereof;
FIG. 7 is a front, right and top perspective view thereof;
FIG. 8 is a rear, left and bottom perspective view thereof;
and,
FIG. 9 is a front, right and top perspective view when a case of the earphone charging case is open.
The broken lines in the drawings illustrate the portions of the earphone charging case which form no part of the claimed design.

1 Claim, 9 Drawing Sheets



(58) **Field of Classification Search**

CPC 50/12; H02J 50/40; H02J 50/50; H02J 50/80; H02J 50/402; H04R 1/10; H04R 1/1016; H04R 1/1025; H04R 1/1033; H04R 1/1058; H04R 1/105; H04R 1/1091; H04R 1/02; H04R 25/00; H04R 25/02

See application file for complete search history.

(56) **References Cited**

U.S. PATENT DOCUMENTS

D826,852	S	*	8/2018	Hung	D13/108
D882,259	S	*	4/2020	Liu	D3/269
D893,166	S	*	8/2020	Lu	D3/201
D893,184	S	*	8/2020	Liu	D3/294
D893,185	S	*	8/2020	Liu	D3/294
D897,678	S	*	10/2020	Koh	D3/294
D897,997	S	*	10/2020	Zhang	D14/223
D902,588	S	*	11/2020	Zhang	D3/294
D904,025	S	*	12/2020	Ma	D3/295
D907,009	S	*	1/2021	Akana	D14/223
D908,617	S	*	1/2021	Briggs	D13/108

OTHER PUBLICATIONS

Enacfire E20 Wireless Earbuds Bluetooth Heaphones . . . , first available May 20, 2019, amazon.co.uk [online], [site visited Mar. 11, 2021], Available at internet URL: <https://www.amazon.co.uk/ENACFIRE-Bluetooth-Headphones-Connection-Technology/dp/B07KV1PCWD> (Year: 2019).*

AUKEY Wireless Headphones . . . , first available Jun. 24, 2020, amazon.co.uk [online], [site visited Mar. 11, 2021], Available at internet URL: https://www.amazon.co.uk/dp/B088NWFD63/ref=sspa_dk_detail_6?psc=1&pd_rd_i=B088NWFD63&pd_rd_w=IHSjS&pf_rd_p=f388d75d-7ab7-4c34-b7db-4c9f2e822f57&pd_rd_wg=tpERF&pf_rd_r=WFEF2G (Year: 2020). J069RFSAJ6JYZ9&pd_rd_r=8f97f6bd-e9cb-44f9-9196-fe886f38c55c&smid=A3B1G6OIUXQ222&spLa=ZW5jcnlwdGVkUXVhbGlmaWVyPU EzREpXR0FYSDbHTUQwJmVuY3J5cHRIZEIkPUEwOTI0ODQzM1VQQ1hZQjkxSzBXTyZlbnNyeXB0ZW RBZEIkPUEwODgzNDQ5M044SURESvFNVTIPUyZ3aWRnZXROYW1IPXNwX2RldGFpbF90aGVtYXRpYyZhY3Rpb249Y2xpY2tSZWRpcmVjdCZkb05vdExvZ0NsaWNrPXRydWU.*

* cited by examiner

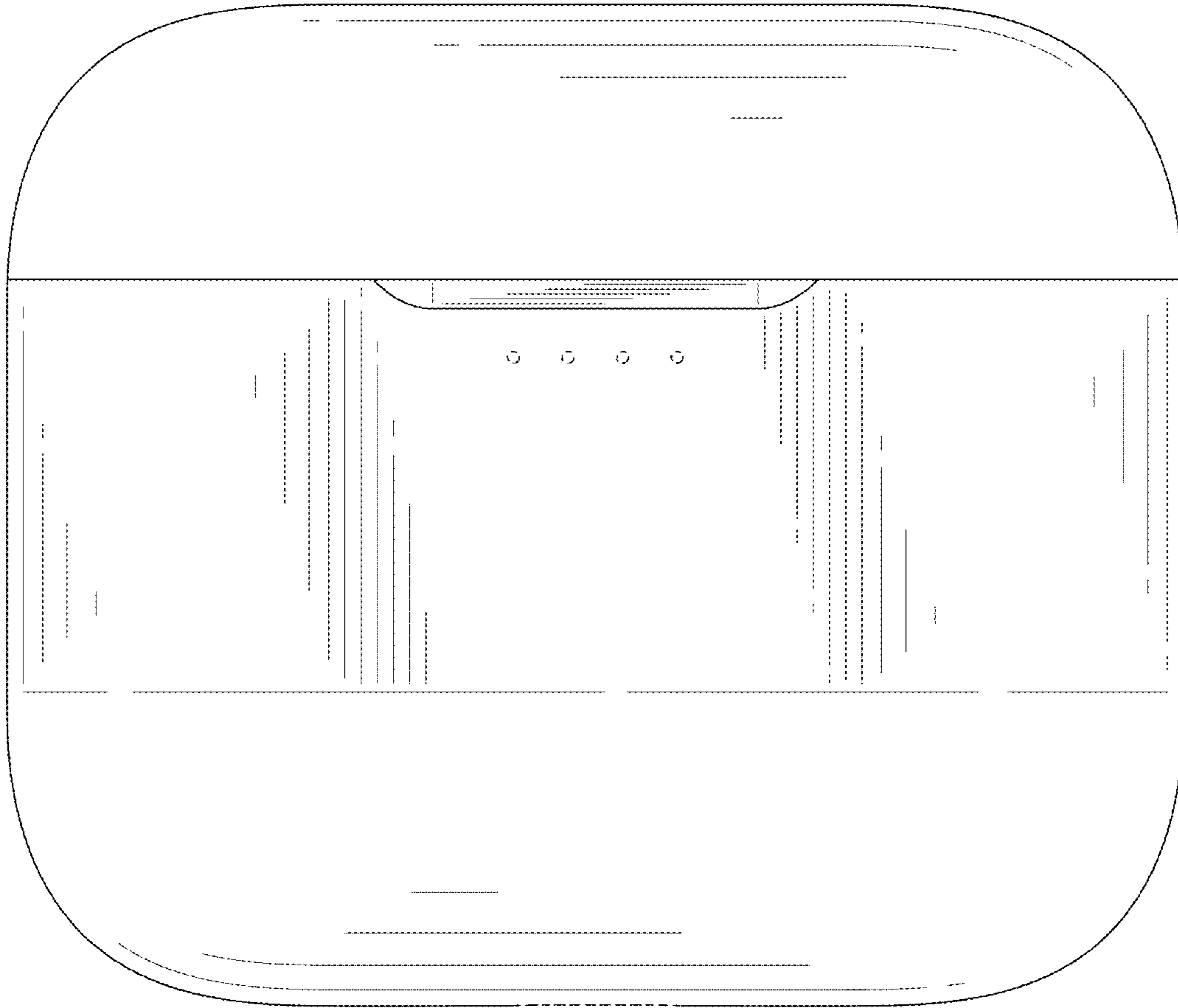


FIG. 1

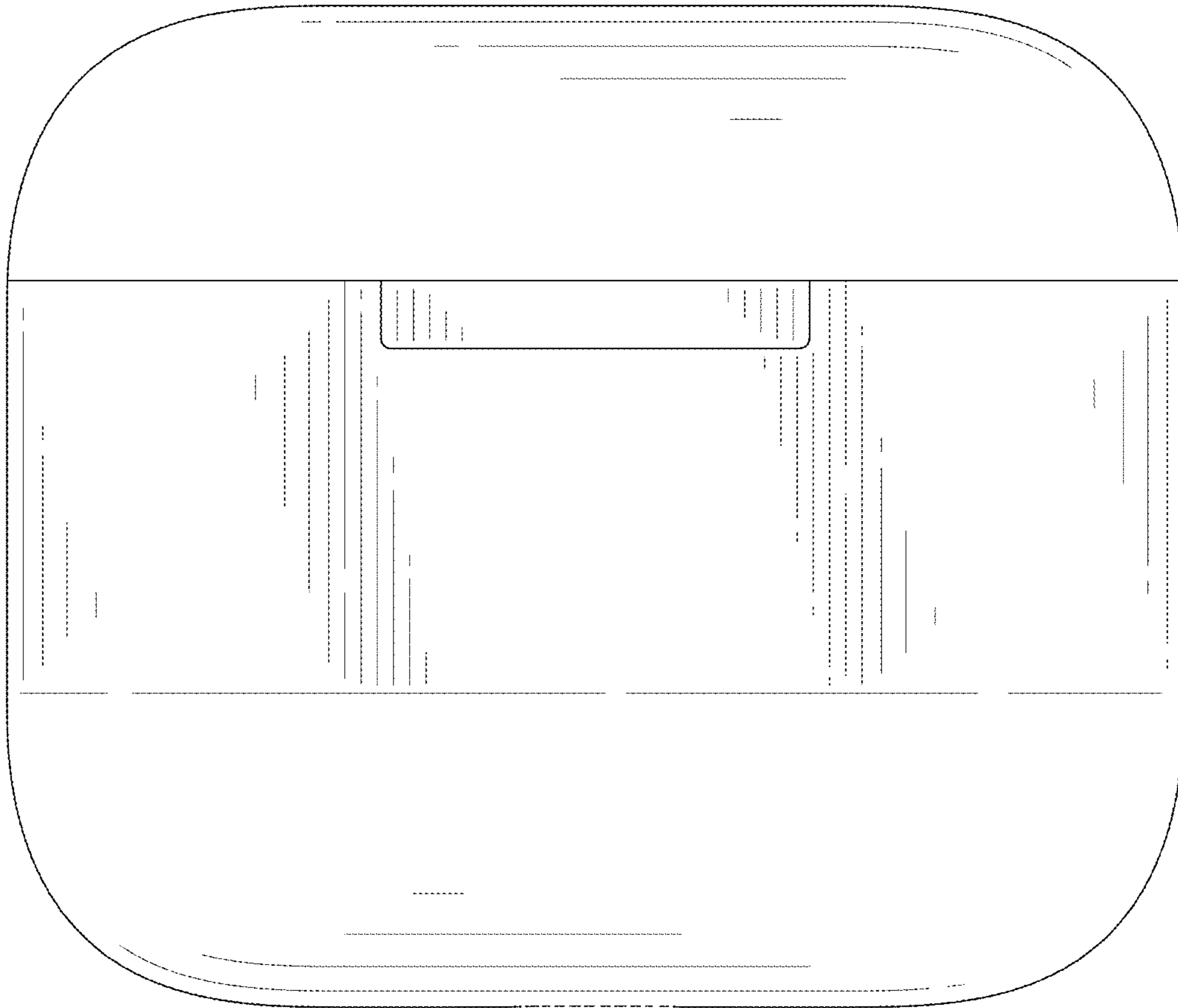


FIG. 2

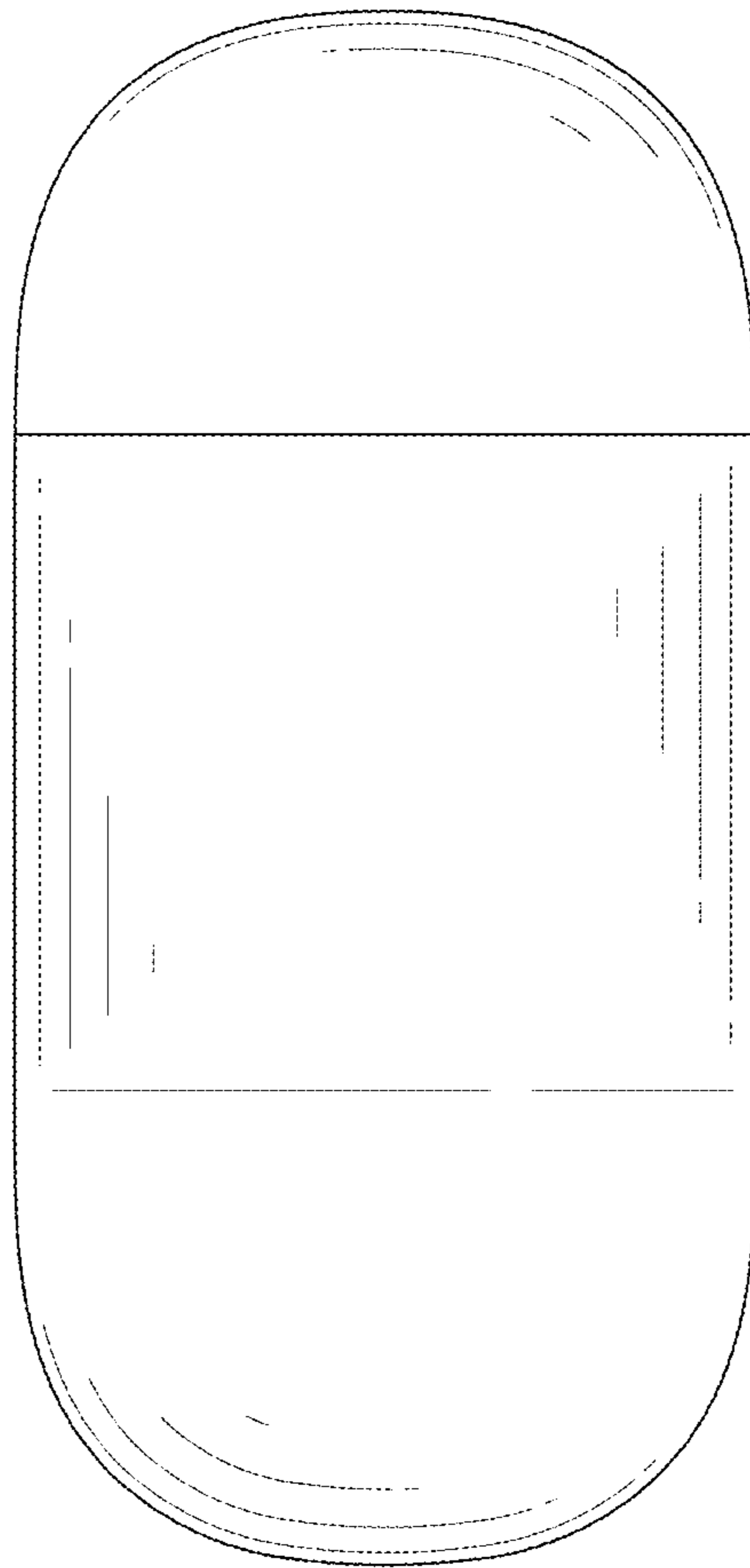


FIG. 3

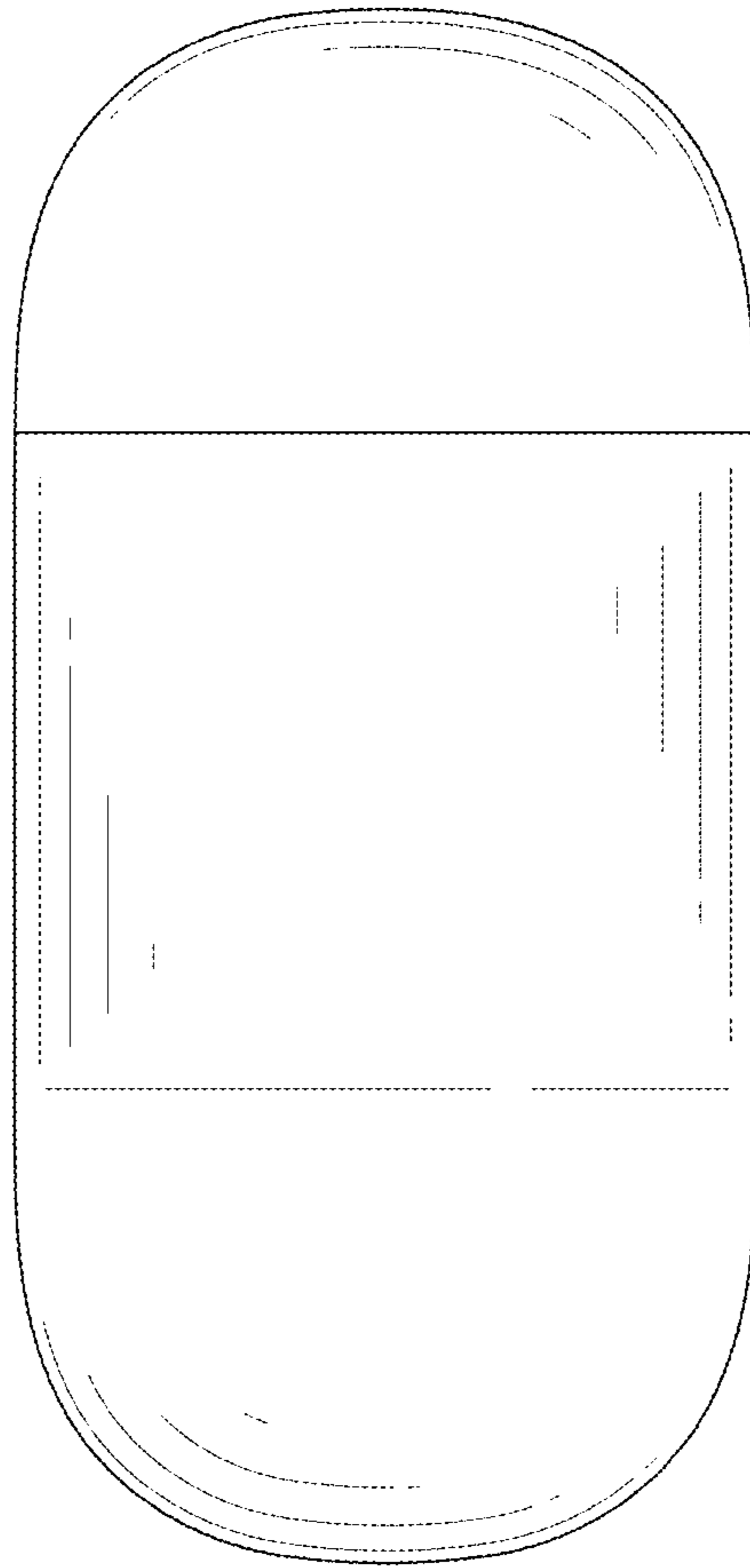


FIG. 4

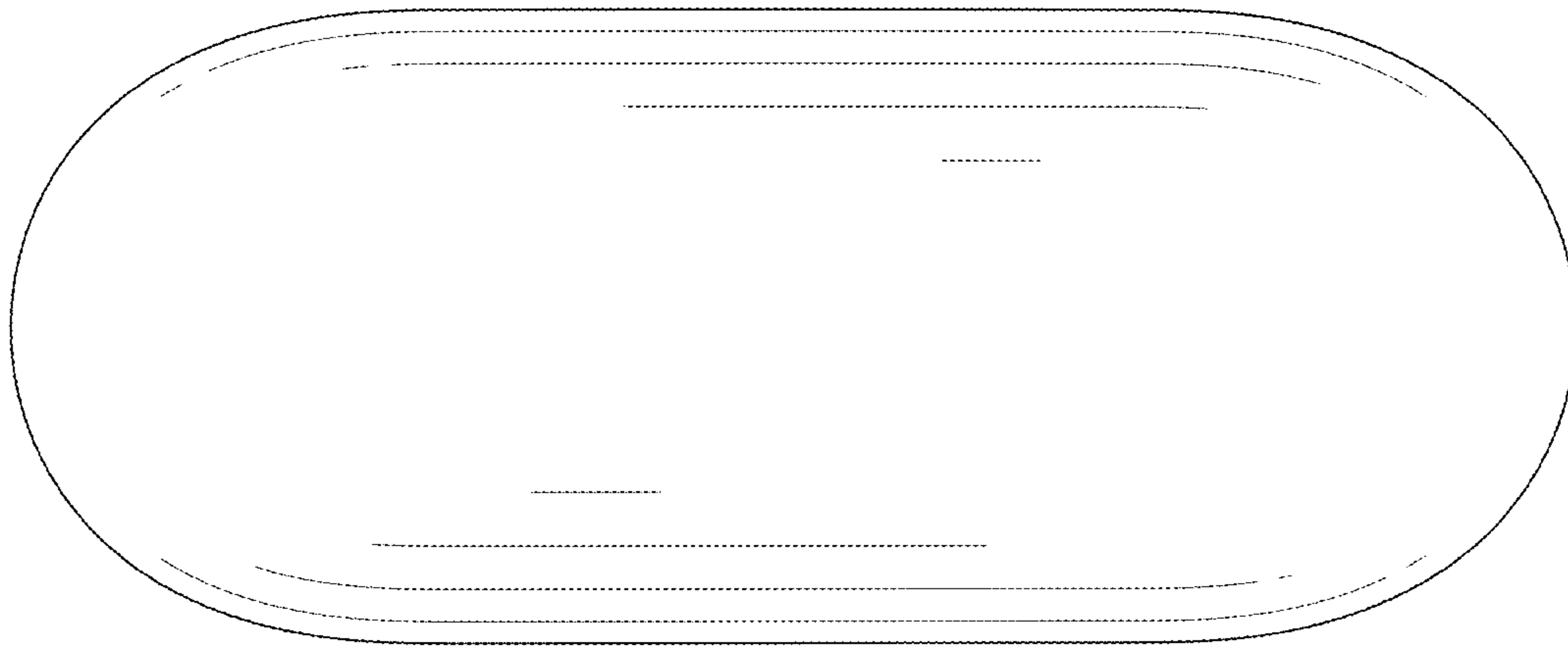


FIG. 5

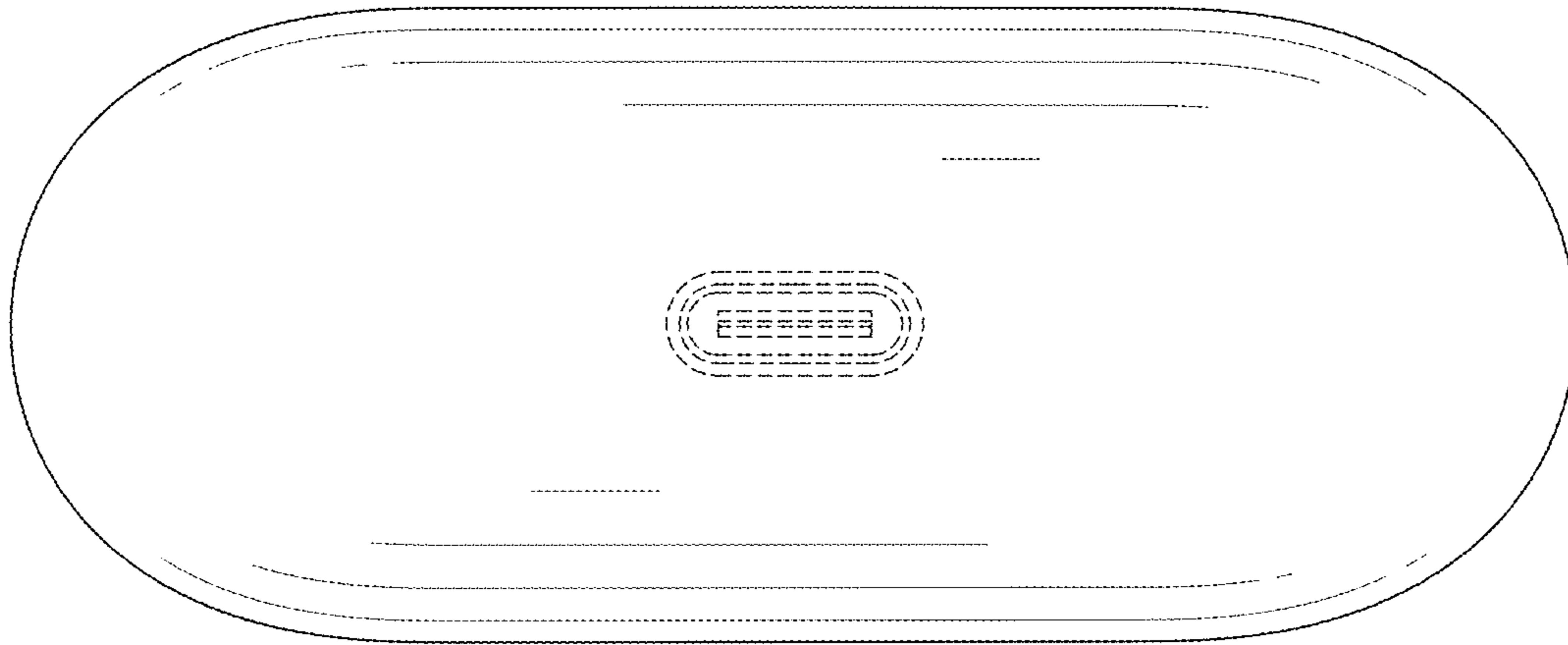


FIG. 6

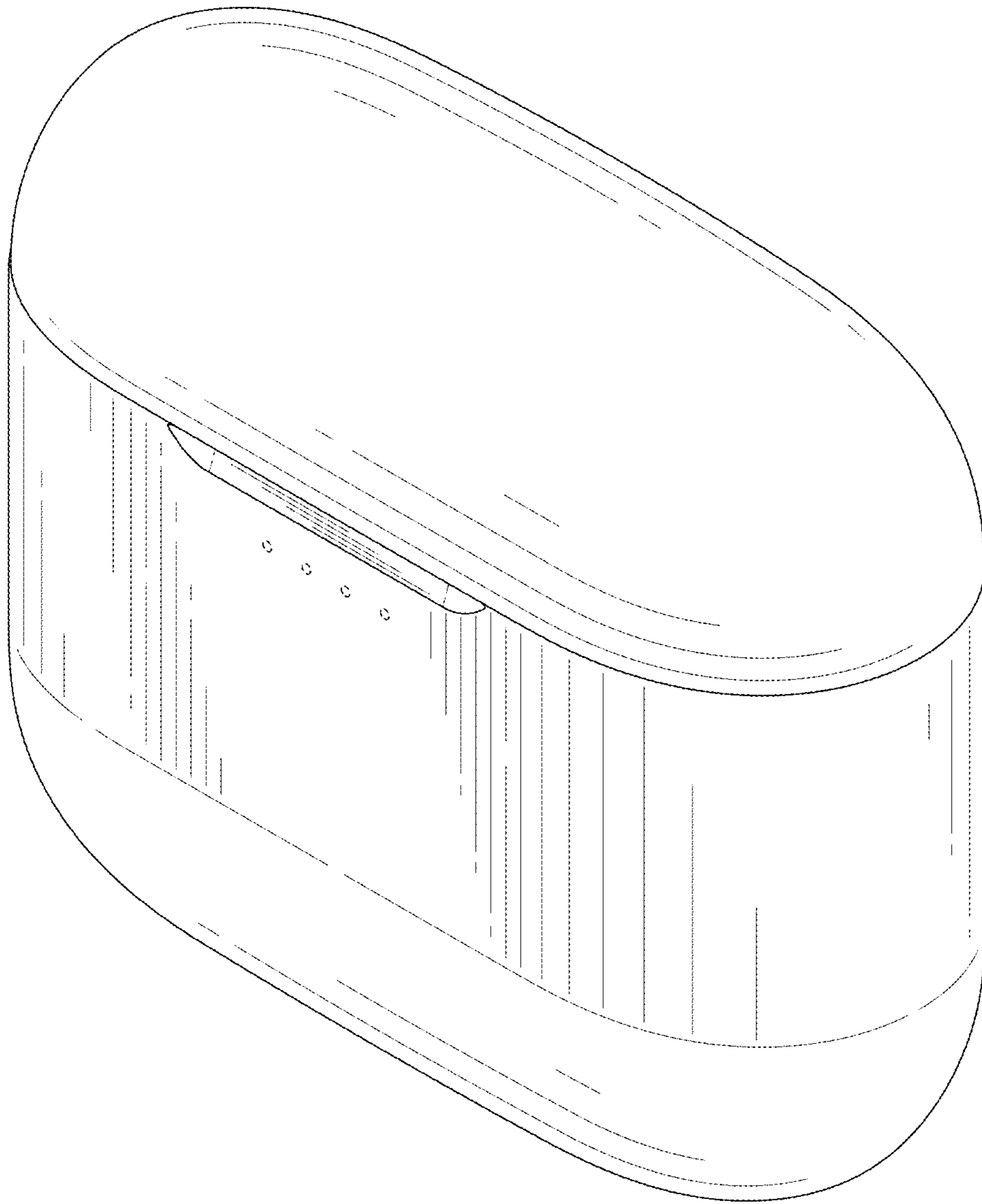


FIG. 7

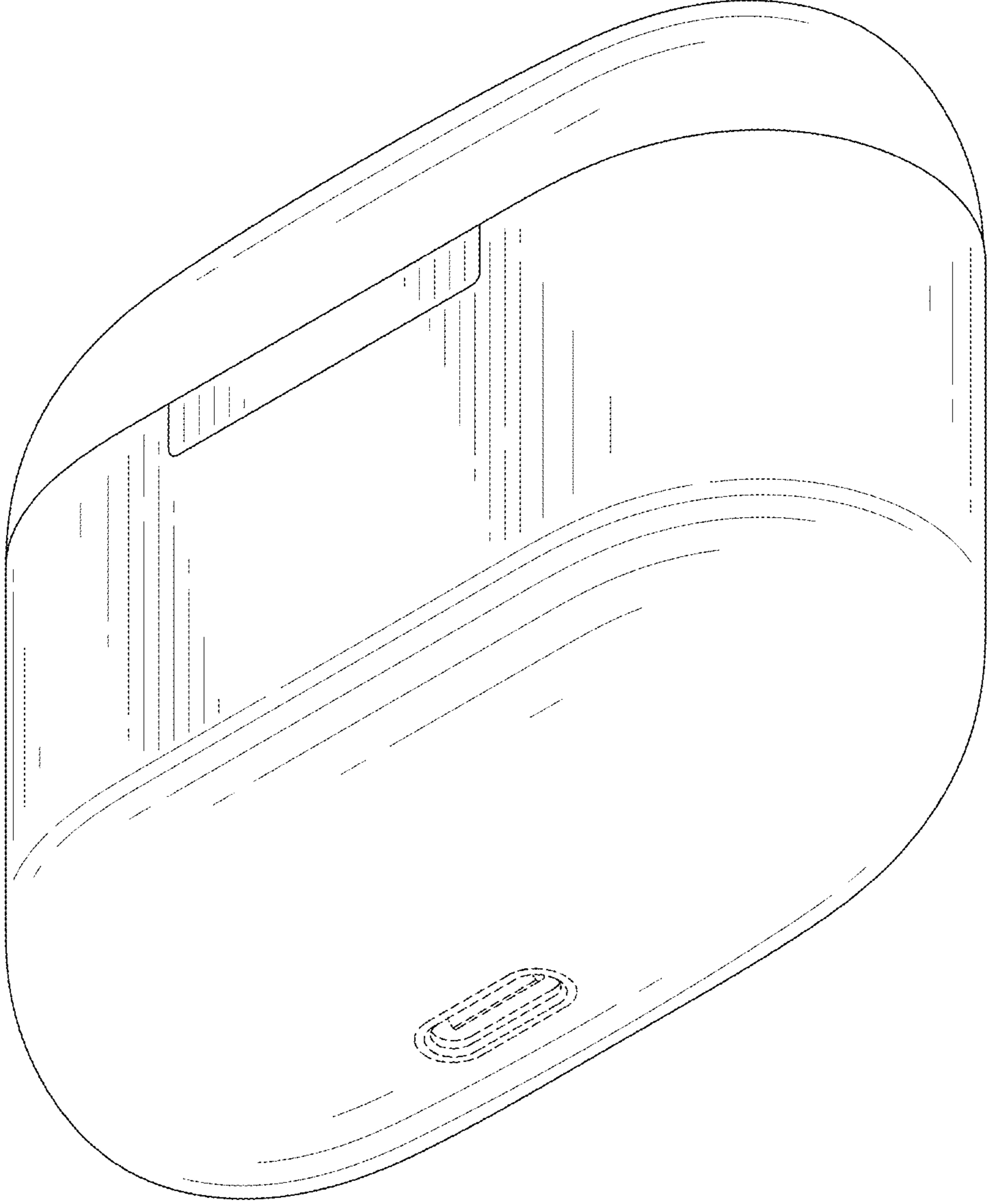


FIG. 8

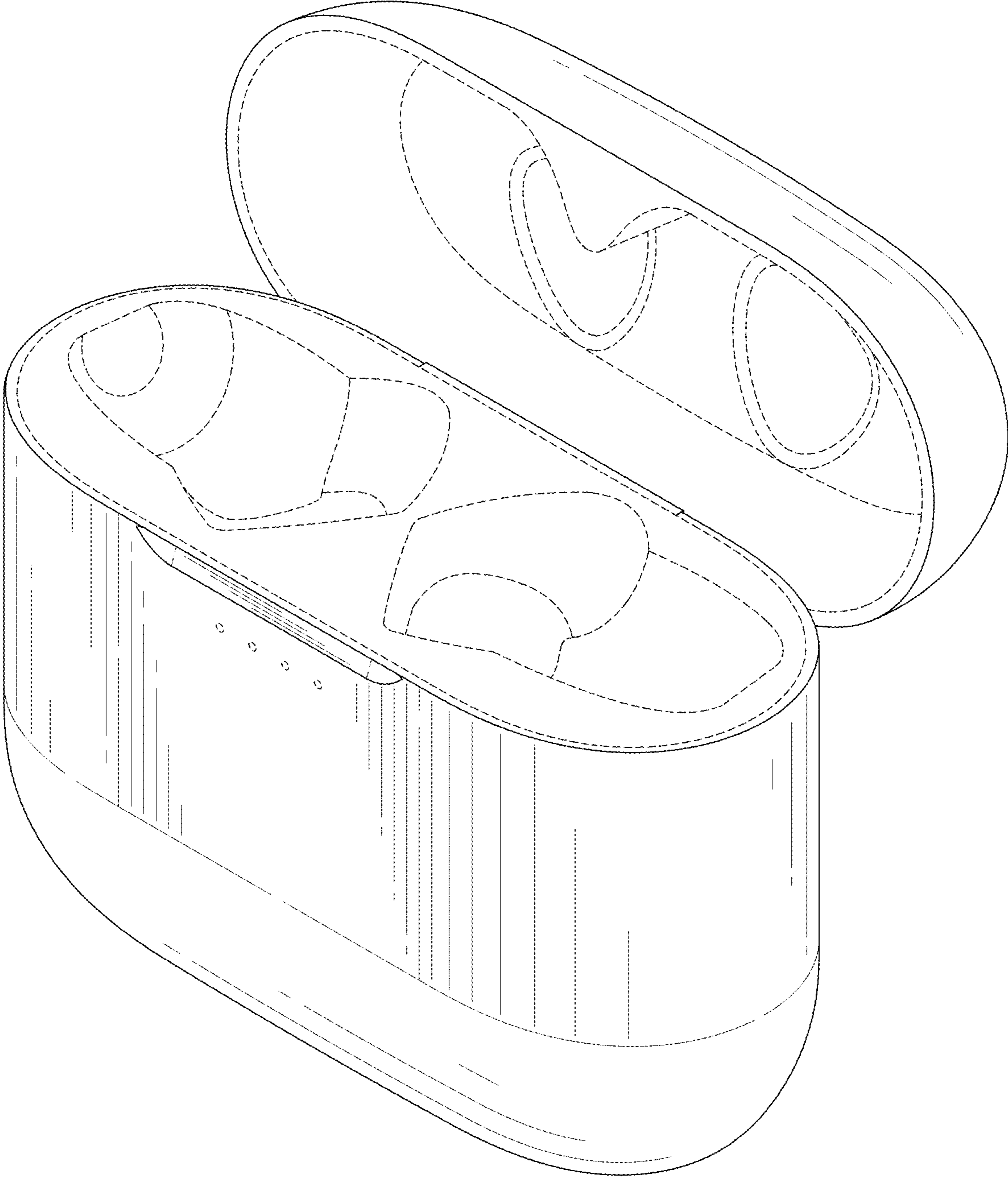


FIG. 9