



US00D922944S

(12) **United States Design Patent**  
**Fu**

(10) **Patent No.:** **US D922,944 S**

(45) **Date of Patent:** **\*\* Jun. 22, 2021**

(54) **PORTABLE POWER DEVICE**

(71) Applicant: **Lion Energy, LLC**, American Fork, UT (US)

(72) Inventor: **Zou Quan Fu**, Huizhou (CN)

(73) Assignee: **Lion Energy, LLC**, American Fork, UT (US)

(\*\*) Term: **15 Years**

(21) Appl. No.: **29/682,919**

(22) Filed: **Mar. 8, 2019**

(51) **LOC (13) Cl.** ..... **13-02**

(52) **U.S. Cl.**

USPC ..... **D13/108**; D13/103

(58) **Field of Classification Search**

USPC ..... D13/103, 107, 108, 110, 137.1–137.4, D13/138.1–138.2, 139.1–139.8, 152, 154, D13/158, 171, 174, 184, 199; D14/250, D14/251, 253, 432, 434

CPC ..... Y02E 60/12; Y02E 60/122; Y02E 60/124; Y02E 60/50; H01M 2/02; H01M 2/022; H01M 2/0202; H01M 2/0207; H01M 2/0212; H01M 2/1061; H01M 2/1022; H01M 2/1055; H01M 2/1066; H01M 2/105; H01M 2/204; H01M 2/202; H01M 2/206; H01M 10/4257; H01M 10/0436; H01M 10/48; H01M 10/44; H01M 10/46; H01M 10/465; H01M 10/482; H01R 11/00; H01R 9/00; H01R 13/00; H01R 13/04; H01R 13/10; H01R 13/6666; H01R 13/6675; H01R 25/00; H01R 25/006; H01H 2207/00; H01H 2207/022

See application file for complete search history.

(56) **References Cited**

**U.S. PATENT DOCUMENTS**

D815,039 S \* 4/2018 Wen ..... D13/110  
D837,149 S \* 1/2019 Yin ..... D13/108

D856,924 S \* 8/2019 Yang ..... D13/108  
D874,395 S \* 2/2020 Sun ..... D13/107  
D874,397 S \* 2/2020 Sun ..... D13/107  
D874,398 S \* 2/2020 Sun ..... D13/107  
D875,037 S \* 2/2020 Hung ..... D13/107  
D881,808 S \* 4/2020 Sun ..... D13/108  
D883,206 S \* 5/2020 Bai ..... D13/110  
D886,047 S \* 6/2020 Hung ..... D13/107

**OTHER PUBLICATIONS**

YouTube.com: Lion Safari LT Unboxing. Published Jun. 20, 2019. Retrieved from the internet at <[https://www.youtube.com/watch?v=XvmQrJkYIVw&feature=emb\\_logo](https://www.youtube.com/watch?v=XvmQrJkYIVw&feature=emb_logo)>, Jun. 16, 2020. 1 page. (Year: 2019).\*

\* cited by examiner

*Primary Examiner* — Christy Nemeth

(74) *Attorney, Agent, or Firm* — Terrence J. Edwards; TechLaw Ventures, PLLC

(57) **CLAIM**

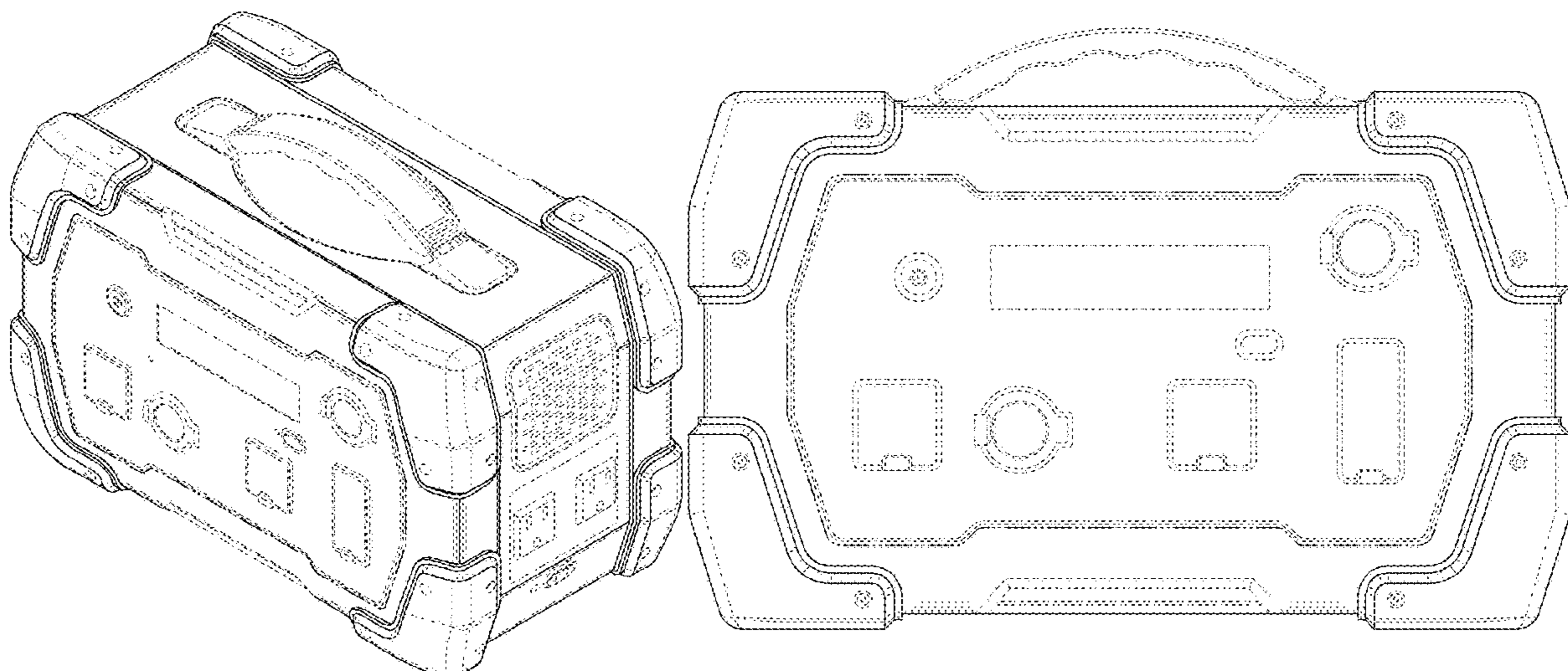
I claim the ornamental design for a portable power device, as shown and described.

**DESCRIPTION**

FIG. 1 is a perspective view of the new portable power device design;  
FIG. 2 is a top view thereof;  
FIG. 3 is a bottom view thereof;  
FIG. 4 is a front view thereof;  
FIG. 5 is a rear view thereof;  
FIG. 6 is a side view thereof; and,  
FIG. 7 is an opposite side view thereof.

The dash-dash broken lines in the drawings illustrate portions of the article that form no part of the claimed design. The dash-dot-dot-dash lines in the drawings illustrate a boundary, with the portions within the boundary forming no part of the claimed design.

**1 Claim, 7 Drawing Sheets**



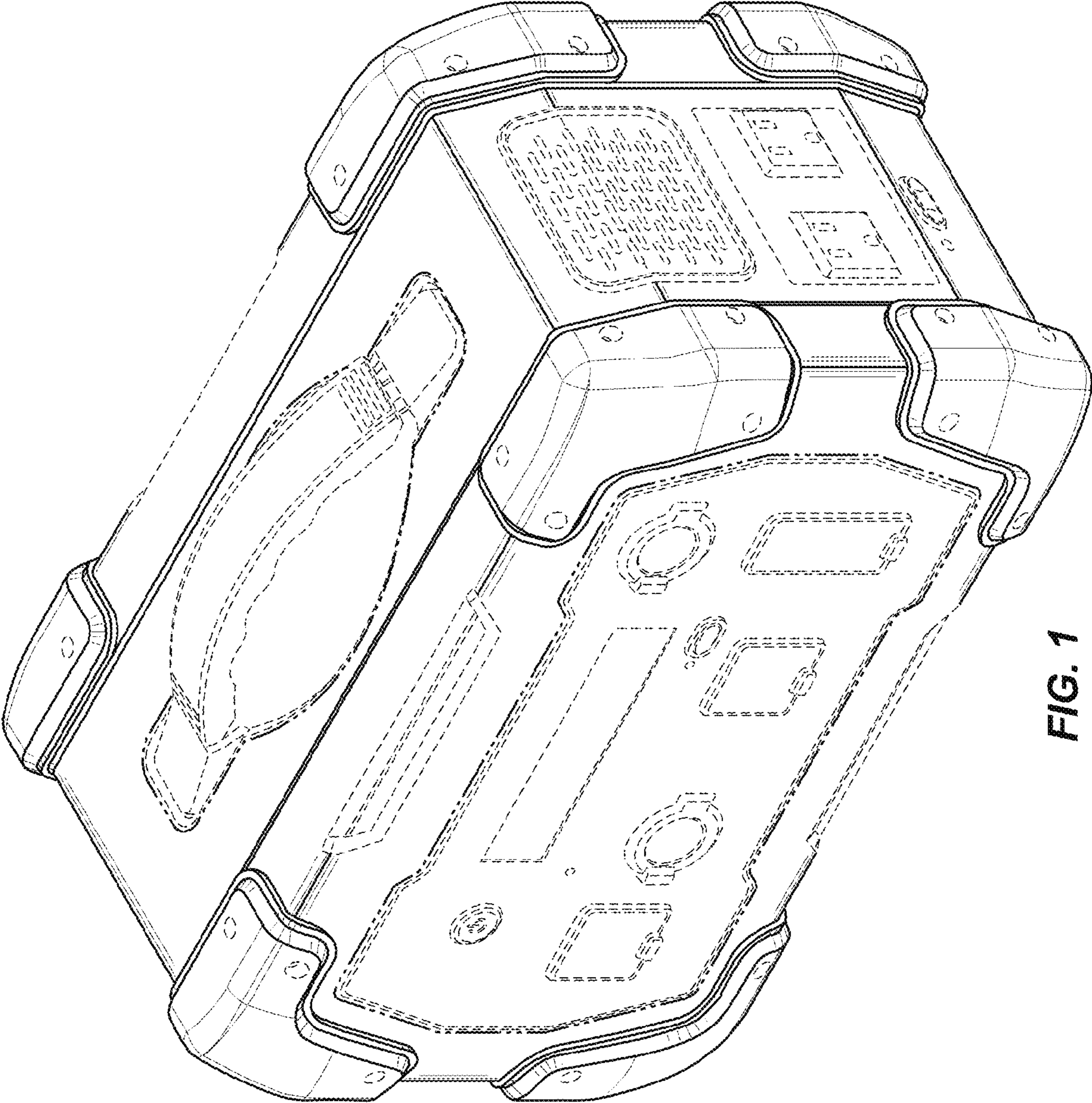


FIG. 1

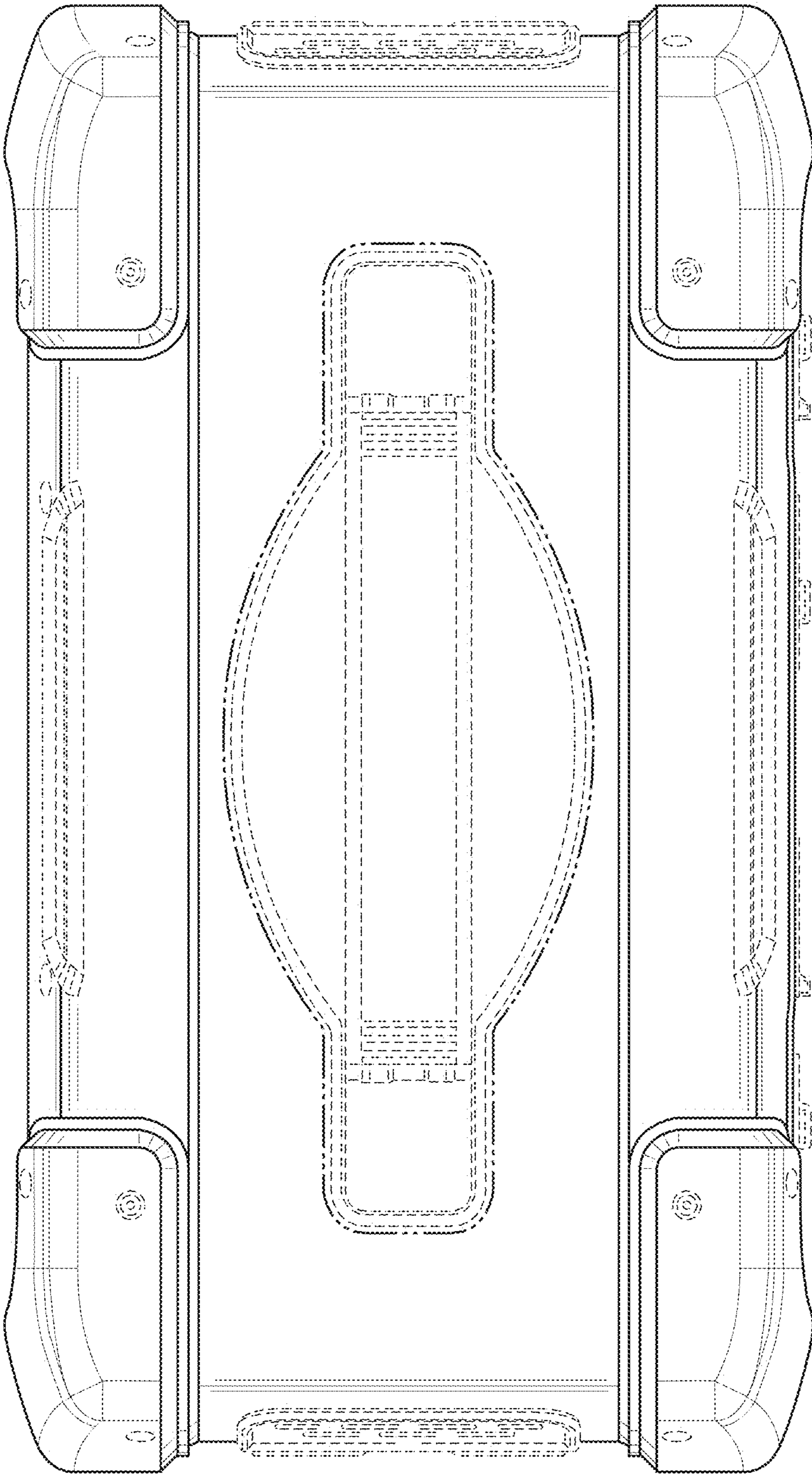


FIG. 2

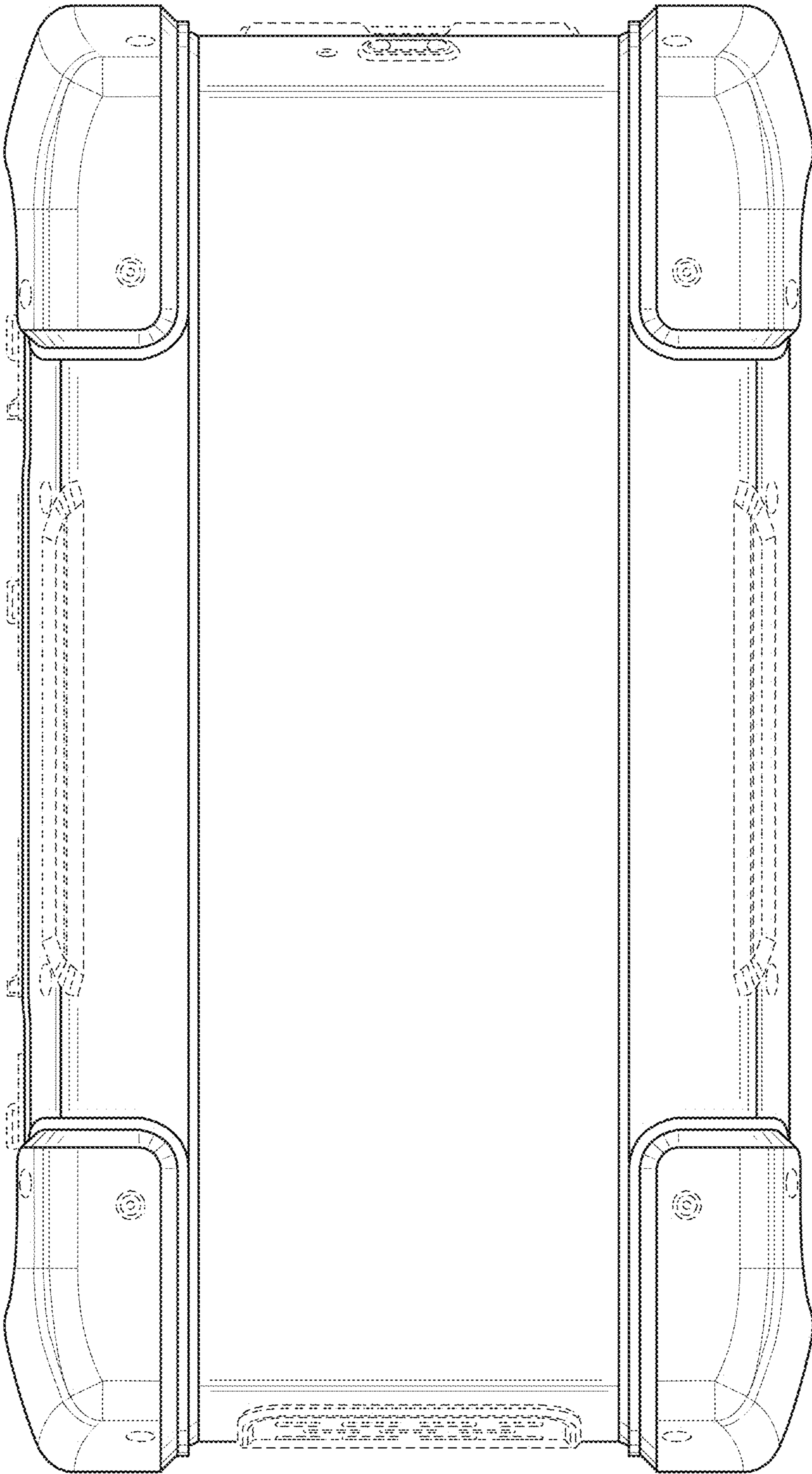


FIG. 3

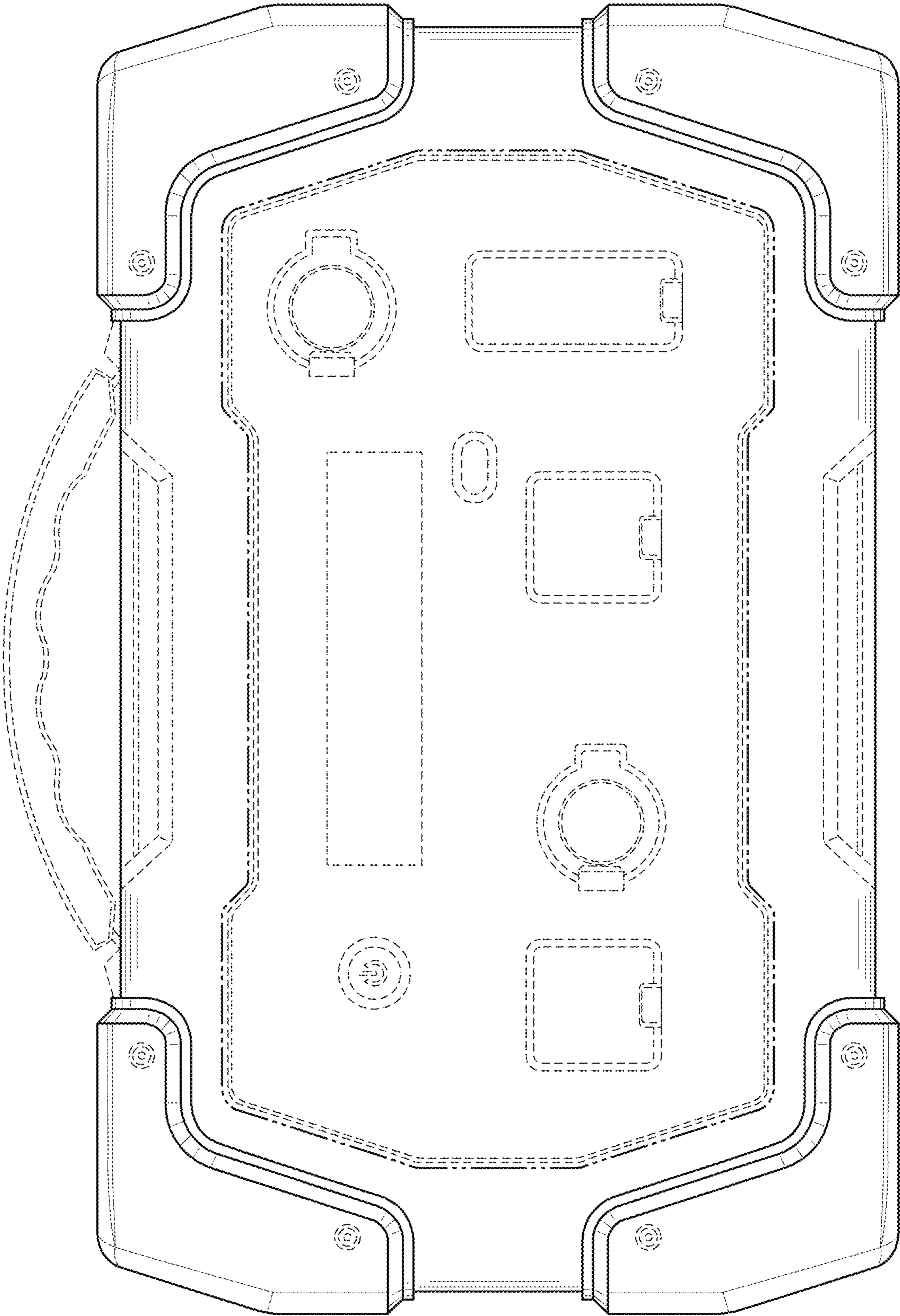


FIG. 4

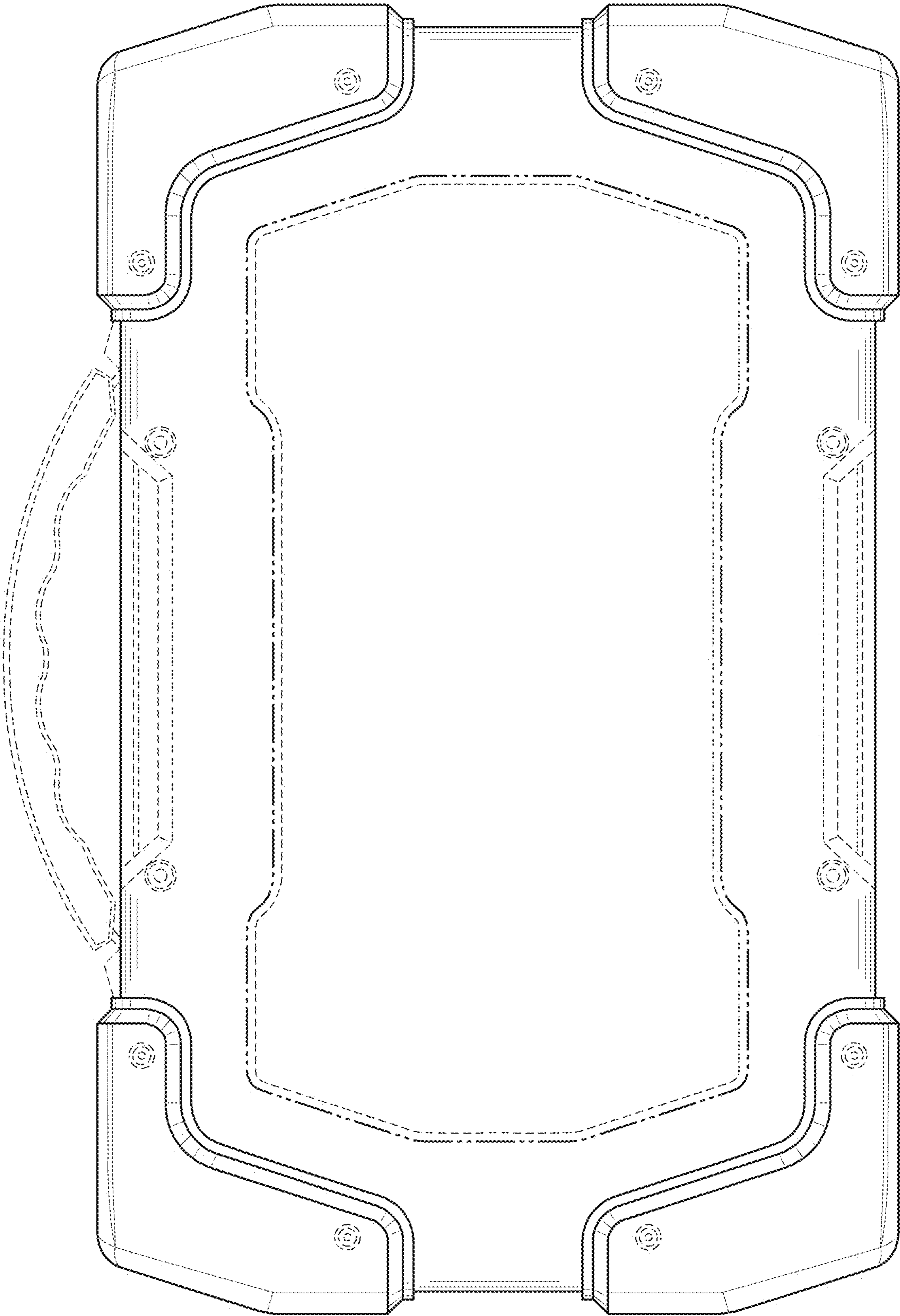


FIG. 5

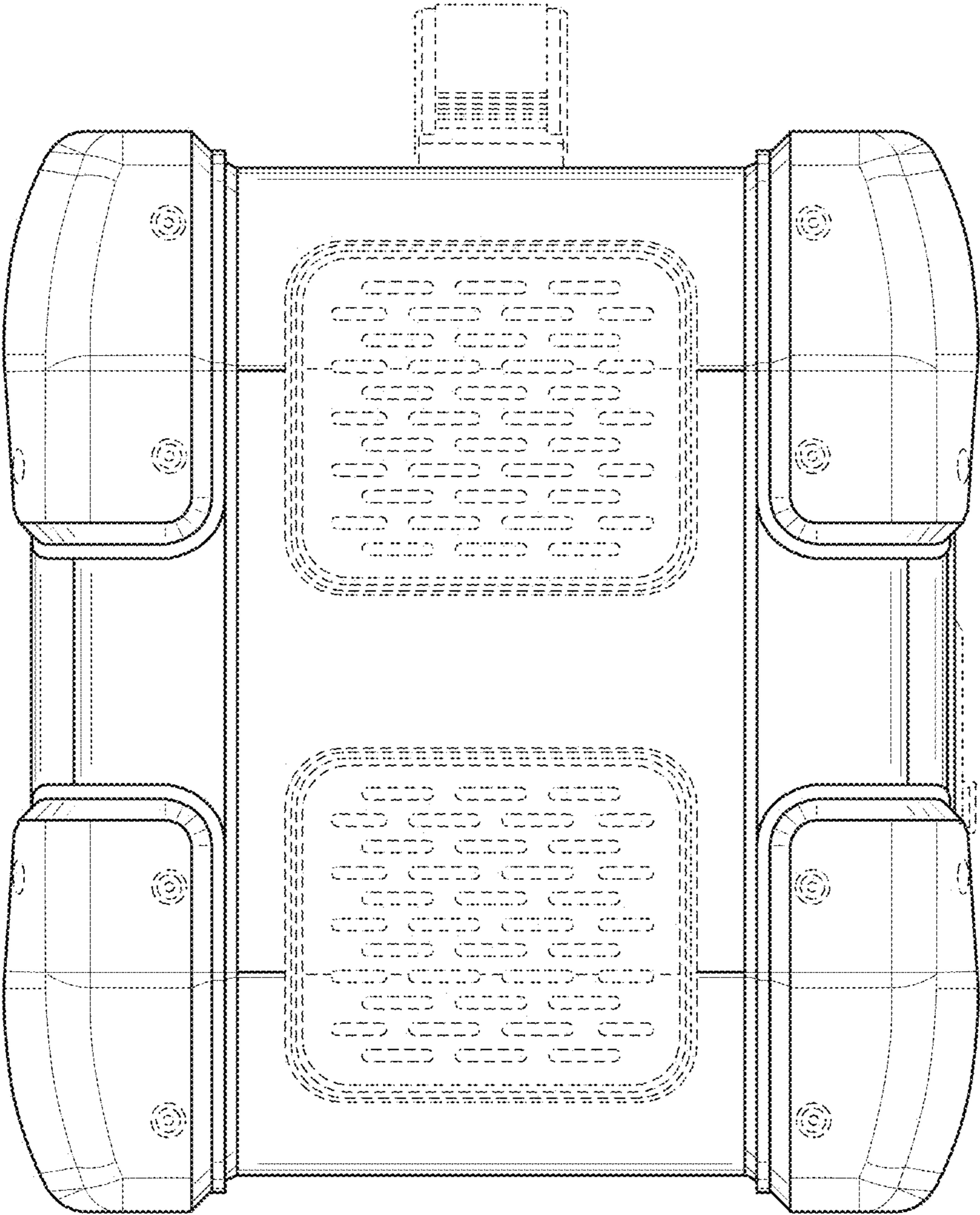


FIG. 6

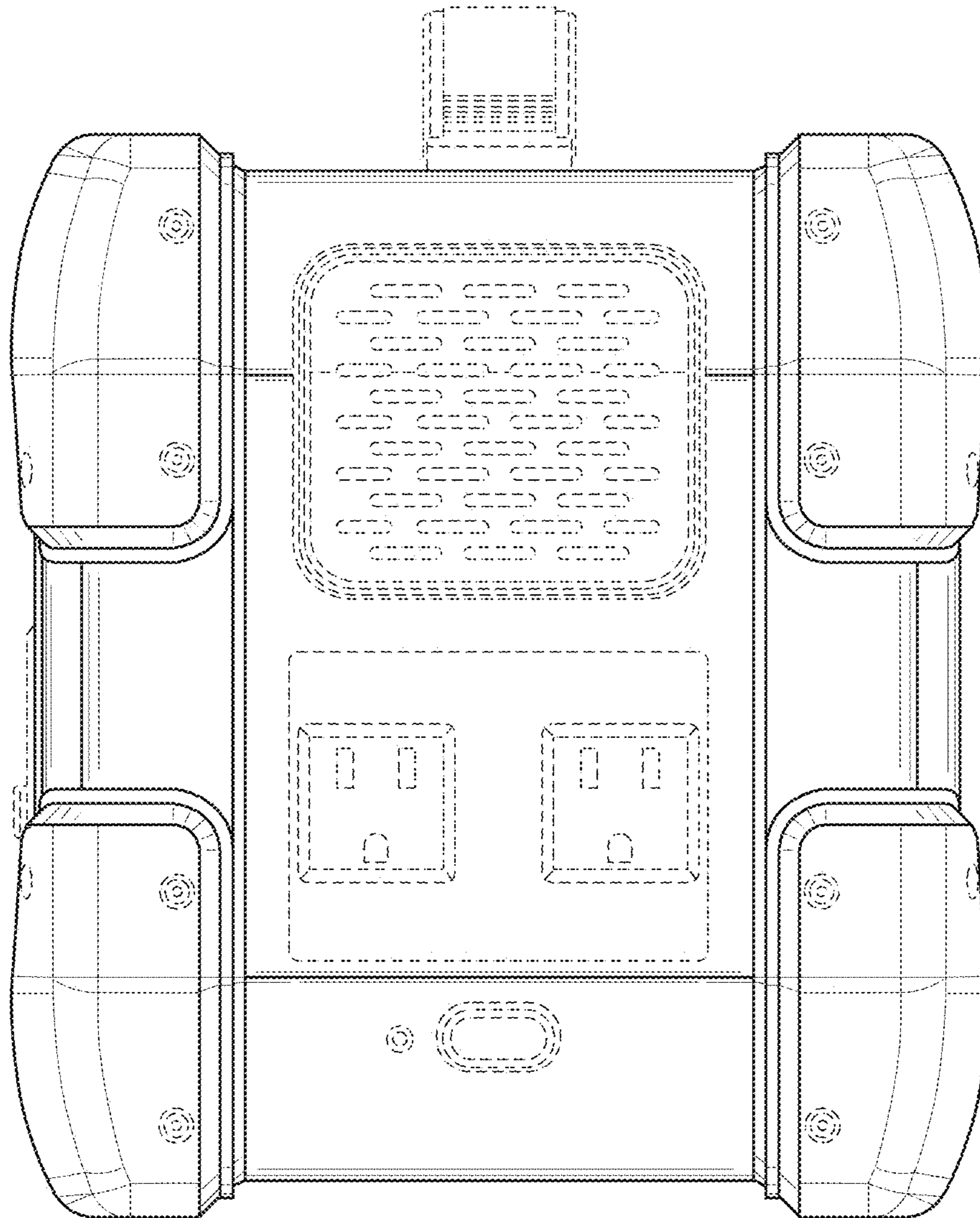


FIG. 7