



US00D922941S

(12) **United States Design Patent**
Antonio et al.

(10) **Patent No.:** **US D922,941 S**
(45) **Date of Patent:** **** Jun. 22, 2021**

(54) **BATTERY**

(71) Applicant: **Clarius Mobile Health Corp.**, Burnaby (CA)

(72) Inventors: **Alex Barcenas Antonio**, Burnaby (CA); **Daniel Christian Rahardja**, Burnaby (CA); **Binda Zhang**, Surrey (CA)

(73) Assignee: **Clarius Mobile Health Corp.**, Vancouver (CA)

(**) Term: **15 Years**

(21) Appl. No.: **29/690,194**

(22) Filed: **May 6, 2019**

(51) **LOC (13) Cl.** **13-02**

(52) **U.S. Cl.**
USPC **D13/103**

(58) **Field of Classification Search**
USPC D13/102–106, 110, 118–119, 184
CPC Y02E 60/12; Y02E 60/122; Y02E 60/124;
Y02E 60/50; H01M 2/02; H01M 2/022;
H01M 2/0202; H01M 2/0207; H01M 2/0212;
H01M 2/1061; H01M 2/1022;
H01M 2/1055; H01M 2/1066; H01M 2/105;
H01M 2/204; H01M 2/1016; H01M 2200/00;
H01M 10/4257; H01M 10/0436; H01M 10/48;
H01M 10/42
See application file for complete search history.

(56) **References Cited**

U.S. PATENT DOCUMENTS

D400,496 S 11/1998 Barber et al.
D402,955 S * 12/1998 Smith D13/103

D403,298 S * 12/1998 Hall D13/103
D403,300 S * 12/1998 Renk D13/103
D407,063 S * 3/1999 Reis, Jr. D13/103
D434,722 S 12/2000 Zolyomi et al.
D493,772 S * 8/2004 Veino D13/110
D523,393 S * 6/2006 Meier D13/103
D543,125 S * 5/2007 Feibelman D10/106.9
D546,277 S * 7/2007 Andre D13/103
D632,648 S 2/2011 Yang
D659,095 S * 5/2012 McManigal D13/110
D744,110 S * 11/2015 Kubo D24/186
D802,528 S 11/2017 Zhang et al.
D835,574 S * 12/2018 Trongone D13/103
D873,766 S * 1/2020 Ansehn D13/103
D886,046 S * 6/2020 Lim D13/103

* cited by examiner

Primary Examiner — Nathaniel D. Buckner

(74) *Attorney, Agent, or Firm* — Julian Ho

(57) **CLAIM**

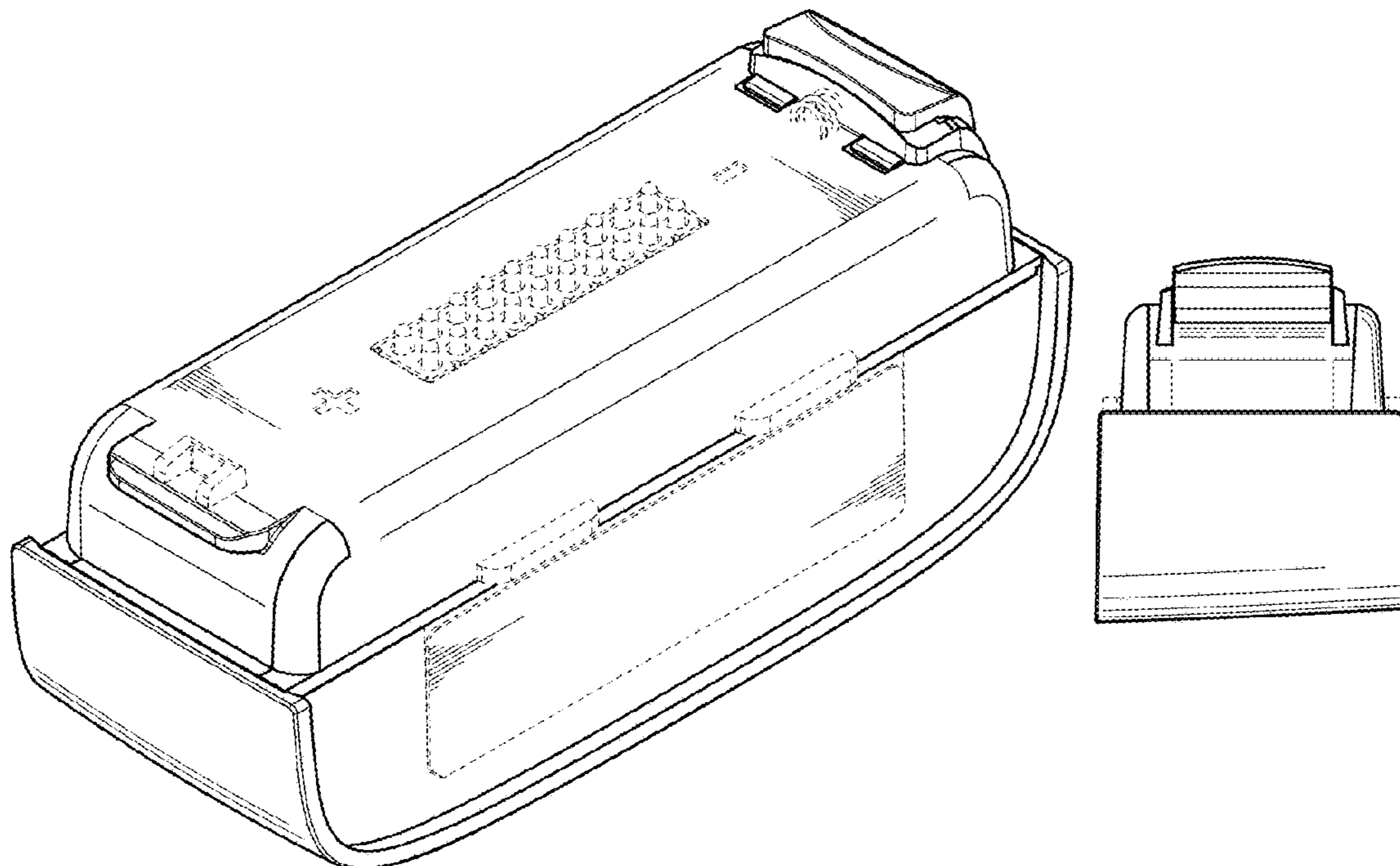
The ornamental design for a battery, as shown and described.

DESCRIPTION

FIG. 1 is a front perspective view of a battery showing our new design;
FIG. 2 is a rear perspective view thereof;
FIG. 3 is a top view thereof;
FIG. 4 is a front view thereof;
FIG. 5 is a right side view thereof;
FIG. 6 is a left side view thereof;
FIG. 7 is a rear view thereof; and,
FIG. 8 is a bottom view thereof.

The broken lines shown in the figures depict portions of the battery that form no part of the claimed design.

1 Claim, 3 Drawing Sheets



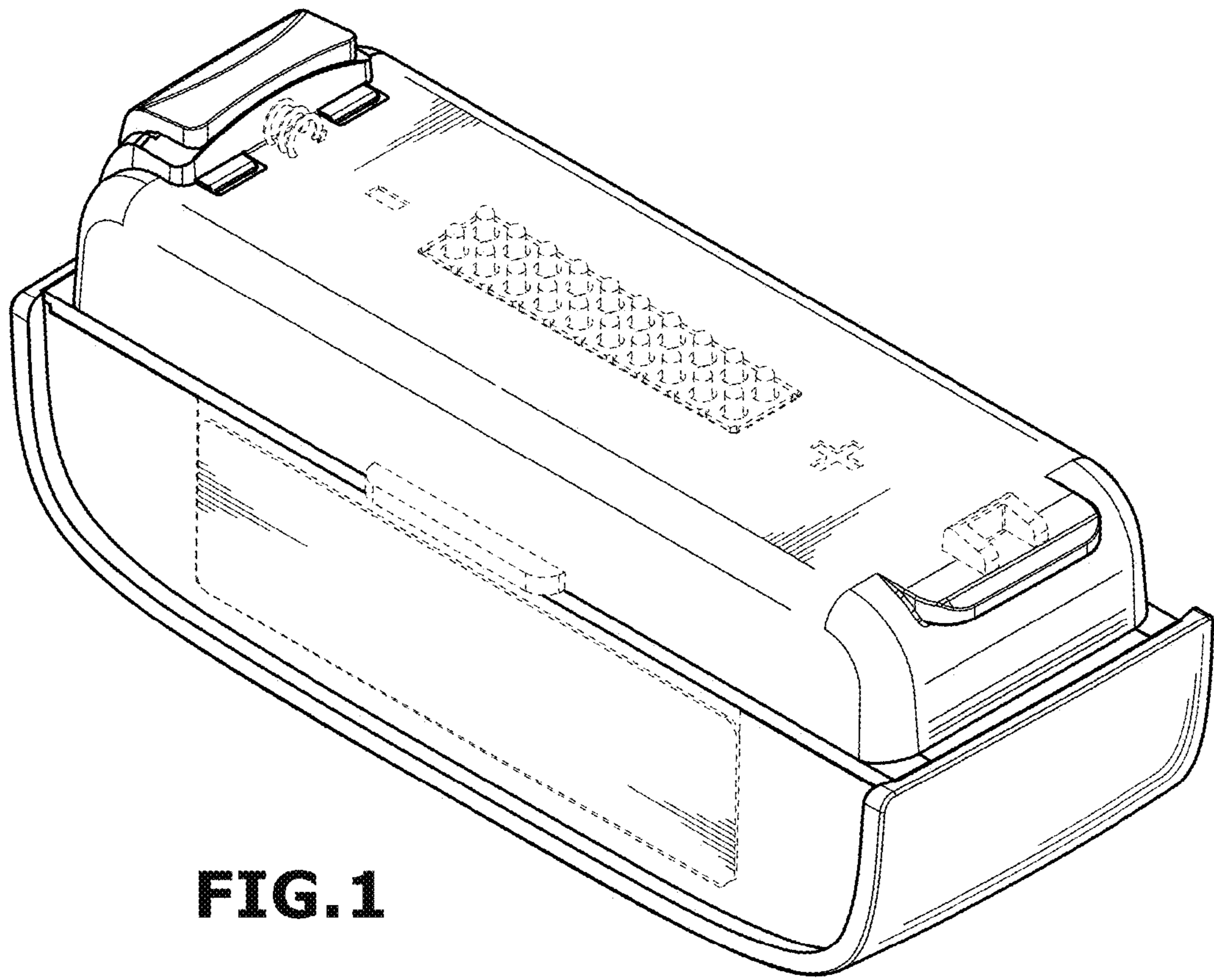


FIG. 1

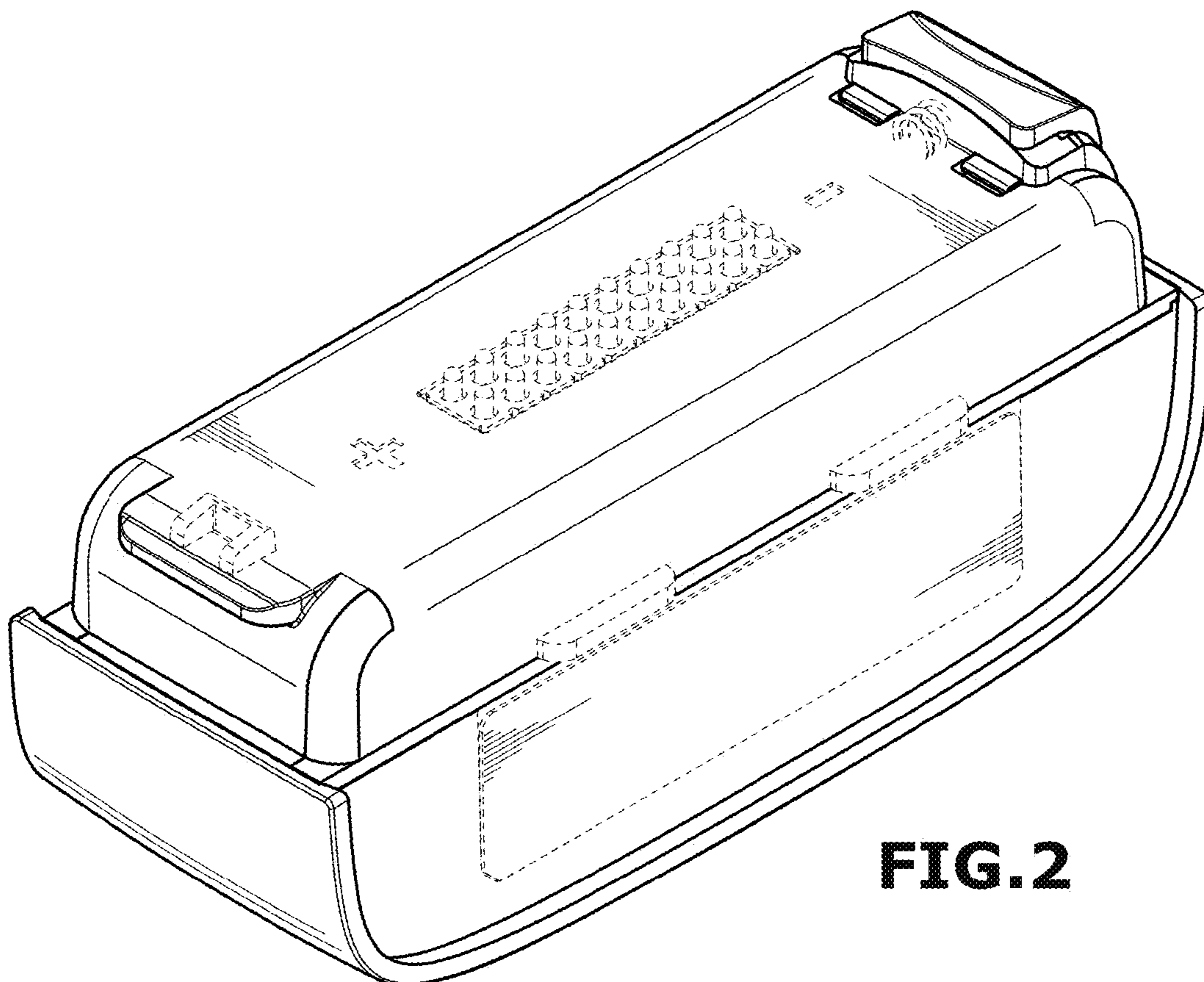


FIG. 2

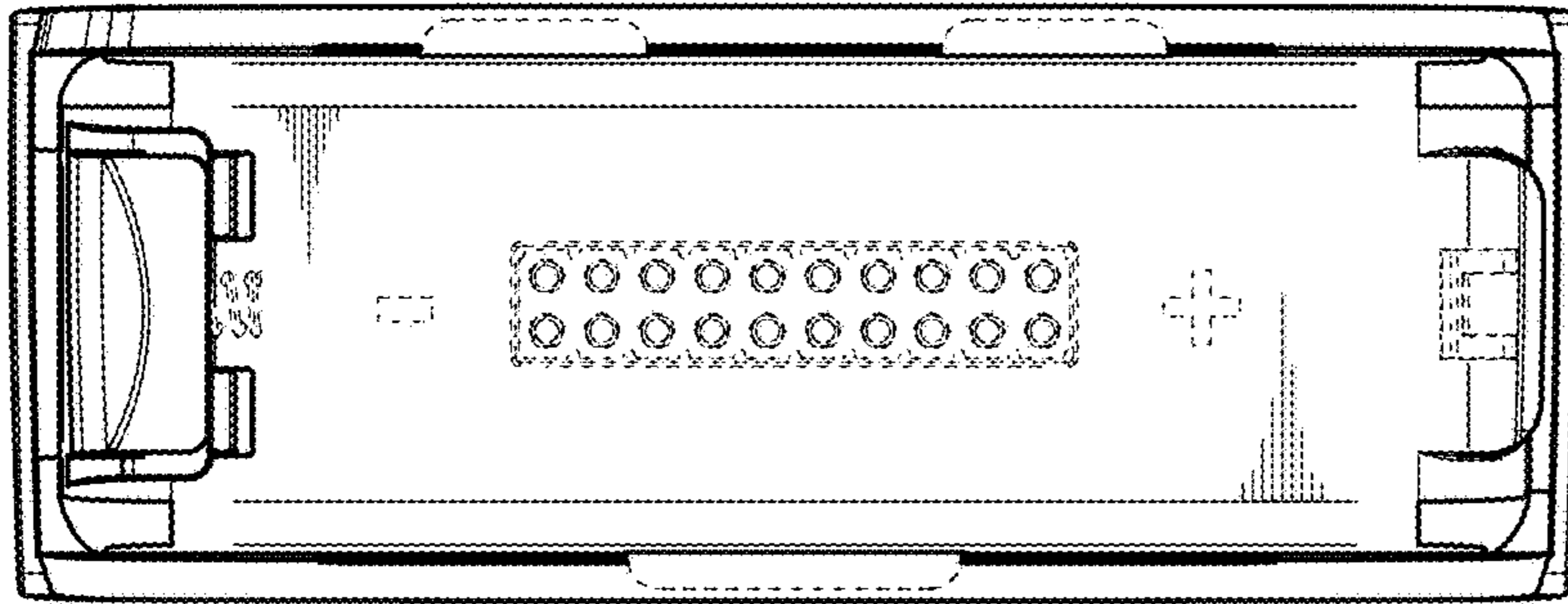


FIG. 3

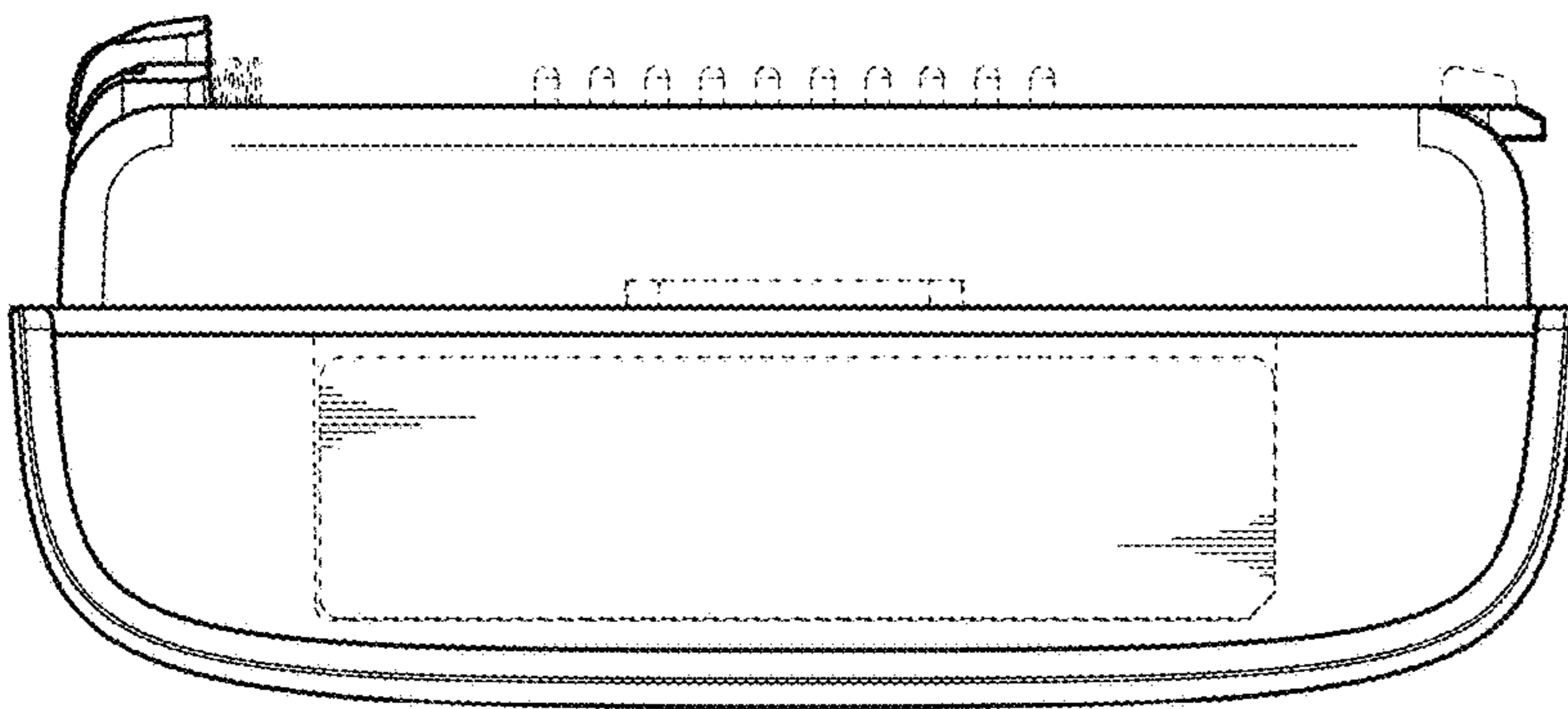


FIG. 4

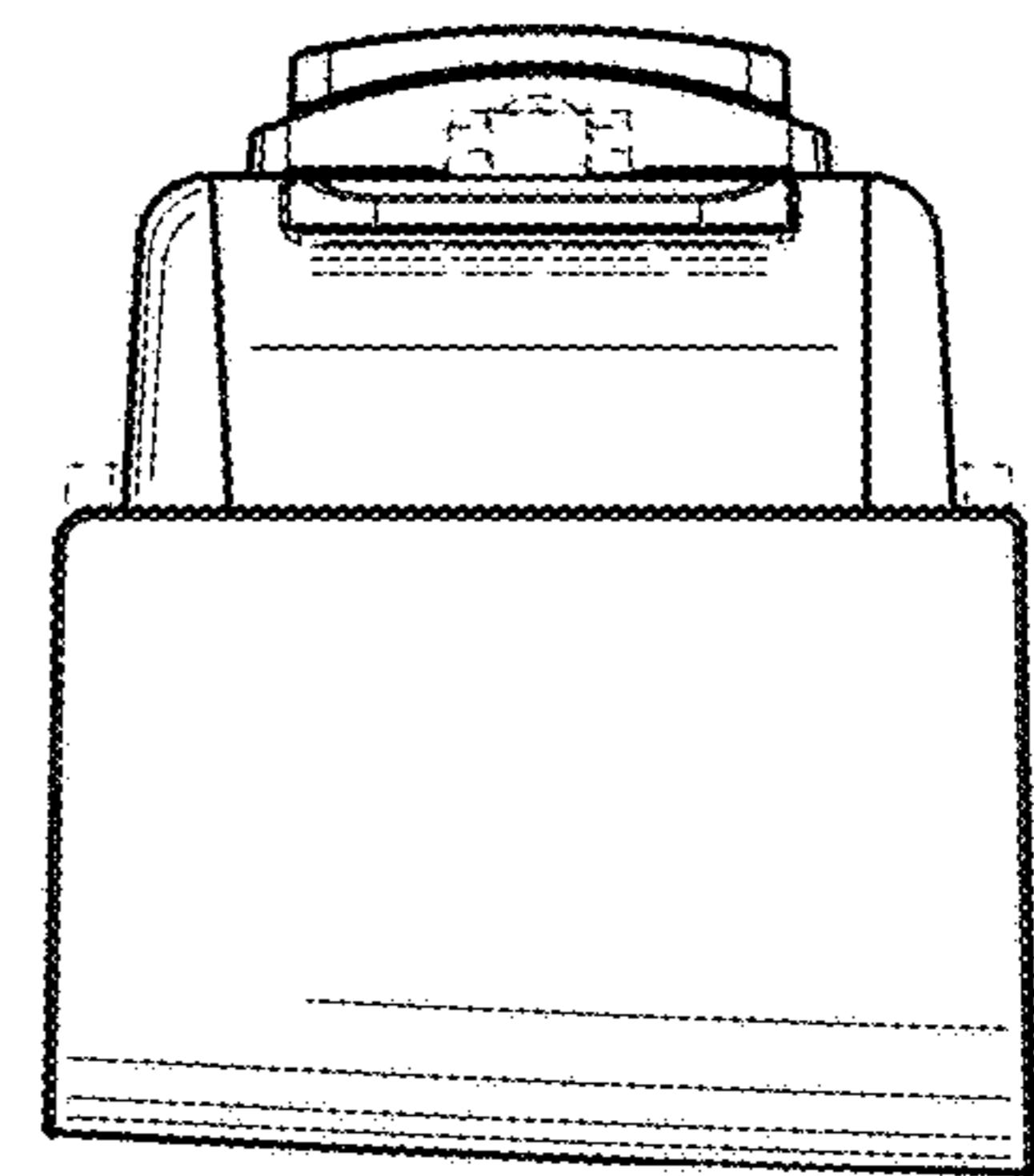


FIG. 5

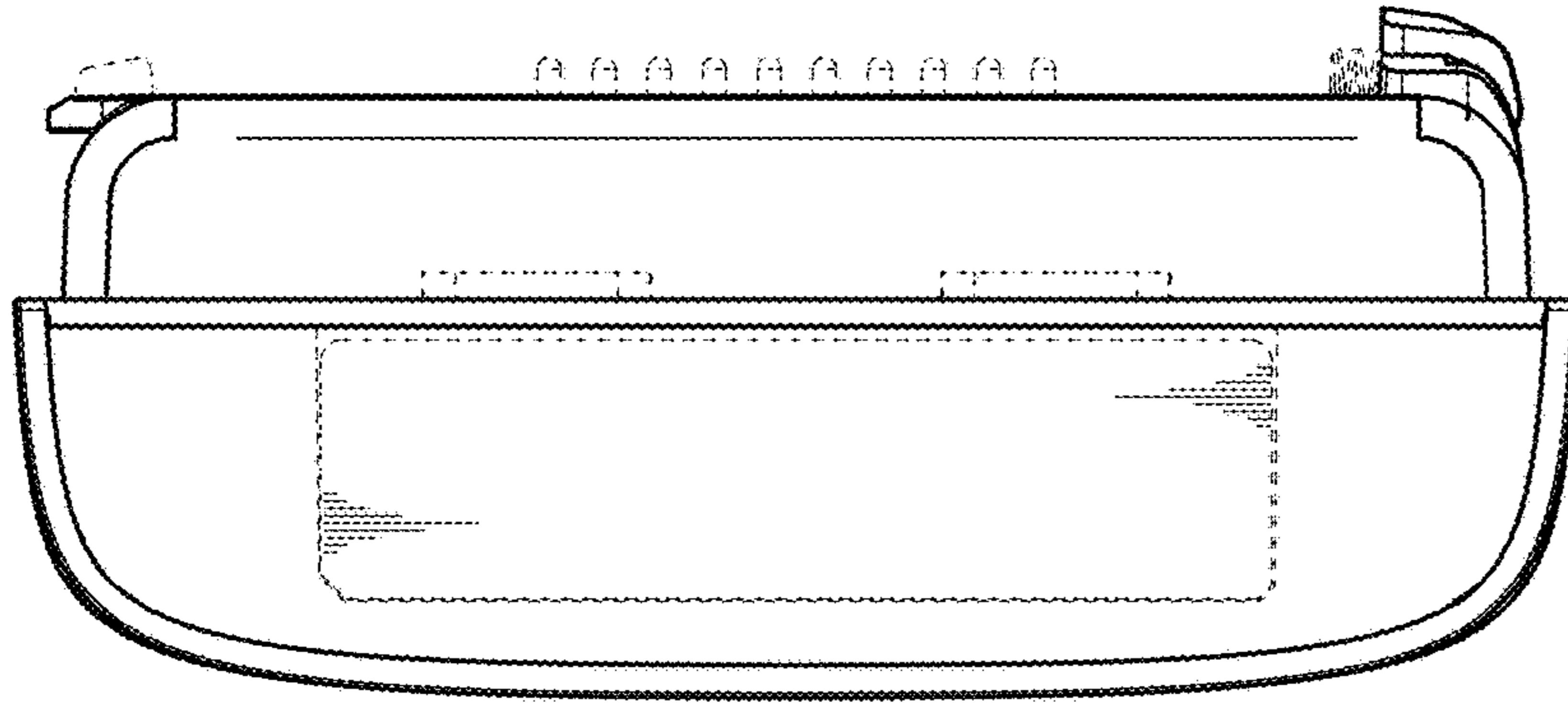


FIG. 7

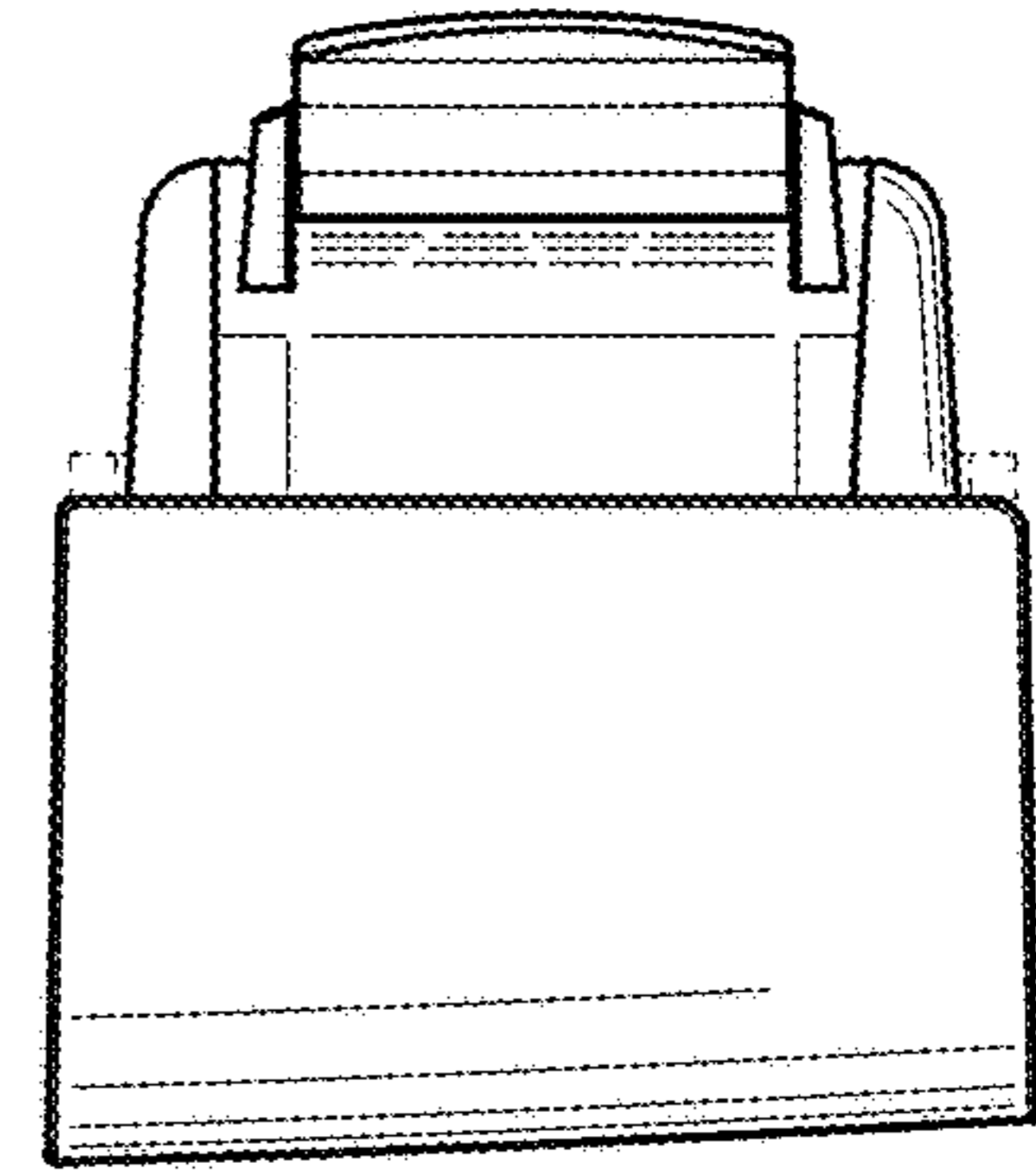


FIG. 6

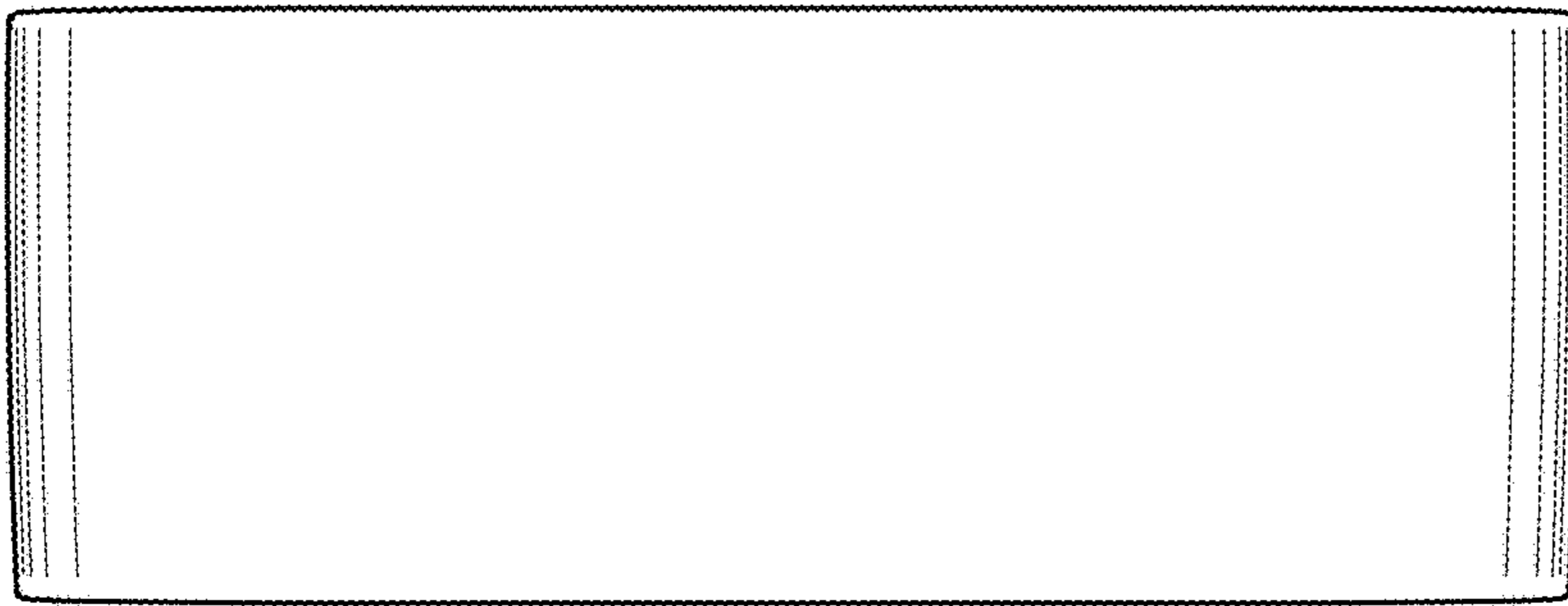


FIG. 8