



US00D922940S

(12) **United States Design Patent**  
**Ye et al.**

(10) **Patent No.:** **US D922,940 S**  
(45) **Date of Patent:** **\*\* Jun. 22, 2021**

(54) **BATTERY PACK**

(71) Applicant: **Shenzhen Allsight E-business Co., Ltd.**, Shenzhen (CN)

(72) Inventors: **Shisuo Ye**, Shenzhen (CN); **Peihong Chen**, Shenzhen (CN)

(73) Assignee: **Shenzhen Allsight E-business Co., Ltd.**, Shenzhen (CN)

(\*\*) Term: **15 Years**

(21) Appl. No.: **29/684,620**

(22) Filed: **Mar. 22, 2019**

(51) **LOC (13) Cl.** ..... **13-02**

(52) **U.S. Cl.**  
USPC ..... **D13/103**

(58) **Field of Classification Search**  
USPC ..... D13/103, 107, 108, 110, 137.1–137.4,  
D13/138.1–138.2, 139.1–139.8, 152, 154,  
D13/158, 171, 174, 184, 199; D14/250,  
D14/251, 253, 432, 434

CPC ..... Y02E 60/12; Y02E 60/122; Y02E 60/124;  
Y02E 60/50; H01M 2/02; H01M 2/022;  
H01M 2/0202; H01M 2/0207; H01M  
2/0212; H01M 2/1061; H01M 2/1022;  
H01M 2/1055; H01M 2/1066; H01M  
2/105; H01M 2/204; H01M 2/202; H01M  
2/206; H01M 10/4257; H01M 10/0436;  
H01M 10/48; H01M 10/44; H01M 10/46;  
H01M 10/465; H01M 10/482; H01R  
11/00; H01R 9/00; H01R 13/00; H01R  
13/04; H01R 13/10; H01R 13/6666;  
H01R 13/6675; H01R 25/00; H01R  
25/006; H01H 2207/00; H01H 2207/022

See application file for complete search history.

(56) **References Cited**

U.S. PATENT DOCUMENTS

D589,440 S \* 3/2009 Van Wambeke ..... D13/103  
D589,441 S \* 3/2009 Van Wambeke ..... D13/103

D622,661 S \* 8/2010 Yamada ..... D13/103  
D640,196 S \* 6/2011 Shuang ..... D13/119  
D640,197 S \* 6/2011 Park ..... D13/119  
D640,628 S \* 6/2011 Lopano ..... D13/103  
D640,975 S \* 7/2011 Okuda ..... D13/103  
D643,809 S \* 8/2011 Okuda ..... D13/103  
D658,578 S \* 5/2012 Davis ..... D13/103  
D682,194 S \* 5/2013 Jiang ..... D13/103  
D684,528 S \* 6/2013 Murray ..... D13/103  
D699,670 S \* 2/2014 Cooper ..... D13/103  
D710,794 S \* 8/2014 Busschaert ..... D13/103  
D718,705 S \* 12/2014 Naksen ..... D13/103  
D780,687 S \* 3/2017 Taniguchi ..... D13/103  
D780,688 S \* 3/2017 Elder ..... D13/103  
D800,650 S \* 10/2017 Itoh ..... D13/103  
D812,555 S \* 3/2018 Schoch ..... D13/103  
D818,948 S \* 5/2018 Waldron ..... D13/103  
D826,149 S \* 8/2018 Cooper ..... D13/103  
D826,150 S \* 8/2018 Cayon ..... D13/103  
D844,558 S \* 4/2019 Taniguchi ..... D13/103

(Continued)

Primary Examiner — Christy Nemeth

(57) **CLAIM**

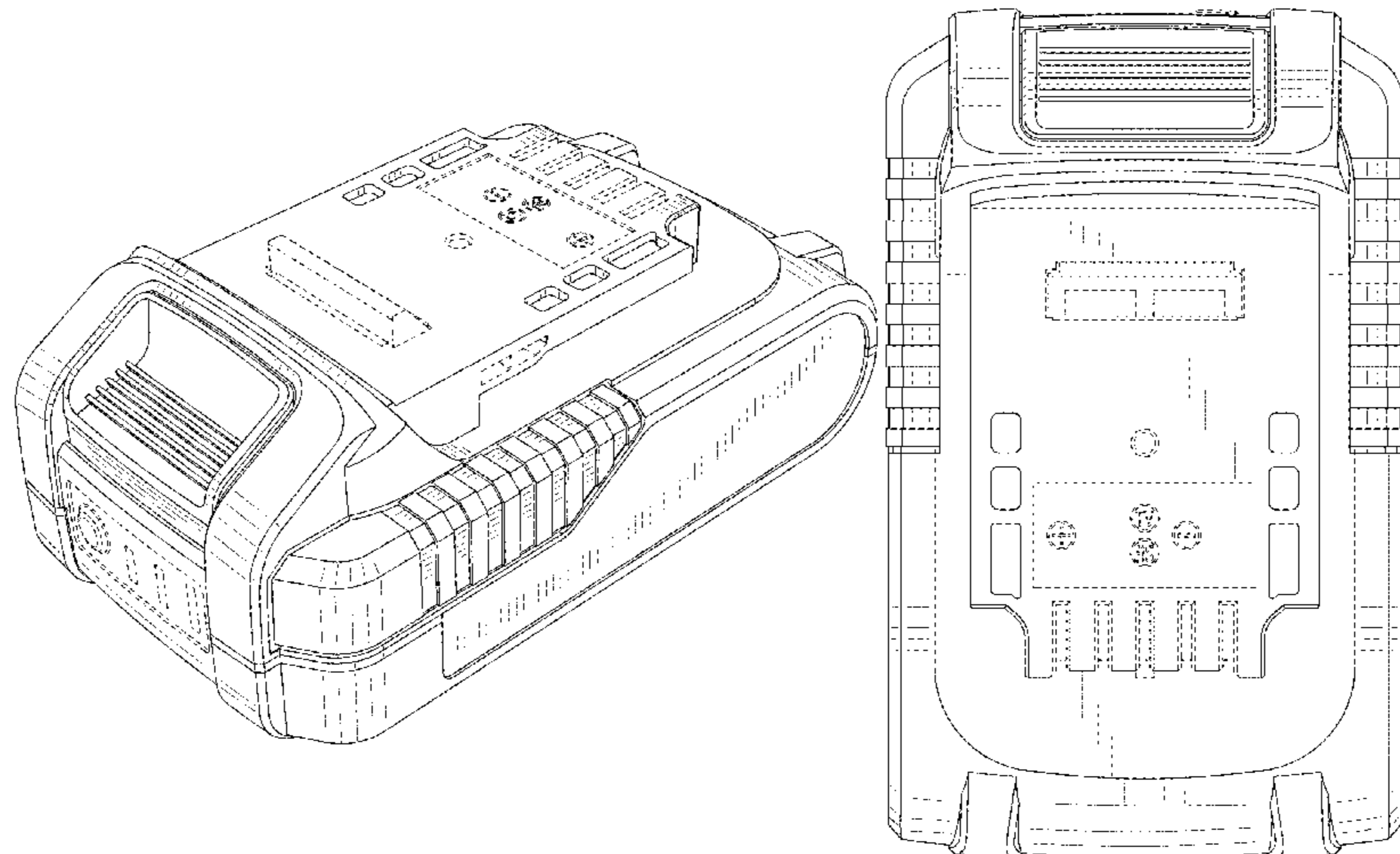
The ornamental design for a battery pack, as shown and described.

**DESCRIPTION**

FIG. 1 is a top right side perspective view of a battery pack, showing our new design;  
FIG. 2 is a front elevation view thereof;  
FIG. 3 is a rear elevation view thereof;  
FIG. 4 is a top plan view thereof;  
FIG. 5 is a bottom plan view thereof;  
FIG. 6 is a left side view thereof; and,  
FIG. 7 is a right side view thereof.

The broken lines in the drawings depict portions of the battery pack that form no part of the claimed design.

**1 Claim, 7 Drawing Sheets**



(56)

**References Cited**

## U.S. PATENT DOCUMENTS

D856,921 S \* 8/2019 Lee ..... D13/103  
D876,340 S \* 2/2020 Song ..... D13/103  
D881,119 S \* 4/2020 Elder ..... D13/103  
D883,918 S \* 5/2020 Roberts ..... D13/103  
D884,600 S \* 5/2020 Zhou ..... D13/103  
D884,601 S \* 5/2020 Zhou ..... D13/103  
D891,363 S \* 7/2020 Roberts ..... D13/103  
D893,411 S \* 8/2020 Roberts ..... D13/103  
D894,120 S \* 8/2020 Timm ..... D13/103  
D898,662 S \* 10/2020 Waldron ..... D13/103  
2010/0112435 A1 \* 5/2010 Hanawa ..... H01M 2/1022  
429/178  
2014/0106195 A1 \* 4/2014 Milbourne ..... H01M 2/1066  
429/99  
2014/0272516 A1 \* 9/2014 Tennison ..... H01M 10/613  
429/120  
2014/0272517 A1 \* 9/2014 Glasgow ..... H01M 10/6554  
429/120  
2016/0126533 A1 \* 5/2016 Velderman ..... H01M 10/425  
429/97  
2016/0241065 A1 \* 8/2016 Kondo ..... H01M 2/1022  
2016/0293909 A1 \* 10/2016 O'Sullivan ..... H01M 16/00  
2017/0338452 A1 \* 11/2017 Varipatis ..... H01M 2/30  
2018/0130980 A1 \* 5/2018 Ogura ..... H01M 2/02  
2018/0198294 A1 \* 7/2018 Sheeks ..... H02J 7/0091  
2019/0312242 A1 \* 10/2019 Barton ..... H01M 10/488  
2020/0127339 A1 \* 4/2020 Nakano ..... H01M 10/44

\* cited by examiner

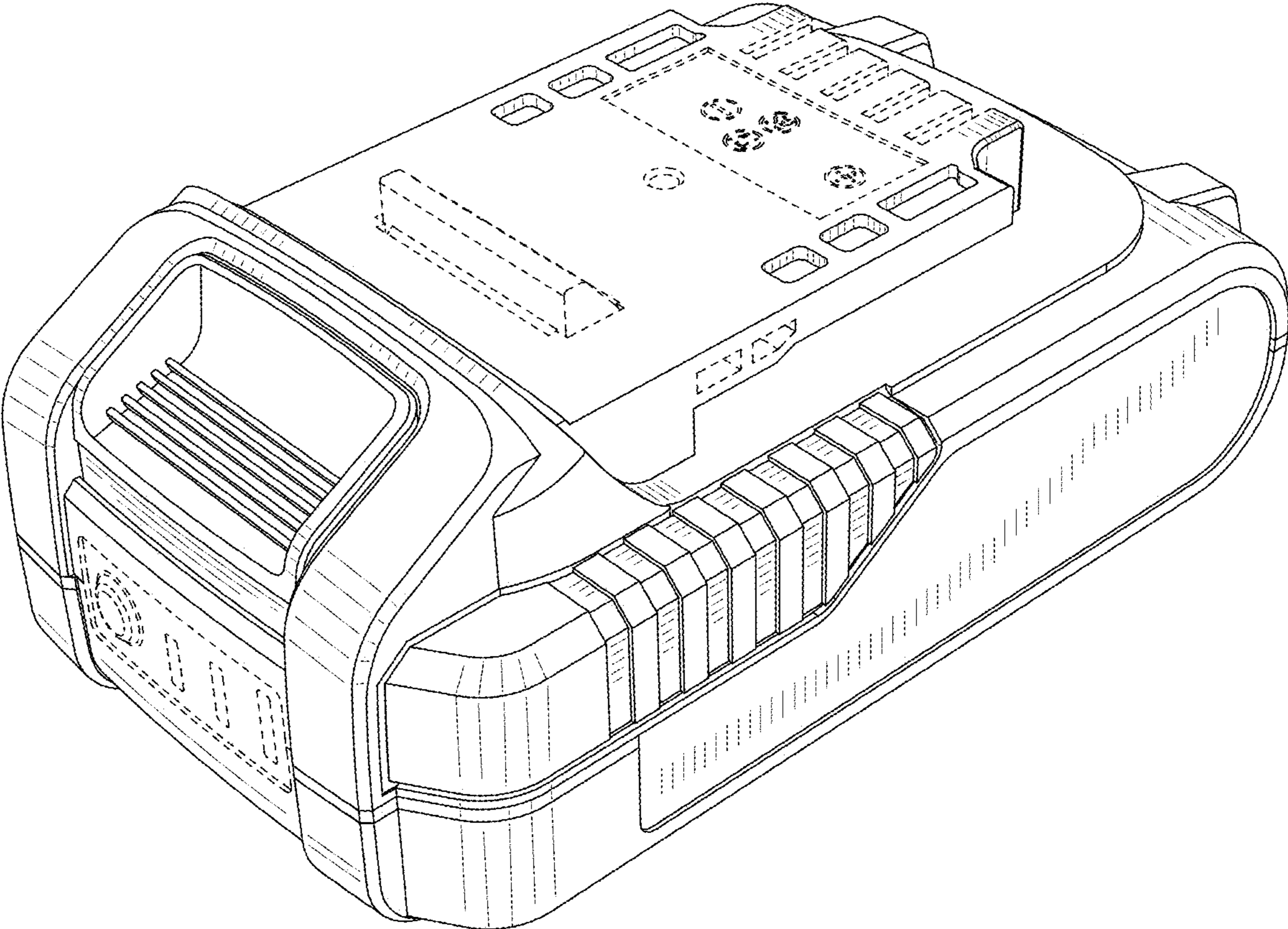


FIG. 1



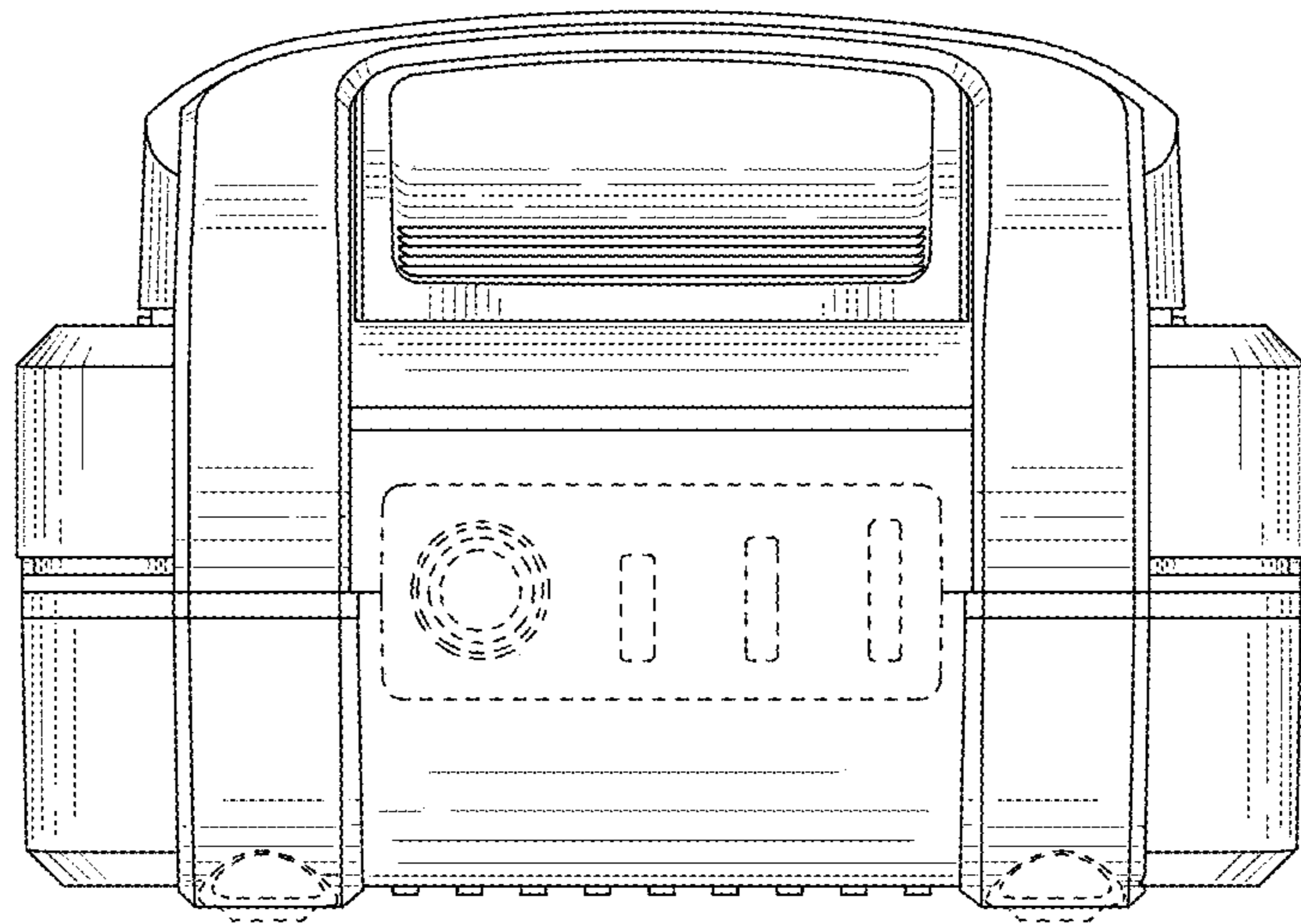


FIG. 2

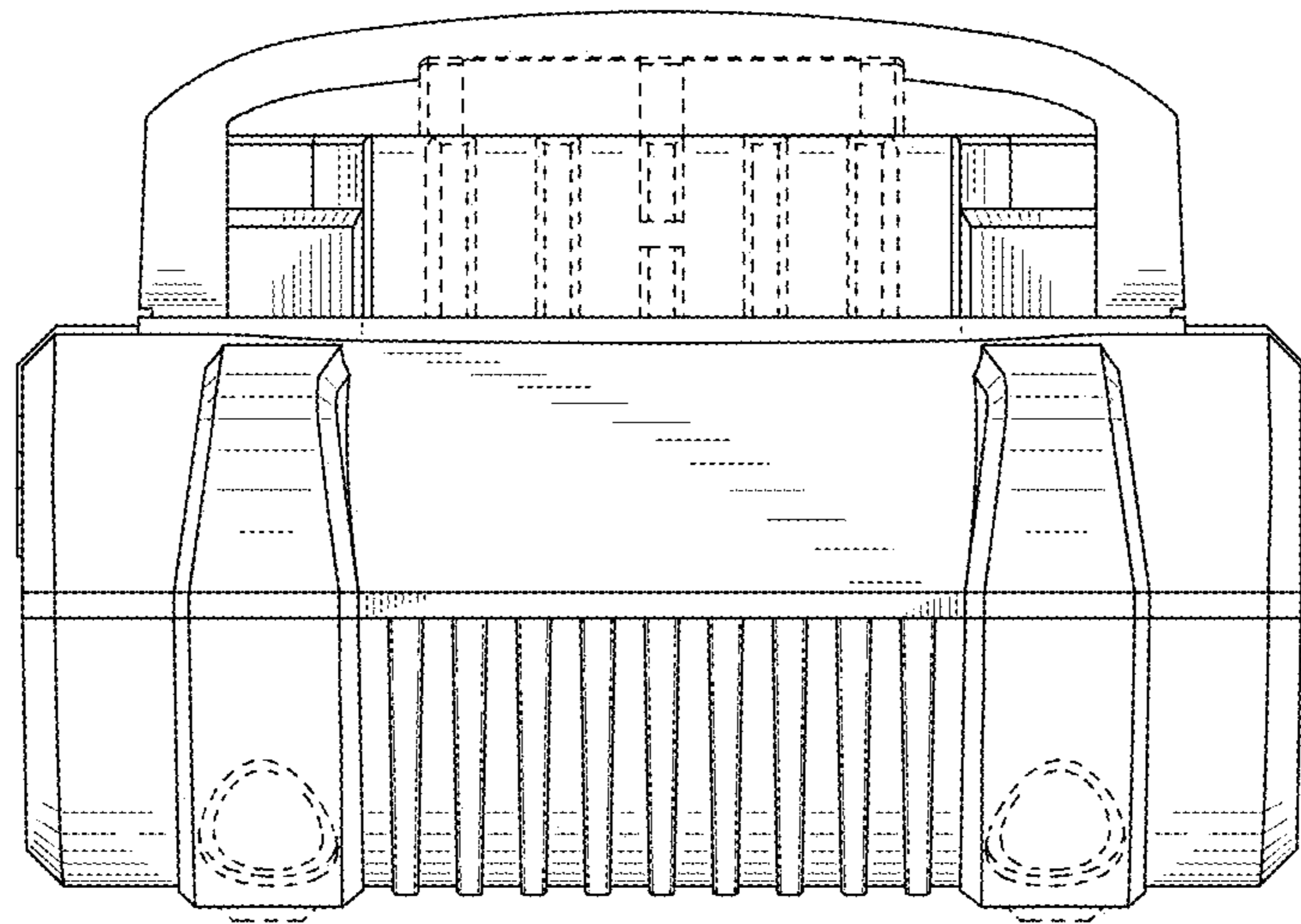


FIG. 3

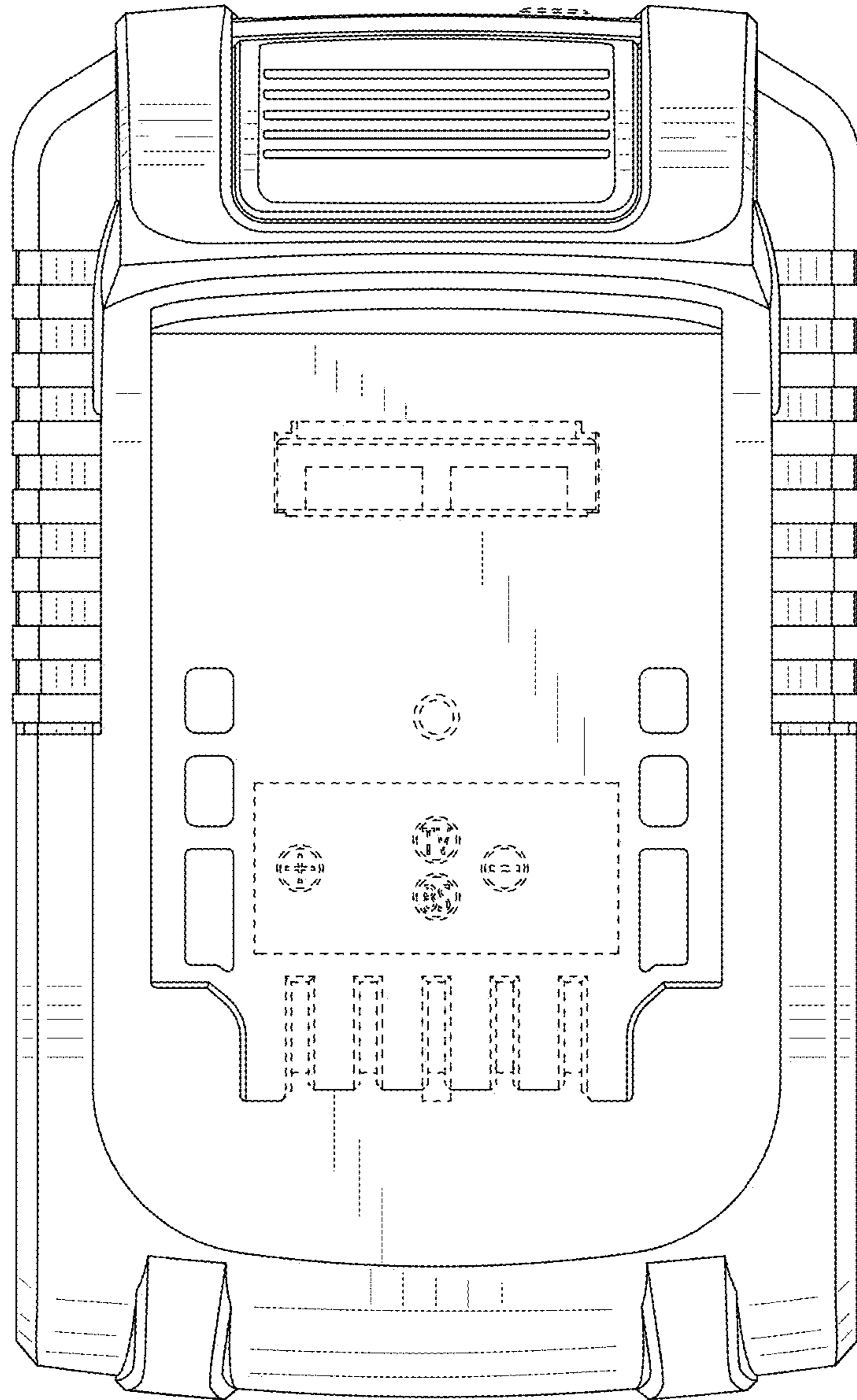


FIG. 4

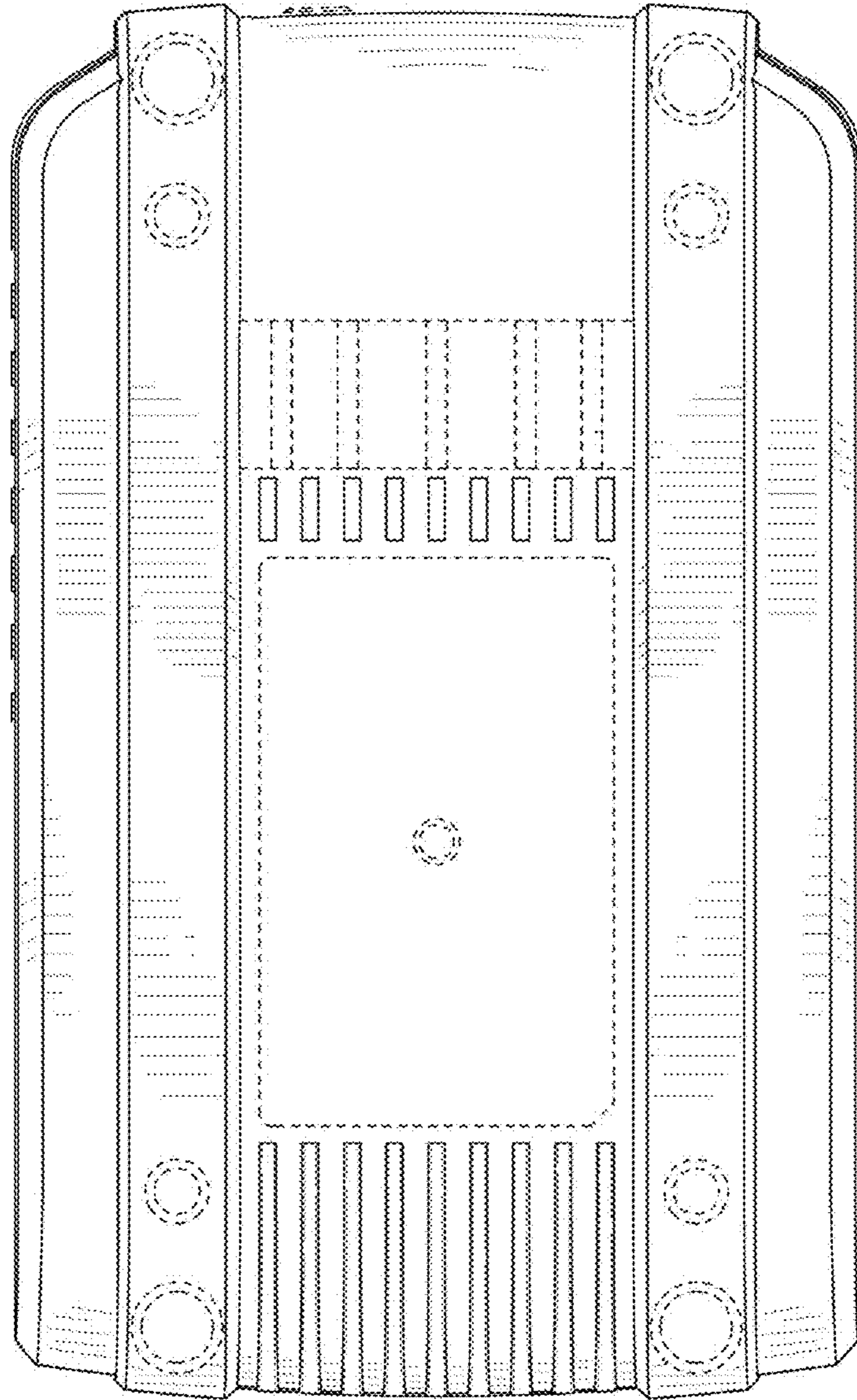


FIG. 5

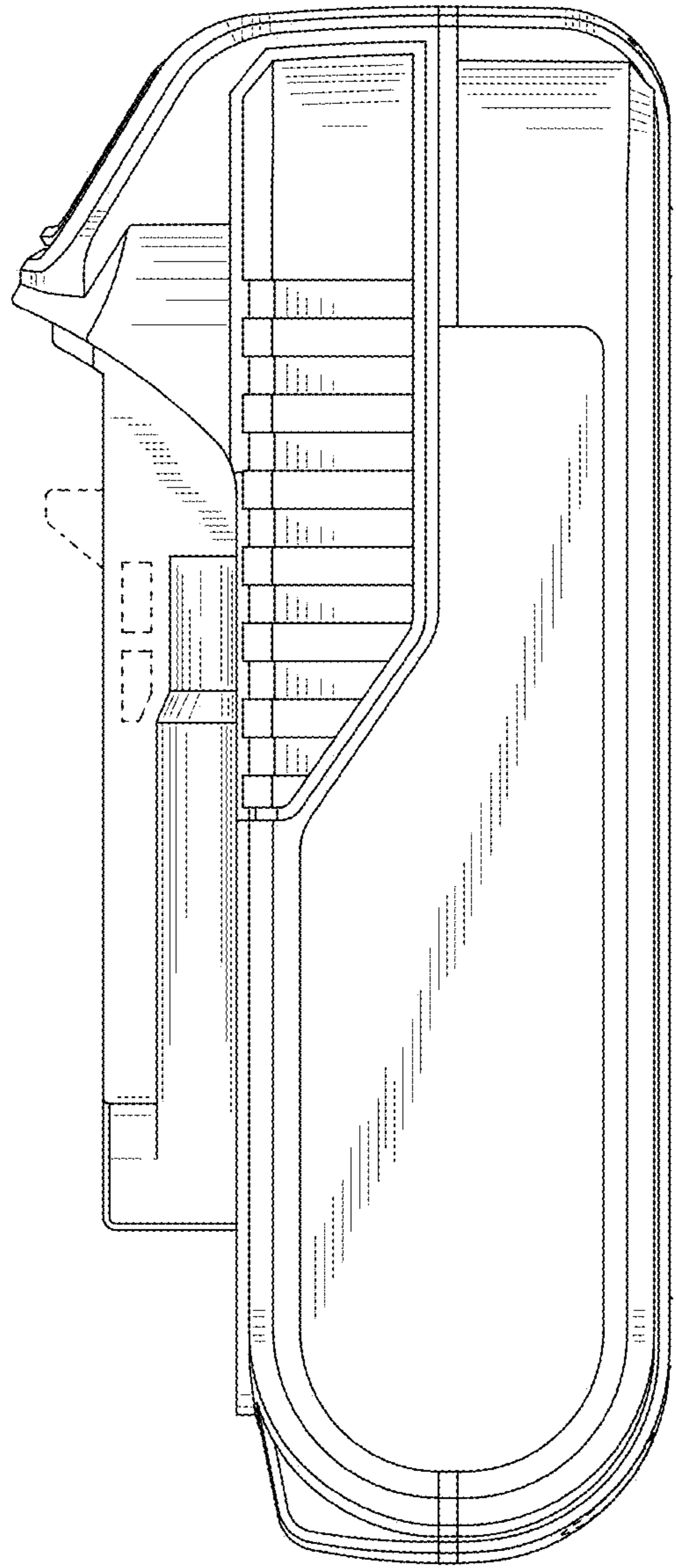


FIG. 6



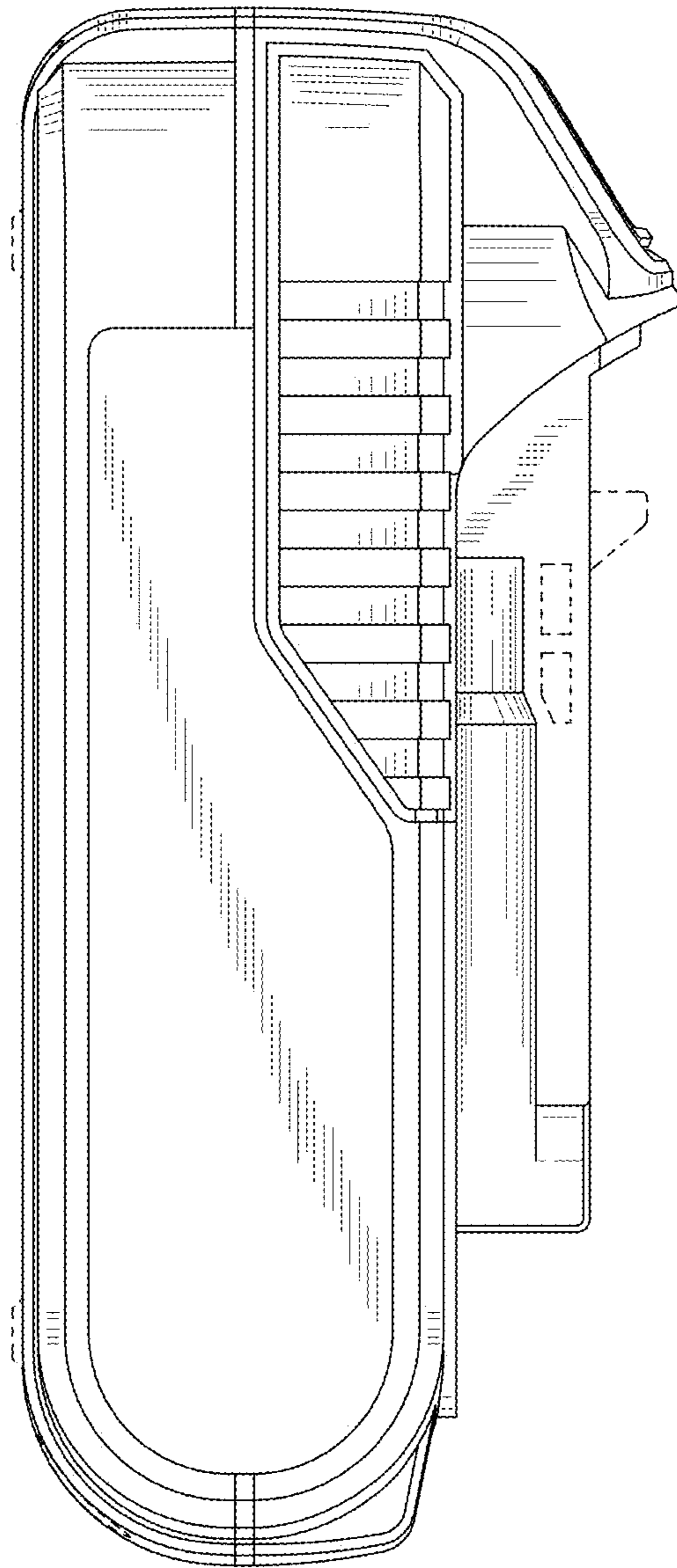


FIG. 7