



US00D922939S

(12) **United States Design Patent**
Ye et al.

(10) **Patent No.:** **US D922,939 S**
(45) **Date of Patent:** **** Jun. 22, 2021**

(54) **BATTERY PACK**

(71) Applicant: **Shenzhen Allsight E-business Co., Ltd.**, Shenzhen (CN)

(72) Inventors: **Shisuo Ye**, Shenzhen (CN); **Peihong Chen**, Shenzhen (CN)

(73) Assignee: **Shenzhen Allsight E-business Co., Ltd.**, Shenzhen (CN)

(**) Term: **15 Years**

(21) Appl. No.: **29/684,618**

(22) Filed: **Mar. 22, 2019**

(51) **LOC (13) Cl.** **13-02**

(52) **U.S. Cl.**
USPC **D13/103**

(58) **Field of Classification Search**
USPC D13/103, 107, 108, 110, 137.1–137.4,
D13/138.1–138.2, 139.1–139.8, 152, 154,
D13/158, 171, 174, 184, 199; D14/250,
D14/251, 253, 432, 434

CPC Y02E 60/12; Y02E 60/122; Y02E 60/124;
Y02E 60/50; H01M 2/02; H01M 2/022;
H01M 2/0202; H01M 2/0207; H01M
2/0212; H01M 2/1061; H01M 2/1022;
H01M 2/1055; H01M 2/1066; H01M
2/105; H01M 2/204; H01M 2/202; H01M
2/206; H01M 10/4257; H01M 10/0436;
H01M 10/48; H01M 10/44; H01M 10/46;
H01M 10/465; H01M 10/482; H01R
11/00; H01R 9/00; H01R 13/00; H01R
13/04; H01R 13/10; H01R 13/6666;
H01R 13/6675; H01R 25/00; H01R
25/006; H01H 2207/00; H01H 2207/022

See application file for complete search history.

(56) **References Cited**

U.S. PATENT DOCUMENTS

D589,440 S * 3/2009 Van Wambeke D13/103
D589,441 S * 3/2009 Van Wambeke D13/103

D622,661 S * 8/2010 Yamada D13/103
D640,196 S * 6/2011 Shuang D13/103
D640,197 S * 6/2011 Park D13/103
D640,628 S * 6/2011 Lopano D13/103
D640,975 S * 7/2011 Okuda D13/103
D643,809 S * 8/2011 Okuda D13/103
D658,578 S * 5/2012 Davis D13/103
D682,194 S * 5/2013 Jiang D13/103
D684,528 S * 6/2013 Murray D13/103
D699,670 S * 2/2014 Cooper D13/103
D710,794 S * 8/2014 Busschaert D13/103
D718,705 S * 12/2014 Naksen D13/103
D780,687 S * 3/2017 Taniguchi D13/103
D780,688 S * 3/2017 Elder D13/103
D800,650 S * 10/2017 Itoh D13/103
D812,555 S * 3/2018 Schoch D13/103
D818,948 S * 5/2018 Waldron D13/103
D826,149 S * 8/2018 Cooper D13/103
D826,150 S * 8/2018 Cayon D13/103
D844,558 S * 4/2019 Taniguchi D13/103

(Continued)

Primary Examiner — Christy Nemeth

(57) **CLAIM**

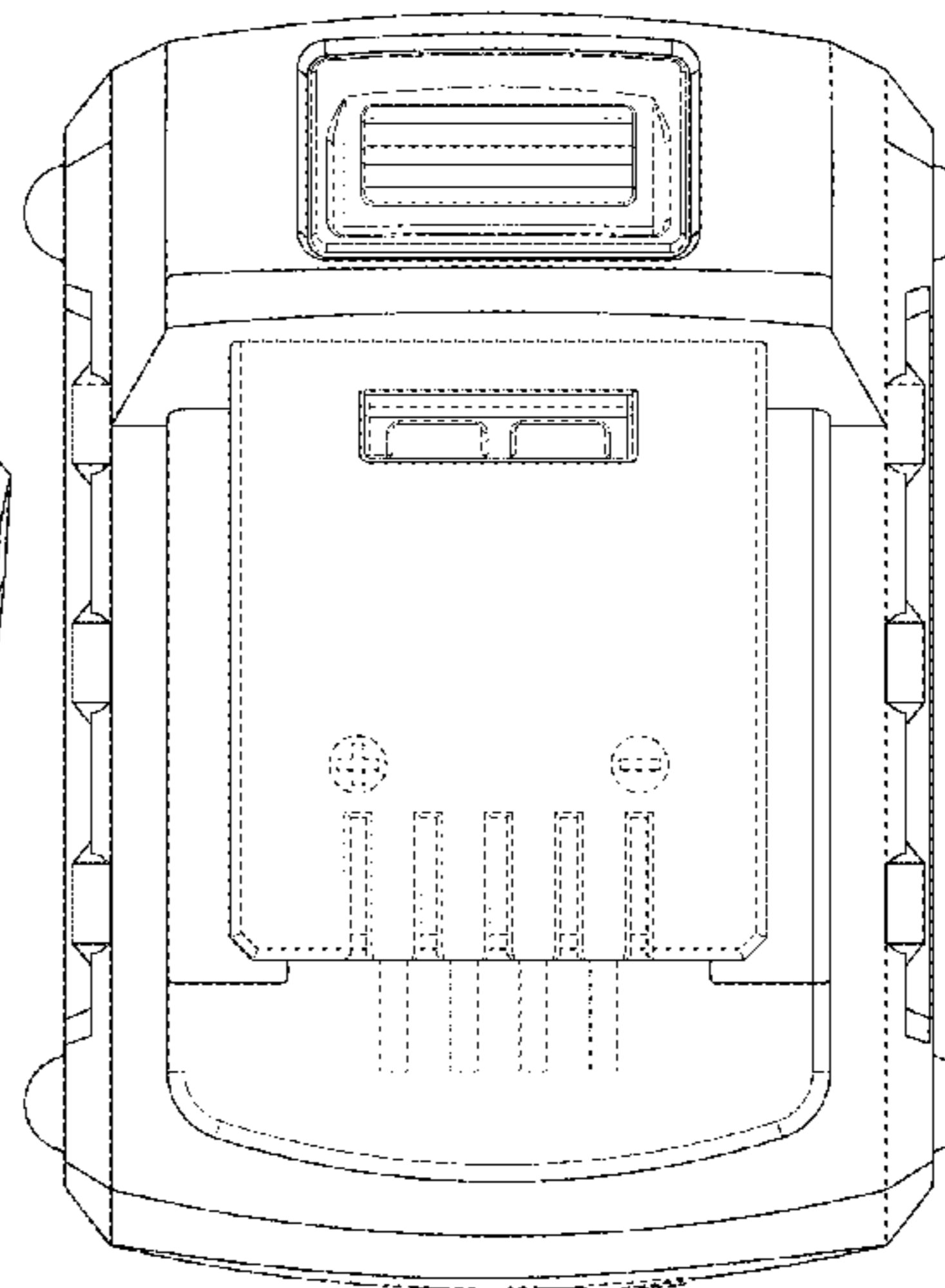
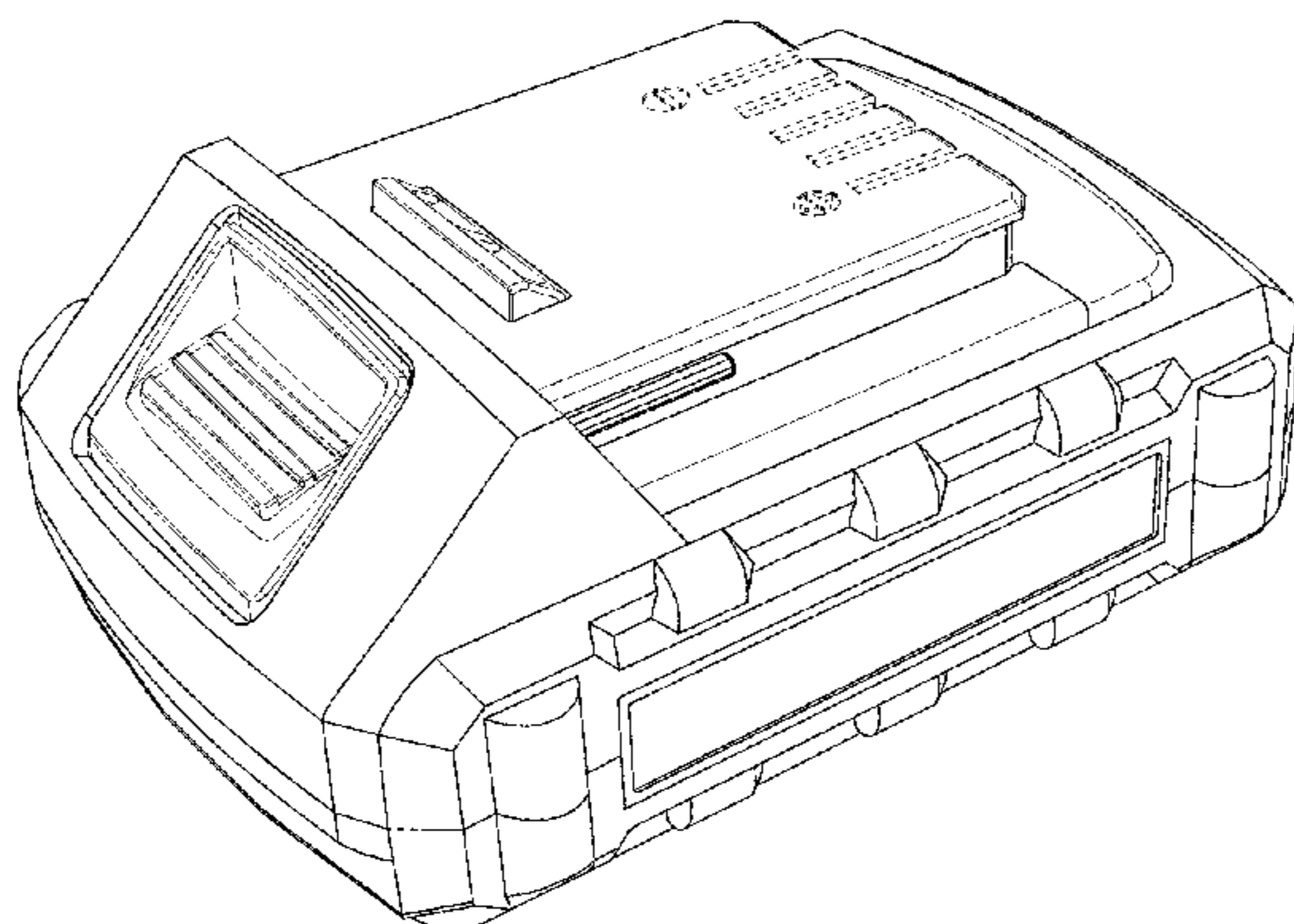
The ornamental design for a battery pack, as shown and described.

DESCRIPTION

FIG. 1 is a top right side perspective view of a battery pack, showing our new design;
FIG. 2 is a front elevation view thereof;
FIG. 3 is a rear elevation view thereof;
FIG. 4 is a top plan view thereof;
FIG. 5 is a bottom plan view thereof;
FIG. 6 is a left side view thereof; and,
FIG. 7 is a right side view thereof.

The broken lines in the drawings depict portions of the battery pack that form no part of the claimed design.

1 Claim, 7 Drawing Sheets



(56)

References Cited

U.S. PATENT DOCUMENTS

D856,921 S * 8/2019 Lee D13/103
D876,340 S * 2/2020 Song D13/103
D881,119 S * 4/2020 Elder D13/103
D883,918 S * 5/2020 Roberts D13/103
D884,600 S * 5/2020 Zhou D13/103
D884,601 S * 5/2020 Zhou D13/103
D891,363 S * 7/2020 Roberts D13/103
D893,411 S * 8/2020 Roberts D13/103
D894,120 S * 8/2020 Timm D13/103
D898,662 S * 10/2020 Waldron D13/103
2010/0112435 A1 * 5/2010 Hanawa H01M 2/1022
429/178
2014/0106195 A1 * 4/2014 Milbourne H01M 2/1066
429/99
2014/0272516 A1 * 9/2014 Tennison H01M 10/613
429/120
2014/0272517 A1 * 9/2014 Glasgow H01M 10/6554
429/120
2016/0126533 A1 * 5/2016 Velderman H01M 10/425
429/97
2016/0241065 A1 * 8/2016 Kondo H01M 2/1022
2016/0293909 A1 * 10/2016 O'Sullivan H01M 16/00
2017/0338452 A1 * 11/2017 Varipatis H01M 2/30
2018/0130980 A1 * 5/2018 Ogura H01M 2/02
2018/0198294 A1 * 7/2018 Sheeks H02J 7/0045
2019/0312242 A1 * 10/2019 Barton H01M 10/488
2020/0127339 A1 * 4/2020 Nakano H01M 2/1016

* cited by examiner

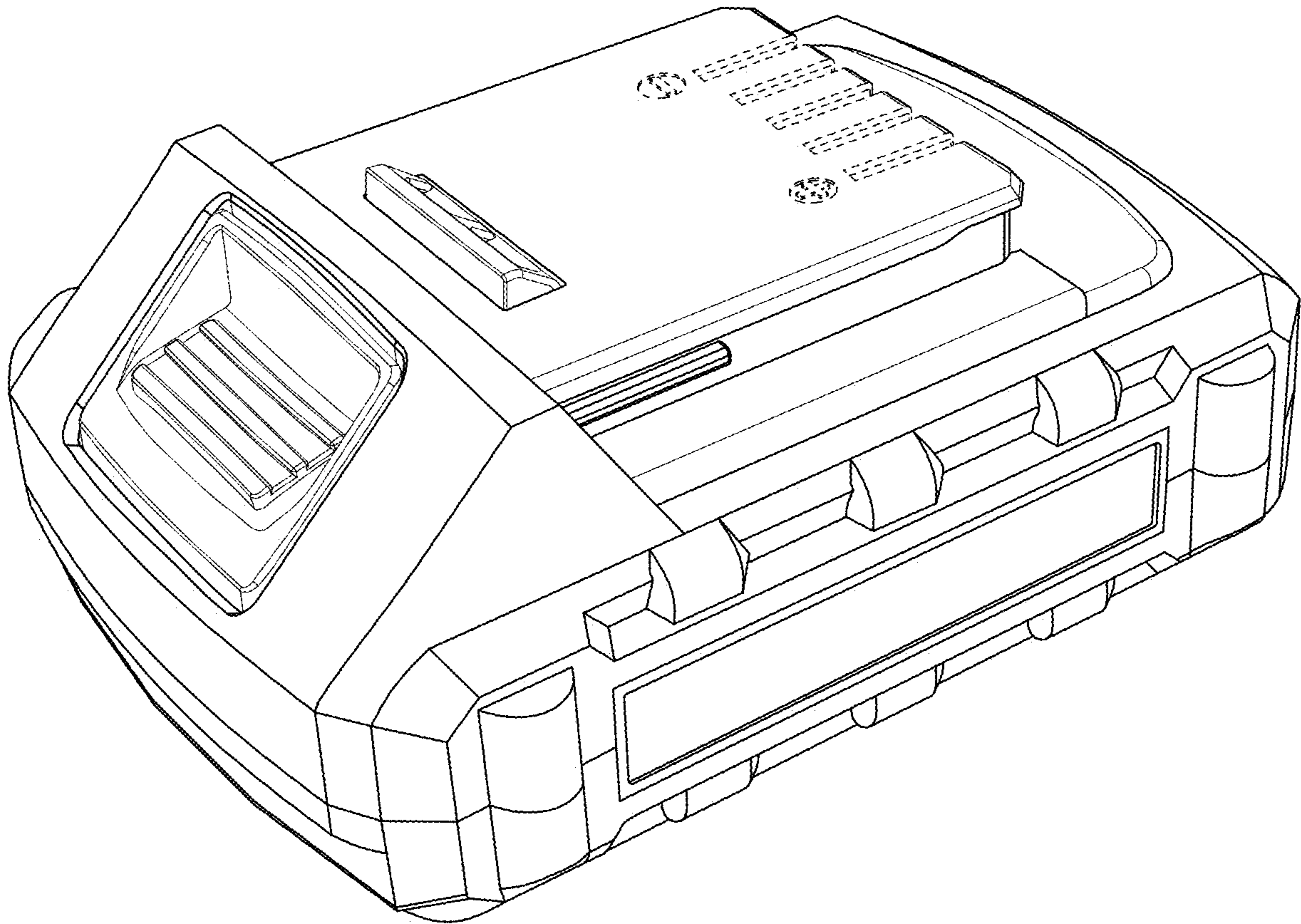


FIG. 1

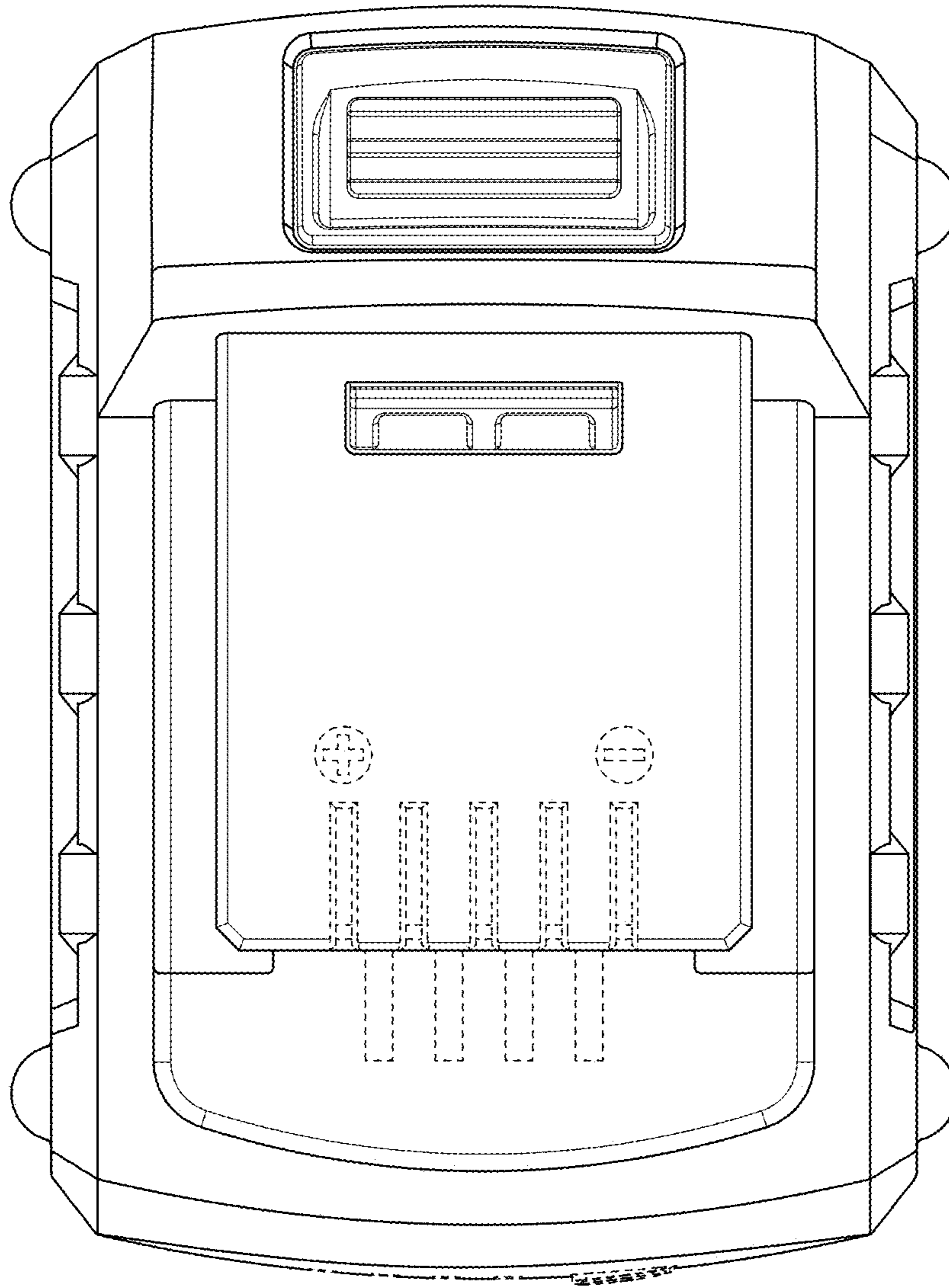


FIG. 2

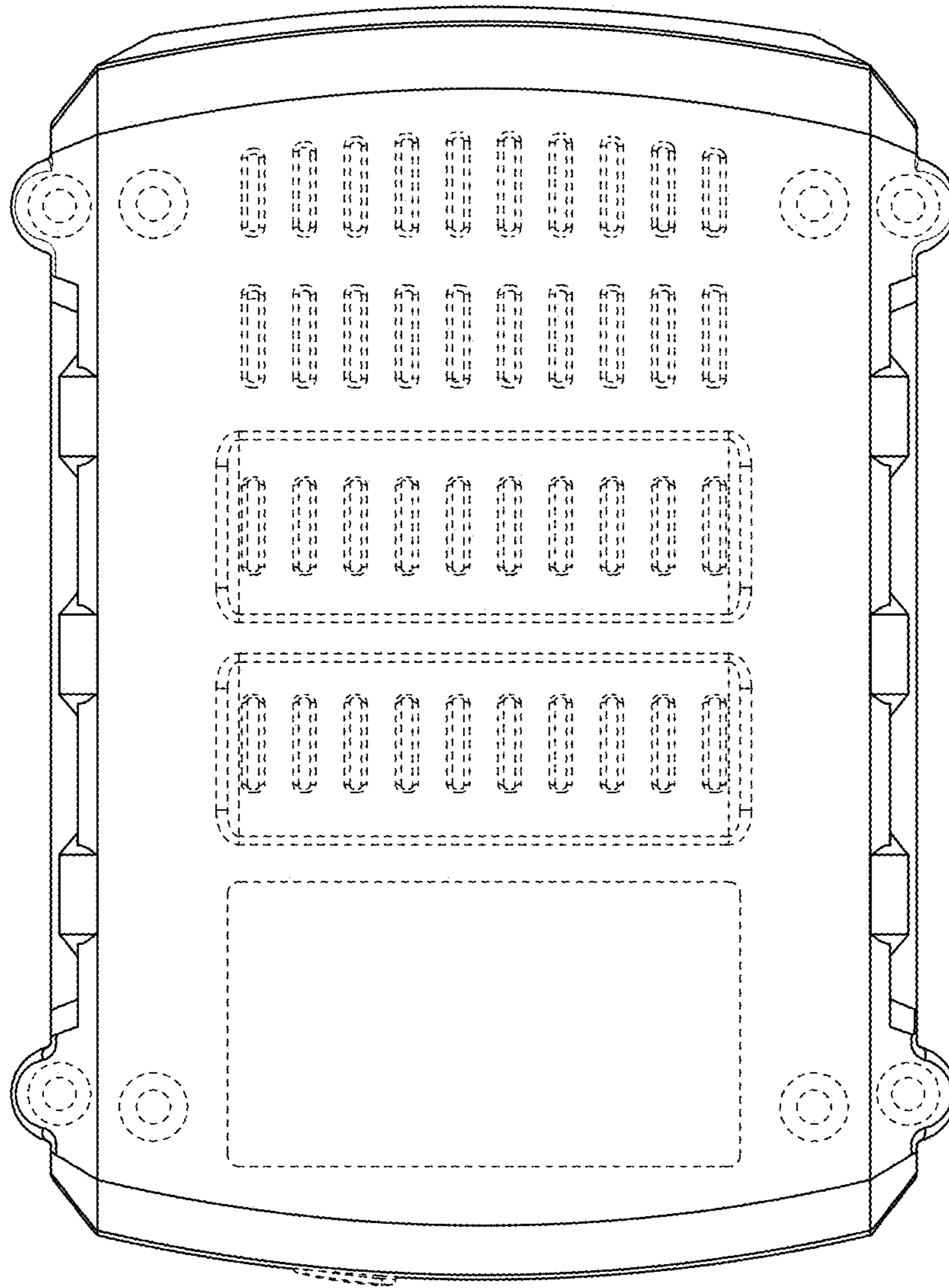


FIG. 3

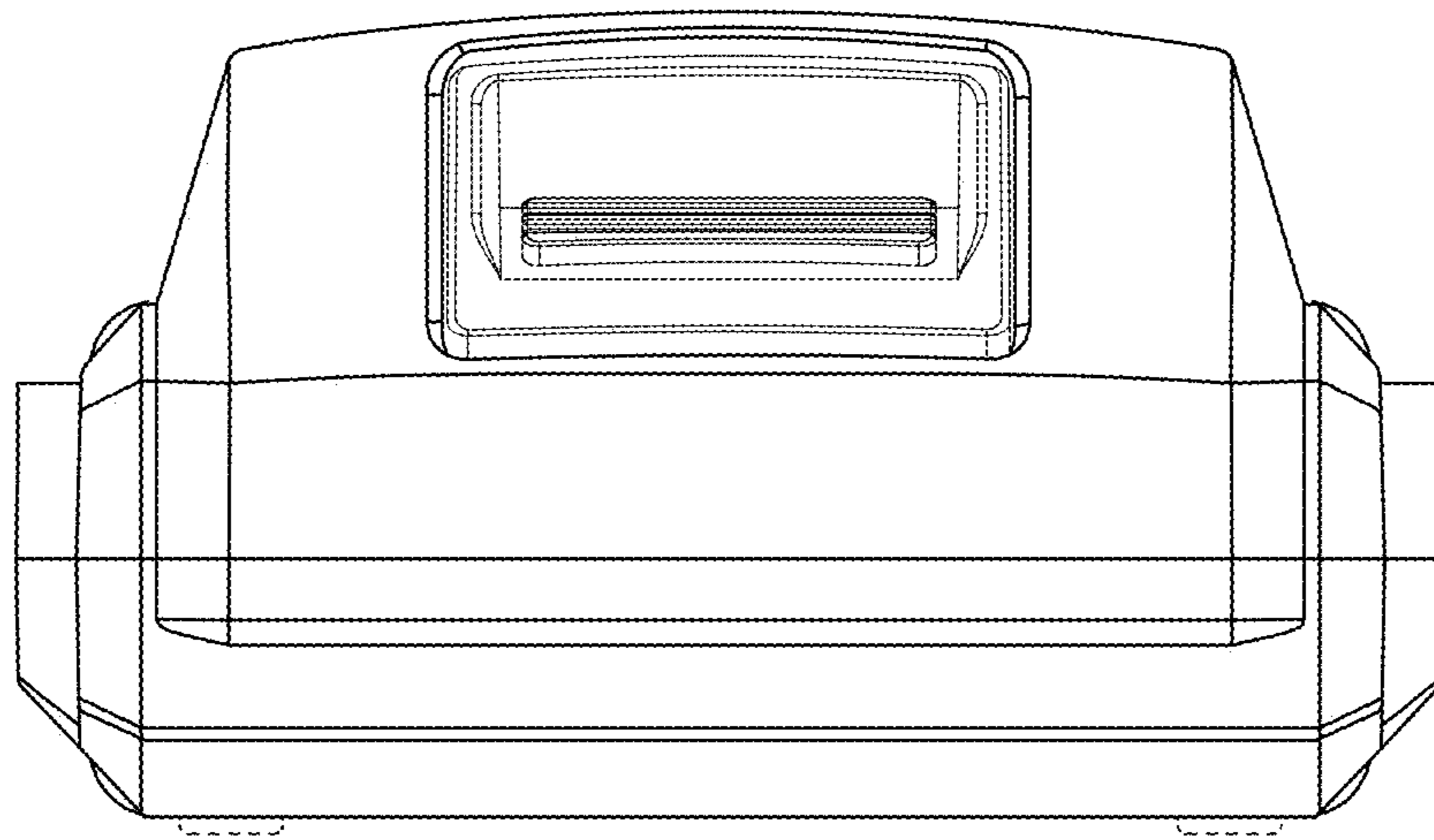


FIG. 4

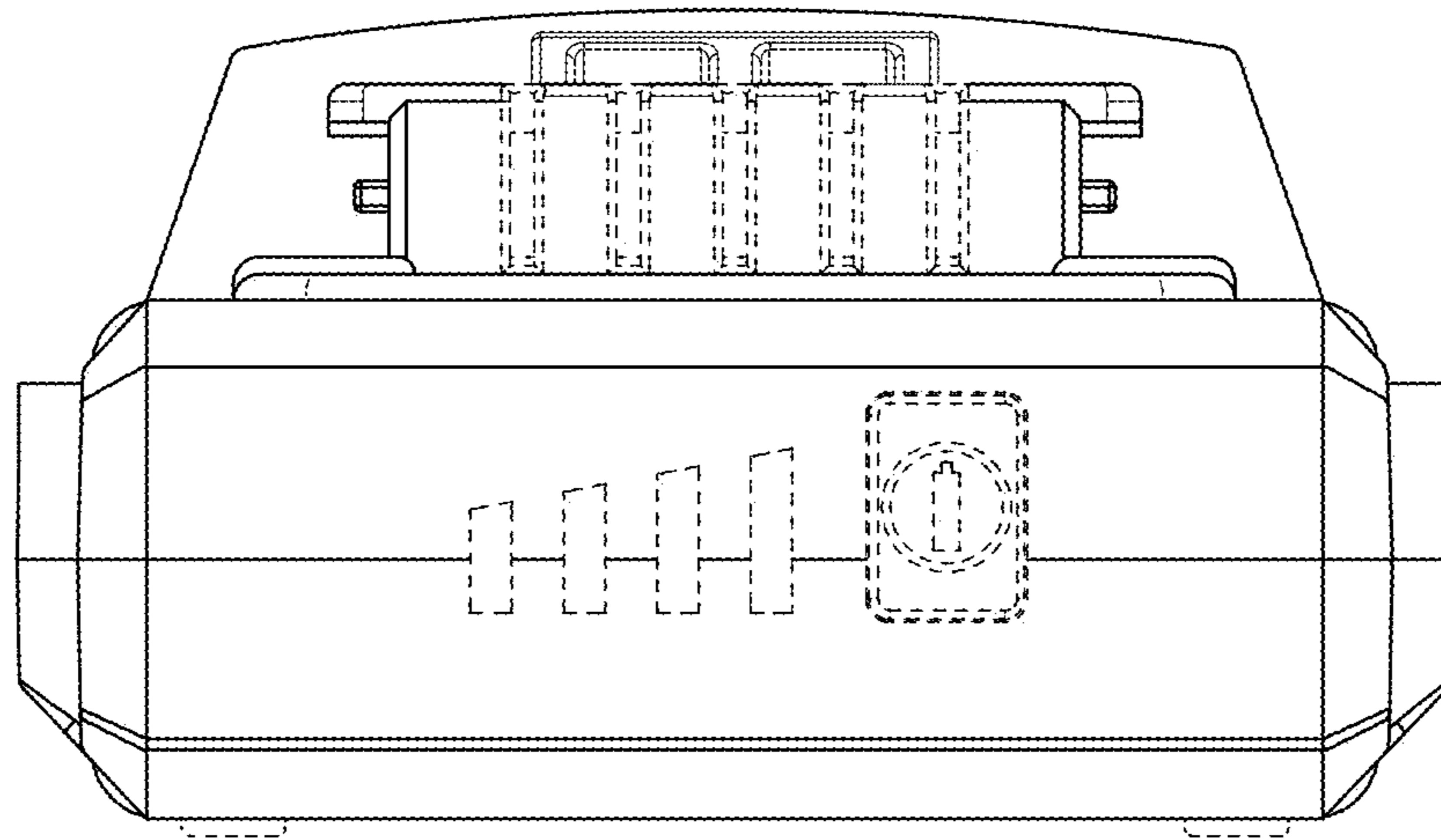


FIG. 5

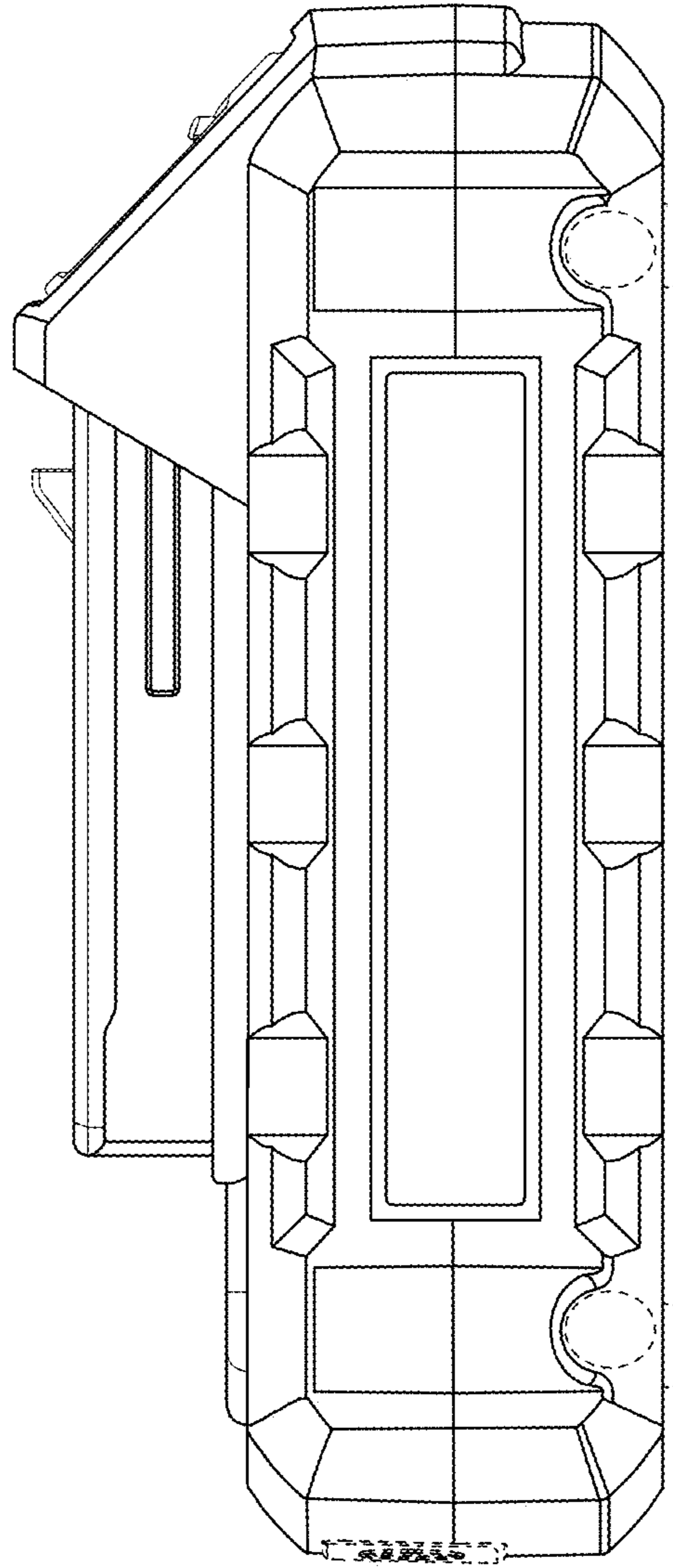


FIG. 6

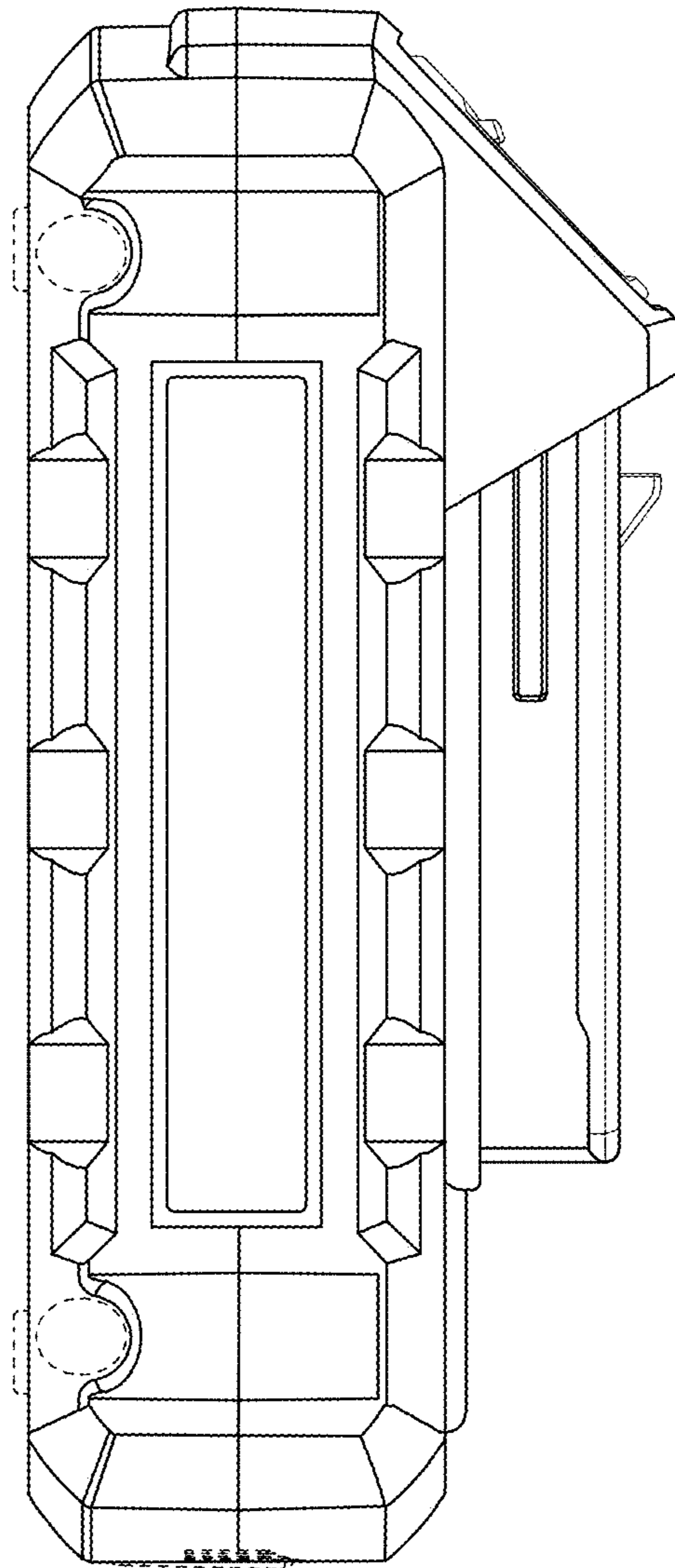


FIG. 7