



US00D922934S

(12) **United States Design Patent** (10) **Patent No.:** **US D922,934 S**  
**Sanders** (45) **Date of Patent:** **\*\* Jun. 22, 2021**

(54) **AUTOMOBILE CONSOLE ATTACHMENT**

D882,488 S \* 4/2020 Tung ..... D12/415  
D901,371 S \* 11/2020 Besley ..... B65D 1/36  
D12/415  
D909,284 S \* 2/2021 Hodge ..... 12/415

(71) Applicant: **Kenneth Sanders**, Rogers, AR (US)

(72) Inventor: **Kenneth Sanders**, Rogers, AR (US)

\* cited by examiner

(\*\*) Term: **15 Years**

*Primary Examiner* — Abraham Bahta

(21) Appl. No.: **29/716,728**

(74) *Attorney, Agent, or Firm* — Wright Lindsey Jennings, LLP; Meredith Lowry

(22) Filed: **Dec. 11, 2019**

(51) **LOC (13) Cl.** ..... **12-16**

(57) **CLAIM**

(52) **U.S. Cl.**

USPC ..... **D12/415**

The ornamental design for an automobile console attachment, as shown and described.

(58) **Field of Classification Search**

USPC ..... D12/415-420, 400, 195, 191, 106, 345,  
D12/96, 99; 296/190.01, 191, 70;  
D3/304, 313, 314, 318-319;  
D7/637-638, 601-602  
CPC .... B60R 7/04; B60R 7/06; B60R 7/08; B60R  
11/02; B60R 2011/0005; B60K 37/00;  
B60K 37/02; B60K 37/04; B60K 37/06;  
B60N 2/46; A47G 21/14; B64D 11/06;  
A45F 2200/05

**DESCRIPTION**

See application file for complete search history.

FIG. 1 is a perspective view of the automobile console attachment showing my new design; FIG. 2 is a top plan view of the same; FIG. 3 is a front elevational view of the same; FIG. 4 is a left side view of the same; FIG. 5 is a right side view of the same; FIG. 6 is a rear elevational view of the same; and, FIG. 7 is a bottom plan view of the same.

The dash-dot-dash line is included to show the boundary of the claim and forms no part of the claimed design.

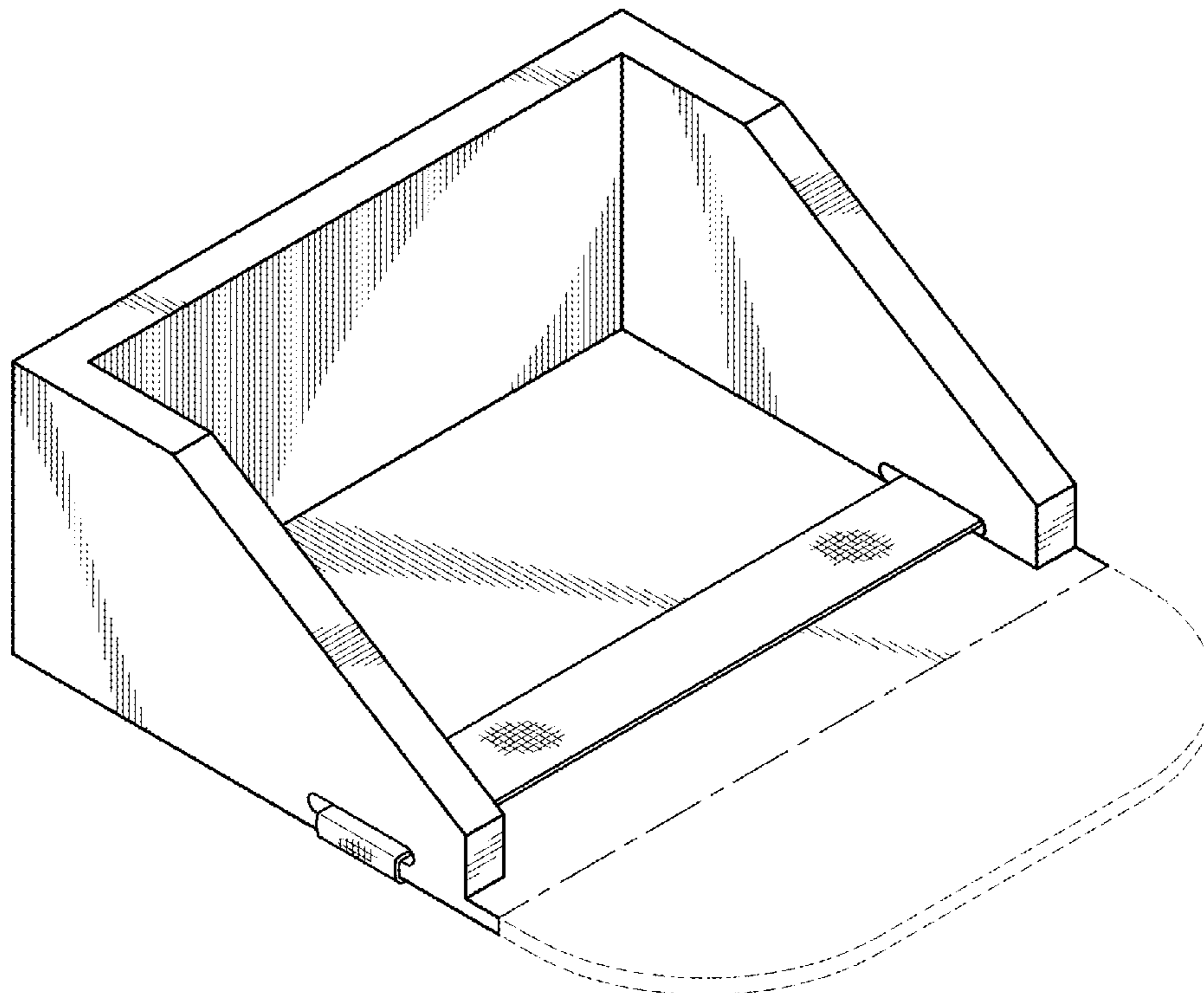
The dash-dash broken line showing of portions of the automobile console attachment is included for the purpose of illustrating environmental structure and forms no part of the claimed design.

(56) **References Cited**

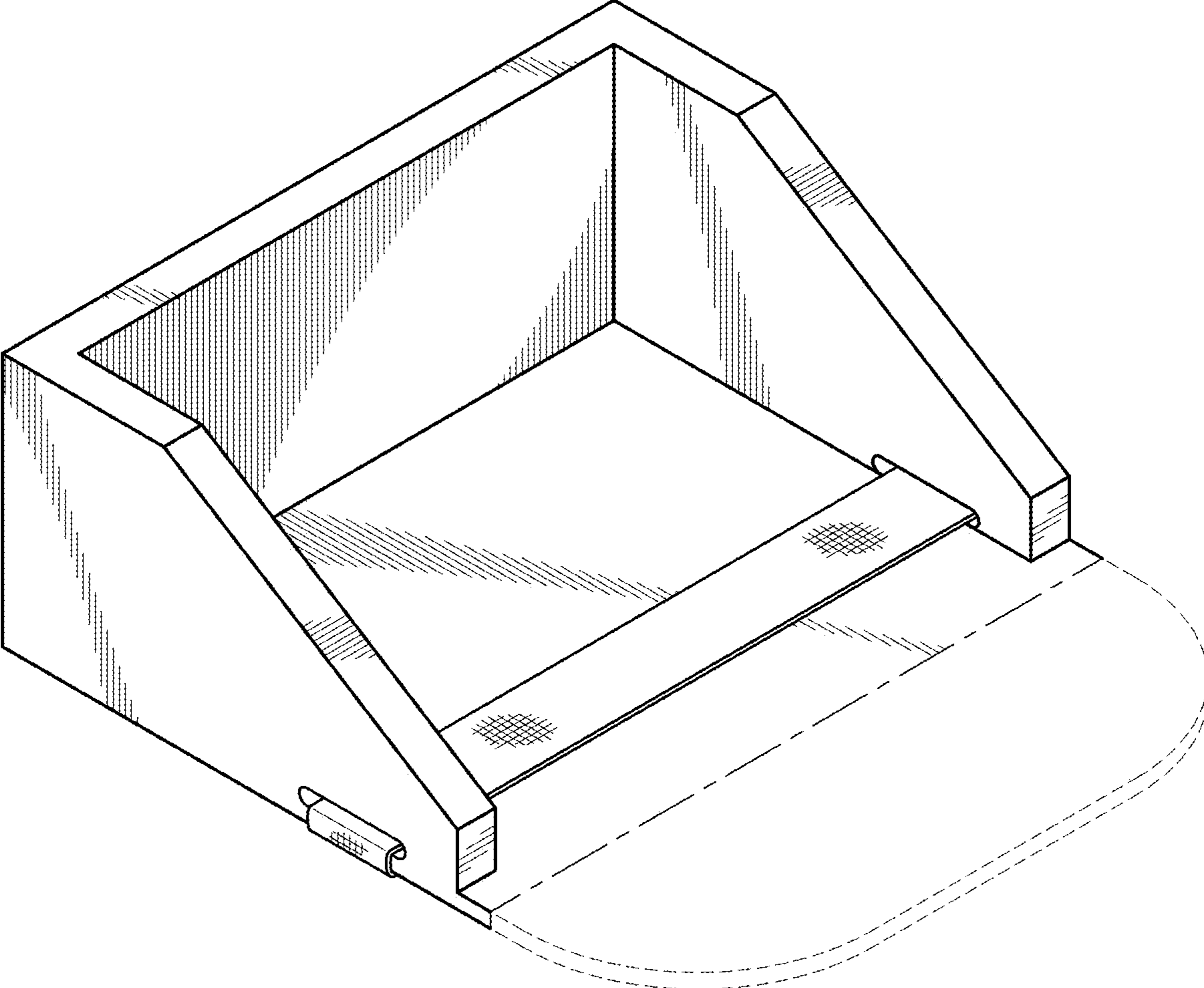
**U.S. PATENT DOCUMENTS**

D233,428 S \* 10/1974 Hestand ..... D12/415  
D249,263 S \* 9/1978 Neece ..... D12/419  
D485,801 S \* 1/2004 Smith ..... D12/415  
D540,738 S \* 4/2007 Hatch ..... D12/415  
D582,190 S \* 12/2008 Valiulis ..... D6/567  
D879,015 S \* 3/2020 Besley ..... D12/424

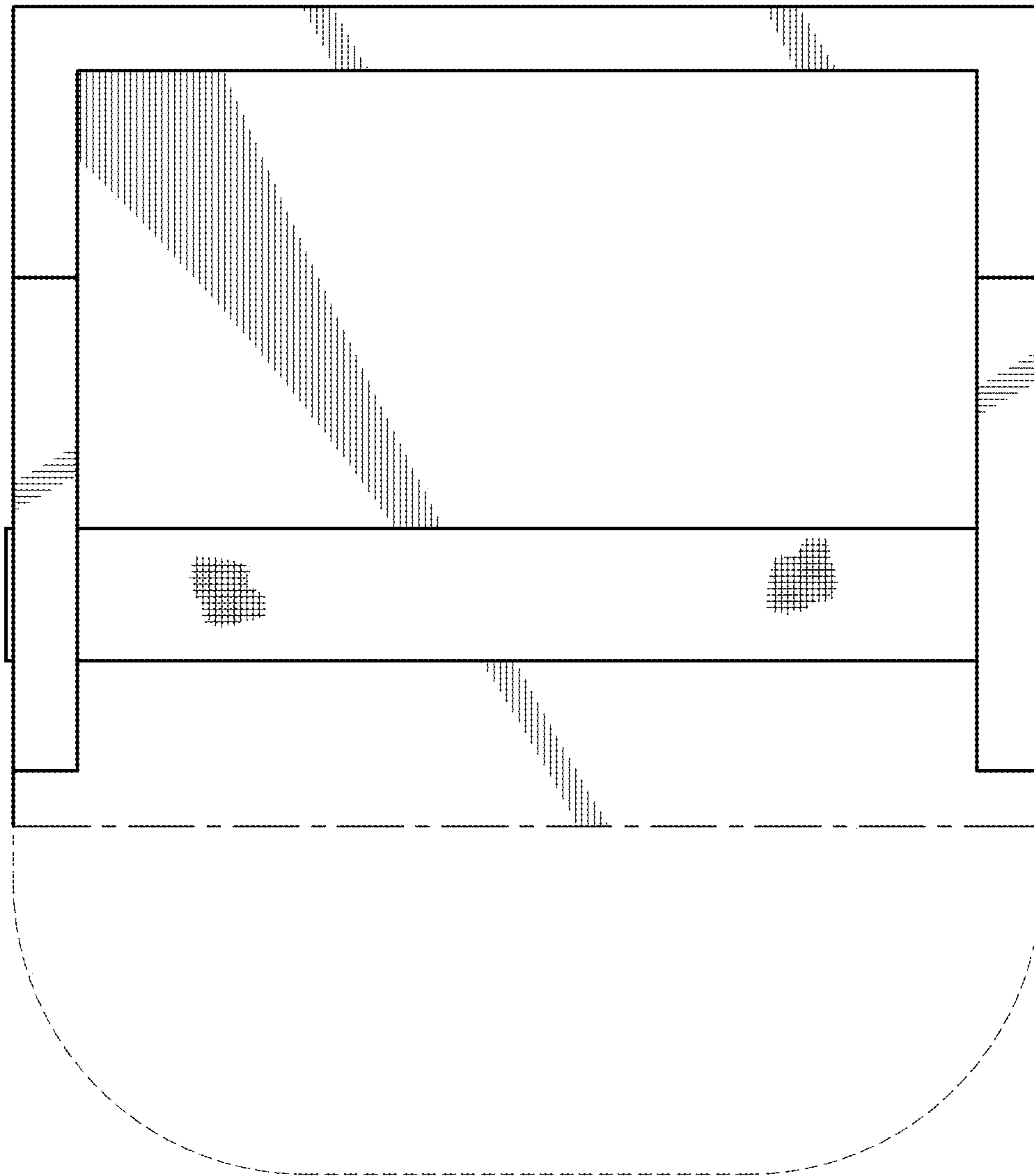
**1 Claim, 5 Drawing Sheets**



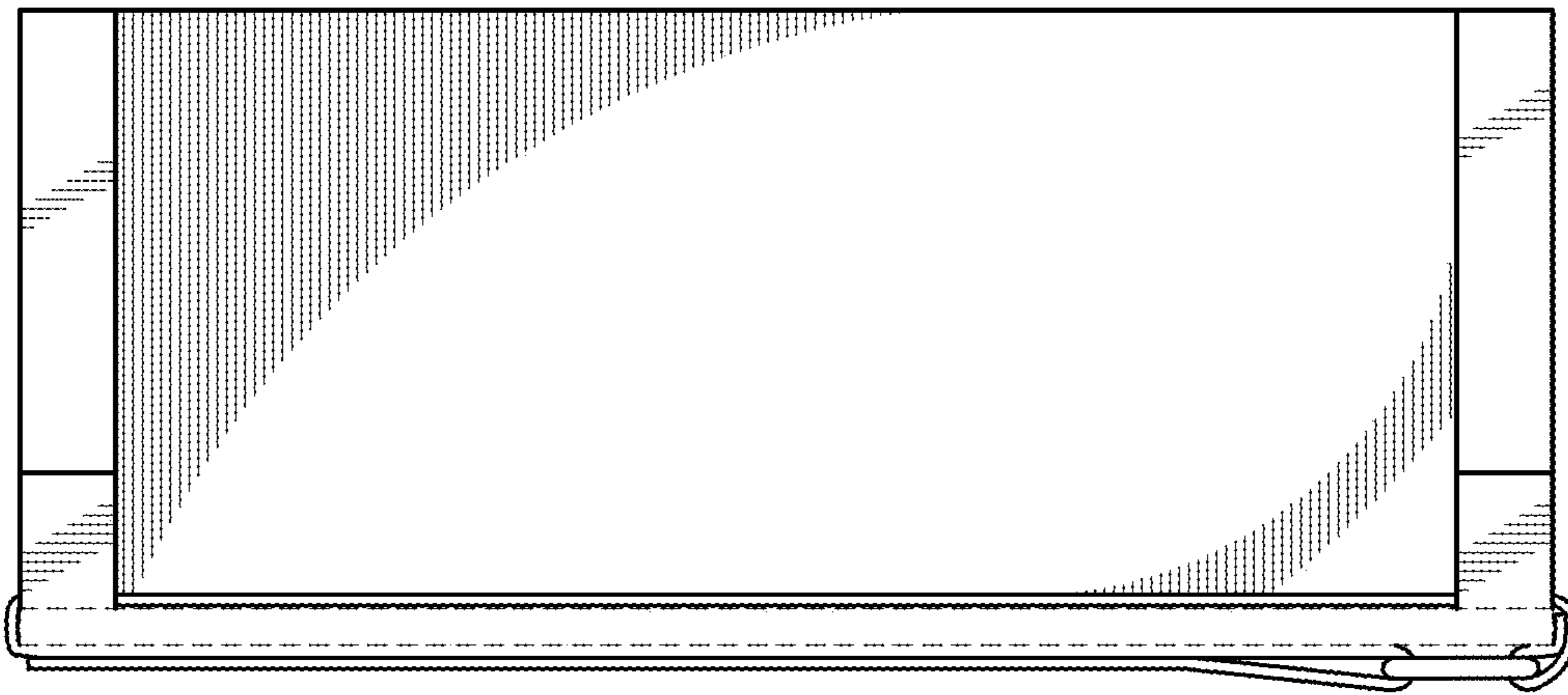
*FIG. 1*



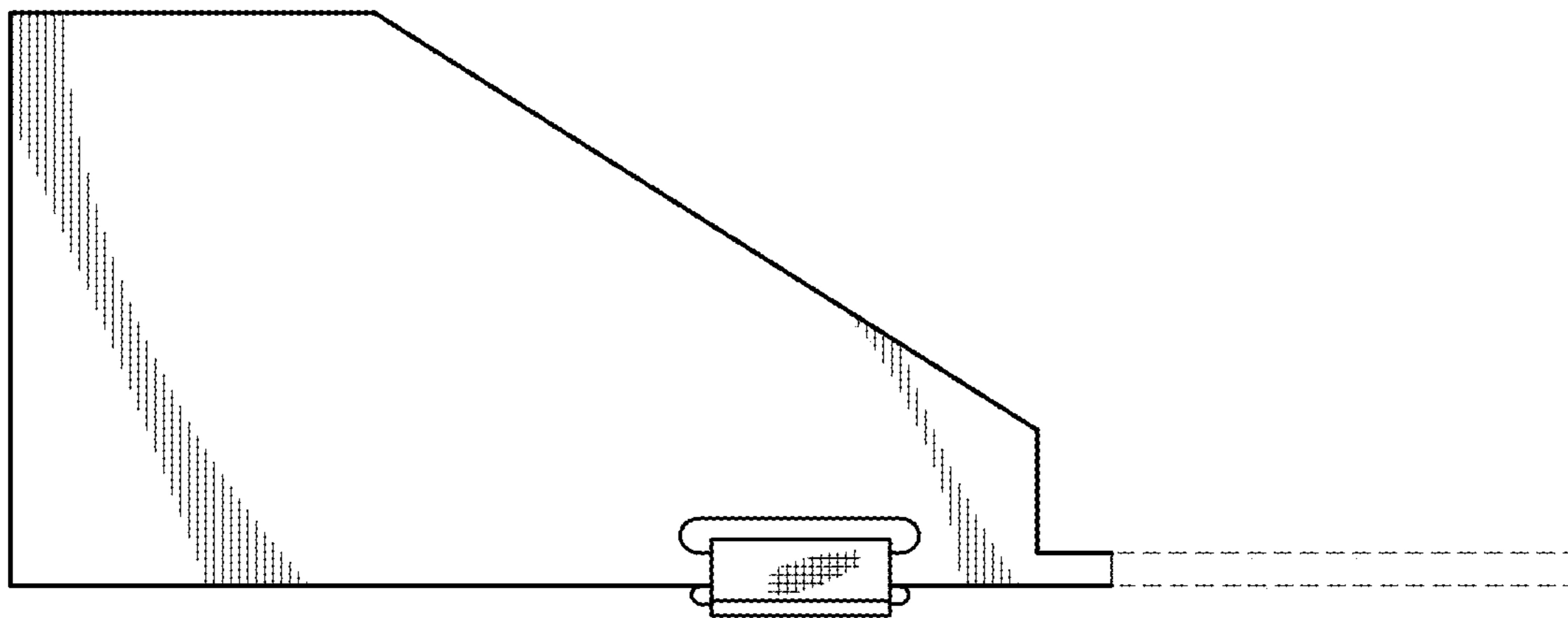
*FIG. 2*



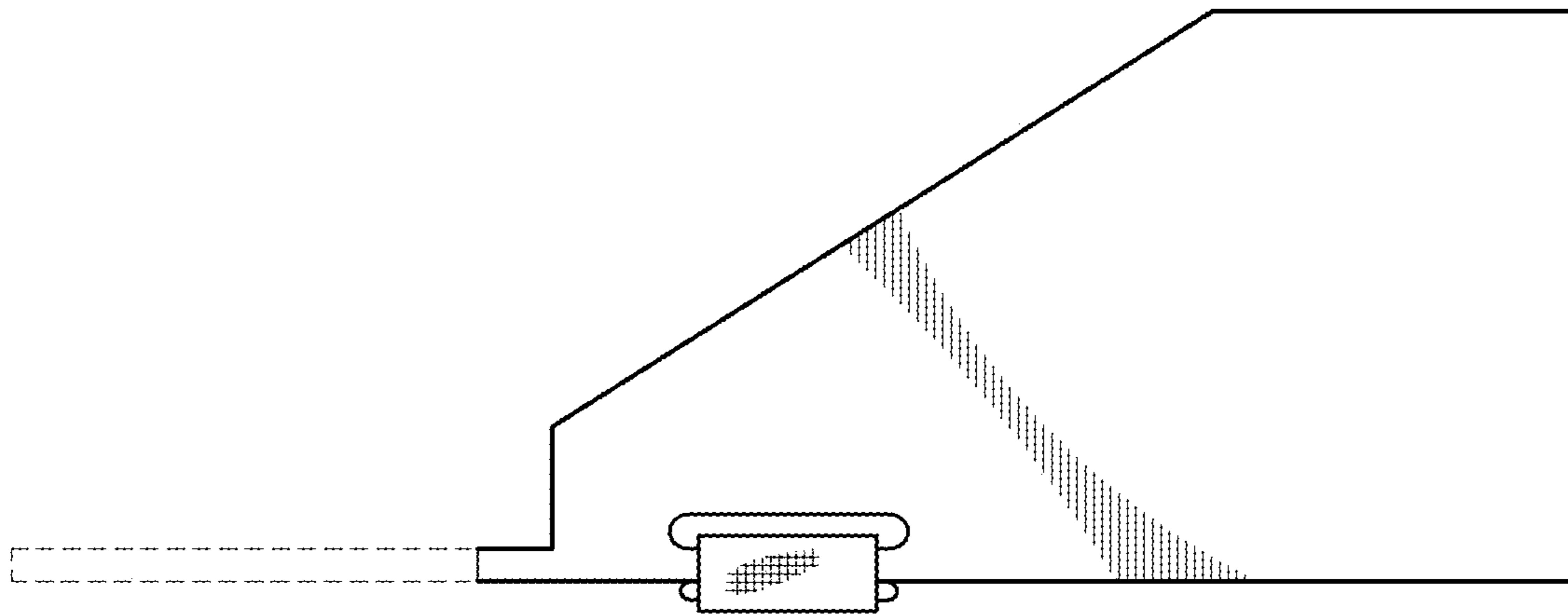
**FIG. 3**



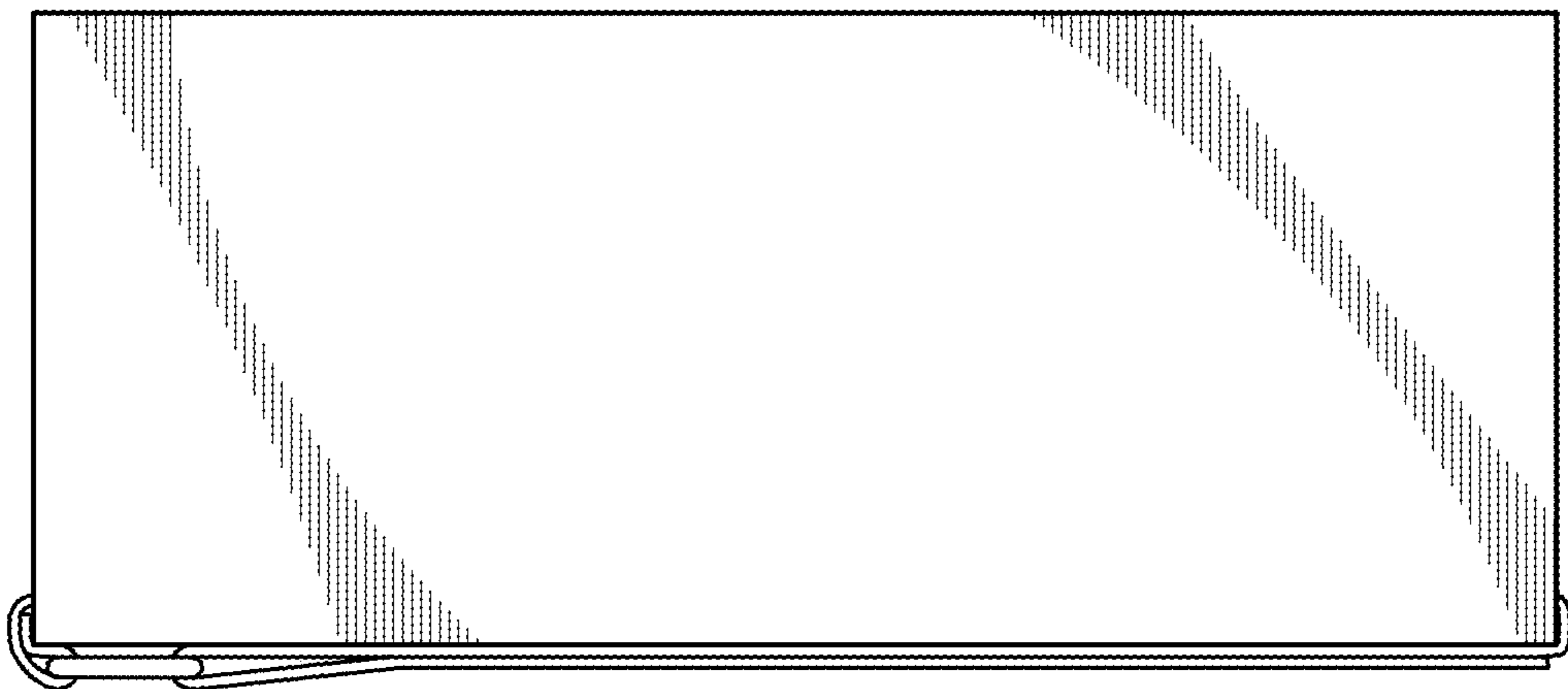
**FIG. 4**



**FIG. 5**



**FIG. 6**



*FIG. 7*

