

US00D922932S

(12) **United States Design Patent** (10) **Patent No.:** **US D922,932 S**
Jacob et al. (45) **Date of Patent:** **** Jun. 22, 2021**

- (54) **MIDDLE CONSOLE**
- (71) Applicant: **Byton Limited**, Hong Kong (HK)
- (72) Inventors: **Benoit Jacob**, Munich (DE); **Davide Valpreda**, Munich (DE); **Benoit Ponton**, Munich (DE)
- (73) Assignee: **Byton Limited**, Hong Kong (HK)
- (**) Term: **15 Years**
- (21) Appl. No.: **29/675,750**
- (22) Filed: **Jan. 4, 2019**
- (51) **LOC (13) Cl.** **12-16**
- (52) **U.S. Cl.**
USPC **D12/415**
- (58) **Field of Classification Search**
USPC D12/419, 415; D7/620
CPC .. B60Q 3/225; B60Q 3/64; B60N 3/10; B60R 7/08
See application file for complete search history.

- D725,583 S * 3/2015 Seki D12/419
- D770,968 S * 11/2016 Willis D12/415
- D781,210 S * 3/2017 Itou D12/419
- D781,211 S * 3/2017 Satou D12/419
- D801,911 S * 11/2017 Stroud D12/419
- D808,330 S * 1/2018 Kuwahara D12/419
- D830,951 S * 10/2018 Karasawa D12/419
- D857,611 S * 8/2019 Igarashi D12/415
- D870,644 S * 12/2019 Buffery D12/415
- D877,691 S * 3/2020 Mistiuk D12/415

* cited by examiner

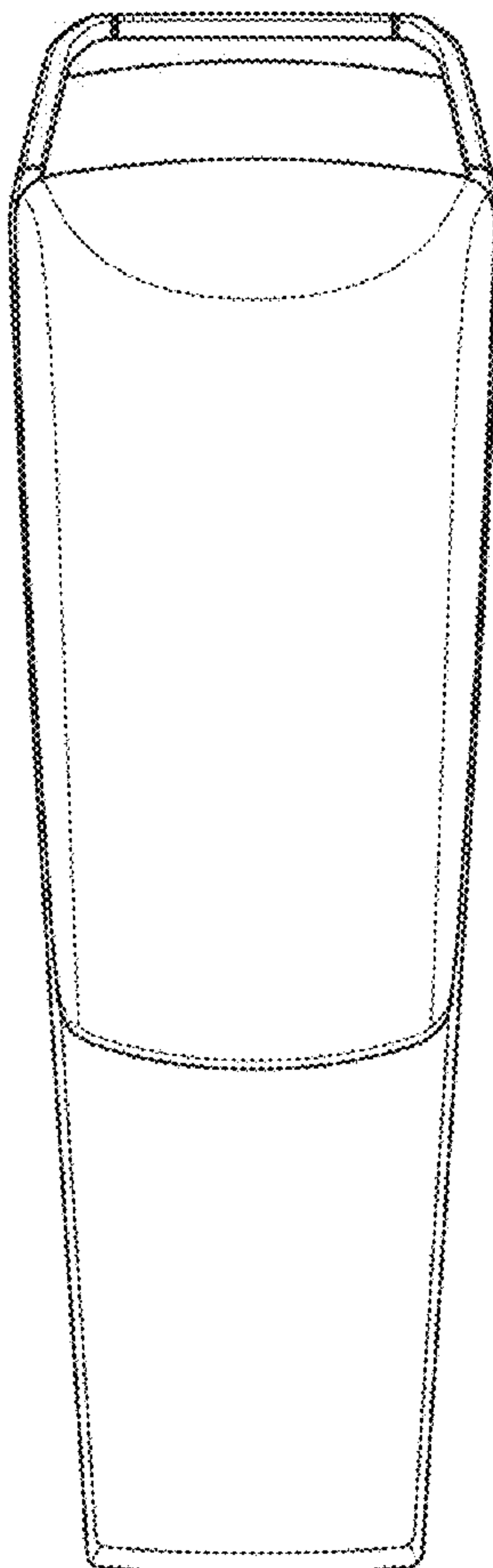
Primary Examiner — Katrina A Betton
 (74) *Attorney, Agent, or Firm* — Womble Bond Dickinson (US) LLP

(57) **CLAIM**
 The ornamental design for a middle console, as shown and described.

DESCRIPTION
 FIG. 1 is a left side view of a middle console showing our new design;
 FIG. 2 is atop view thereof;
 FIG. 3 is a right side view thereof;
 FIG. 4 is a bottom view thereof;
 FIG. 5 is a back view thereof; and,
 FIG. 6 is a front view thereof.

1 Claim, 6 Drawing Sheets

- (56) **References Cited**
 U.S. PATENT DOCUMENTS
 D459,288 S * 6/2002 Tsay D12/415
 D538,757 S * 3/2007 Salminen D13/169



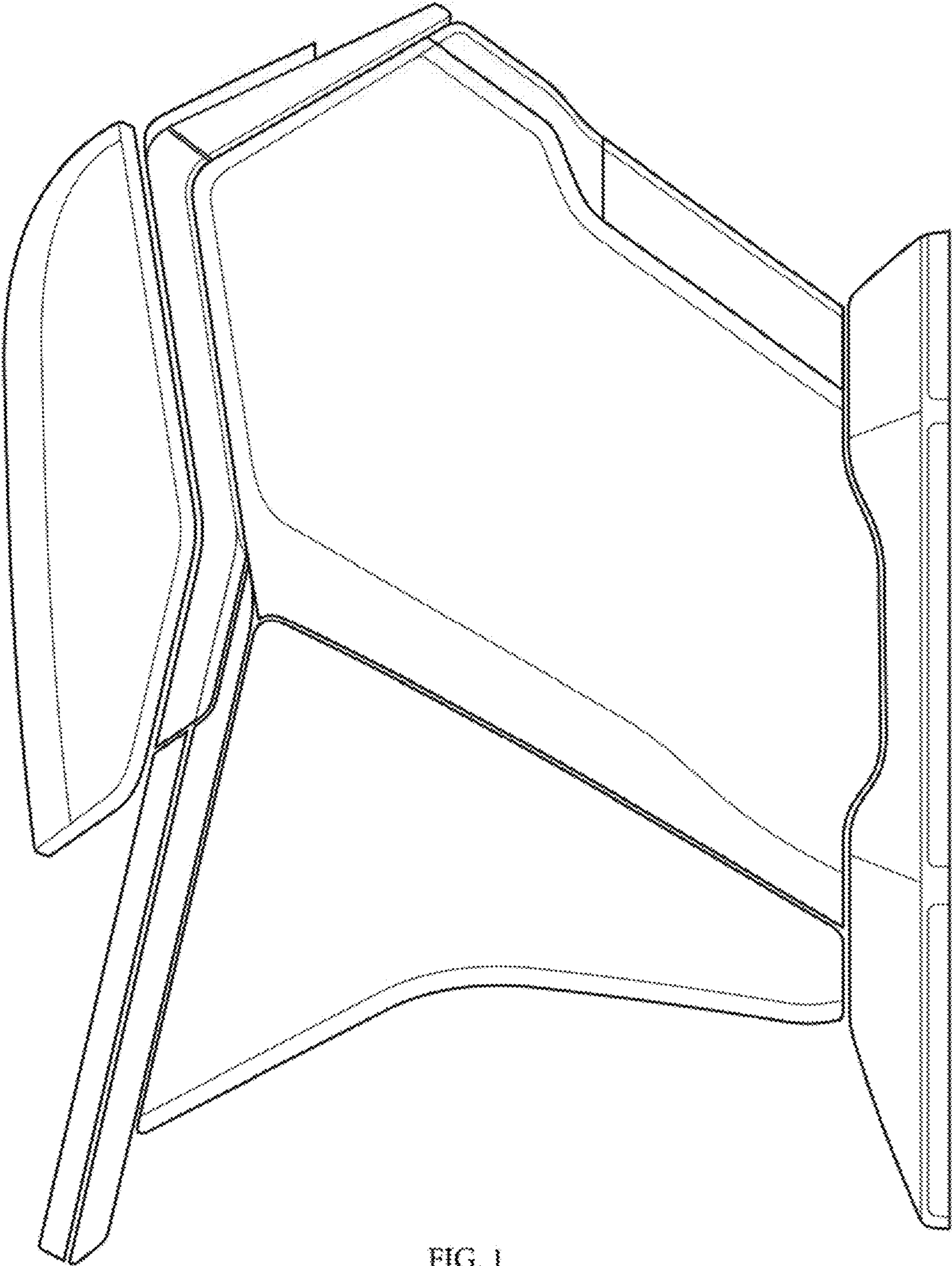


FIG. 1

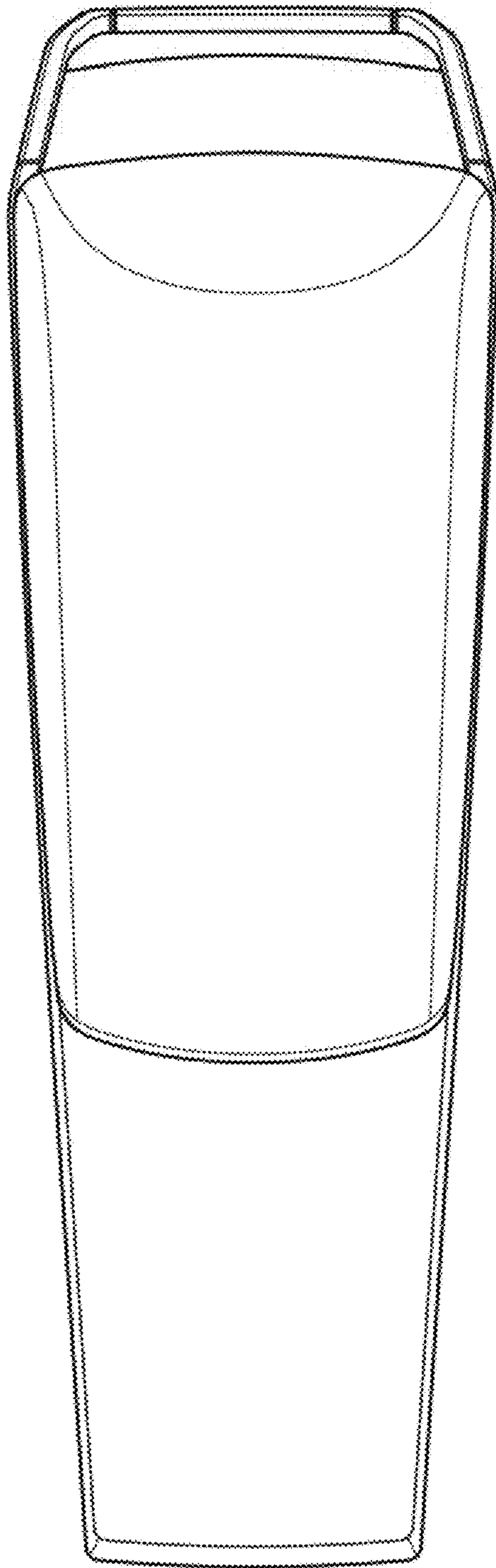


FIG. 2

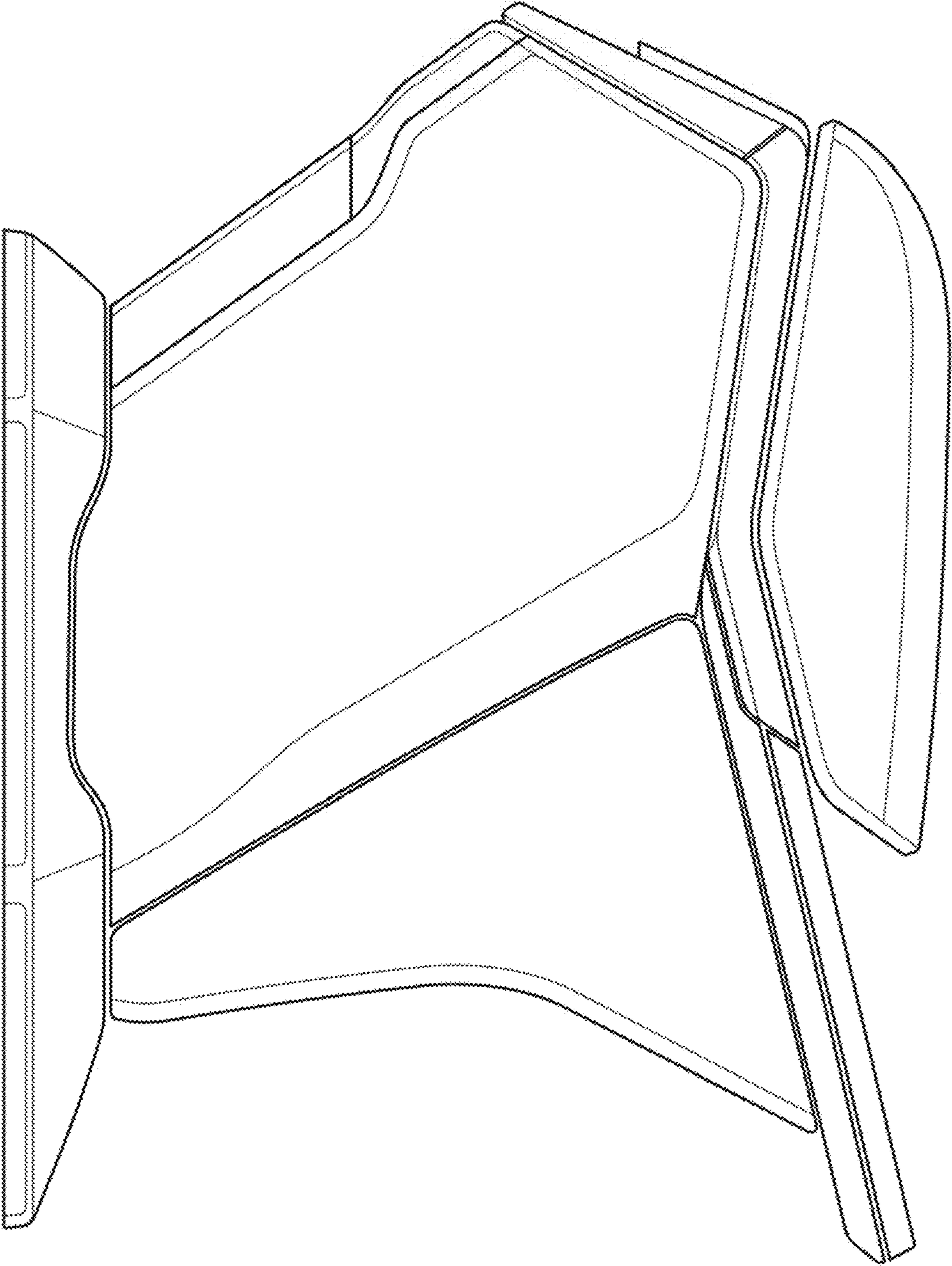


FIG. 3

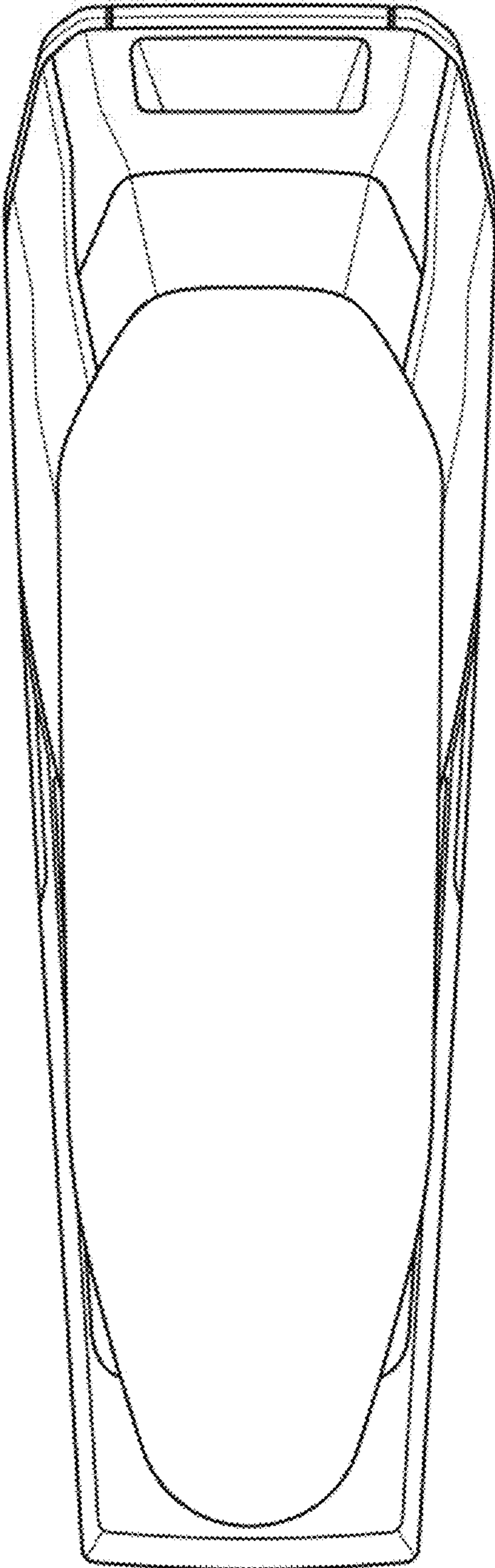


FIG. 4

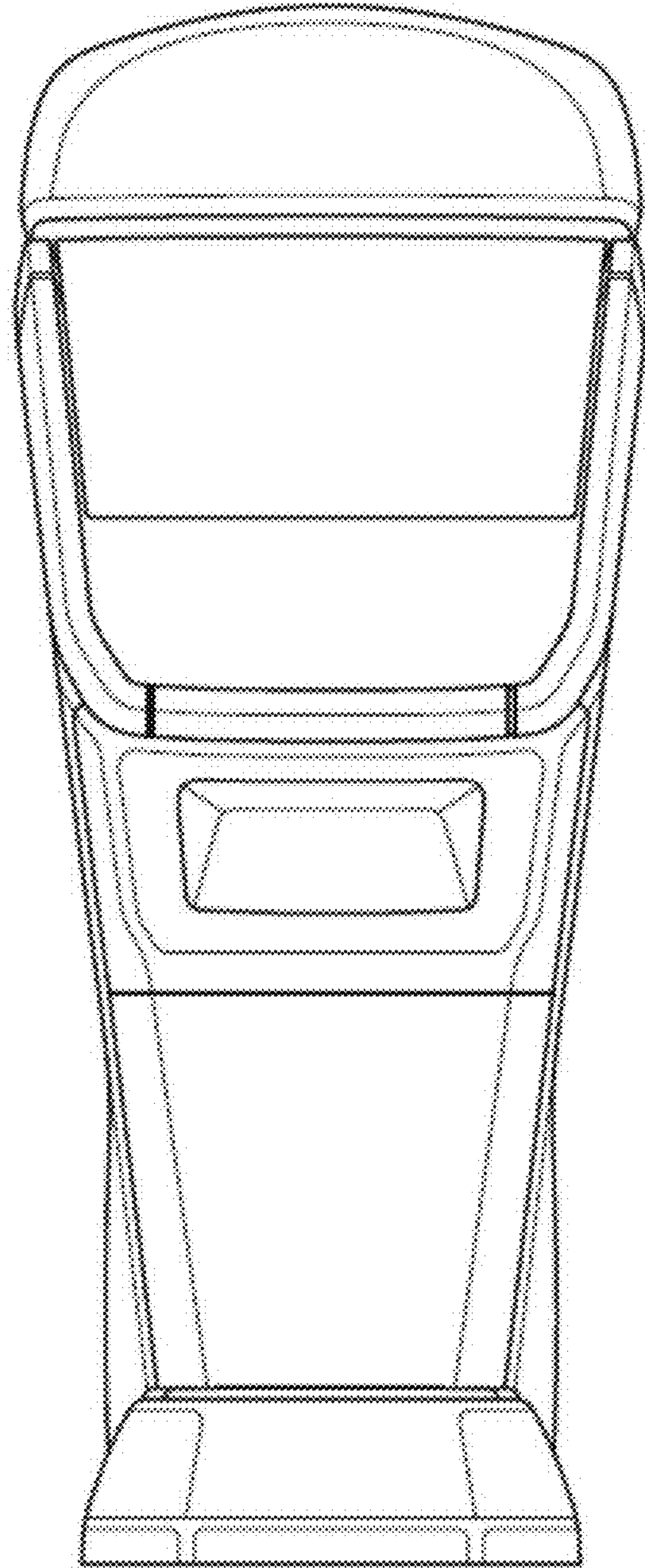


FIG. 5

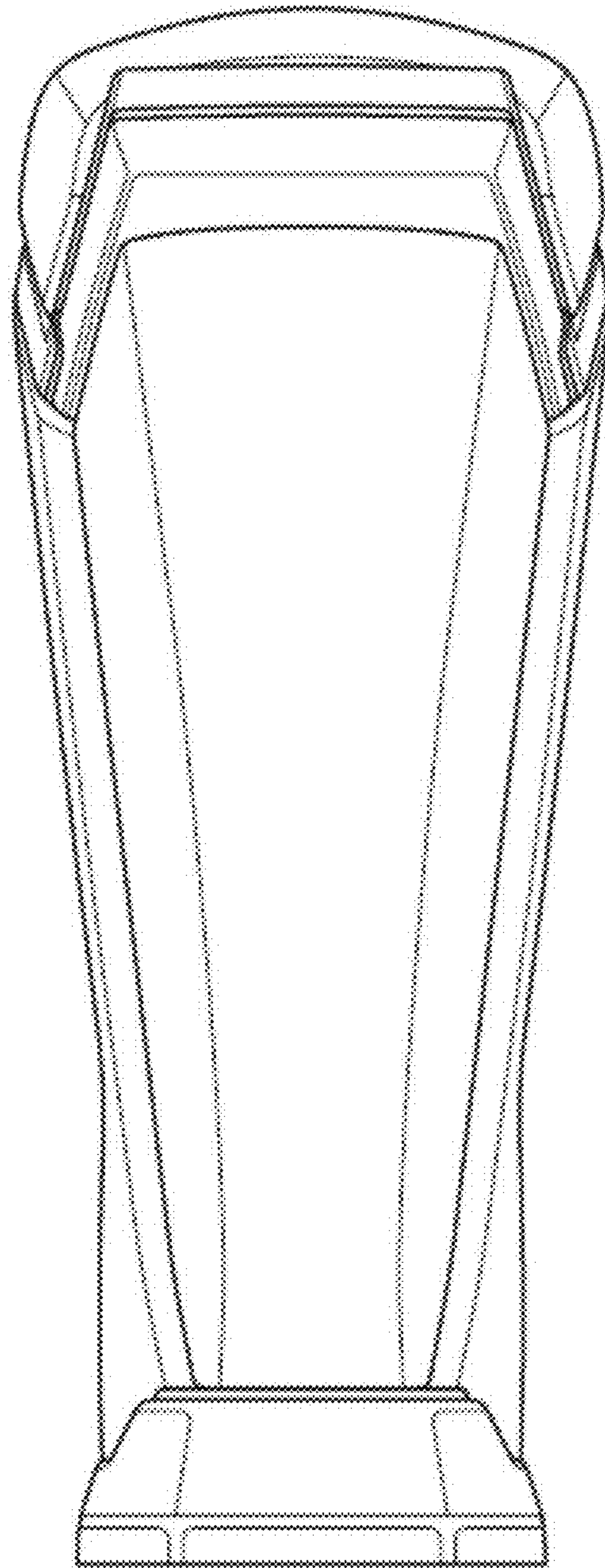


FIG. 6