



US00D922931S

(12) **United States Design Patent** (10) **Patent No.:** **US D922,931 S**
Badillo (45) **Date of Patent:** **** Jun. 22, 2021**

(54) **SUPPORT TOWER FOR A VEHICLE RACK**

2,800,264 A 7/1957 McFadyen
2,967,635 A 1/1961 Barnett
3,158,301 A 11/1964 Hedgpeeth
3,215,323 A 11/1965 Bonitt
3,260,929 A 7/1966 Hedgpeeth
(Continued)

(71) Applicant: **INTELLIGENT DESIGNS 2000 CORP.**, Aurora, CO (US)

(72) Inventor: **Paul Badillo**, Littleton, CO (US)

(73) Assignee: **INTELLIGENT DESIGNS 2000 CORP.**, Aurora, CO (US)

(**) Term: **15 Years**

(21) Appl. No.: **29/686,324**

(22) Filed: **Apr. 3, 2019**

(51) **LOC (13) Cl.** **12-16**

(52) **U.S. Cl.**
USPC **D12/412; D8/349**

(58) **Field of Classification Search**
USPC D12/106, 114, 172, 223, 400, 406, 412,
D12/414, 86, 93, 101, 107, 111, 117, 118,
D12/159, 164, 169, 170, 171, 196;
D21/561, 694; D8/71, 72, 106, 323, 327,
D8/349, 354, 380, 382
CPC .. B60R 9/00; B60R 9/04; B60R 9/042; B60R
9/048; B60R 9/058; B60P 3/1008; B62D
33/027; B62D 33/0207
See application file for complete search history.

(56) **References Cited**

U.S. PATENT DOCUMENTS

D30,369 S	3/1899	Mandt
D33,754 S	12/1900	Hien
704,436 A	7/1902	Cluff
744,113 A	11/1903	Rye
1,564,776 A	12/1925	Green
1,606,954 A	11/1926	Moen et al.
2,387,779 A	10/1945	Strauss
2,492,841 A	12/1949	Burkey
2,521,815 A	9/1950	Will
2,663,472 A	12/1953	Belgau
2,784,888 A	3/1957	Lecanu-Deschamps

OTHER PUBLICATIONS

RoundBar Tower, www.amazon.com [online]. Published on or before Oct. 19, 2020, [retrieved on Oct. 19, 2020], Retrieved from the Internet: <URL:https://www.amazon.com/Yakima-8003536-RoundBar-StreamLine-Adapter/dp/B0171A6IKC/ref=sr_1_1?dchild=1&keywords=8003536&qid=1603147545&sr=8-1> (Year: 2020).*
(Continued)

Primary Examiner — Christian P. McLean
Assistant Examiner — Adam C Mager
(74) *Attorney, Agent, or Firm* — Sheridan Ross P.C.

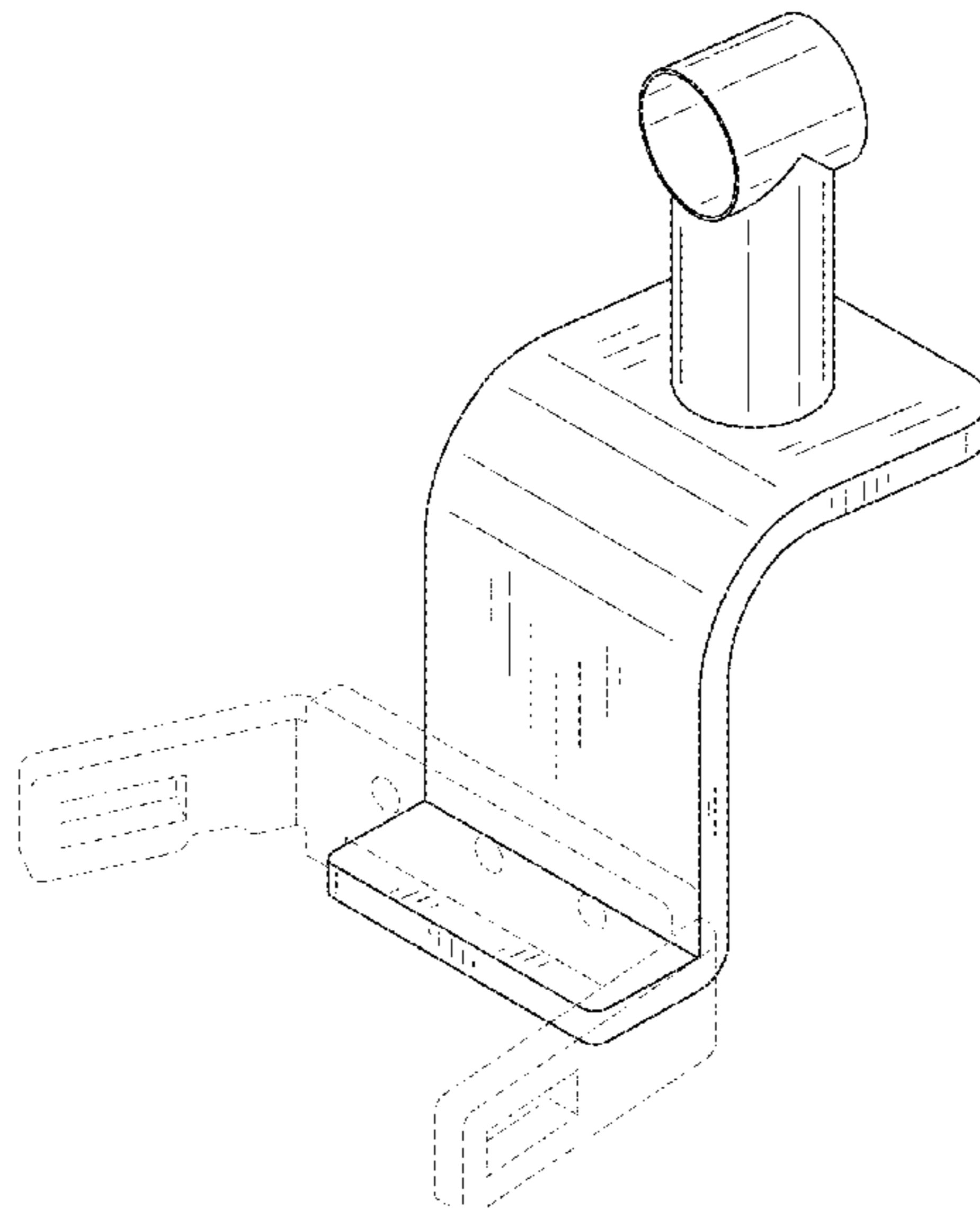
(57) **CLAIM**

The ornamental design for a support tower for a vehicle rack, as shown and described.

DESCRIPTION

FIG. 1 is a front perspective view of a support tower for a vehicle rack;
FIG. 2 is a front elevation view thereof;
FIG. 3 is a rear elevation view thereof;
FIG. 4 is a right elevation view thereof;
FIG. 5 is a left elevation view thereof;
FIG. 6 is a top plan view thereof; and,
FIG. 7 is a bottom plan view thereof.
The broken lines are included for the purpose of illustrating environment and form no part of the claimed design. Also provided herewith is an Appendix showing various views of a support tower for a rack for a vehicle, the entirety of which is incorporated herein by reference. The Appendix forms no part of the claimed design.

1 Claim, 7 Drawing Sheets



(56)

References Cited

U.S. PATENT DOCUMENTS

3,330,454 A 7/1967 Bott
 3,531,006 A 9/1970 Farchmin
 D223,753 S 6/1972 Seals
 3,762,587 A 10/1973 Longee, Sr.
 3,765,713 A 10/1973 Suitt
 3,902,642 A 9/1975 McNeece
 3,905,499 A 9/1975 Speidel
 3,915,323 A 10/1975 Underhill
 D243,447 S 2/1977 Smith, III et al.
 4,240,571 A 12/1980 Ernst
 4,249,683 A 2/1981 Park
 4,336,897 A 6/1982 Luck
 4,350,471 A 9/1982 Lehman
 4,538,752 A 9/1985 Welter
 D294,137 S * 2/1988 Robson D12/412
 D299,224 S * 1/1989 Kamaya D12/412
 D299,913 S 2/1989 Arvidsson
 4,817,834 A 4/1989 Weiler
 D306,990 S * 4/1990 Bott D12/412
 4,948,024 A 8/1990 Warner et al.
 4,995,538 A 2/1991 Marengo
 D324,664 S 3/1992 Burnette
 5,171,083 A 12/1992 Rich
 D340,690 S * 10/1993 Arvidsson D12/412
 D344,482 S * 2/1994 Arvidsson D12/412
 5,320,061 A 6/1994 Laughlin et al.
 5,381,939 A 1/1995 Tippets
 D359,134 S 6/1995 Toews
 5,492,259 A 2/1996 Tippets
 5,560,525 A 10/1996 Grohmann et al.
 D406,557 S 3/1999 Bentley
 D413,562 S 9/1999 Van Dusen et al.
 D415,718 S 10/1999 Aghaci
 6,003,633 A 12/1999 Rolson
 6,015,074 A 1/2000 Snavely et al.
 D422,553 S 4/2000 VonDuyke
 6,116,378 A 9/2000 Barrow
 6,126,051 A 10/2000 Potter
 D434,364 S 11/2000 Bauer et al.
 6,152,339 A 11/2000 Kreisler
 D434,718 S 12/2000 Kreisler
 D435,510 S 12/2000 Quidort
 6,179,180 B1 1/2001 Walker et al.
 D442,289 S 5/2001 Ziaylek et al.
 D448,717 S * 10/2001 Hanson D12/162
 D449,029 S * 10/2001 Hanson D12/162
 6,308,874 B1 10/2001 Kim et al.
 6,425,508 B1 7/2002 Cole et al.
 6,428,263 B1 8/2002 Schellens
 D463,358 S 9/2002 Thomas
 D470,451 S 2/2003 Bushart et al.
 6,561,397 B1 5/2003 Bauer et al.
 6,581,813 B2 6/2003 Bove et al.
 D477,562 S 7/2003 McCoy et al.
 6,604,606 B1 8/2003 McDougal et al.
 D479,884 S 9/2003 Berryman
 D481,003 S 10/2003 Bauer et al.
 6,715,652 B2 4/2004 Kmita et al.
 D490,163 S 5/2004 Thurston
 6,739,349 B2 5/2004 Kastenschmid et al.
 6,755,332 B2 6/2004 Crane et al.
 6,772,928 B2 8/2004 Ford et al.
 D508,015 S 8/2005 Badillo
 D512,783 S 12/2005 Badillo
 D520,938 S 5/2006 Badillo
 D521,486 S 5/2006 Yokoyama
 7,055,454 B1 6/2006 Whiting et al.
 D537,404 S 2/2007 Bauer et al.
 7,226,226 B2 6/2007 Troman
 7,226,266 B2 6/2007 Henderson et al.
 7,249,927 B2 7/2007 Wooten et al.
 D549,838 S 8/2007 Badillo
 D558,123 S 12/2007 Murillo
 D564,419 S 3/2008 Clontz
 D578,952 S 10/2008 Badillo

D597,924 S 8/2009 Smith
 D603,321 S 11/2009 Kramer
 D604,687 S 11/2009 Malik
 D621,328 S 8/2010 Sistare et al.
 D624,005 S 9/2010 Winner et al.
 D638,333 S 5/2011 Freeman
 D650,316 S 12/2011 Pirolo et al.
 8,496,146 B2 7/2013 Badillo
 8,591,164 B2 11/2013 Prosser
 D702,620 S 4/2014 Read et al.
 D717,631 S 11/2014 Elbl
 D758,256 S * 6/2016 Cropley D12/412
 D765,577 S 9/2016 Kmita et al.
 D772,783 S 11/2016 Schleef
 D777,080 S * 1/2017 Cropley D12/412
 9,676,343 B2 6/2017 Badillo
 D793,946 S 8/2017 Badillo
 D815,012 S 4/2018 Badillo
 D825,924 S 8/2018 Tuang
 D831,562 S * 10/2018 Salsi D12/412
 D840,914 S 2/2019 Badillo
 D840,915 S 2/2019 Badillo
 D840,916 S 2/2019 Badillo
 D850,353 S * 6/2019 Badillo D12/223
 D867,262 S * 11/2019 Eriksson D12/412
 D879,703 S 3/2020 Perry et al.
 D881,792 S * 4/2020 Tang D12/412
 2005/0082326 A1 4/2005 Badillo
 2005/0092796 A1 5/2005 Essig
 2005/0095102 A1 5/2005 Watson
 2011/0101056 A1 5/2011 Barkey
 2017/0203697 A1 7/2017 Badillo
 2018/0319270 A1 11/2018 Tier et al.

OTHER PUBLICATIONS

U.S. Appl. No. 29/535,865, filed Aug. 11, 2015, Badillo.
 Advertisement: Yakima Spare Tire Carrier, Cargo Basket for Roof Racks, available at http://www.rackoutfitters.com/catalog/yakima_spare_tire_carrier_1836640.htm, dated Jul. 7, 2003, 1 page.
 Advertisement: Thule 840-Playpen Basket, Cargo Basket for Roof Racks, available at http://www.rackoutfitters.com/catalog/thule_840_-_playpen_basket_1885452.htm, dated Jul. 7, 2003, 1 page.
 Advertisement: Surco, Products, Inc., "Basket rack-it just flat out carries what you need to take," available at http://www.everythingsuv.com/surco_safari_roof_racks-esuv.asp, dated Jul. 7, 2003, 10 pages.
 Advertisement: KargoMaster, Kargo Master Safari Racks, available at http://www.kargomaster.com/jeep23.asp?rack=sport_jeep, Jul. 7, 2007, 1 page.
 Advertisement: KargoMaster, The Bushman Steel Rack, available at <http://www.kargomaster.com/bushman.asp?type=Jeep>, dated Jul. 7, 2003, 1 page.
 Advertisement: KargoMaster, Seregenti Telescoping Steel Rack, available at <http://www.kargomaster.com/seregenti.asp?type=Jeep>, dated Jul. 7, 2003, 1 page.
 Advertisement: Bauer Vehicle Gear Roof Racks, Roof Storage, Bike Storage & Pet Barriers from Eve, available at http://www.everythingsuv.com/bvg_products-esuv.asp, Jul. 7, 2003, 2 pages.
 Advertisement: Manik Original Off-Road Equipment, Hummer Rough Terrain Package New Product Release "Tilt-Forward 1-Piece Front Bar," 2002, 1 page.
 Advertisement: Manik Original Off-Road Equipment, Hummer Rough Terrain Package New Product Release "Combination Tube Step Rocker Bar," 2002, 1 page.
 U.S. Appl. No. 15/586,769, filed May 4, 2017, Badillo.
 U.S. Appl. No. 29/612,929, filed Aug. 4, 2017, Badillo.
 U.S. Appl. No. 29/641,814, filed Mar. 16, 2018, Badillo.
 U.S. Appl. No. 16/355,179, filed Mar. 15, 2019, Badillo.
 Advertisement: Congo Cage Jeep Rack, available at <http://www.kargomaster.com/item.asp?id=62>, printed Apr. 17, 2009, 13 pages.
 Product Literature entitled, "921-Dave's Rack 921-12X," Olympic 4X4, date unknown, 10 pages.
 Advertisement: 921—Daves Rack, Olympic 4X4 Products for over 60 years, available at <http://olympic4x4products.com/utility-racks/921-daves-rack>, printed Jan. 14, 2011, 3 pages.

(56)

References Cited

OTHER PUBLICATIONS

“Installation Guide: BR-JPTJ2D-1-0 BajaRack Jeep TJ 2 Doors,” BajaRack Adventure Equipment, 4 page, first sold 2013.
“BR-JPJK-Series Installation Instructions,” BajaRack Adventure Equipment, 5 pages, first sold 2013.
“Gobi Jeep JL 4 Door Roof Rack Gen 1 Installation Instructions,” Intelligent Designs 2000 Corporation, Aug. 29, 2018, Part No. GJJLRG1, 26 pages [retrieved online from: www.gobiracks.com/wp-content/uploads/2019/01/Jeep-JL-Rack-Install-Guide.pdf].
“Installation Guide: BR-JP-JK4D-1-0 BajaRack Jeep JK 4 Doors,” BajaRack Adventure Equipment, 6 pages, first sold 2013.
Official Action for U.S. Appl. No. 12/861,034 dated Oct. 4, 2012, 16 pages.
Notice of Allowance for U.S. Appl. No. 12/861,034 dated Mar. 29, 2013, 7 pages.
Official Action for U.S. Appl. No. 13/942,489 dated May 3, 2016, 11 pages.
Final Action for U.S. Appl. No. 13/942,489 dated Sep. 29, 2016, 15 pages.
Notice of Allowance for U.S. Appl. No. 13/942,489 dated Feb. 7, 2017, 5 pages.
Official Action for U.S. Appl. No. 29/535,865 dated Aug. 23, 2016, 5 pages.
Final Action for U.S. Appl. No. 29/535,865 dated Feb. 2, 2017, 8 pages.
Official Action for U.S. Appl. No. 29/535,865, dated Nov. 3, 2017 10 pages.
Official Action for U.S. Appl. No. 29/535,865, dated Jun. 28, 2018, 9 pages.
Notice of Allowance for U.S. Appl. No. 29/535,865, dated Jan. 14, 2019, 8 pages.

Notice of Allowance for U.S. Appl. No. 29/535,957 dated Mar. 27, 2017, 6 pages.
Notice of Allowance for U.S. Appl. No. 29/612,929 dated Sep. 27, 2018, 7 pages.
Notice of Allowance for U.S. Appl. No. 29/612,927 dated Sep. 27, 2018, 7 pages.
Notice of Allowance for U.S. Appl. No. 29/612,924 dated Sep. 27, 2018, 7 pages.
Official Action for U.S. Appl. No. 15/586,769 dated Jul. 17, 2017 14 pages.
Official Action for U.S. Appl. No. 15,586,769, dated Dec. 5, 2017 9 pages.
Official Action for U.S. Appl. No. 15/586769, dated Jun. 26, 2018, 8 pages.
Notice of Allowance for U.S. Appl. No. 15/586769, dated Jan. 28, 2019, 5 pages.
Notice of Allowance for U.S. Appl. No. 29/612,930, dated Sep. 27, 2018, 7 pages.
Official Action for U.S. Appl. No. 15/344,244, dated Jun. 21, 2018, 11 pages.
Notice of Allowance for U.S. Appl. No. 15/344,244, dated Feb. 21, 2019, 14 pages.
Official Action for U.S. Appl. No. 16/516,530, dated Feb. 3, 2020 9 pages.
Official Action for U.S. Appl. No. 16/516,530, dated Jul. 29, 2020 11 pages.
Official Action for U.S. Appl. No. 29/640,814, dated Jul. 14, 2020 5 pages Restriction Requirement.
Notice of Allowance for U.S. Appl. No. 29/640,814, dated Nov. 12, 2020 7 pages.

* cited by examiner

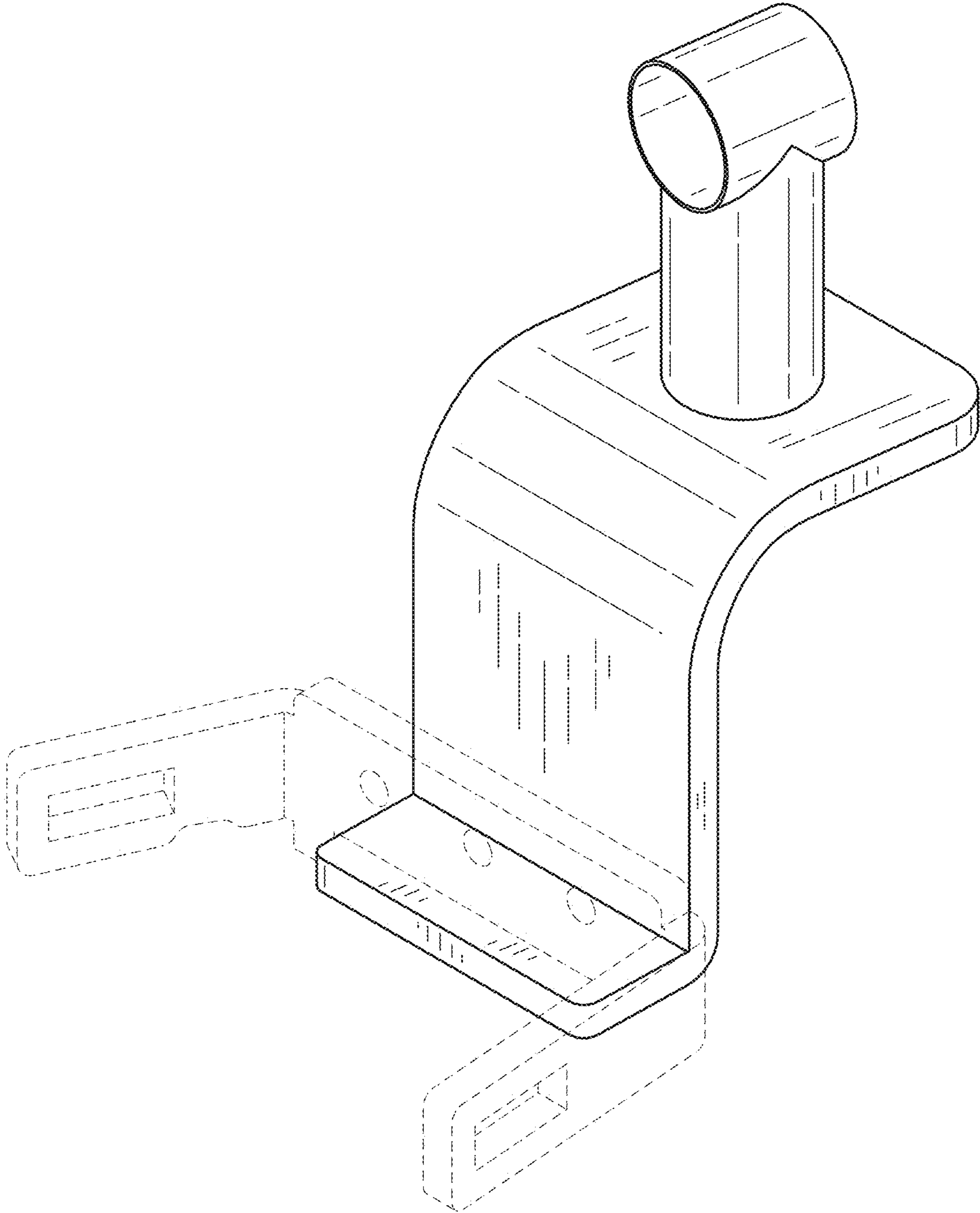


FIG. 1

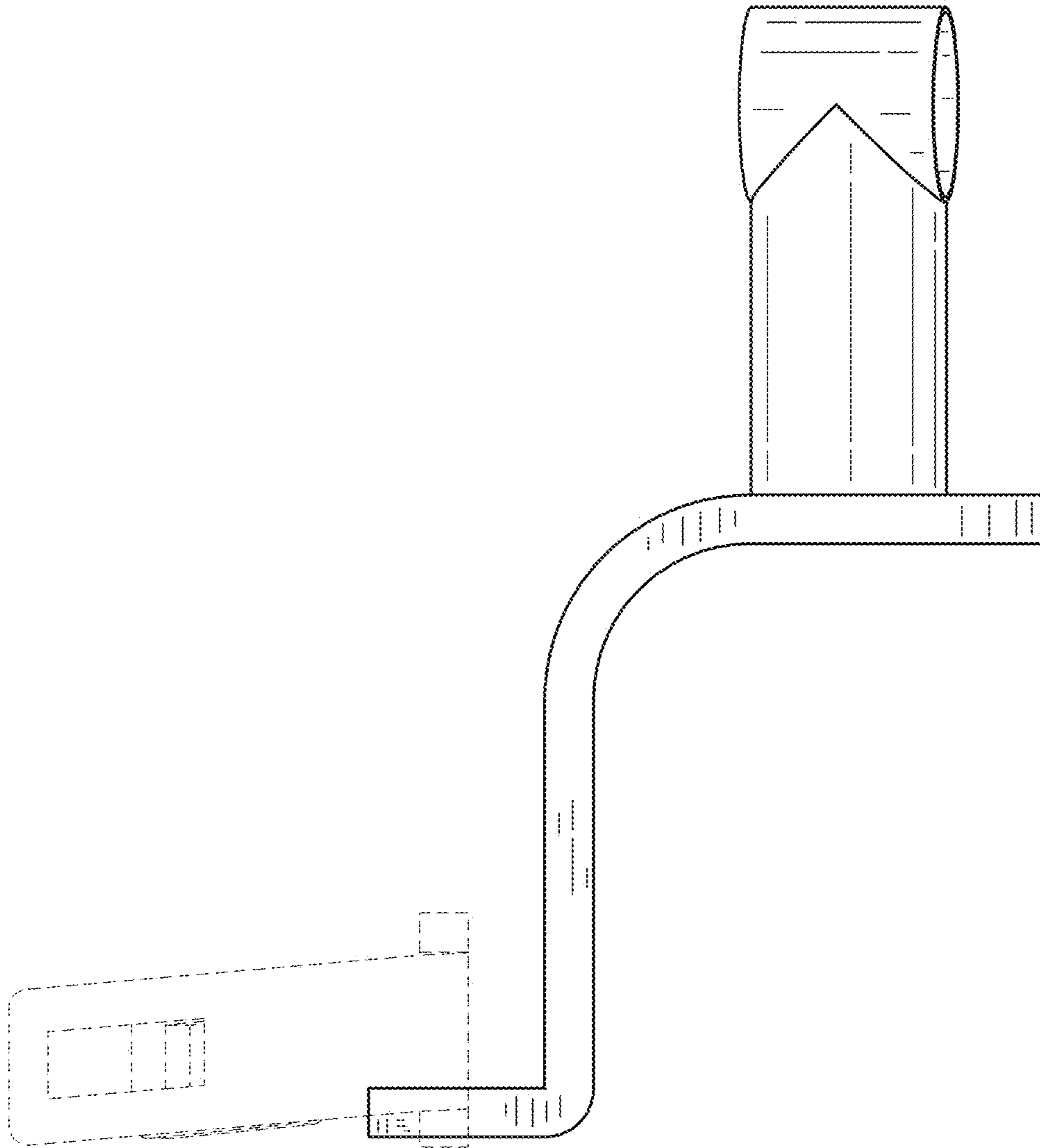


FIG. 2

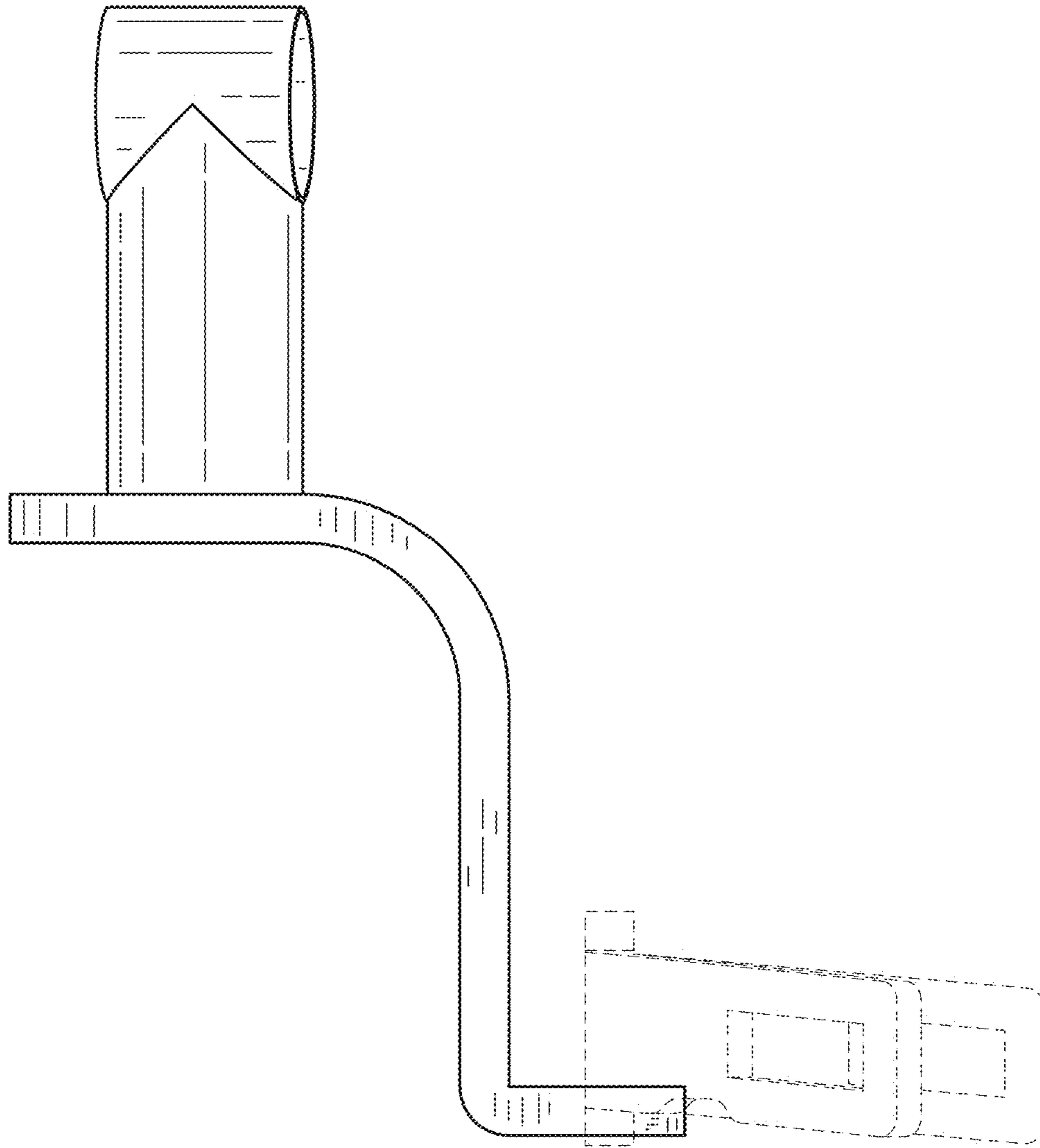


FIG. 3

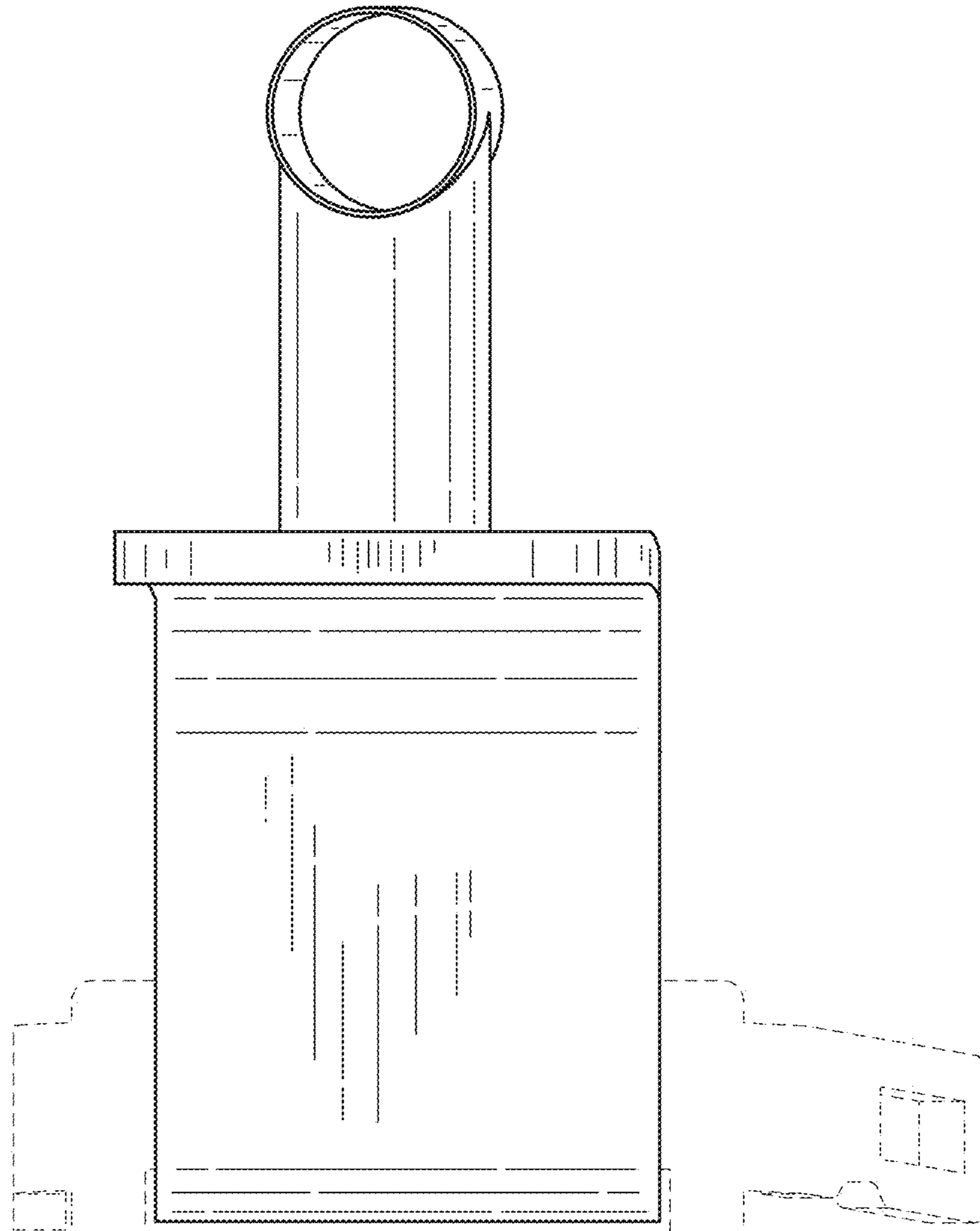


FIG. 4

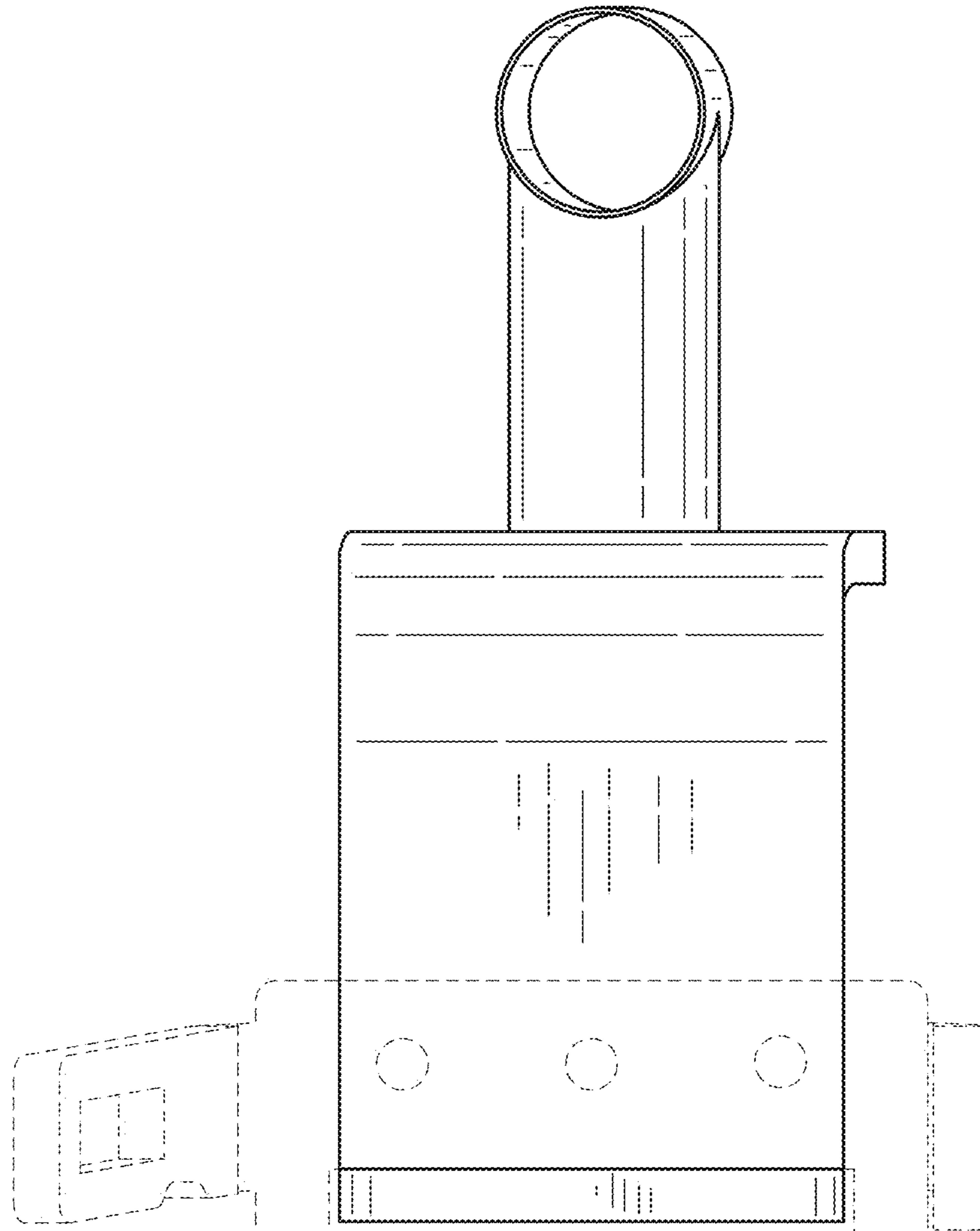


FIG.5

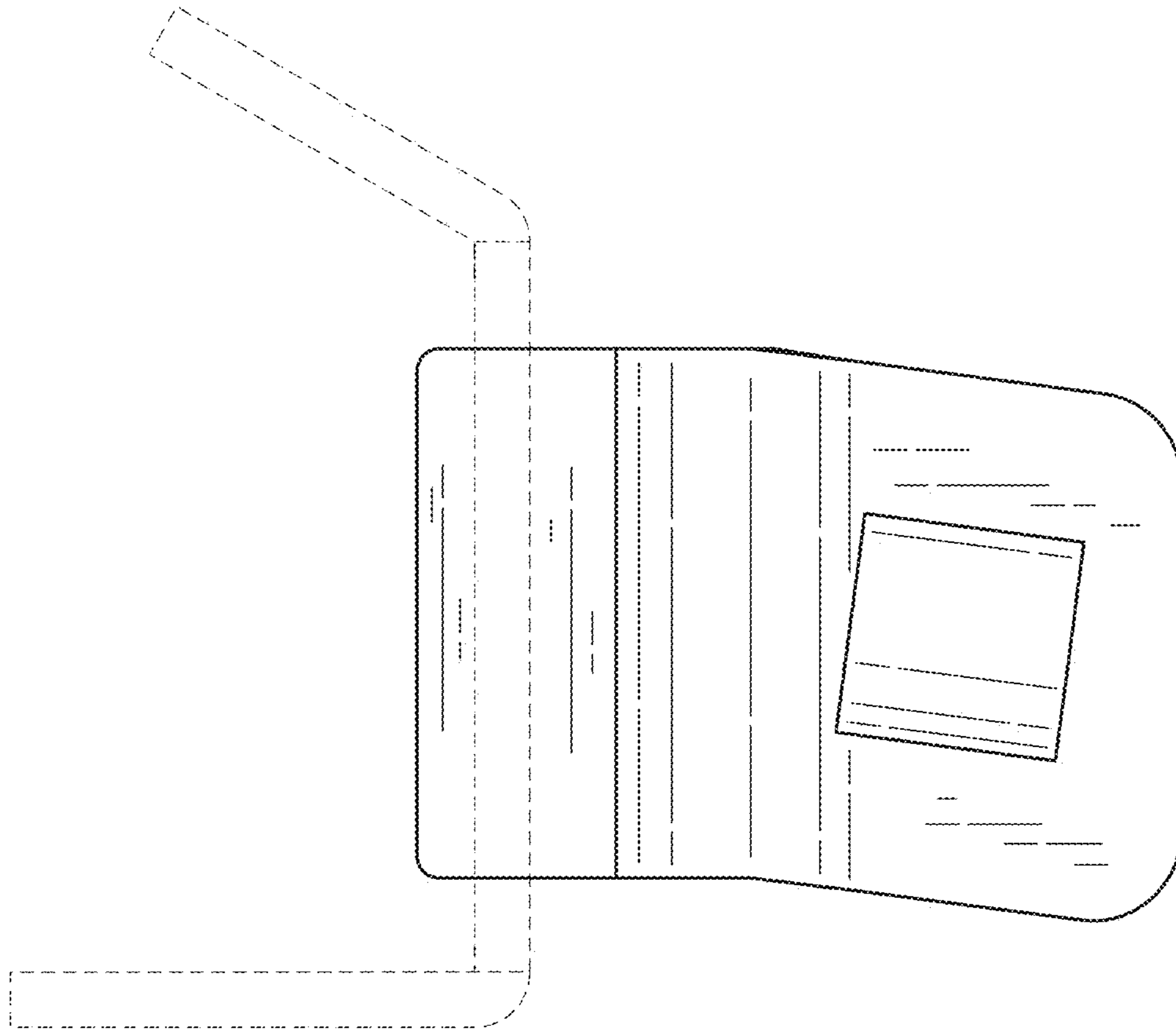


FIG.6

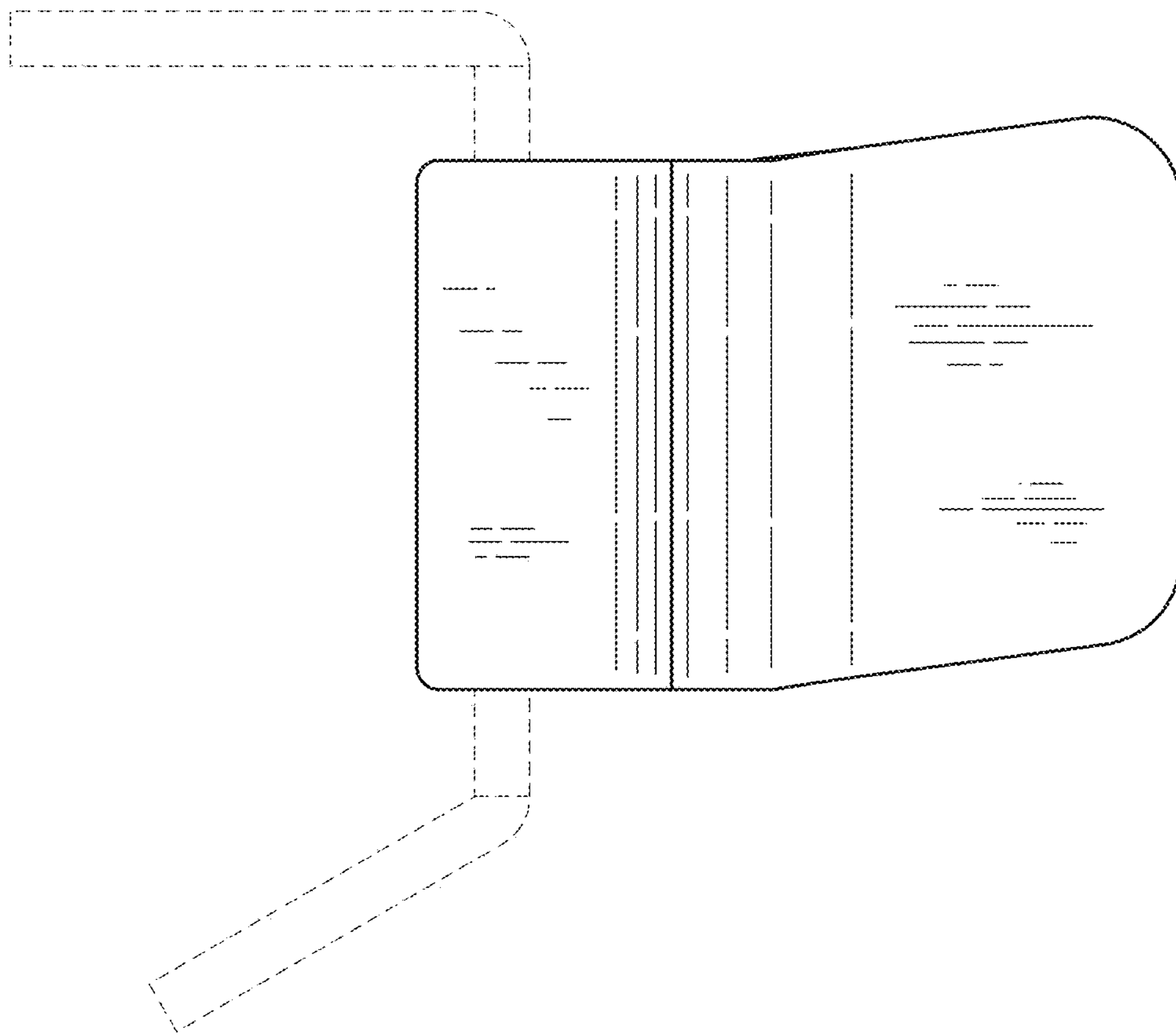


FIG. 7