



US00D922930S

(12) **United States Design Patent**
Cummings

(10) **Patent No.:** **US D922,930 S**

(45) **Date of Patent:** **** Jun. 22, 2021**

(54) **AIRCRAFT**

(71) Applicant: **Darold B. Cummings**, Coeur D'Alene, ID (US)

(72) Inventor: **Darold B. Cummings**, Coeur D'Alene, ID (US)

(**) Term: **15 Years**

(21) Appl. No.: **29/667,489**

(22) Filed: **Oct. 22, 2018**

(51) **LOC (13) Cl.** **12-07**

(52) **U.S. Cl.**
USPC **D12/341**

(58) **Field of Classification Search**
USPC D12/319-345, 16.1, 1-4, 415;
D21/436-455; D14/218
CPC B64C 2201/146; B64C 2201/027; B64C
2201/104; B64C 25/06; B64C 25/24;
B64C 39/04; B64C 5/02
See application file for complete search history.

(56) **References Cited**

U.S. PATENT DOCUMENTS

D278,837 S *	5/1985	Ninomiya	D21/449
D495,762 S *	9/2004	Darack	D12/321
D598,361 S *	8/2009	Beunis	D12/343
D628,528 S *	12/2010	Cabezas Carrasco	D12/319
8,313,055 B2 *	11/2012	Gall	B64D 27/02 244/1 N
D691,547 S *	10/2013	Hall	D12/319
D702,622 S *	4/2014	Klimov	D12/319
D735,633 S *	8/2015	Viala	D12/319
D755,702 S *	5/2016	Hall	D12/343
D760,637 S *	7/2016	Cummings	D12/343
D797,641 S *	9/2017	Cummings	D12/343
9,754,496 B2 *	9/2017	Chan	G08G 5/0043
D800,843 S *	10/2017	Sartorius	D21/447

D807,273 S *	1/2018	Koppenwallner	D12/337
D829,633 S *	10/2018	Cummings	D12/337
D852,721 S *	7/2019	Cummings	D12/343
D858,420 S *	9/2019	Calcedonio Boscarino	D12/323
D859,280 S *	9/2019	Calcedonio Boscarino	D12/323
10,468,545 B1 *	11/2019	Yang	B64C 3/26
D902,829 S *	11/2020	Cummings	D12/343
2008/0073459 A1 *	3/2008	Cazals	B64C 5/06 244/13
2012/0138736 A1 *	6/2012	Cazals	B64C 1/068 244/54
2012/0160968 A1 *	6/2012	Barmichev	B64C 1/00 244/45 R
2018/0273194 A1 *	9/2018	Edgar	B64C 39/024
2019/0092448 A1 *	3/2019	Boscarino	B64C 39/10
2019/0329861 A1 *	10/2019	Kruse	B64C 39/024

* cited by examiner

Primary Examiner — Marissa J Cash
(74) *Attorney, Agent, or Firm* — Morland C. Fischer

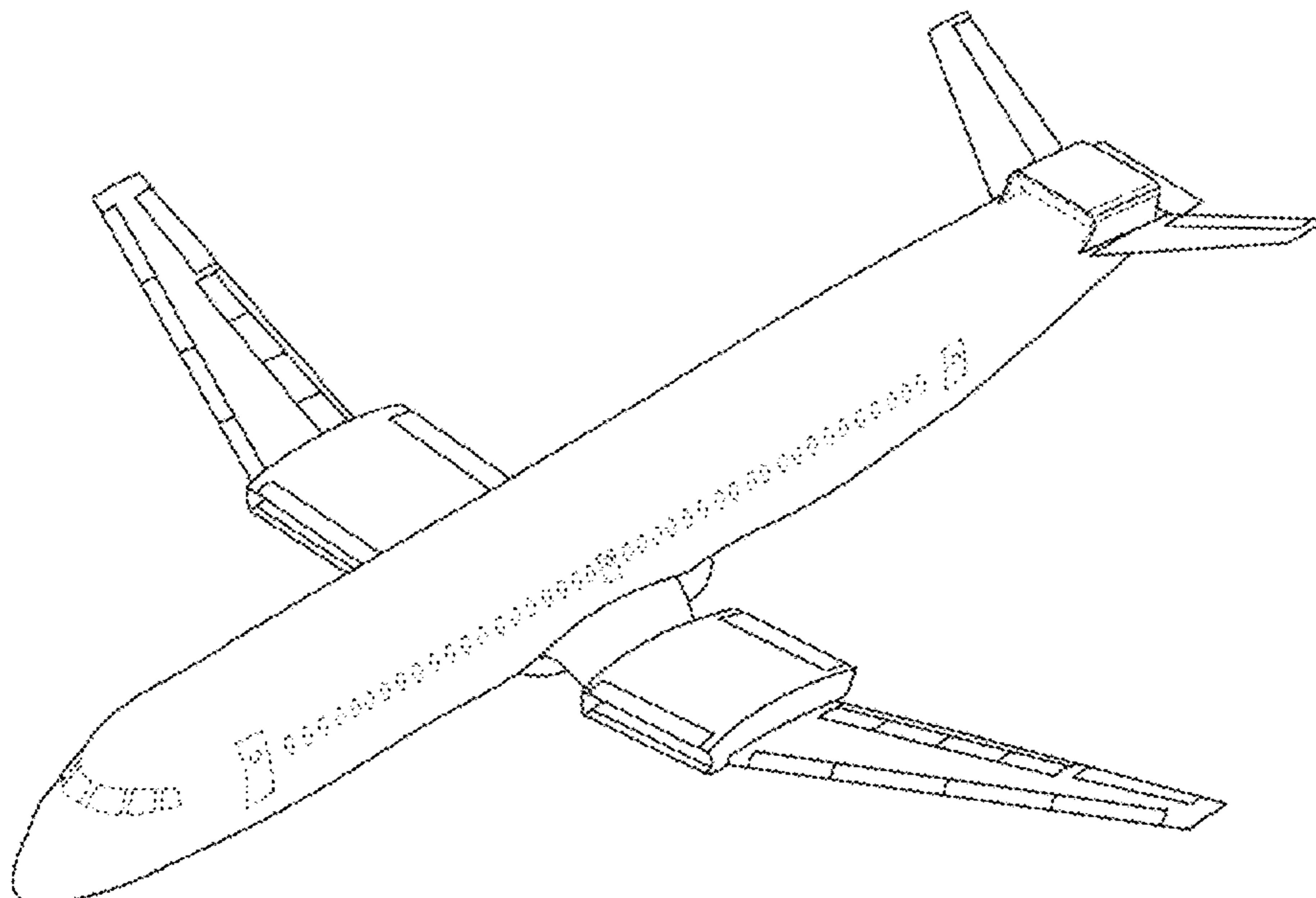
(57) **CLAIM**

The ornamental design for an aircraft, as shown and described.

DESCRIPTION

FIG. 1 is a perspective view showing the top, left side and front of an aircraft which forms my new design;
FIG. 2 is a top plan view thereof;
FIG. 3 is a left side elevational view thereof,
FIG. 4 is a right side elevational view thereof;
FIG. 5 is a bottom plan view thereof;
FIG. 6 is a front elevational view thereof; and,
FIG. 7 is a rear elevational view thereof.
The broken line portions of the figure drawings are included to show environment that forms no part of the claimed design.

1 Claim, 4 Drawing Sheets



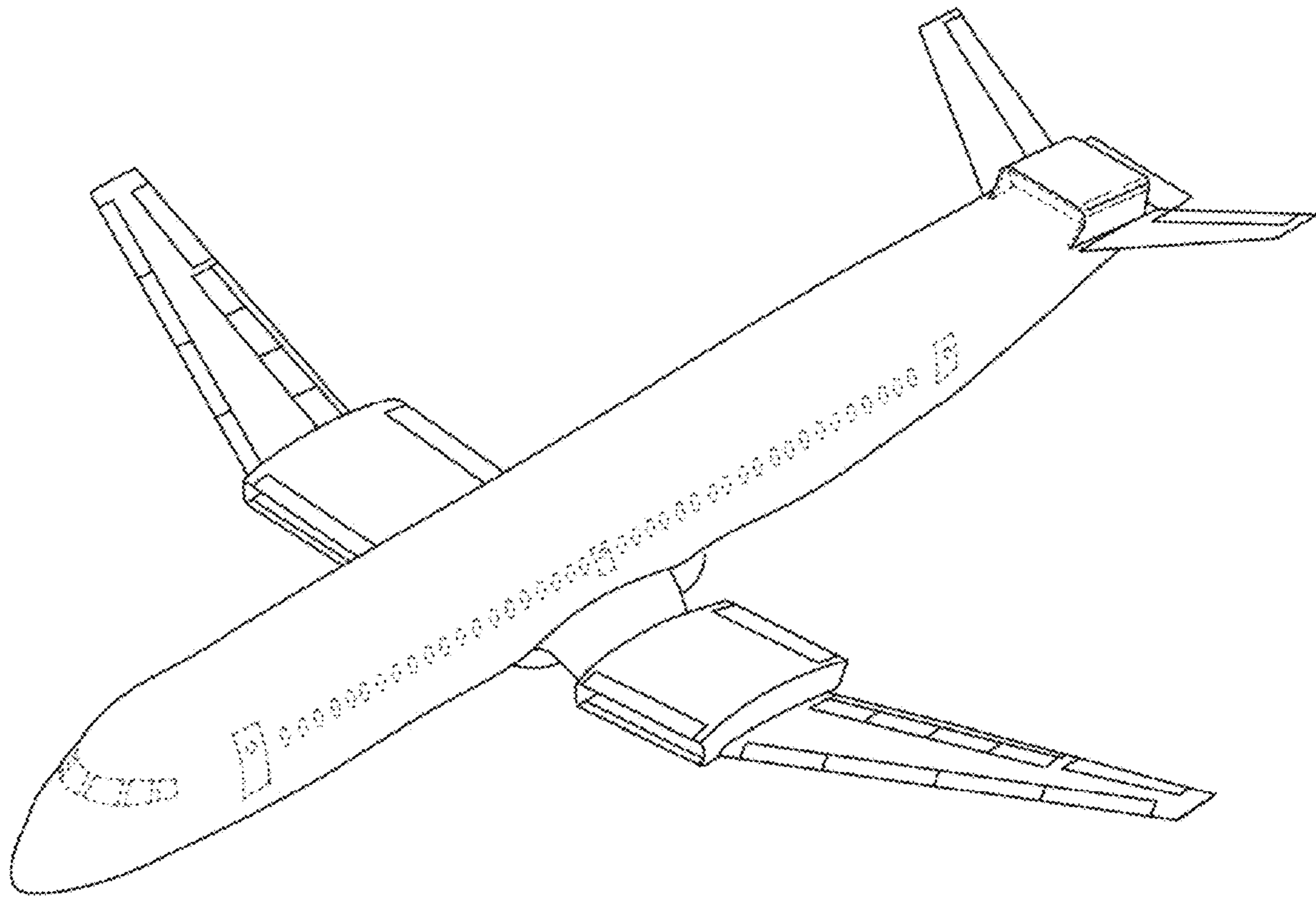


FIG. 1

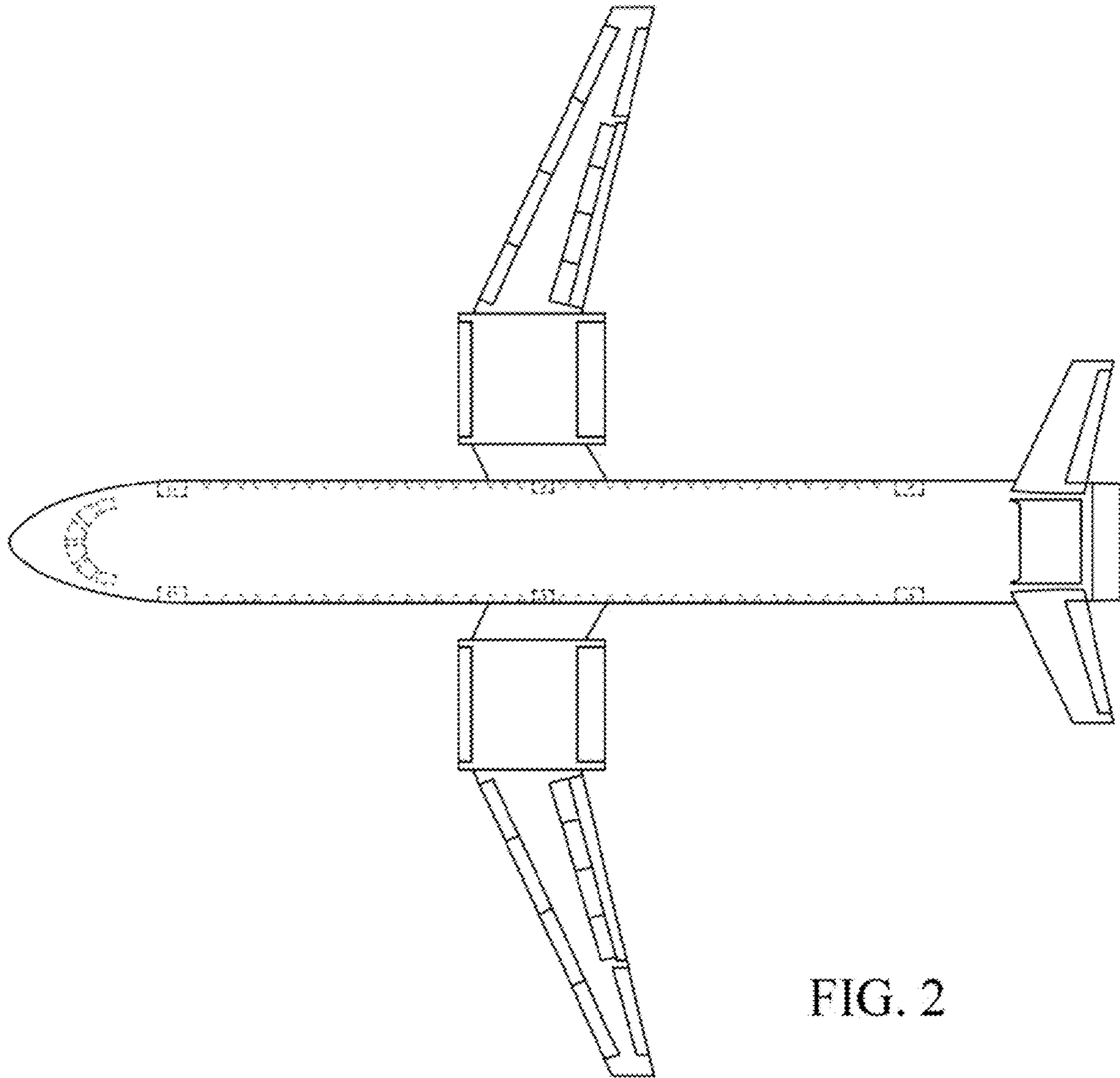


FIG. 2

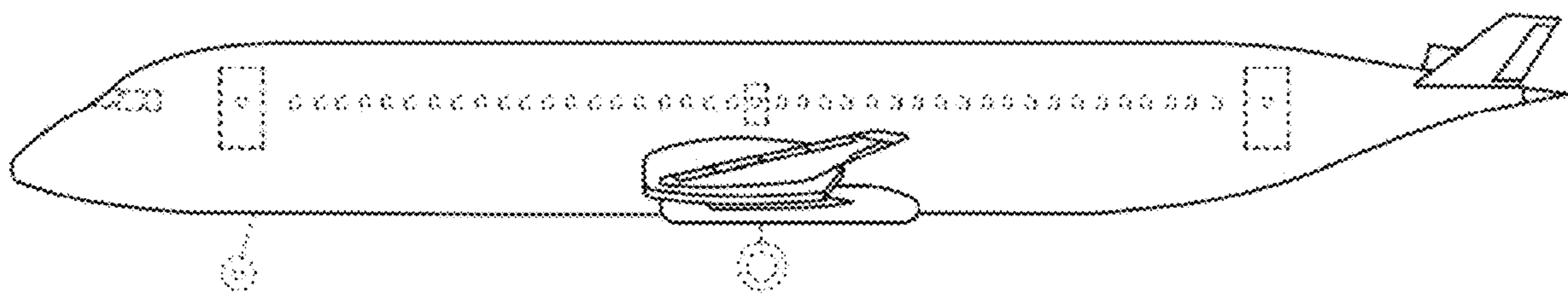


FIG. 3

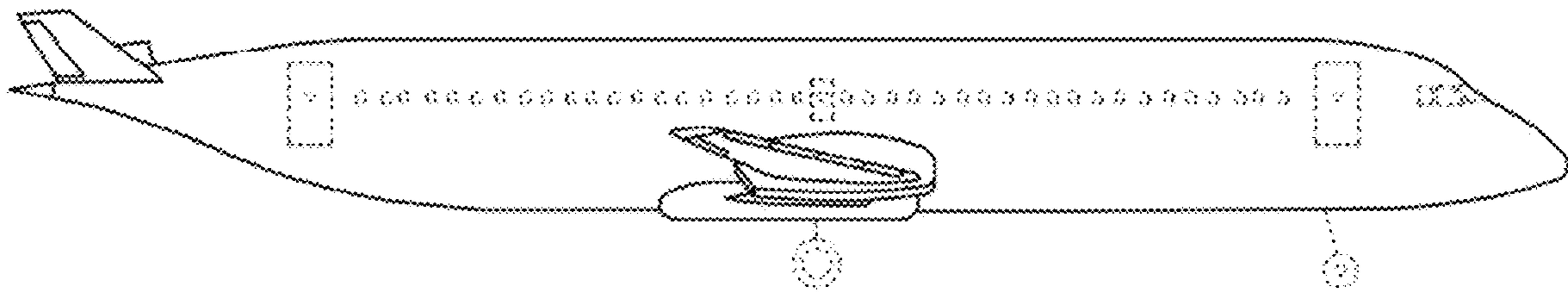


FIG. 4

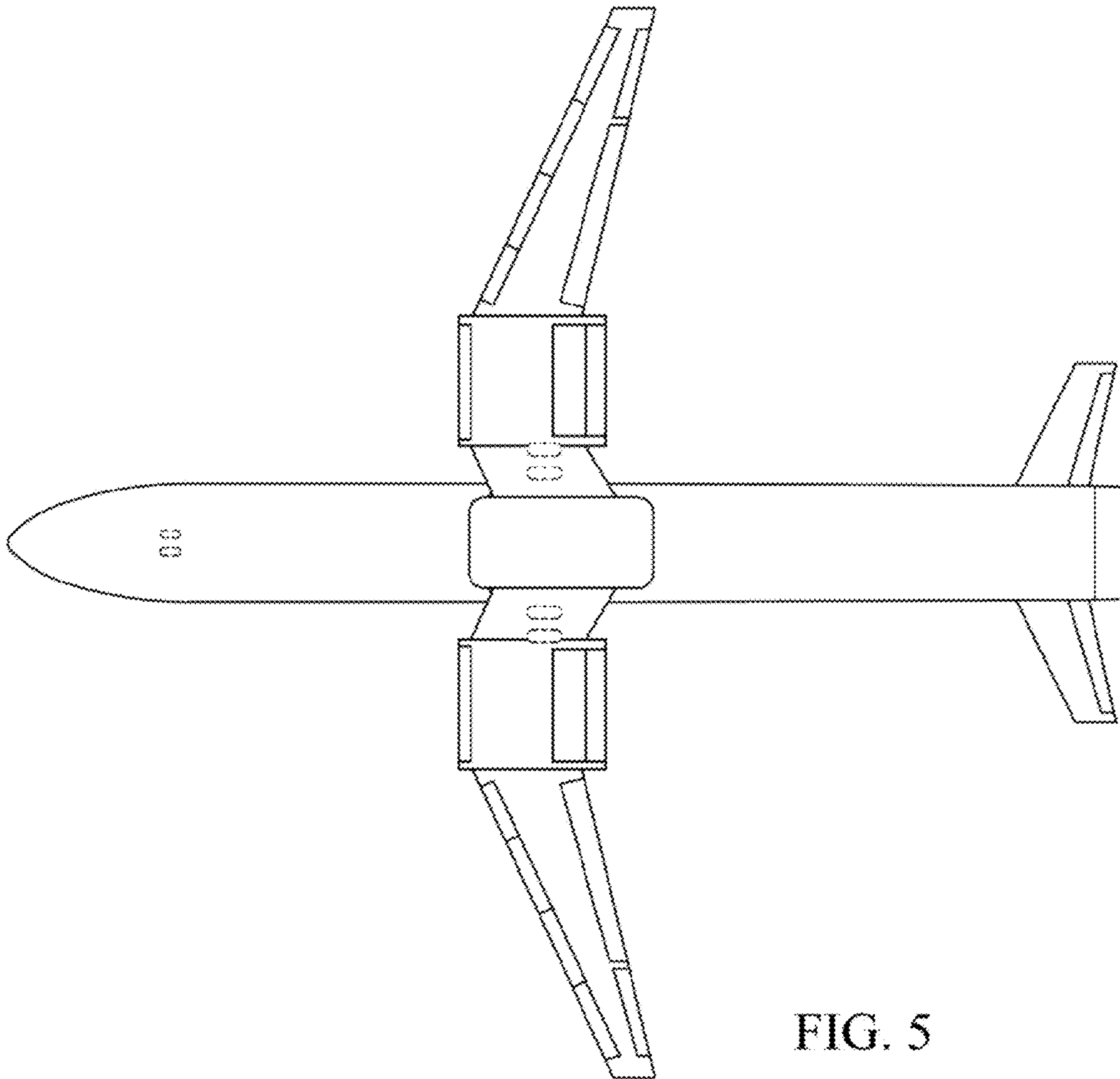


FIG. 5

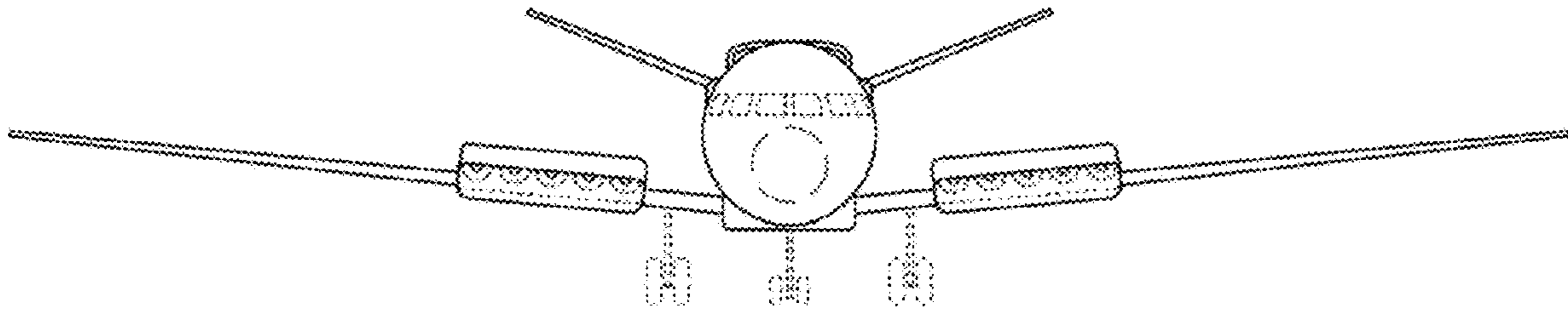


FIG. 6

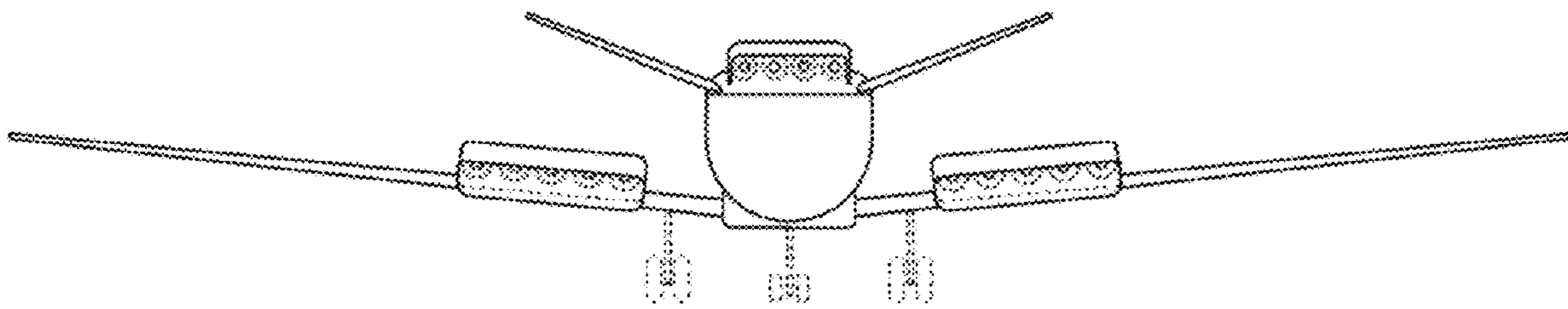


FIG. 7