



US00D922926S

(12) **United States Design Patent**
Lim

(10) **Patent No.:** **US D922,926 S**

(45) **Date of Patent:** **** Jun. 22, 2021**

(54) **VEHICLE WHEEL**

(71) Applicant: **KARMA AUTOMOTIVE LLC**,
Irvine, CA (US)

(72) Inventor: **Samuel Lim**, Irvine, CA (US)

(73) Assignee: **Karma Automotive LLC**, Irvine, CA
(US)

(**) Term: **15 Years**

(21) Appl. No.: **29/713,460**

(22) Filed: **Nov. 15, 2019**

(51) **LOC (13) Cl.** **12-16**

(52) **U.S. Cl.**
USPC **D12/209**

(58) **Field of Classification Search**
USPC D12/204–213; D21/563
CPC B60B 7/00; B60B 7/02; B60B 7/04; B60B
7/01; B60B 7/06; B60B 3/02; B60B 3/04;
B60B 3/06; B60B 3/10; B60B 1/00;
B60B 1/08; B60B 1/10; B60B 1/12
See application file for complete search history.

(56) **References Cited**

U.S. PATENT DOCUMENTS

D416,850 S * 11/1999 Cohen D12/211
D436,911 S * 1/2001 Chung D12/211

D681,538 S * 5/2013 Zhao D12/211
D763,161 S * 8/2016 Morgenstern D12/211
D774,438 S * 12/2016 Valencia Pollex D12/209
D826,821 S * 8/2018 Woodhouse D12/209
D862,348 S * 10/2019 Woodhouse D12/209
D862,350 S * 10/2019 Woodhouse D12/209
D877,030 S * 3/2020 Grewer D12/209
D890,067 S * 7/2020 Woodhouse D12/209
D896,720 S * 9/2020 Woodhouse D12/209
D897,256 S * 9/2020 Han D12/209
D899,996 S * 10/2020 O'Neill D12/209
D908,062 S * 1/2021 Choi D12/209
D908,063 S * 1/2021 Choi D12/209

* cited by examiner

Primary Examiner — Stacia A Cadmus

(74) *Attorney, Agent, or Firm* — Gordon Rees Scully;
Mansukhani, LLP

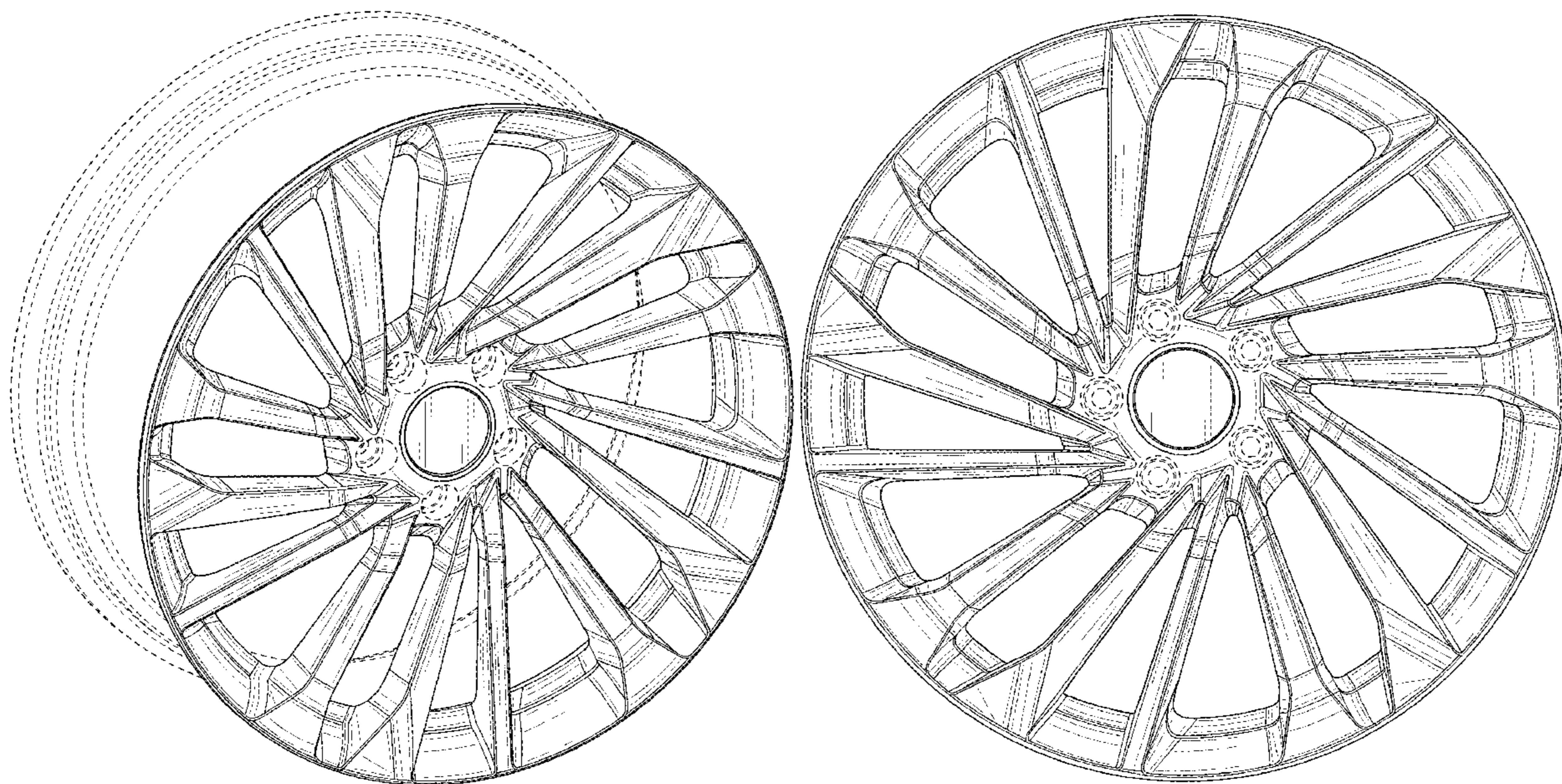
(57) **CLAIM**

The ornamental design for a vehicle wheel, as shown and described.

DESCRIPTION

FIG. 1 is a perspective view of a vehicle wheel.
FIG. 2 is a front view of the vehicle wheel of FIG. 1; and,
FIG. 3 is a side view of the vehicle wheel of FIG. 1.
In the drawings the broken lines depict environmental
subject matter only and form no part of the claimed design.

1 Claim, 3 Drawing Sheets



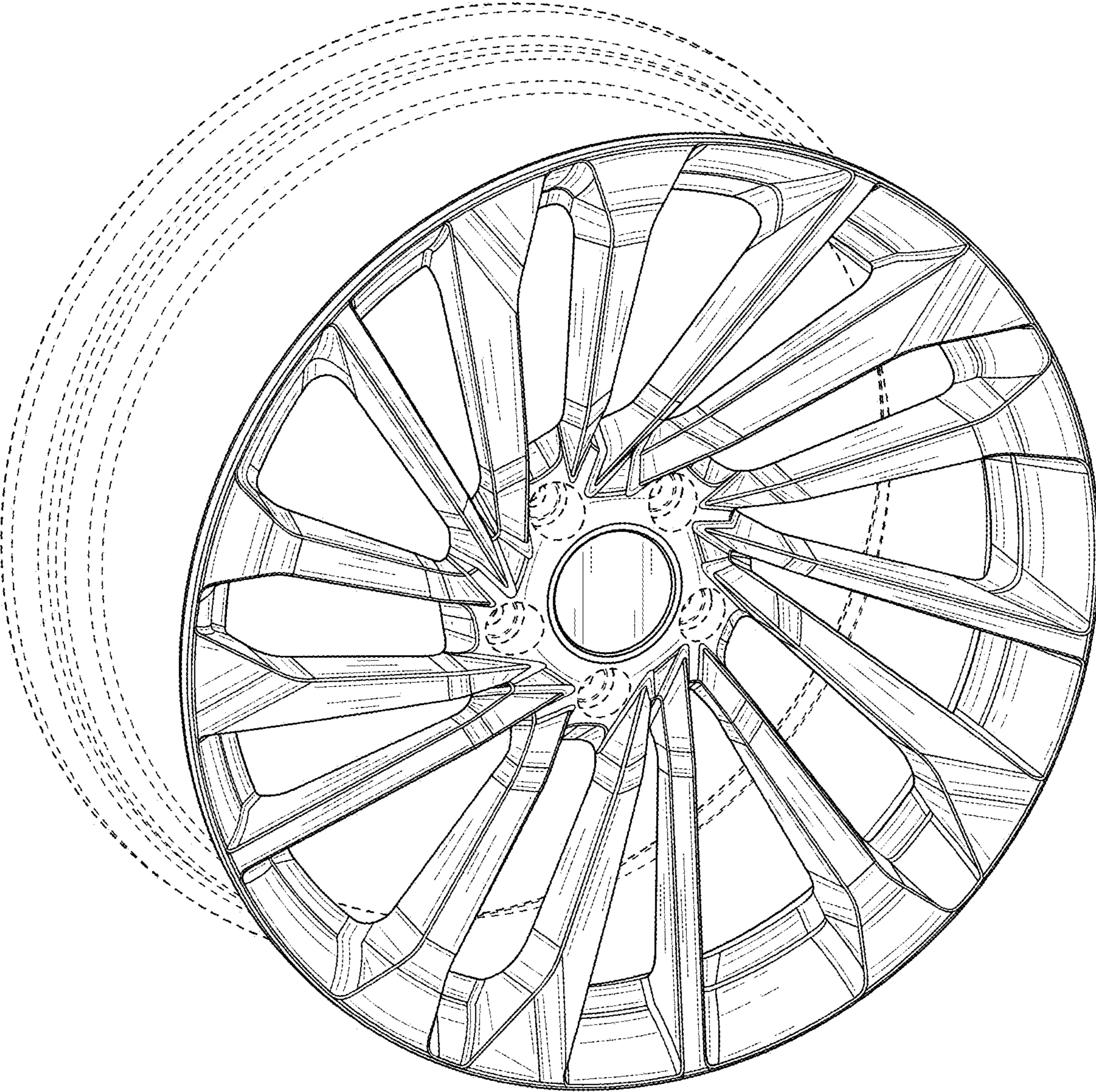


FIG. 1

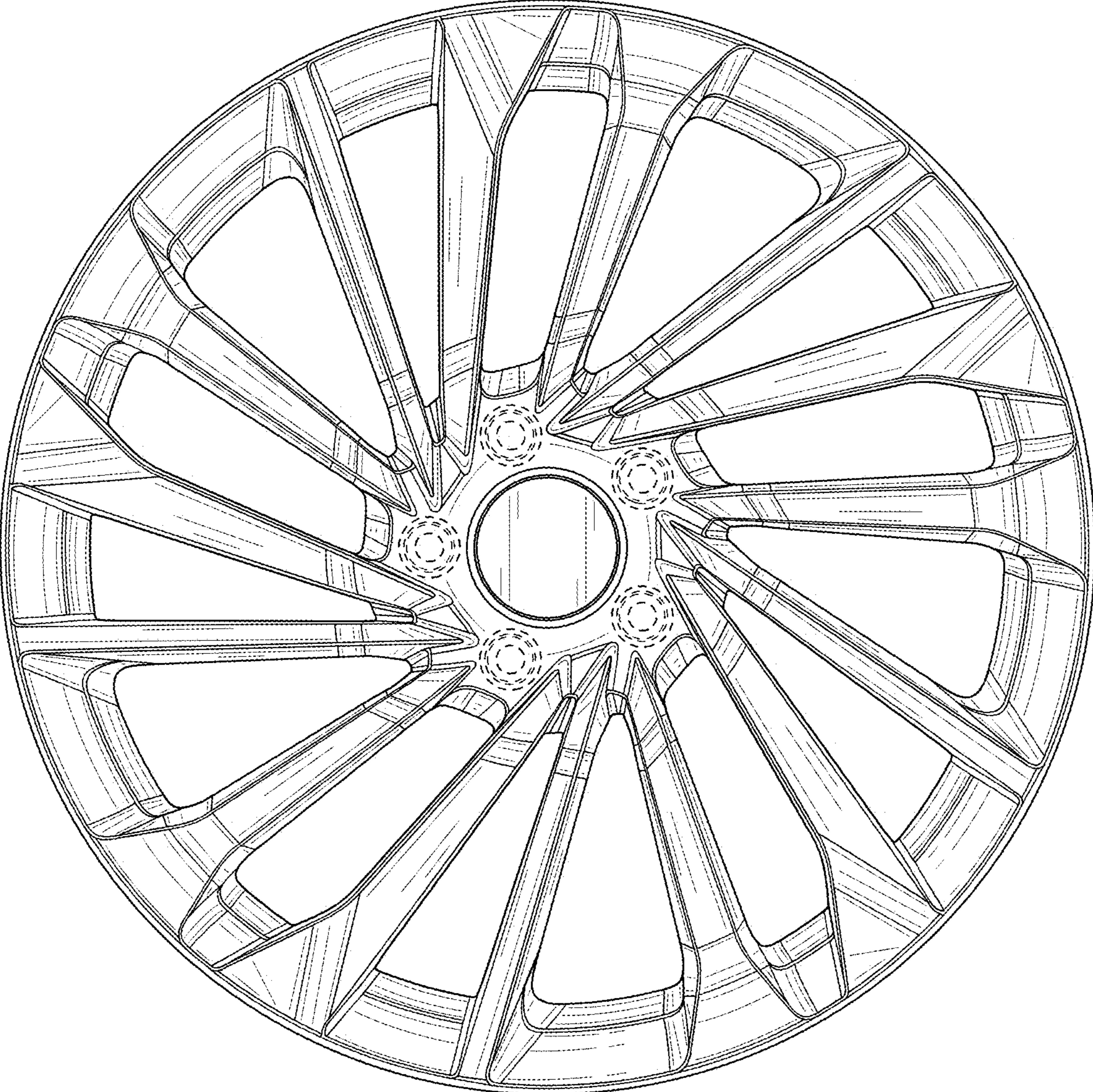


FIG. 2

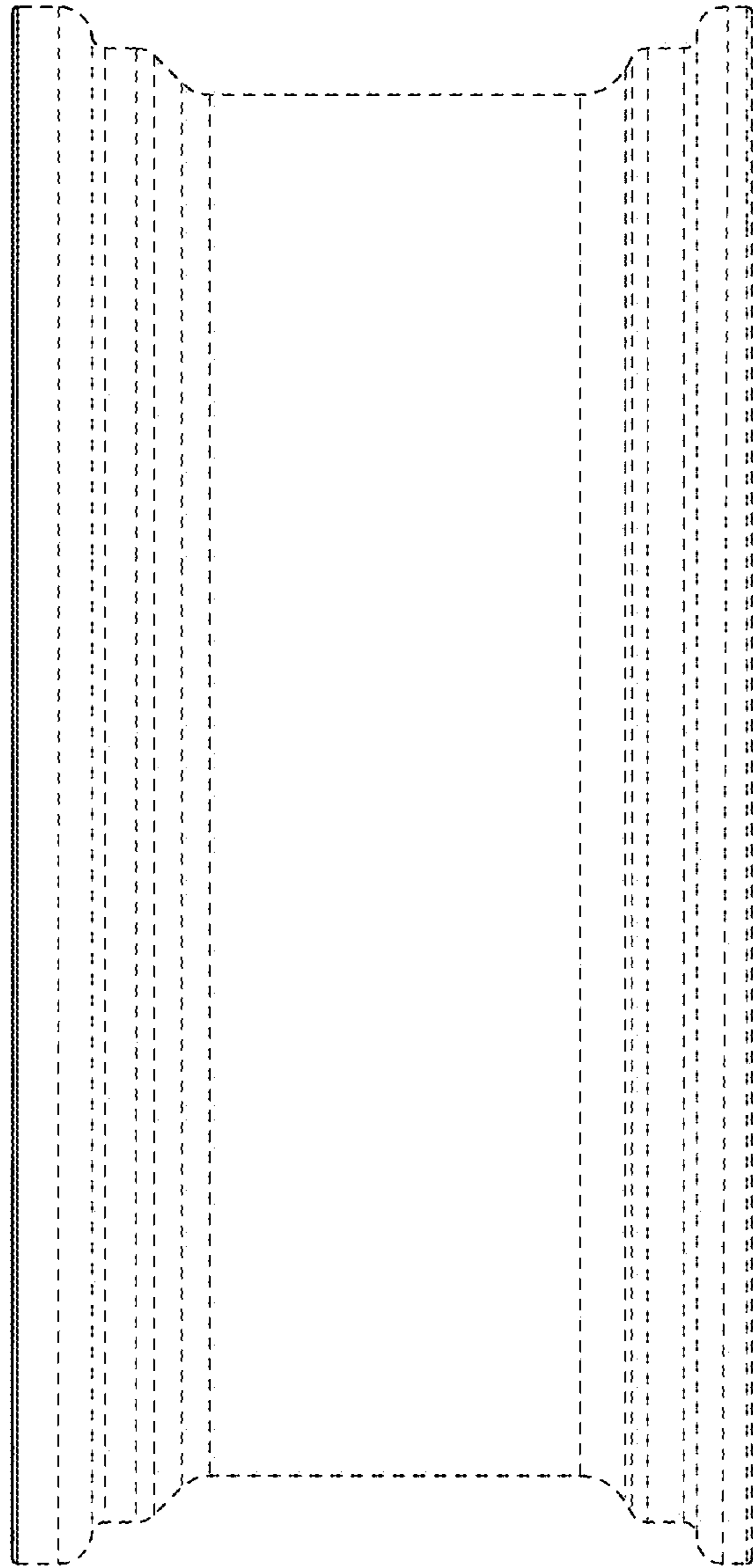


FIG. 3