



US00D922923S

(12) **United States Design Patent** (10) **Patent No.:** **US D922,923 S**
Akrapovic et al. (45) **Date of Patent:** **** Jun. 22, 2021**

(54) **PAIR OF EXHAUST PIPES**

(71) Applicant: **Igor Akrapovic**, Ljubljana (SI)

(72) Inventors: **Igor Akrapovic**, Ljubljana (SI); **Ermin Kosovel**, Zgornje Gorje (SI); **Cveto Zupancic**, Višnja Gora (SI); **Luka Žagar**, Ljubljana (SI); **Tadej Zadel**, Pivka (SI)

(**) Term: **15 Years**

(21) Appl. No.: **35/508,937**

(22) Filed: **Apr. 19, 2019**

(80) **Hague Agreement Data**

Int. Filing Date: **Apr. 19, 2019**
 Int. Reg. No.: **DM/206757**
 Int. Reg. Date: **Apr. 19, 2019**
 Int. Reg. Pub. Date: **Apr. 3, 2020**

(30) **Foreign Application Priority Data**

Oct. 30, 2018 (EM) 005813177-0001

(51) **LOC (13) Cl.** **12-16**

(52) **U.S. Cl.**
 USPC **D12/194**

(58) **Field of Classification Search**
 USPC D12/194; D15/5
 CPC ... F01N 1/04; F01N 1/24; F01N 13/08; F01N 13/082; F01N 13/085; F01N 13/087
 See application file for complete search history.

(56) **References Cited**

U.S. PATENT DOCUMENTS

D214,037 S * 5/1969 Flugger D12/194
 D246,038 S * 10/1977 Moller D12/194
 D271,963 S * 12/1983 Perkins D12/194
 D399,467 S * 10/1998 Erion D12/194

6,026,930 A * 2/2000 Ogisu F01N 1/084
 181/228
 D445,074 S * 7/2001 Feuling D12/194
 D454,320 S * 3/2002 Martin D12/194
 D483,710 S * 12/2003 James D12/194
 D505,370 S * 5/2005 Feuling D12/194
 D520,925 S * 5/2006 Savage D12/194
 D613,222 S * 4/2010 Burkhart D12/194
 D613,655 S * 4/2010 Burkhart D12/194
 D619,067 S * 7/2010 Lemon D12/194
 D631,417 S * 1/2011 Lai D12/194
 D631,809 S * 2/2011 Lai D12/194
 D633,021 S * 2/2011 Lemon D12/194
 D635,498 S * 4/2011 Lemon D12/194
 D641,676 S * 7/2011 Lemon D12/194
 D654,416 S * 2/2012 Lemon D12/194
 D666,543 S * 9/2012 Lai D12/194
 D684,909 S * 6/2013 Lemon D12/194
 D803,745 S * 11/2017 Akrapovic D12/194
 D810,644 S * 2/2018 Welter D12/194
 D887,930 S * 6/2020 Borla D12/194
 D906,917 S * 1/2021 Akrapovic D12/194

(Continued)

Primary Examiner — Darlington Ly
 (74) *Attorney, Agent, or Firm* — Olson & Cepuritis, Ltd.;
 Shawn E. Duckworth, Esq.

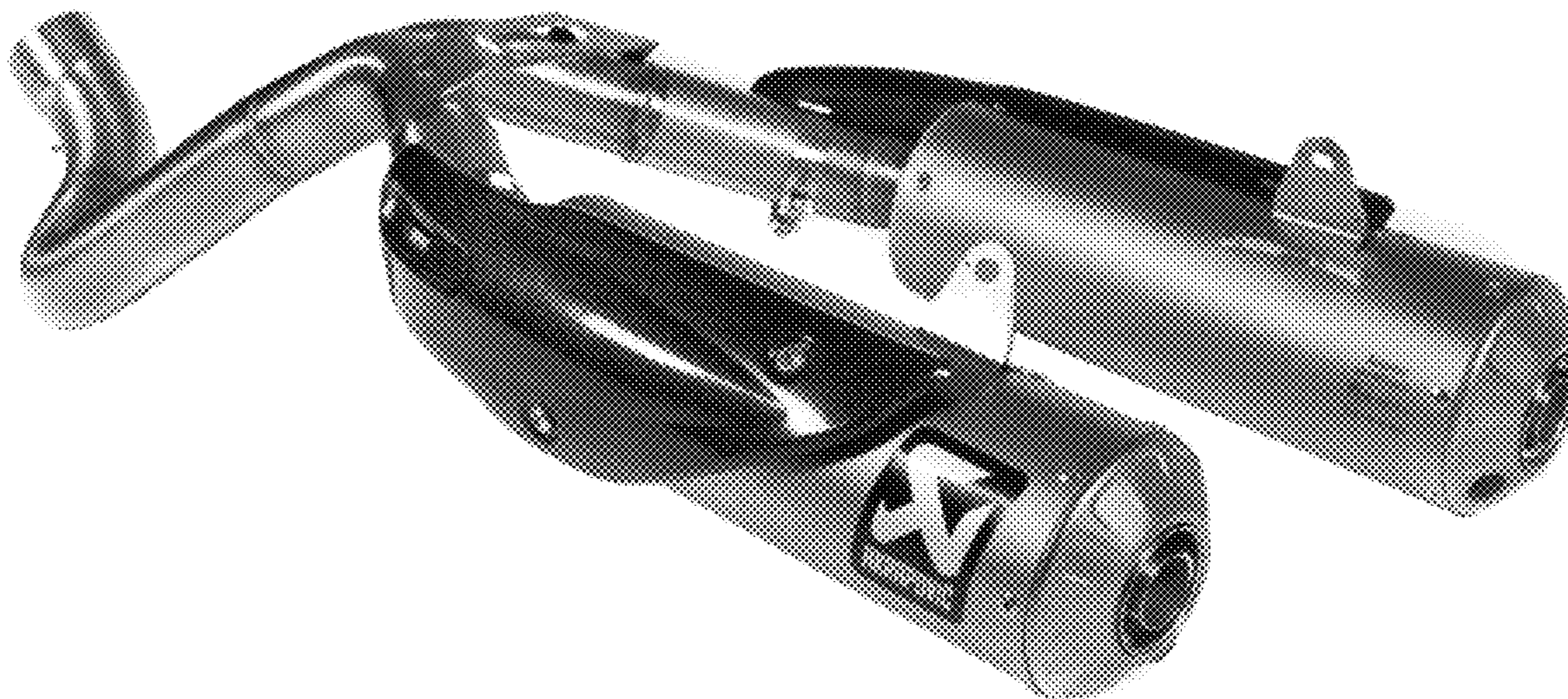
(57) **CLAIM**

The ornamental design for a pair of exhaust pipes, as shown and described.

DESCRIPTION

1. Pair of exhaust pipes
 1.1 is a top, rear, and right side perspective view of a pair of exhaust pipes embodying our new design;
 1.2 is a right side elevation view thereof;
 1.3 is a left side elevation view thereof;
 1.4 is a top plan view thereof;
 1.5 is a rear elevation view thereof;
 1.6 is a front elevation view thereof;
 1.7 is a front and left side perspective view thereof;
 1.8 is a top and left side perspective view thereof; and
 1.9 is a bottom plan view thereof.

1 Claim, 9 Drawing Sheets



(56)

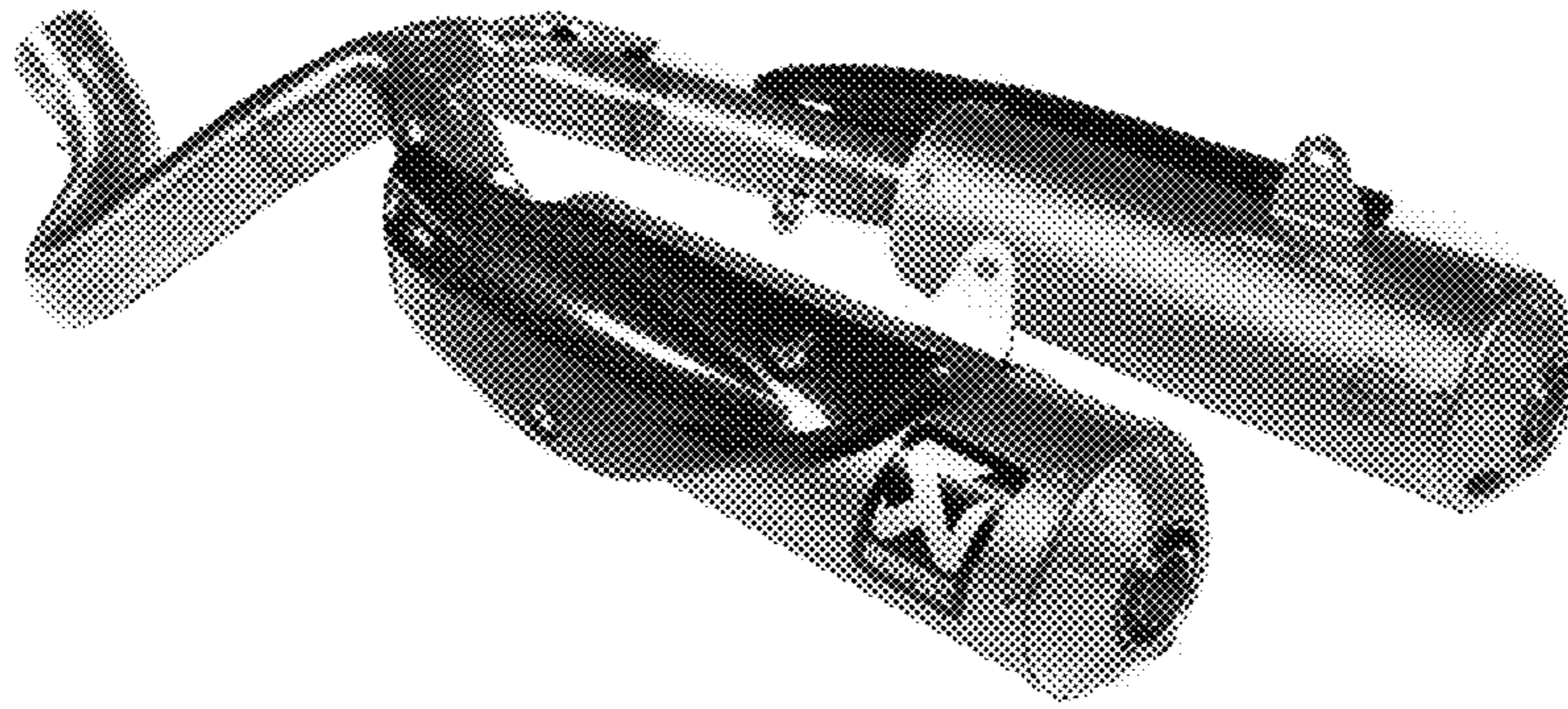
References Cited

U.S. PATENT DOCUMENTS

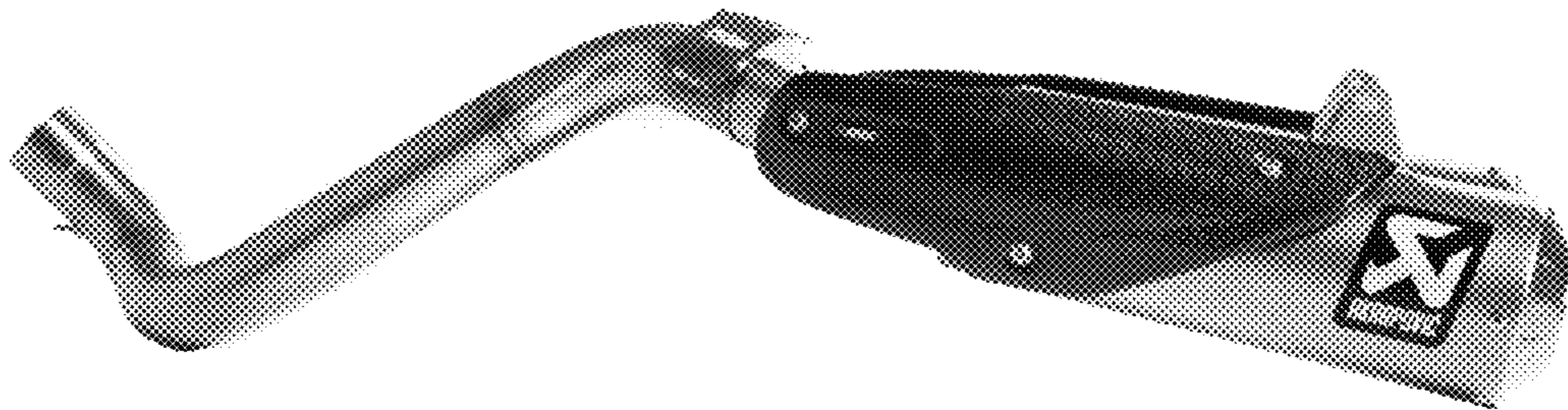
D910,521 S * 2/2021 Akrapovic D12/194
2002/0175022 A1* 11/2002 Schumacher F01N 1/165
181/254
2010/0192558 A1* 8/2010 Matsueda F01N 1/06
60/322
2015/0152771 A1* 6/2015 Anshu F01N 3/10
60/323
2015/0192055 A1* 7/2015 Kondo F01N 1/084
181/227

* cited by examiner

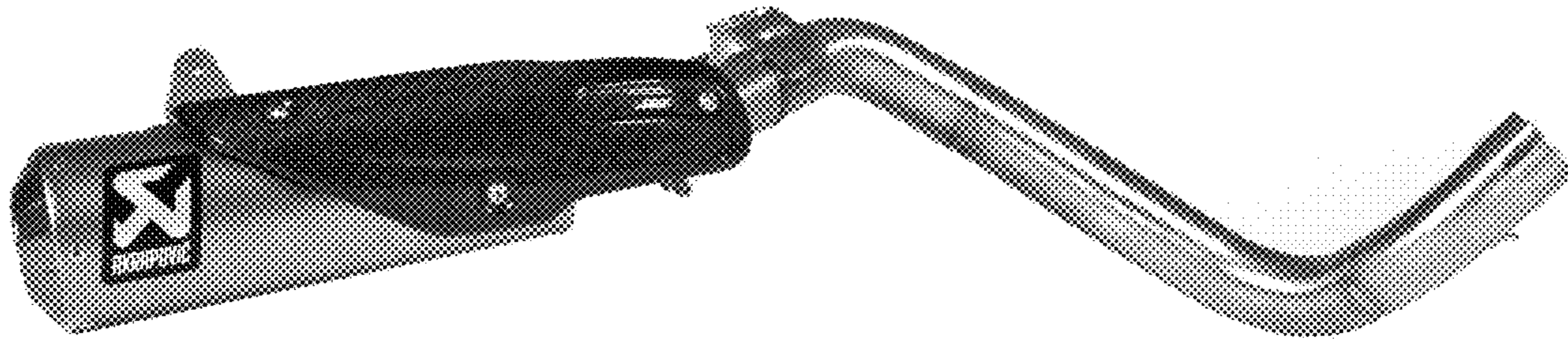
1.1



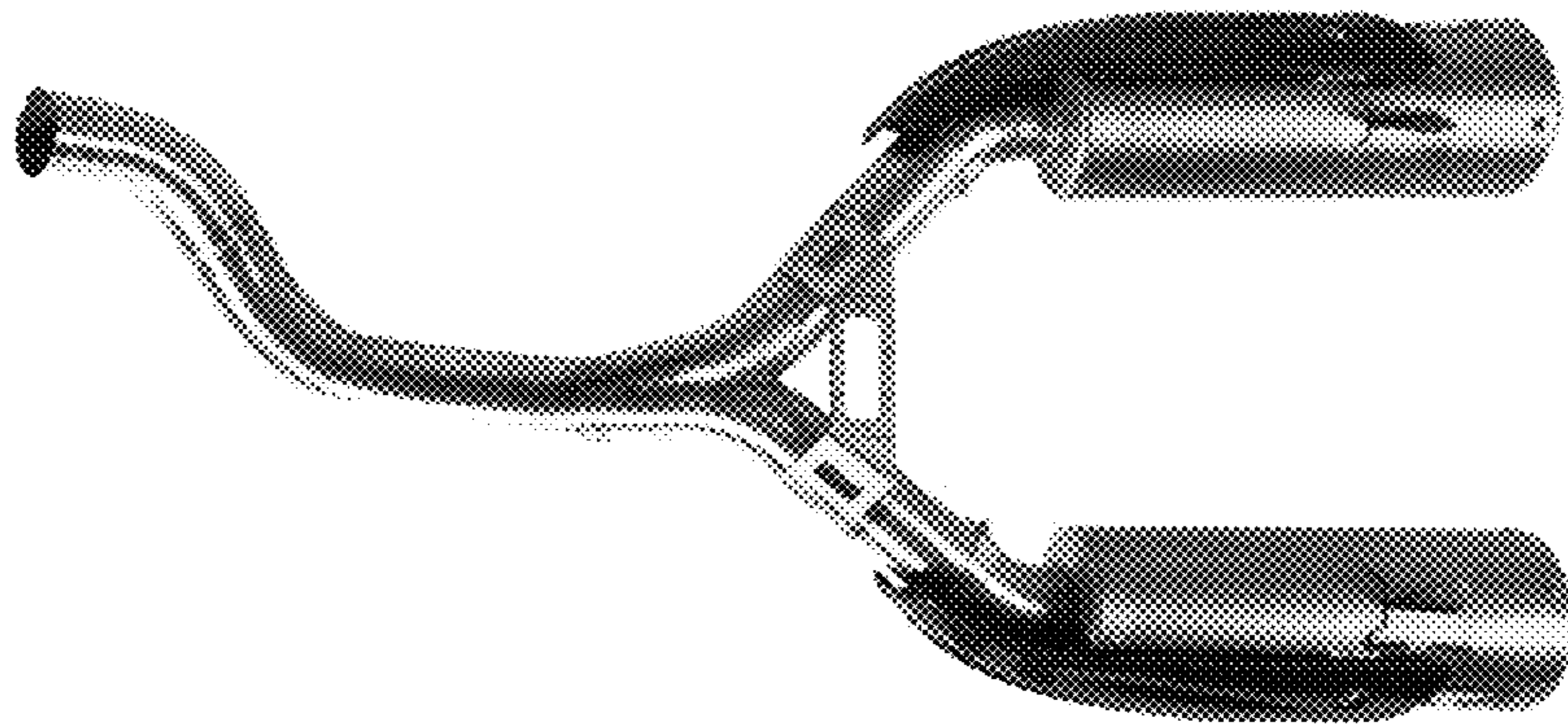
1.2



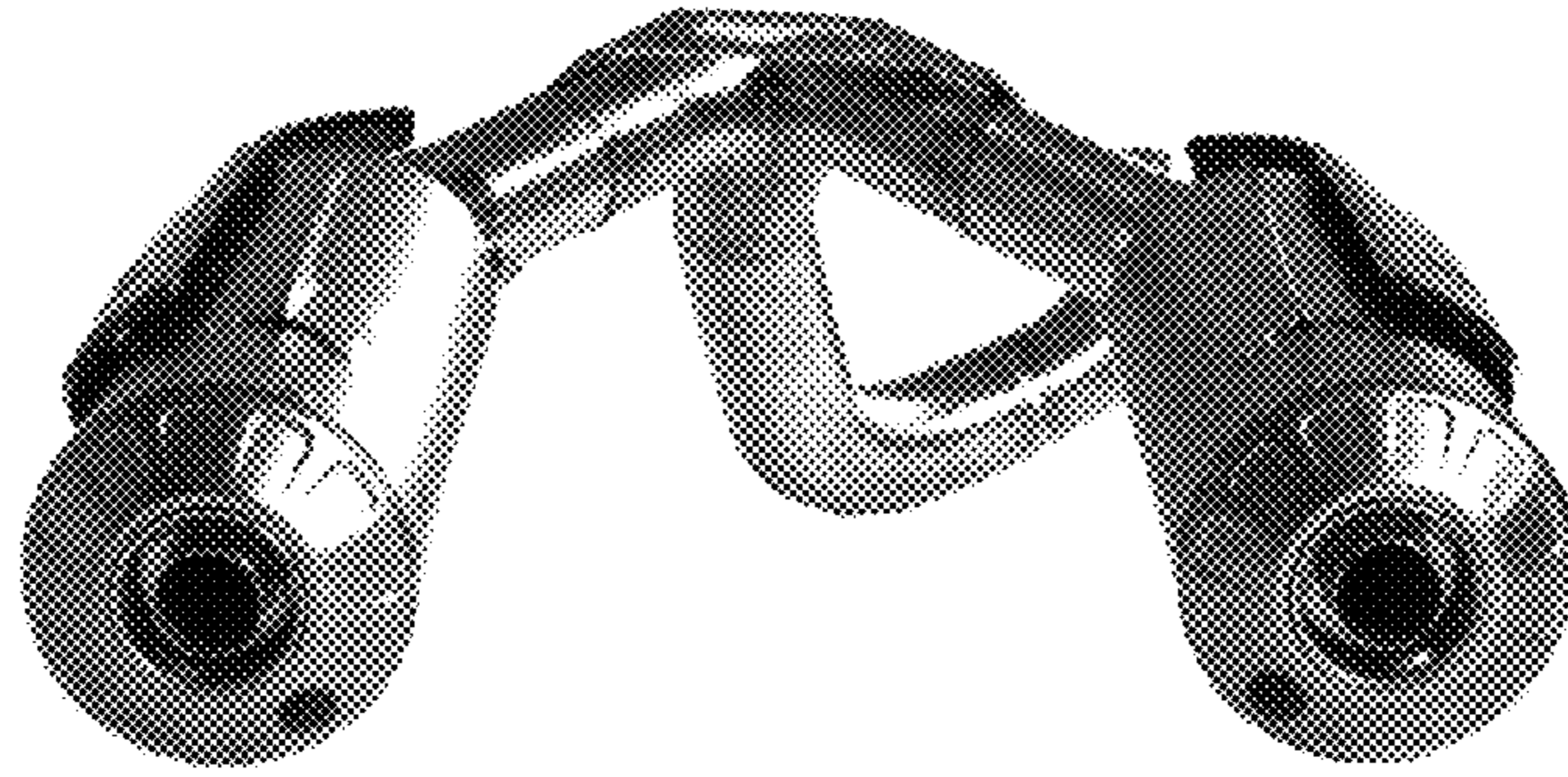
1.3



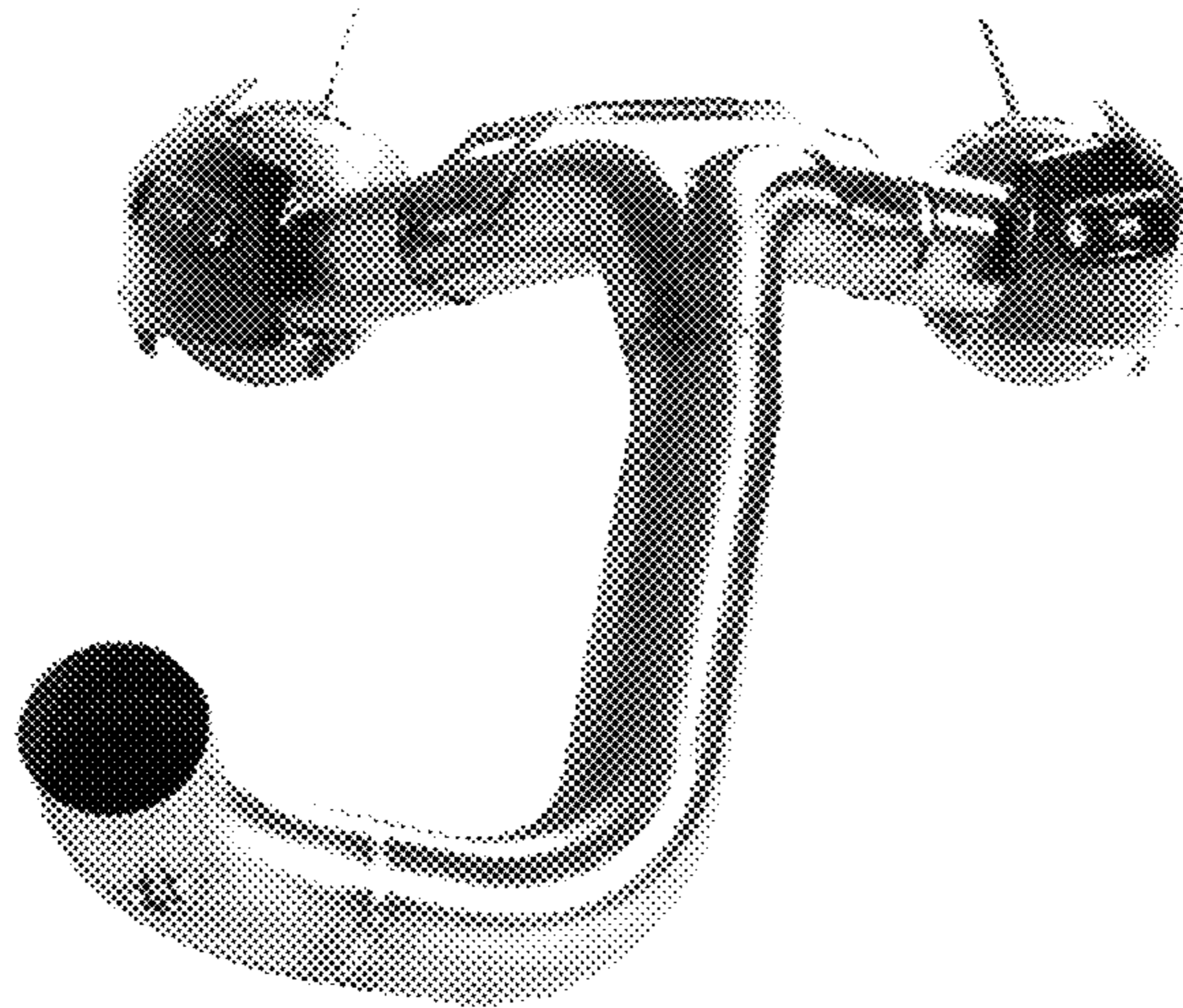
1.4



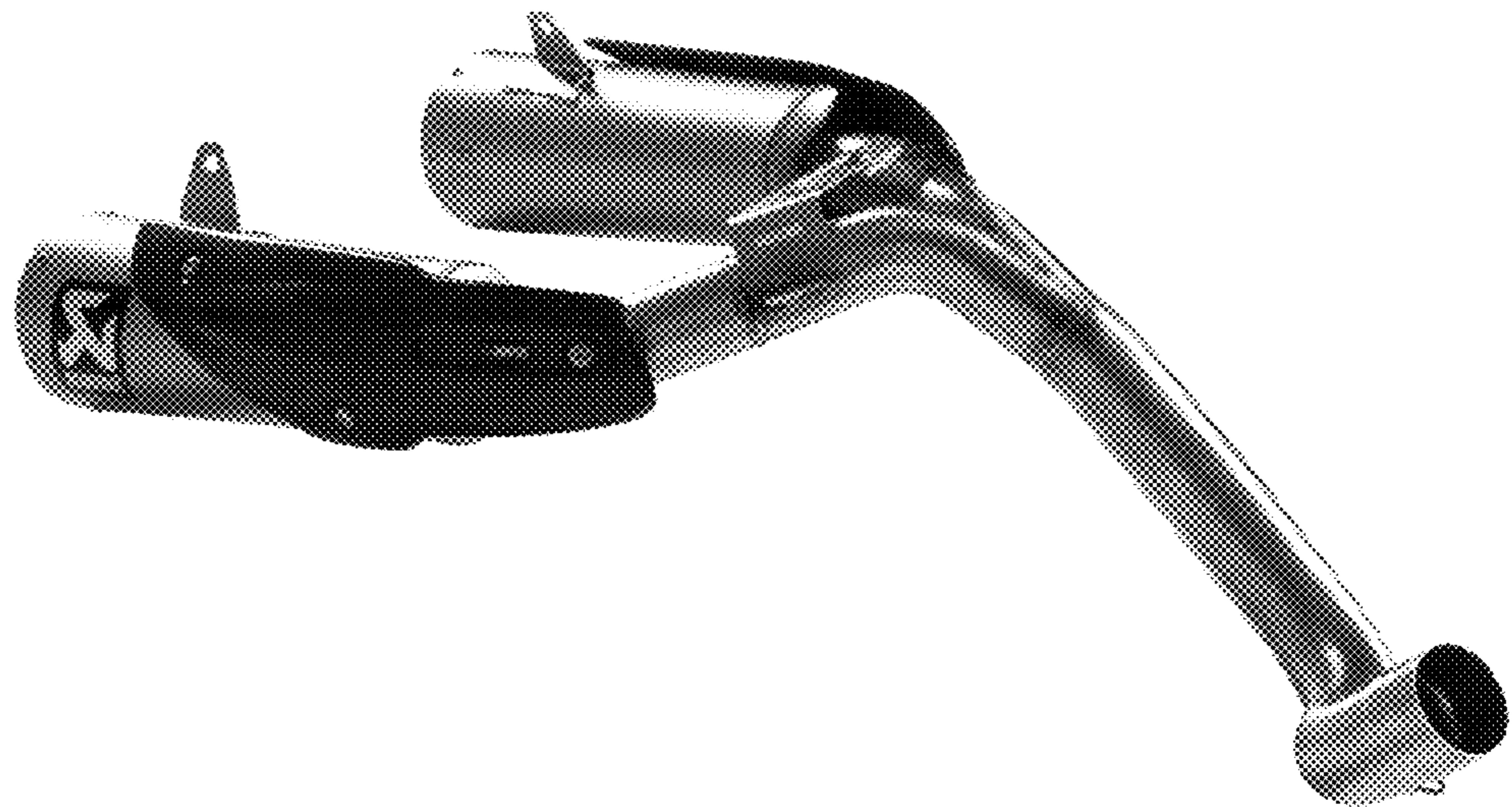
1.5



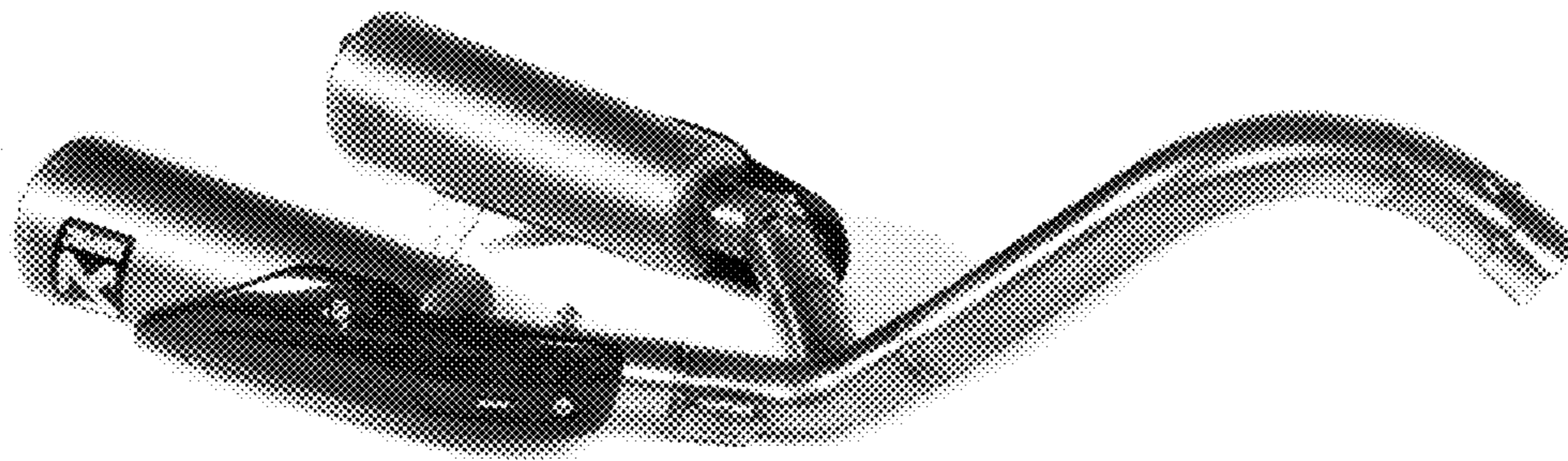
1.6



1.7



1.8



1.9

