



US00D922922S

(12) **United States Design Patent**
Akrapovič et al.

(10) **Patent No.:** **US D922,922 S**
(45) **Date of Patent:** **** Jun. 22, 2021**

(54) **EXHAUST SILENCER**
(71) Applicant: **Igor Akrapovič**, Ljubljana (SI)
(72) Inventors: **Igor Akrapovič**, Ljubljana (SI); **Ermin Kosovel**, Zgornje Gorje (SI); **Andraž Kranjc**, Loka pri Zidanem Mostu (SI); **Igor Merhar**, Dolenja vas (SI); **Boris Stanic**, Koper (SI)

(**) Term: **15 Years**

(21) Appl. No.: **35/508,831**

(22) Filed: **Apr. 19, 2019**

(80) **Hague Agreement Data**

Int. Filing Date: **Apr. 19, 2019**
Int. Reg. No.: **DM/206513**
Int. Reg. Date: **Apr. 19, 2019**
Int. Reg. Pub. Date: **Mar. 20, 2020**

(30) **Foreign Application Priority Data**

Oct. 25, 2018 (EM) 005808896

(51) **LOC (13) Cl.** **12-16**

(52) **U.S. Cl.**
USPC **D12/194**

(58) **Field of Classification Search**
USPC D12/194; D15/5
CPC ... F01N 1/04; F01N 1/24; F01N 13/08; F01N 13/082; F01N 13/085; F01N 13/087
See application file for complete search history.

(56) **References Cited**

U.S. PATENT DOCUMENTS

3,515,242 A * 6/1970 Lyttle F01N 1/089
181/268
3,863,733 A * 2/1975 Raudman, Jr. F01N 1/00
181/252

4,683,978 A * 8/1987 Venter F01N 1/12
181/258
4,866,933 A * 9/1989 Kao F01N 1/166
60/312
5,036,585 A * 8/1991 Schweinfurth F01N 13/185
29/890.08
6,158,214 A * 12/2000 Kempka F01N 13/1888
60/302
D496,313 S * 9/2004 Suzuki D12/194
6,868,939 B2 * 3/2005 Ziehl F01N 1/082
181/227
D550,134 S * 9/2007 Akrapovic D12/194
D573,520 S * 7/2008 Kouchi D12/194

(Continued)

Primary Examiner — Darlington Ly

(74) *Attorney, Agent, or Firm* — Olson & Cepuritis, Ltd.;
Shawn E. Duckworth

(57) **CLAIM**

The ornamental design for an exhaust silencer, as shown and described.

DESCRIPTION

The patent or application file contains at least one drawing executed in color. Copies of this patent or patent application publication with color drawing(s) will be provided by the Office upon request and payment of the necessary fee.

- 1. Exhaust silencer
- 1.1 is a bottom, rear, and right side perspective view of an exhaust silencer embodying our new design;
- 1.2 is a top, front, and right side perspective view thereof;
- 1.3 is a right side elevation view thereof;
- 1.4 is a left side elevation view thereof;
- 1.5 is a front elevation view thereof;
- 1.6 is a rear elevation view thereof;
- 1.7 is a top plan view thereof;
- 1.8 is a bottom plan view thereof;
- 1.9 is a top, rear, and right side perspective view thereof; and
- 1.10 is a rear and right side perspective view thereof.

1 Claim, 10 Drawing Sheets
(10 of 10 Drawing Sheet(s) Filed in Color)



(56)

References Cited

U.S. PATENT DOCUMENTS

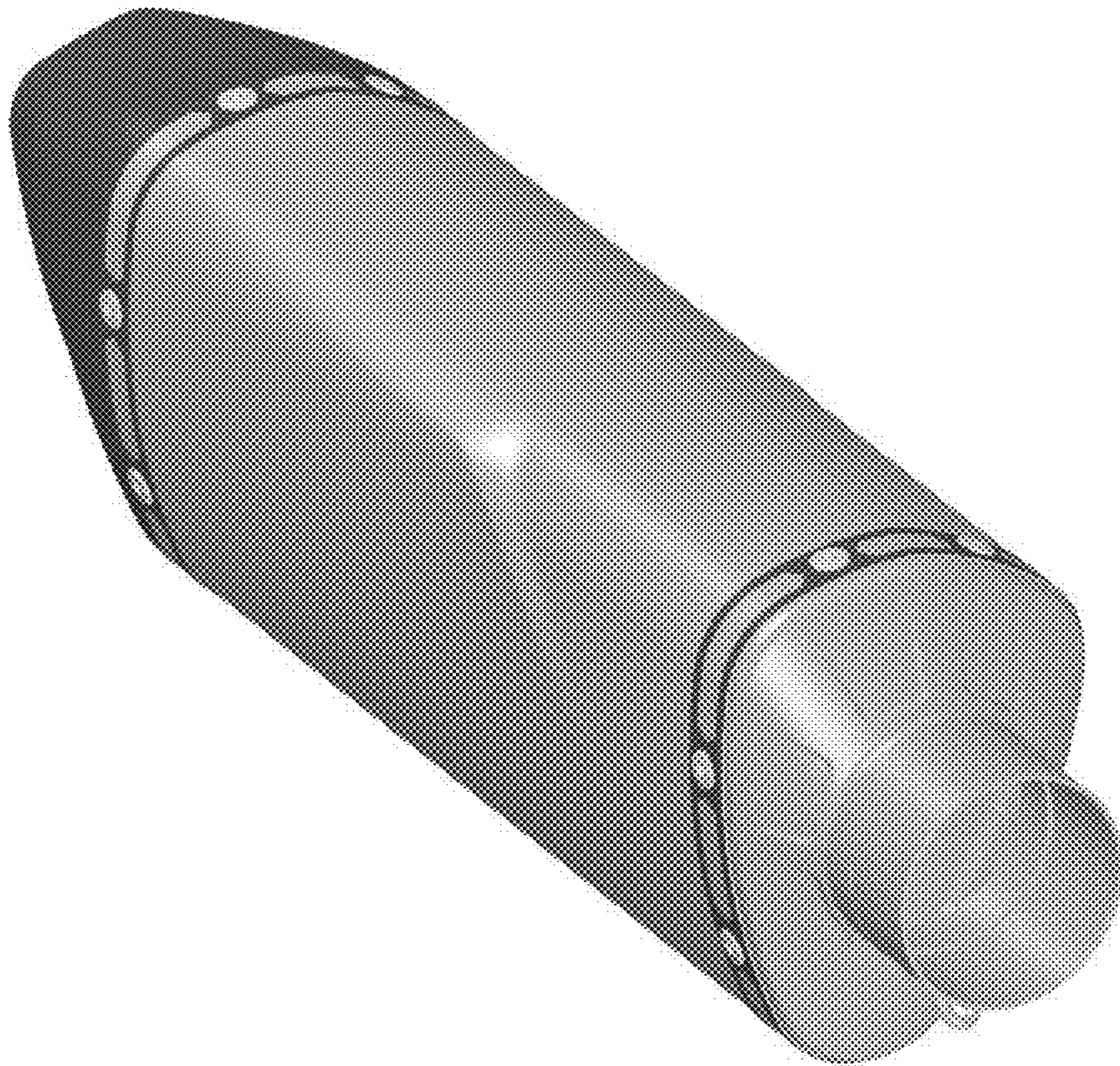
7,464,789 B2 * 12/2008 Yamamoto F01N 1/089
181/212
D589,422 S * 3/2009 Davis, Jr. D12/194
D685,308 S * 7/2013 Verlengiere D12/194
D803,744 S * 11/2017 Akrapovic D12/194
D804,381 S * 12/2017 Akrapovic D12/194
D804,382 S * 12/2017 Akrapovic D12/194
D804,383 S * 12/2017 Akrapovic D12/194
D833,936 S * 11/2018 Akrapovic D12/194
D836,514 S * 12/2018 Akrapovic D12/194
D837,119 S * 1/2019 Akrapovic D12/194
D840,887 S * 2/2019 Akrapovic D12/194
D854,476 S * 7/2019 Akrapovic D12/194
D875,010 S * 2/2020 Akrapovic D12/194
D906,917 S * 1/2021 Akrapovic D12/194
2004/0089500 A1 * 5/2004 Lewis F01N 13/18
181/249
2008/0121456 A1 * 5/2008 Davis F01N 13/20
180/309

* cited by examiner

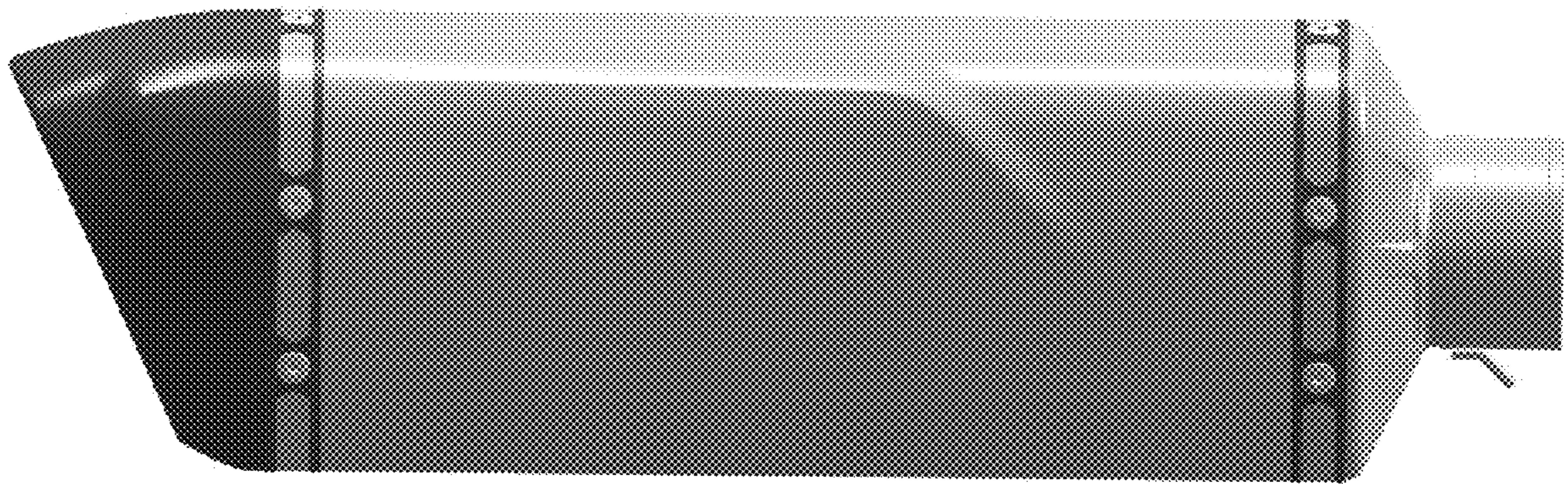
1.1



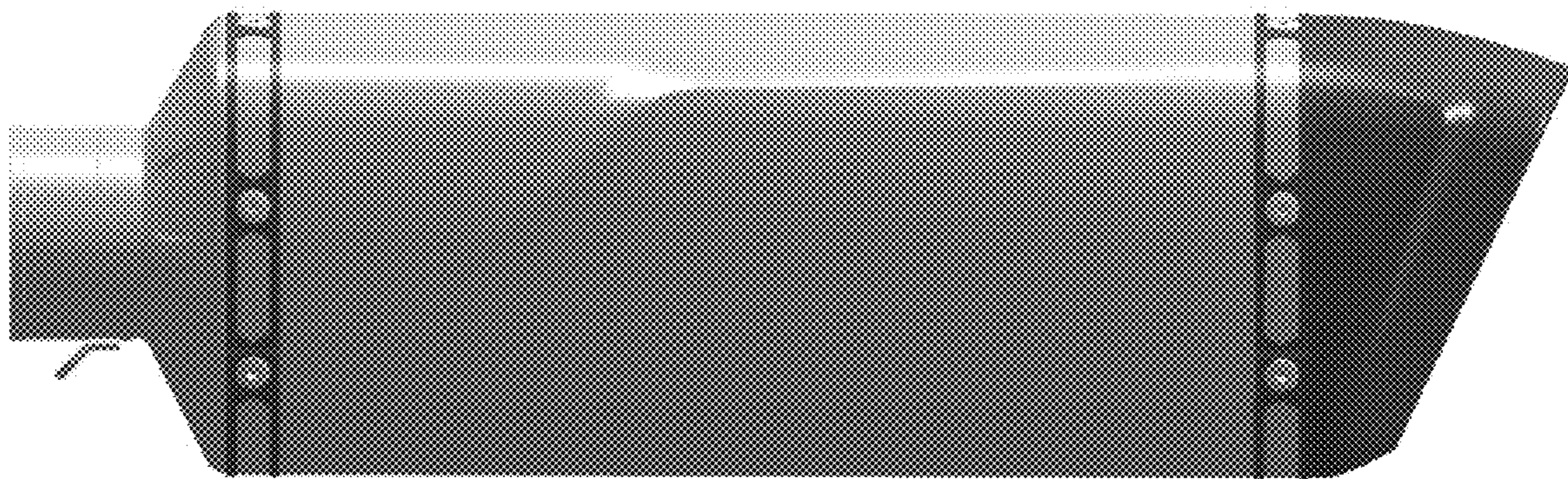
1.2



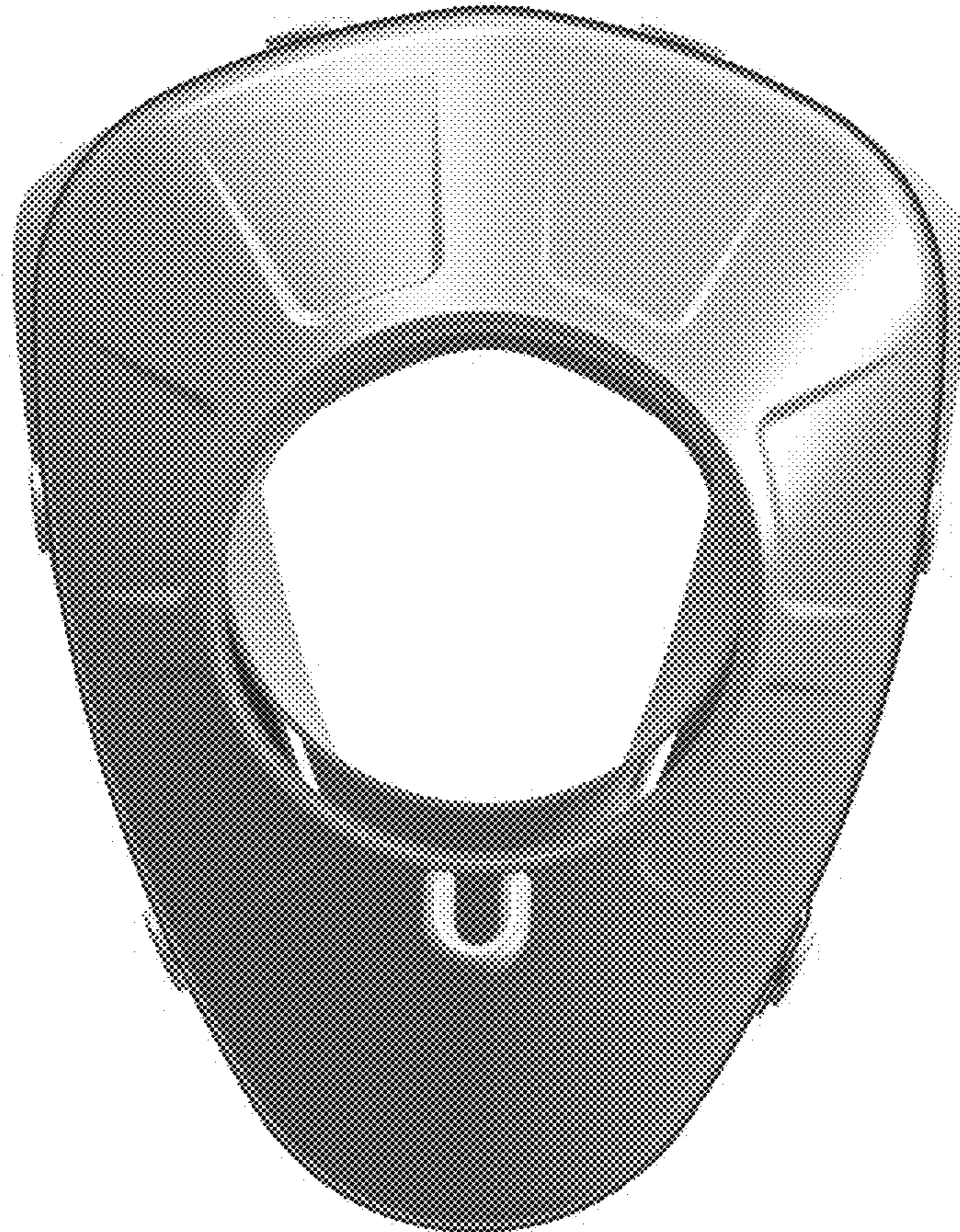
1.3



1.4



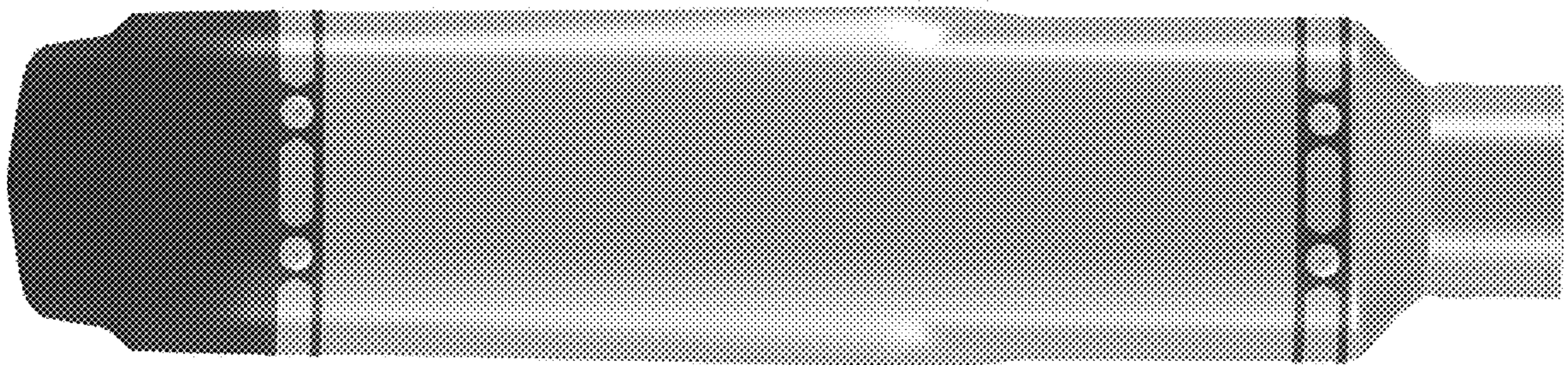
1.5



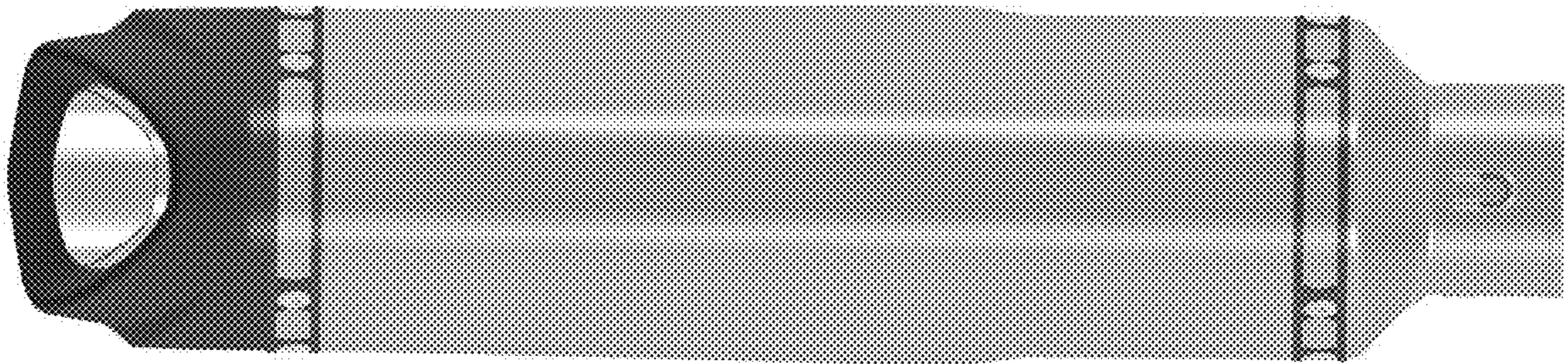
1.6



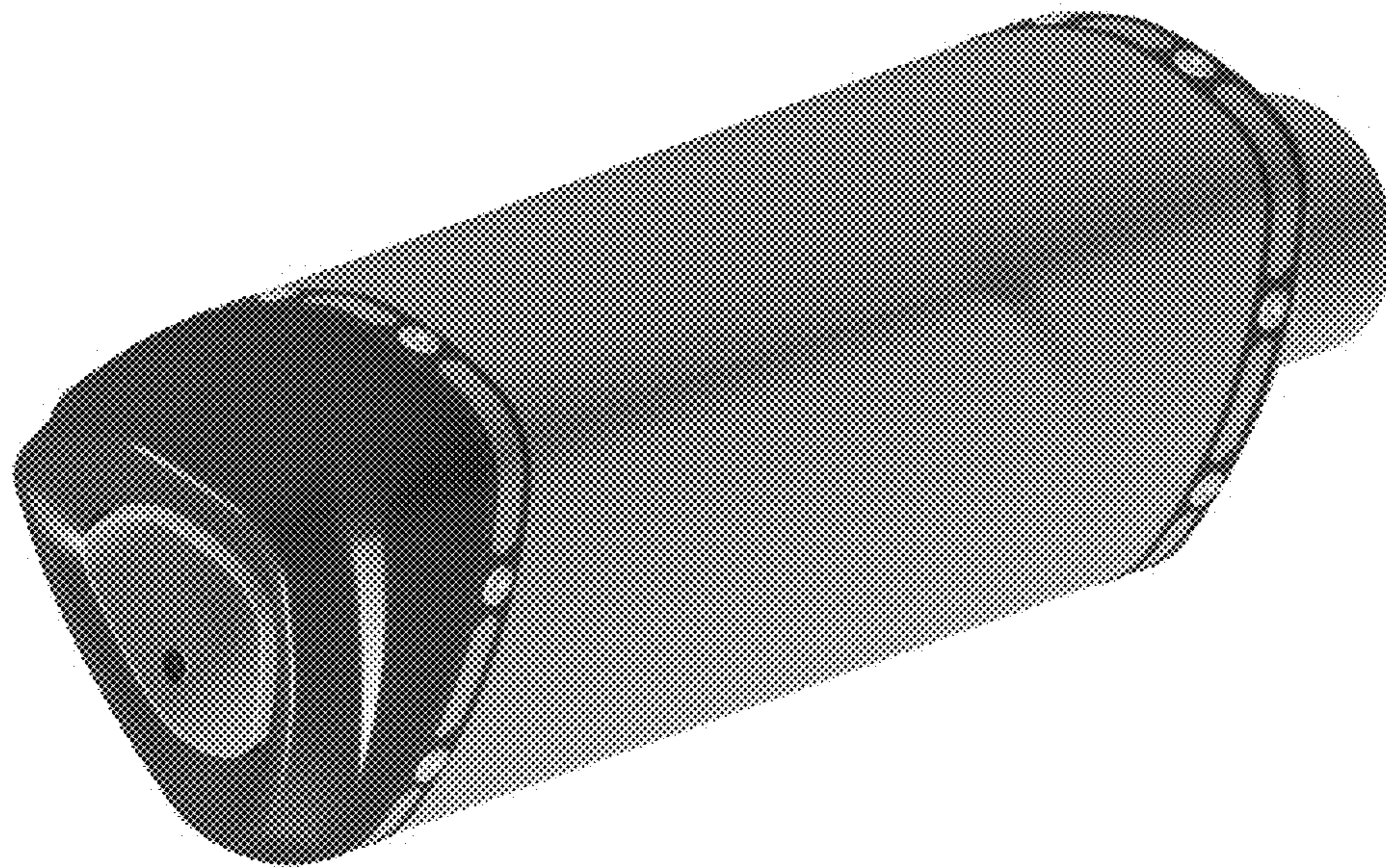
1.7



1.8



1.9



1.10

