



US00D922917S

(12) **United States Design Patent**  
**Loschiavo**

(10) **Patent No.:** **US D922,917 S**  
(45) **Date of Patent:** **\*\* Jun. 22, 2021**

- (54) **MARINE FENDER**
- (71) Applicant: **Rodney Lee Loschiavo**, Fort Lauderdale, FL (US)
- (72) Inventor: **Rodney Lee Loschiavo**, Fort Lauderdale, FL (US)
- (\*\*) Term: **15 Years**
- (21) Appl. No.: **29/737,747**
- (22) Filed: **Jun. 11, 2020**

- 6,050,211 A \* 4/2000 Yamaguchi ..... B29C 65/02  
114/219
- 6,477,973 B1 \* 11/2002 Kobas ..... B63B 59/02  
114/219
- D490,754 S \* 6/2004 Harris ..... D12/167
- D505,909 S \* 6/2005 Erskine ..... D12/317
- 7,182,993 B1 \* 2/2007 Hamilton ..... A47B 95/043  
108/27
- D575,721 S \* 8/2008 Ahern ..... D12/168
- 7,527,454 B1 \* 5/2009 Brushaber ..... E02B 3/26  
405/215
- 7,934,888 B2 \* 5/2011 Masters ..... C09D 7/63  
405/216
- D649,094 S \* 11/2011 Cordes ..... D12/168
- D657,300 S \* 4/2012 Wright ..... D12/317
- D669,825 S \* 10/2012 Cordes ..... D12/168

(Continued)

**Related U.S. Application Data**

- (63) Continuation-in-part of application No. 29/680,041, filed on Feb. 13, 2019, now Pat. No. Des. 911,884.
- (51) **LOC (13) Cl.** ..... **12-16**
- (52) **U.S. Cl.**  
USPC ..... **D12/168**
- (58) **Field of Classification Search**  
USPC ..... D12/168, 167, 300, 316-317; D10/107;  
D21/803  
CPC ..... B63B 59/02; B63B 22/00; E02B 3/26  
See application file for complete search history.

*Primary Examiner* — Michelle E. Wilson  
*Assistant Examiner* — Clese Moore, Jr.  
 (74) *Attorney, Agent, or Firm* — Kevin P. Crosby; Rubin & Rubin

(57) **CLAIM**

The ornamental design for a marine fender, as shown and described.

**DESCRIPTION**

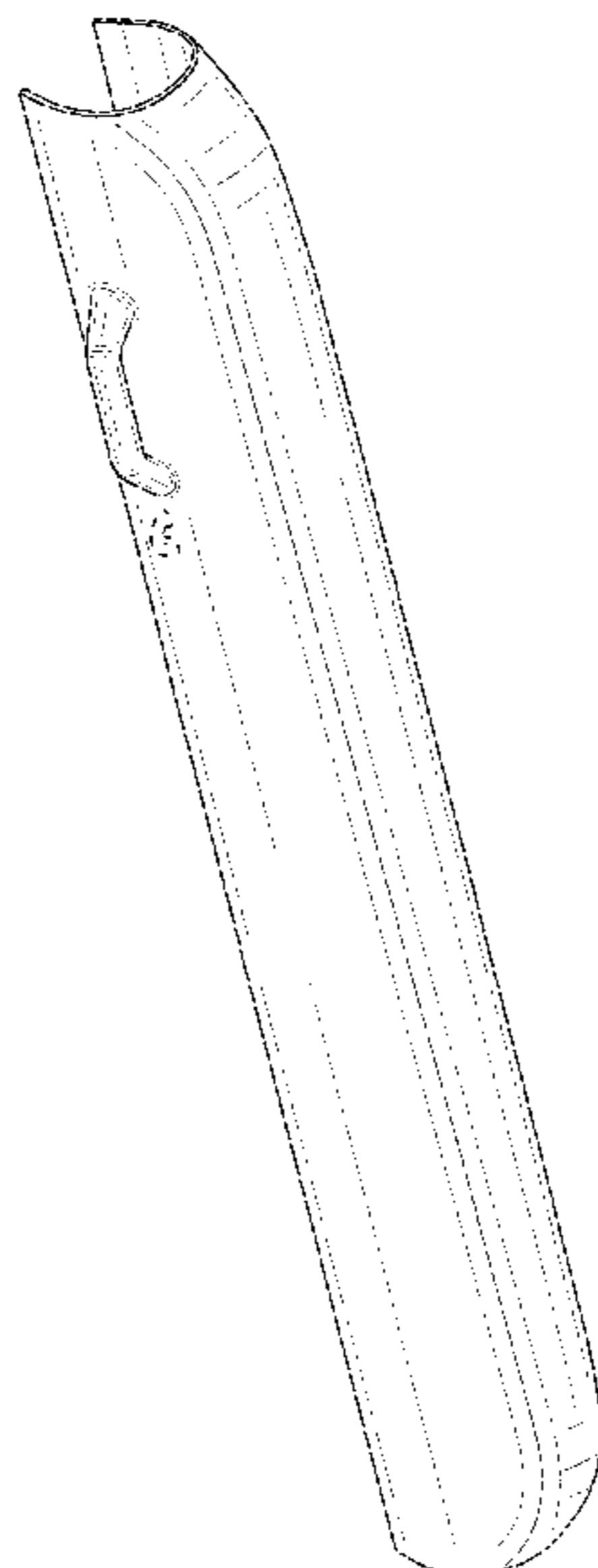
FIG. 1 is a right front top perspective view of a marine fender, showing my new design;  
 FIG. 2 is a front elevational view thereof.  
 FIG. 3 is a rear elevational view thereof.  
 FIG. 4 is a right side elevational view thereof.  
 FIG. 5 is a left side elevational view thereof.  
 FIG. 6 is a top plan view thereof.  
 FIG. 7 is a bottom plan view thereof; and,  
 FIG. 8 is a right front perspective view of the design in an exemplary environment of use.  
 The dashed lines in the drawings indicate an exemplary environment of use of the design and unclaimed features, and do not form any part of the claimed design.

**1 Claim, 8 Drawing Sheets**

(56) **References Cited**

**U.S. PATENT DOCUMENTS**

- D297,627 S \* 9/1988 Patton ..... D12/168
- D316,244 S \* 4/1991 Kruckenberg ..... D12/168
- D324,368 S \* 3/1992 Zirkelbach ..... D12/317
- D368,060 S \* 3/1996 Perlman ..... D12/167
- 5,562,364 A \* 10/1996 Darder-Alomar .....  
E01F 15/0469  
405/215
- D377,775 S \* 2/1997 Barton, Jr. .... D12/168
- D387,441 S \* 12/1997 Rasmussen ..... D25/164
- D387,722 S \* 12/1997 Fujinaka ..... D12/167
- 5,762,016 A \* 6/1998 Parsons ..... E02B 3/26  
114/219
- D419,242 S \* 1/2000 Coons ..... D25/35



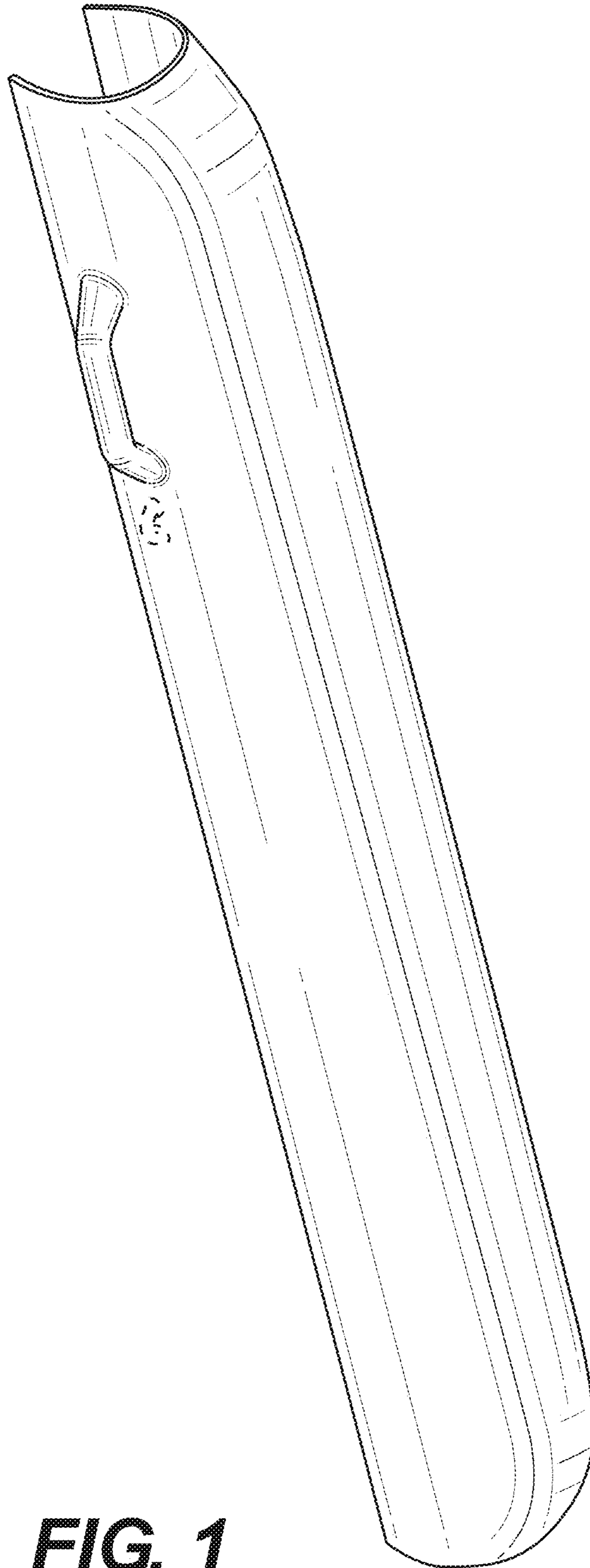
(56)

**References Cited**

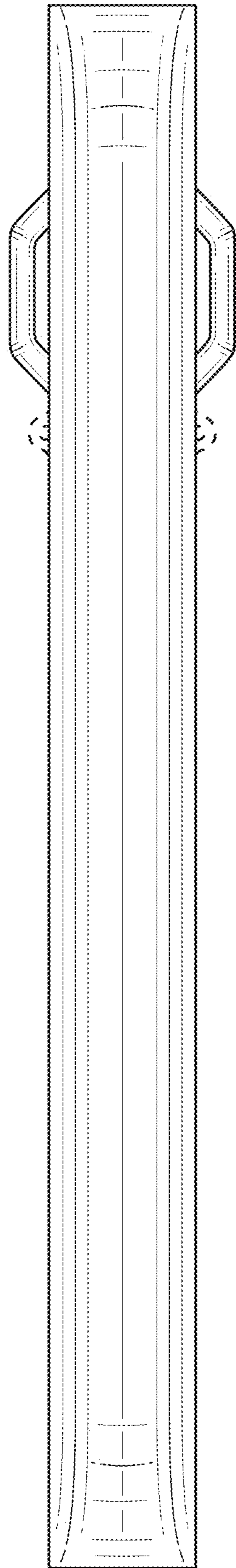
U.S. PATENT DOCUMENTS

D720,477 S	*	12/2014	Ross	.....	D25/121
D765,009 S	*	8/2016	Conrad	.....	D12/317
D793,963 S	*	8/2017	Wegener	.....	D13/155
D795,782 S	*	8/2017	Conrad	.....	D12/317
9,752,291 B2	*	9/2017	Michael	.....	E01F 15/141

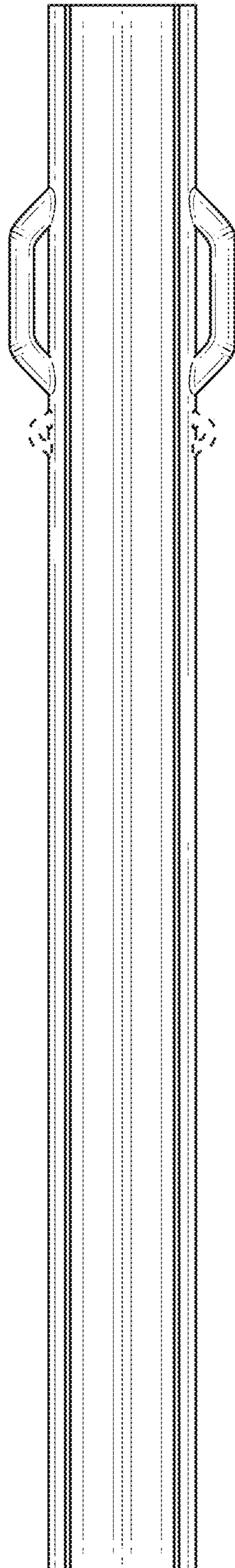
\* cited by examiner



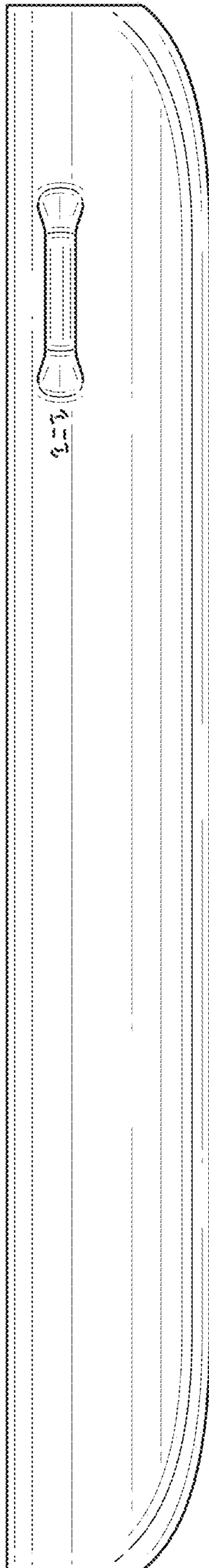
**FIG. 1**



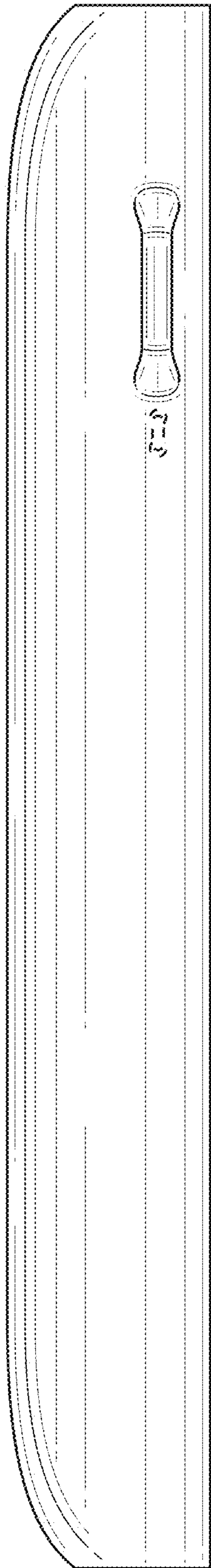
**FIG. 2**



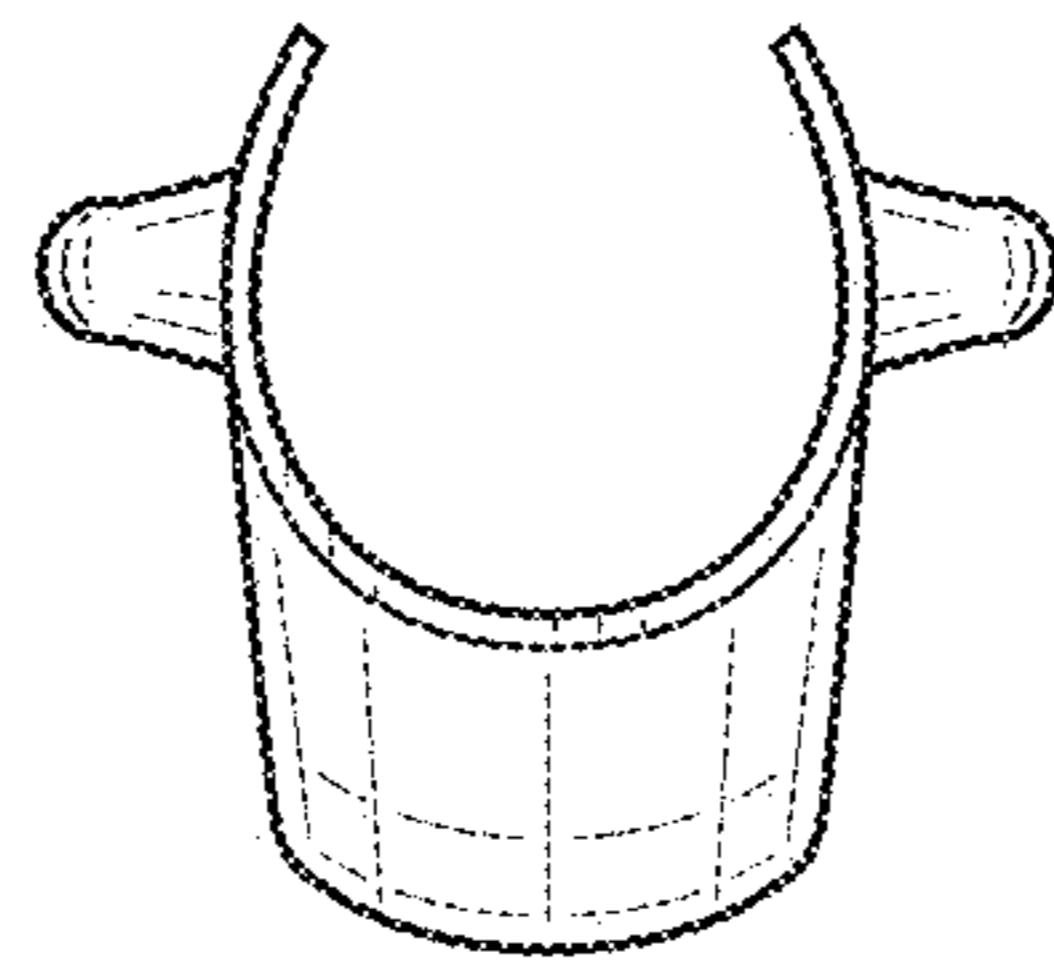
**FIG. 3**



**FIG. 4**

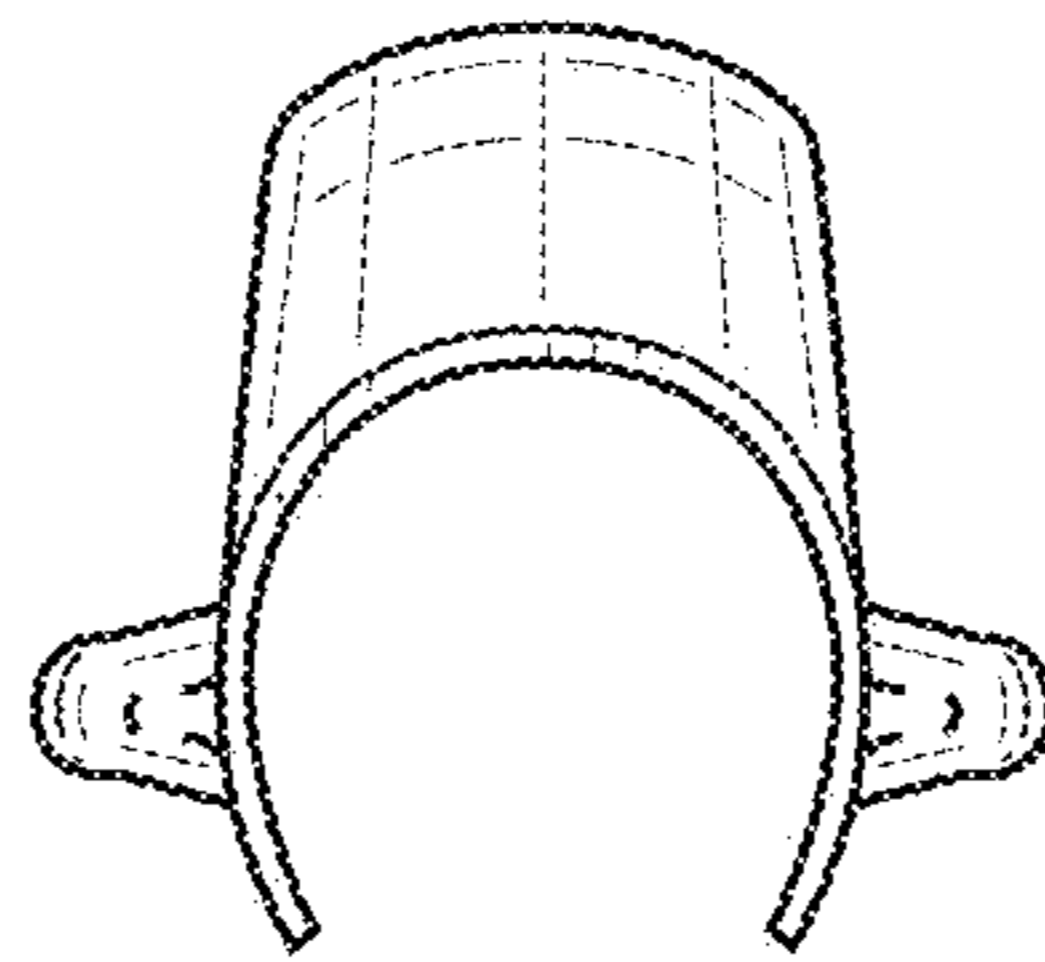


**FIG. 5**

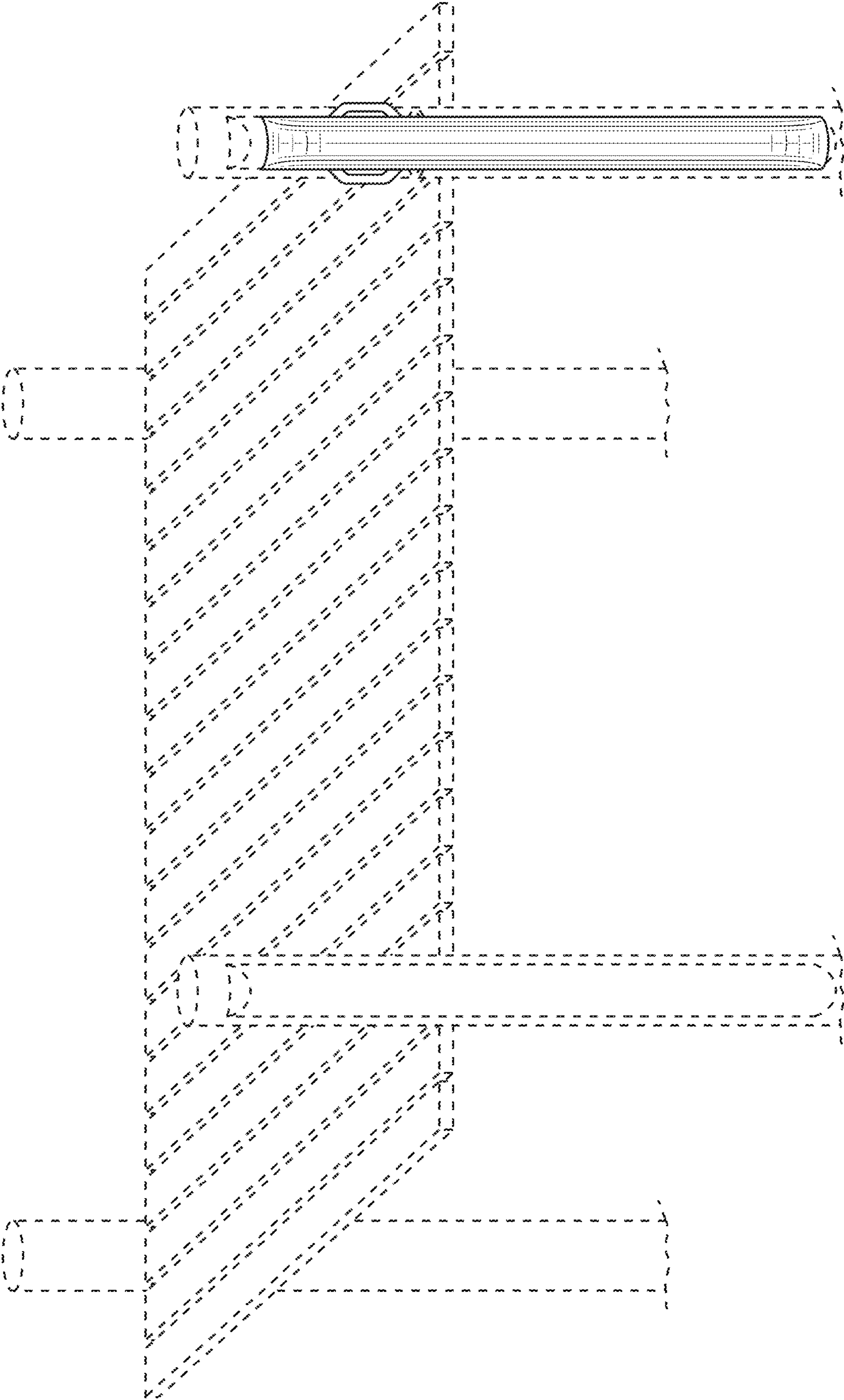


**FIG. 6**





**FIG. 7**



**FIG. 8**