



US00D922913S

(12) **United States Design Patent Works** (10) **Patent No.: US D922,913 S**
(45) **Date of Patent: ** Jun. 22, 2021**

(54) **DROP BAR FOR A TRAILER HITCH**
(71) Applicant: **B & W Custom Truck Beds, Inc.,**
Humboldt, KS (US)
(72) Inventor: **Joseph W. Works,** Humboldt, KS (US)
(73) Assignee: **B & W Custom Truck Beds, Inc.,**
Humboldt, KS (US)
(**) Term: **15 Years**
(21) Appl. No.: **29/722,744**
(22) Filed: **Jan. 31, 2020**
(51) **LOC (13) Cl. 12-16**
(52) **U.S. Cl.**
USPC **D12/162**
(58) **Field of Classification Search**
USPC D12/159, 160, 161, 162
CPC ... B60D 1/06; B60D 1/07; B60D 1/46; B60D
1/54; B60D 1/583; B60D 1/065; B60D
1/40
See application file for complete search history.

9,457,631 B1 * 10/2016 Kennemer B60D 1/46
D774,424 S * 12/2016 Angel B60D 1/46
D854,970 S * 7/2019 McCuskey D12/162
(Continued)

OTHER PUBLICATIONS

Photographs of admitted prior art: Cequent Hitch Drop Bar; On sale in the United States of America prior to Sep. 18, 2018 (See Exhibit A1 and A2). Sold by Cequent Performance Products, Inc.
(Continued)

Primary Examiner — Susan E Krakower
Assistant Examiner — Jerry Shiuan-Hua Hsu
(74) *Attorney, Agent, or Firm* — Erickson Kernell IP, LLC; Kent R. Erickson

(57) **CLAIM**

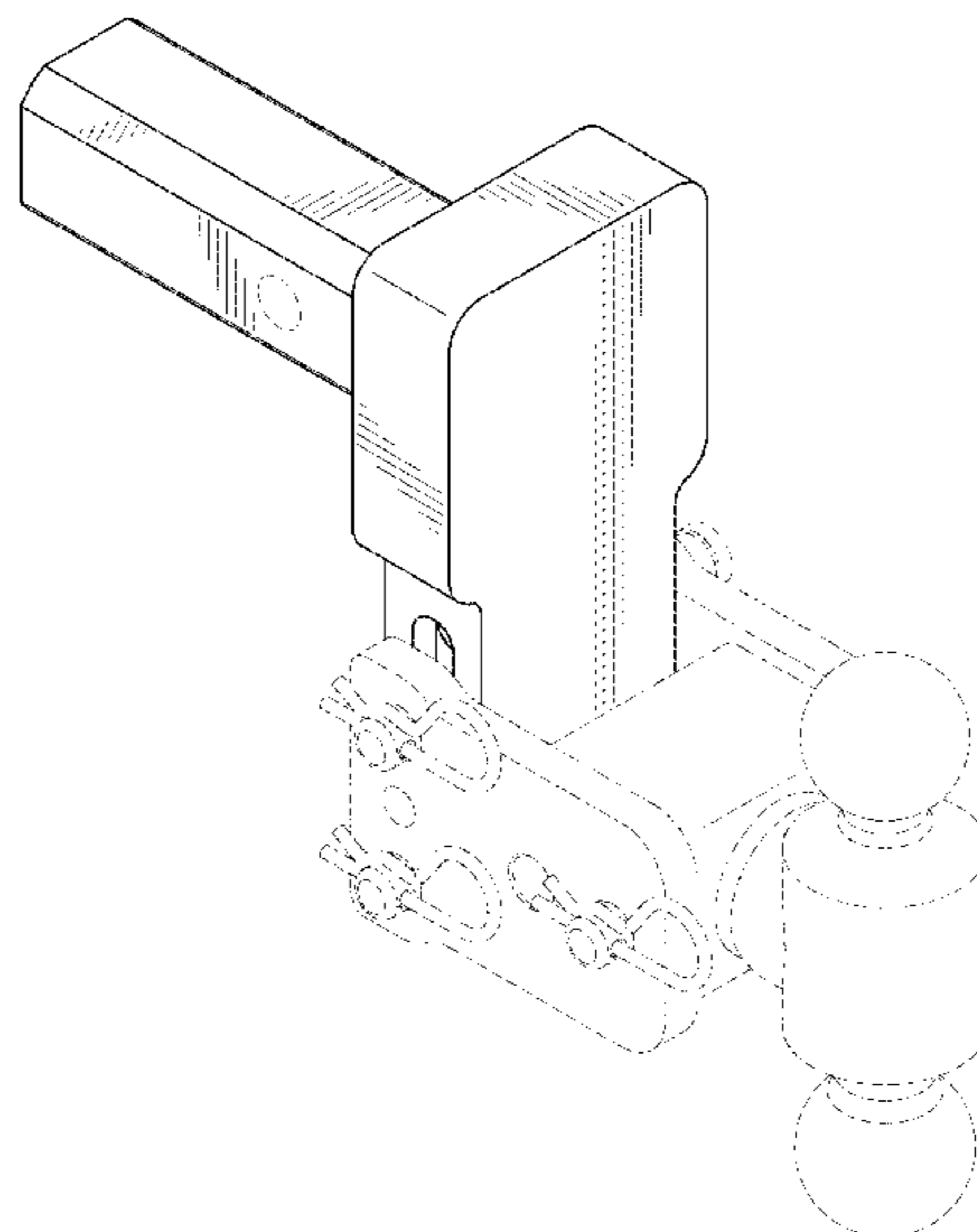
The ornamental design for a drop bar for a trailer hitch, as shown and described.

DESCRIPTION

FIG. 1 is a front perspective view of a drop bar for a trailer hitch, showing my new design in a state of use;
FIG. 2 is a front perspective view thereof;
FIG. 3 is a rear perspective view thereof;
FIG. 4 is a left-side, elevational view thereof, the right-side being a mirror image thereof;
FIG. 5 is a rear, elevational view thereof;
FIG. 6 is a front elevational view thereof;
FIG. 7 is a top, plan view thereof; and,
FIG. 8 is a bottom, plan view thereof.
The broken line circles on the claimed horizontal bar in FIGS. 1-4 illustrate portions of the drop bar for a trailer hitch and form no part of the claimed design. The broken lines showing a trailer hitch in FIG. 1 depict environmental structure that forms no part of the claimed design.

(56) **References Cited**
U.S. PATENT DOCUMENTS
D397,067 S * 8/1998 McCoy D12/162
6,460,870 B2 10/2002 Moss
6,712,381 B1 3/2004 Moss
6,789,815 B2 9/2004 Moss
6,974,148 B2 12/2005 Moss et al.
7,004,492 B2 2/2006 Moss et al.
7,029,022 B2 4/2006 Moss
7,125,036 B2 10/2006 Moss et al.
7,204,505 B2 4/2007 Moss
D553,058 S * 10/2007 Chen D12/162
7,819,416 B2 10/2010 Moss
D629,338 S * 12/2010 Ceccarelli D12/162
7,850,192 B2 * 12/2010 Ceccarelli B60D 1/40
280/478.1
8,979,112 B2 * 3/2015 Weipert B60D 1/07
280/491.5
D729,703 S * 5/2015 Song D12/162

1 Claim, 5 Drawing Sheets



(56)

References Cited

U.S. PATENT DOCUMENTS

10,857,846	B1 *	12/2020	Jacobs	B60D 1/065
2003/0006581	A1 *	1/2003	Moss	B60D 1/583
					280/416.1
2003/0052472	A1 *	3/2003	Moss	B60D 1/54
					280/415.1
2009/0295123	A1 *	12/2009	Good	B60D 1/46
					280/490.1
2010/0127479	A1 *	5/2010	Weipert	B60D 1/07
					280/491.1
2012/0217724	A1 *	8/2012	Works	B60D 1/06
					280/490.1

OTHER PUBLICATIONS

Photographs of admitted prior art: Husky Liners Drop Bar; On sale in the United States of America prior to Sep. 18, 2018 (See Exhibit

B1 and B2). Sold by Husky Liners, Inc. Currenity offered for sale at https://www.ebay.com/b/Husky-Liners-Car-Truck-Towing-Hauling/33653/bn_21008096.

Photographs of admitted prior art: Fastway Trailer Products Drop Bar; on sale in the United States of America prior to Sep. 18, 2018 (See Exhibit C1 and C2). Sold by Progress Mfg. Inc. Currently offered for sale on etrailer.com at https://www.etrailer.com/Trailer-Hitch-Ball-Mount/B-and-W/BWTS10048B.html?feed=npn&gclid=CjwKCAiAp4KCBhB6EiwAxRxbpIJQAJVtrb81UekAFeyovn0mVhicgCJVIIjOjYyVaKJ5V9kKN7sWluxoCep8QAvD_BwE.

Photographs of admitted prior art: B & W Trailer Hitches Drop Bar; on sale in the United States of America prior to Sep. 18, 2018 (See Exhibit D1 and D2). Sold by B&W Custom Truck Beds, Inc. Currenity offered for sale at https://www.etrailer.com/Trailer-Hitch-Ball-Mount/B-and-W/BWTS10048B.html?feed=npn&gclid=CjwKCAiAp4KCBhB6EiwAxRxbpIJQAJVtrb81UekAFeyovn0mVhKgCJVIIjOjYyVaKJ5V9kKN7sWluxoCep8QAvD_BwE.

* cited by examiner

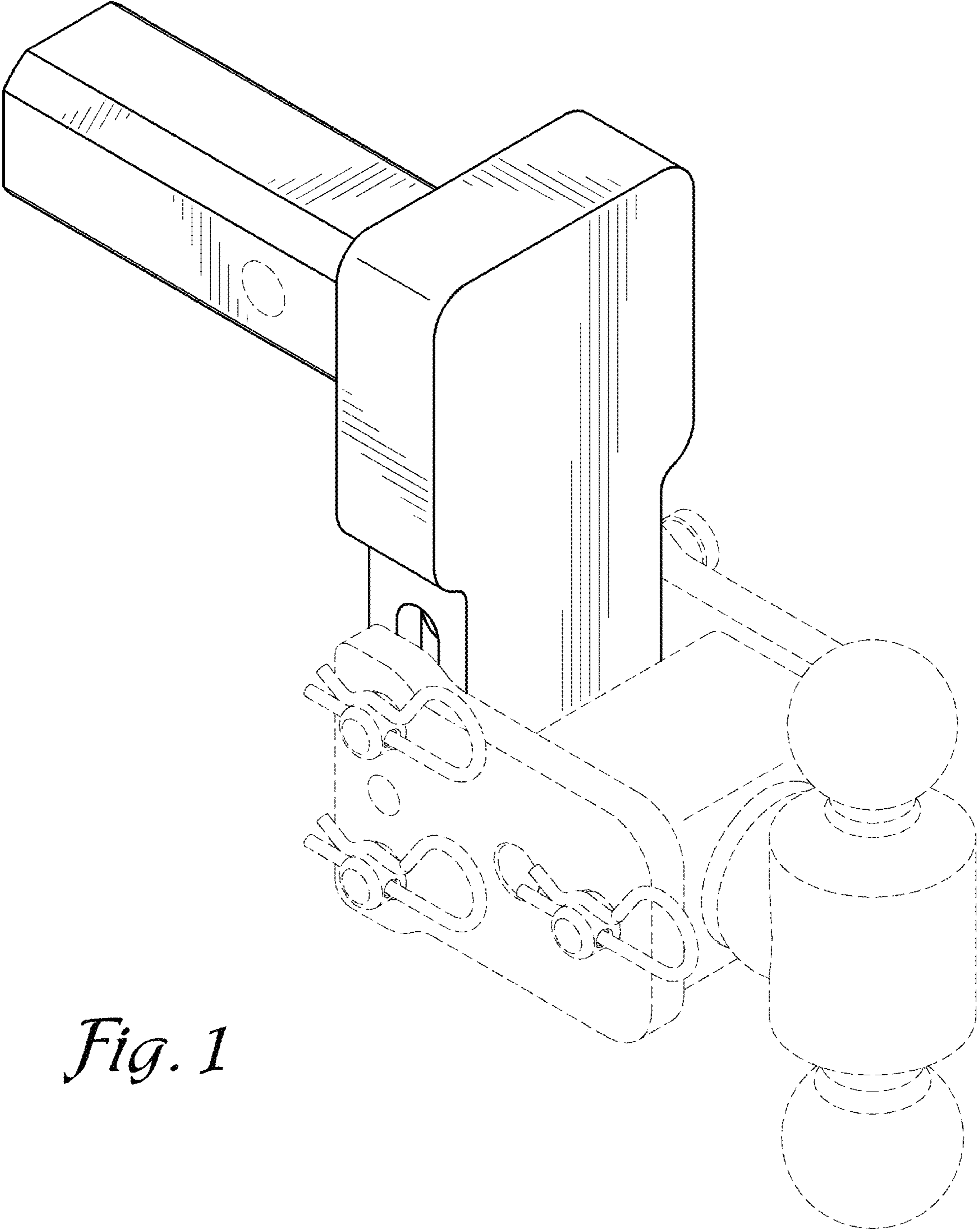


Fig. 1

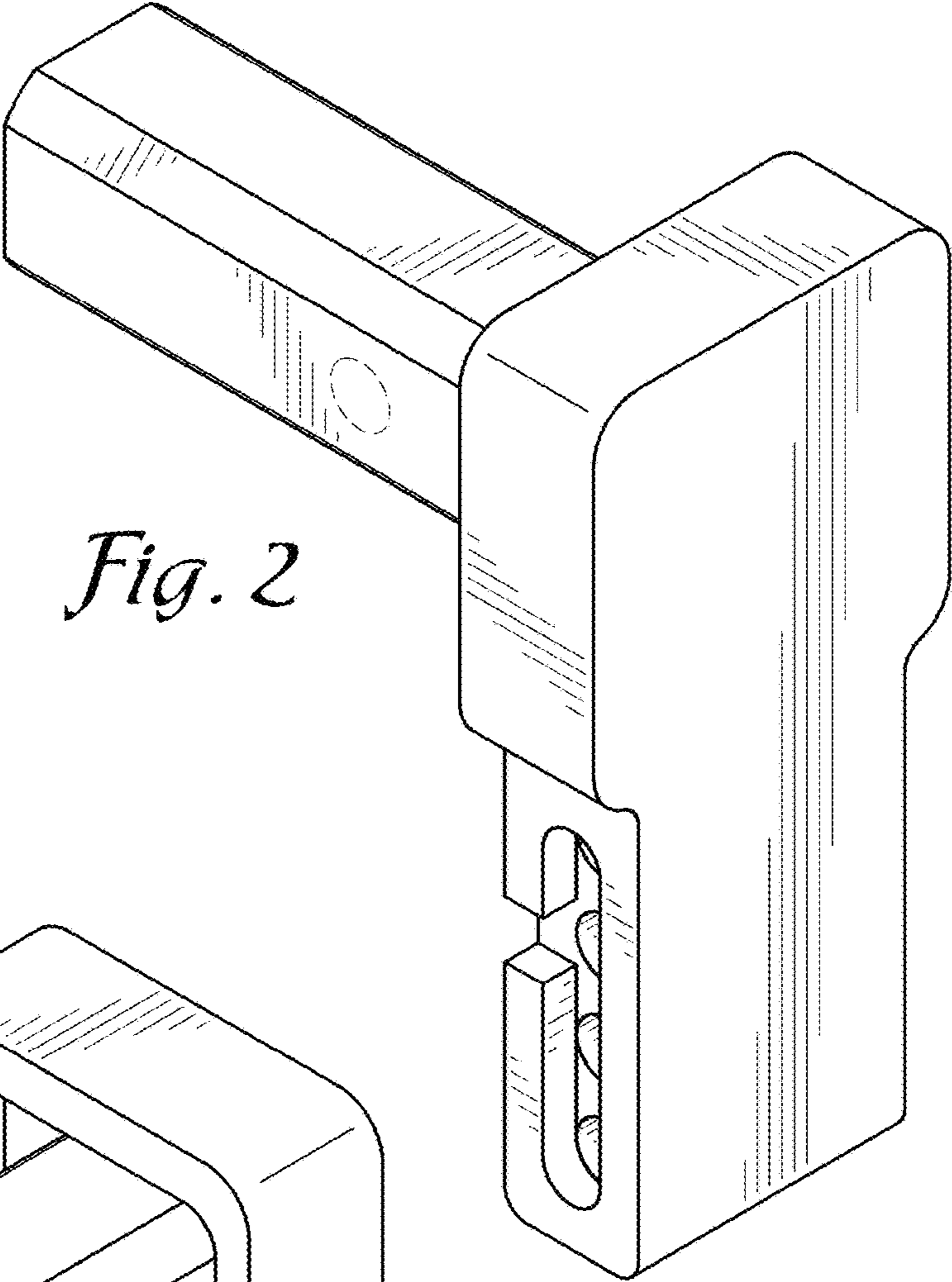


Fig. 2

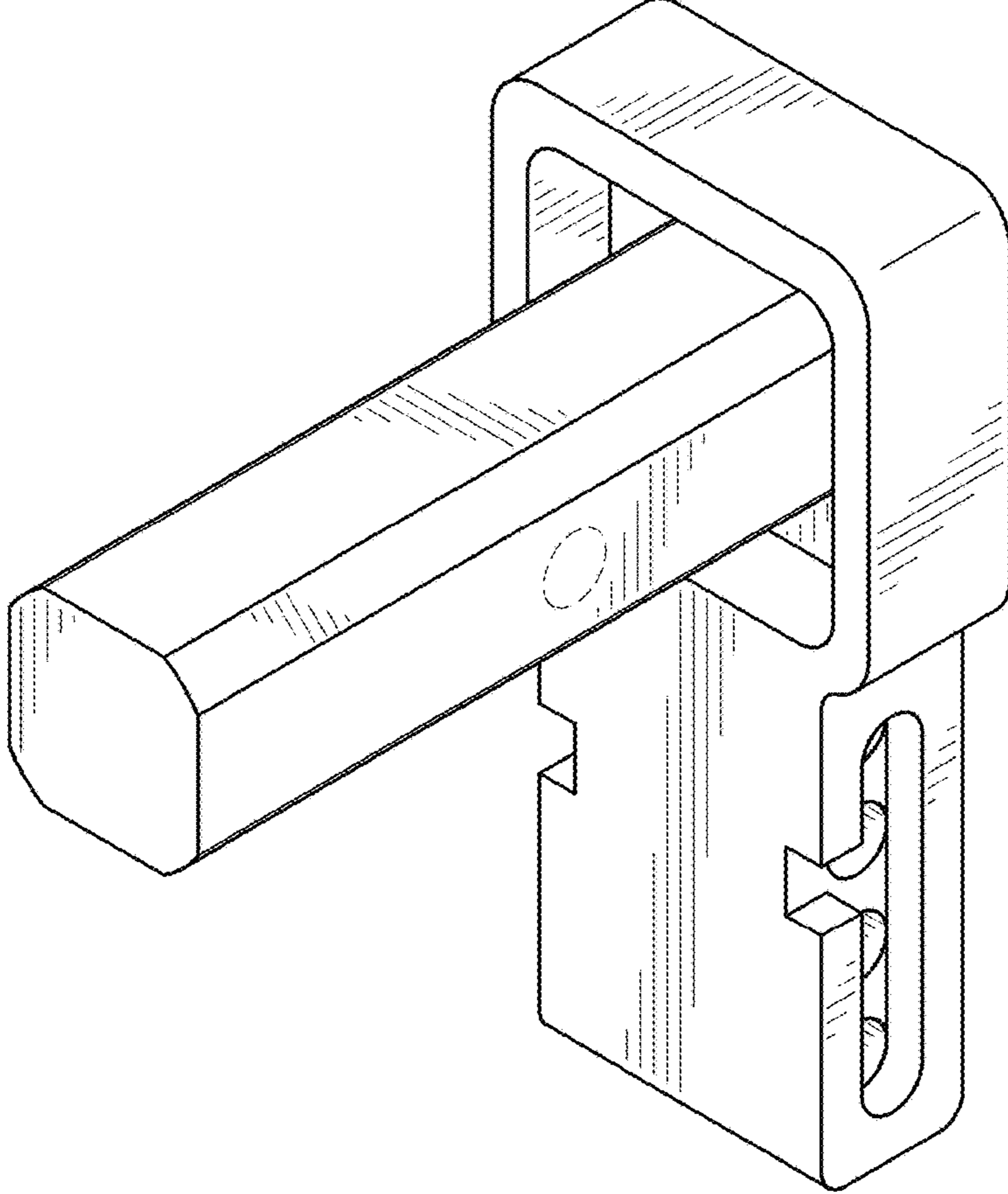


Fig. 3

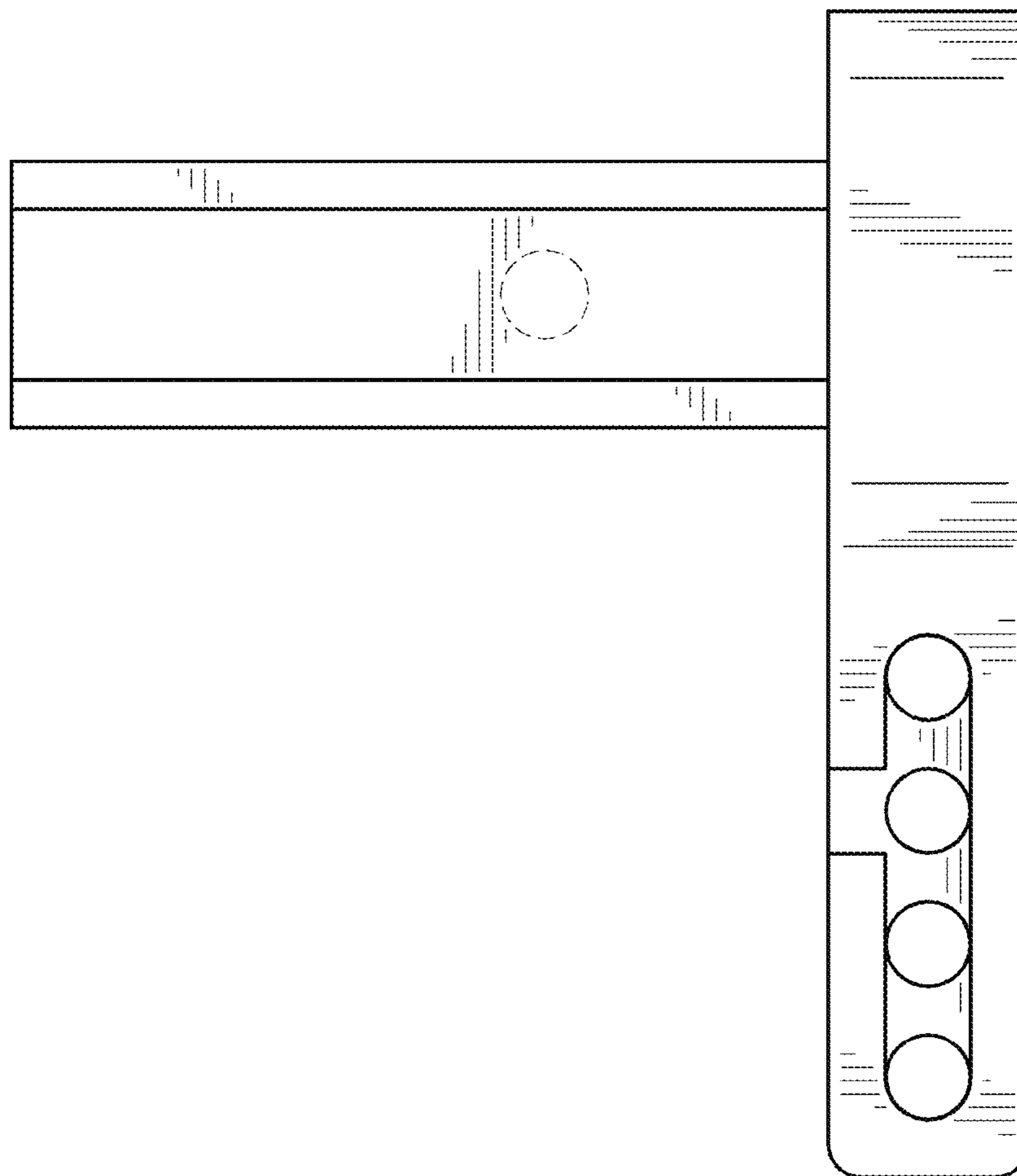


Fig. 4

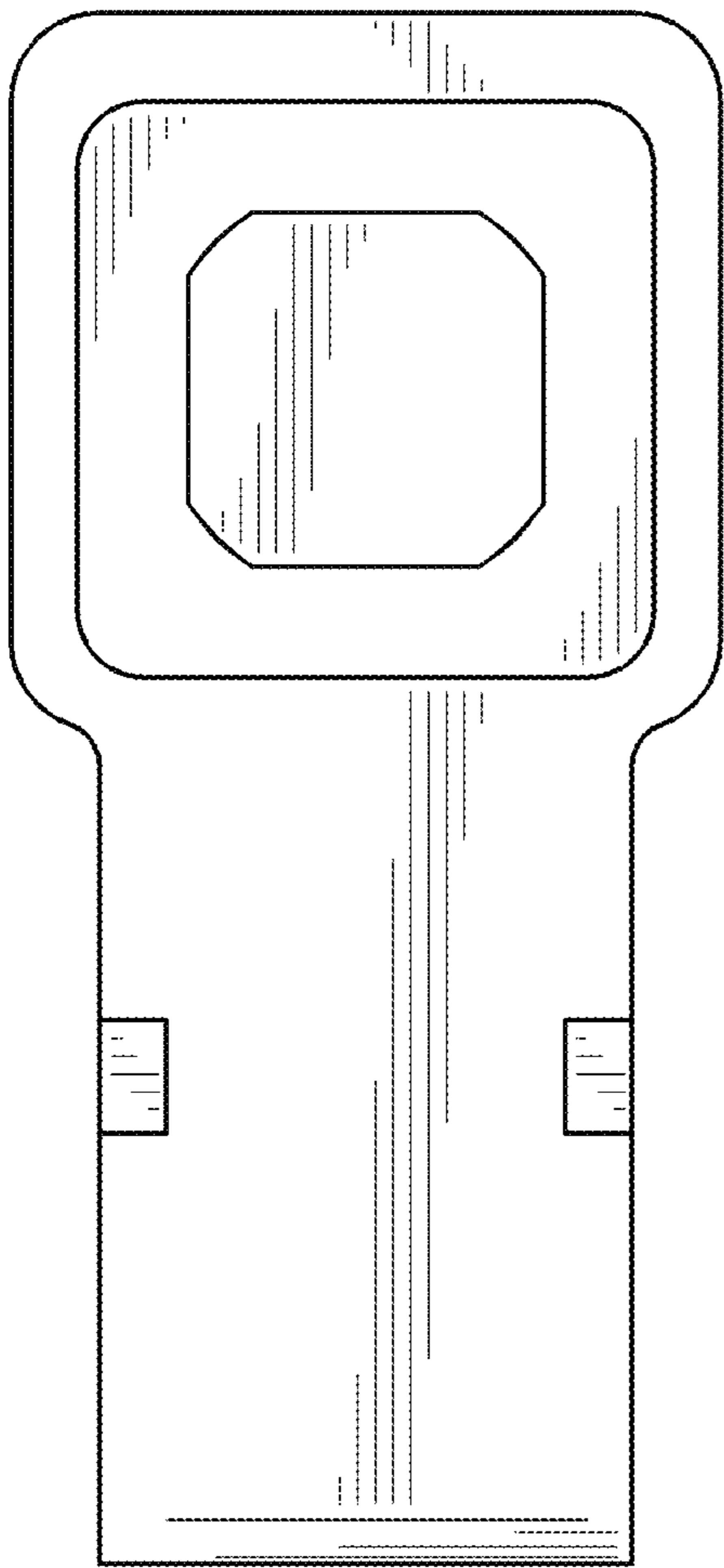


Fig. 5

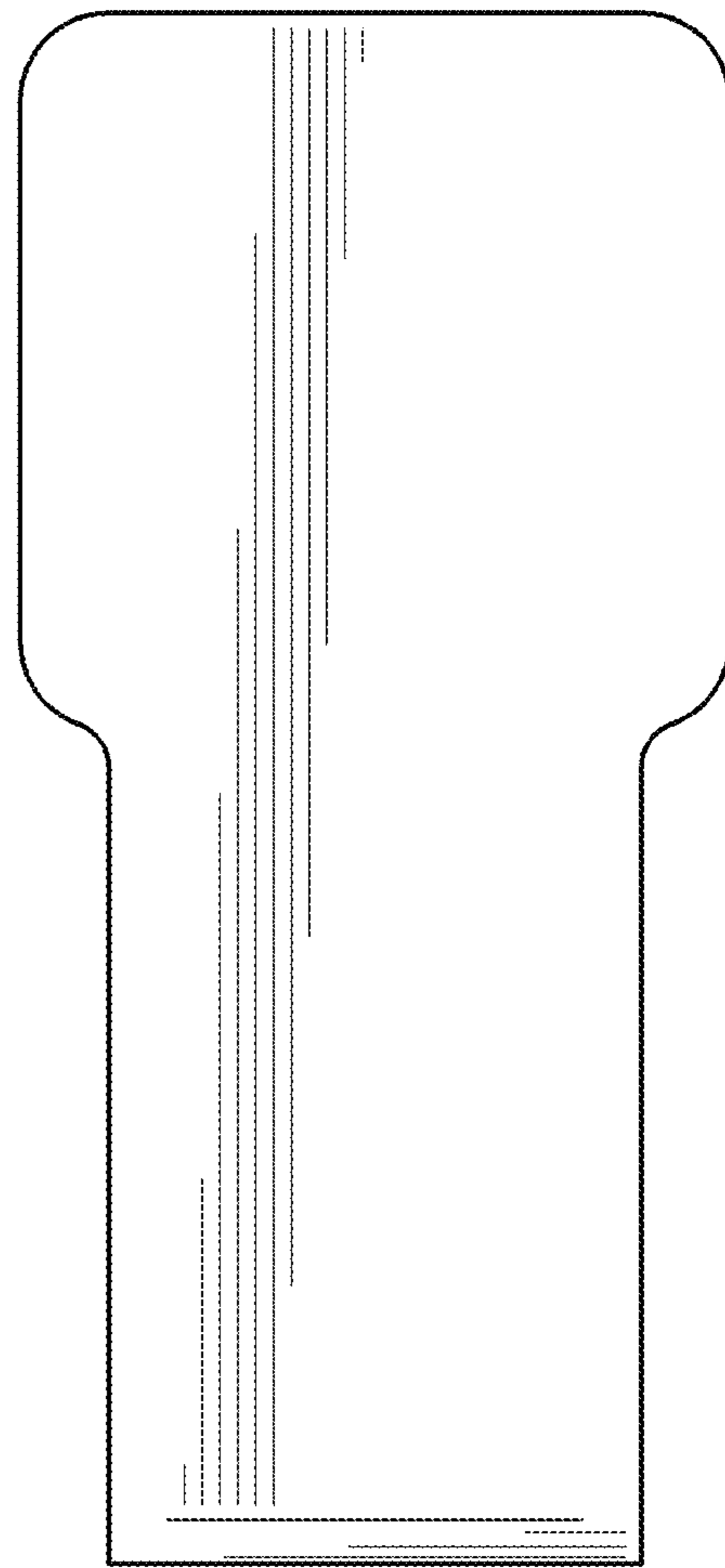


Fig. 6

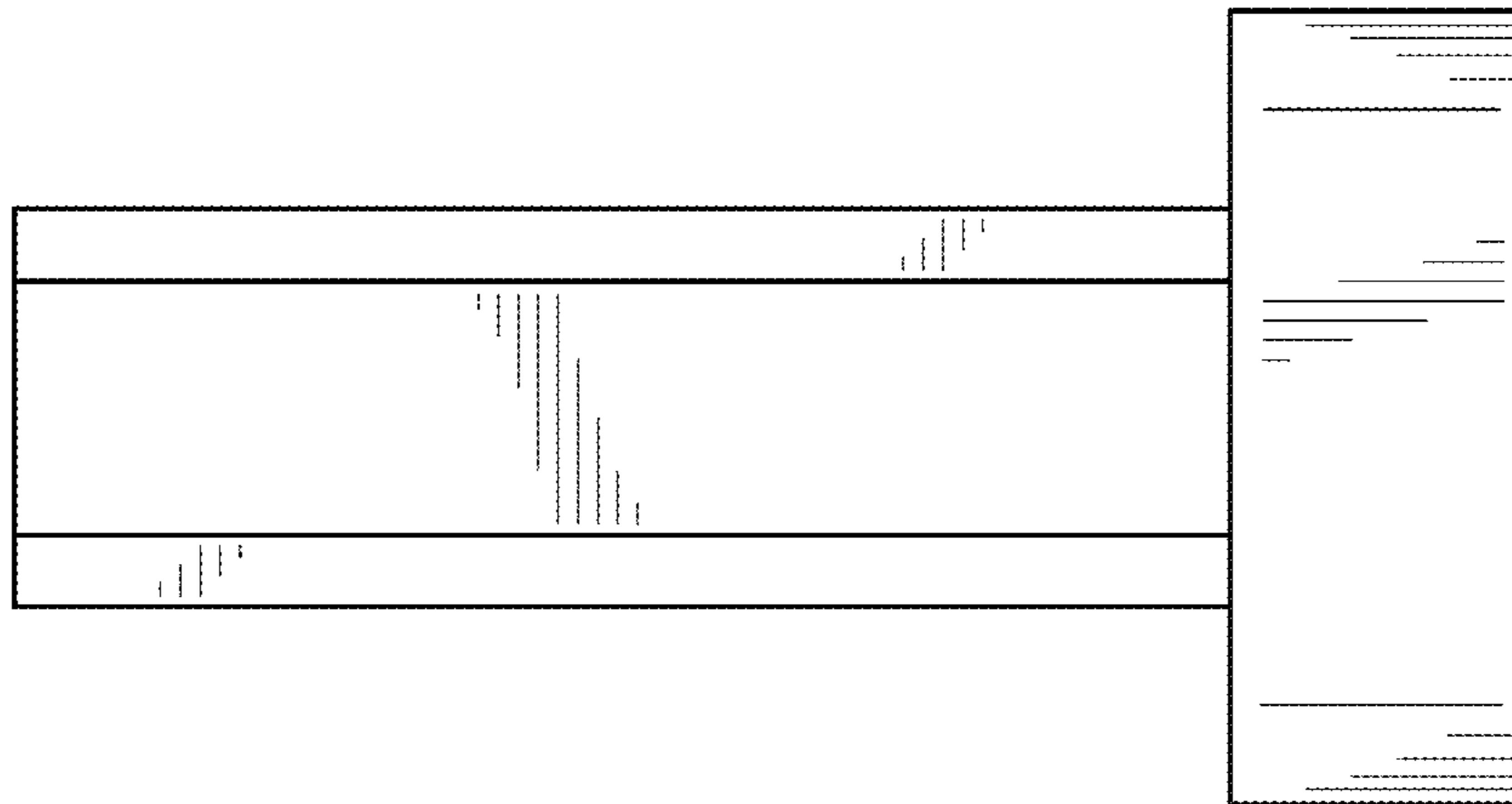


Fig. 7

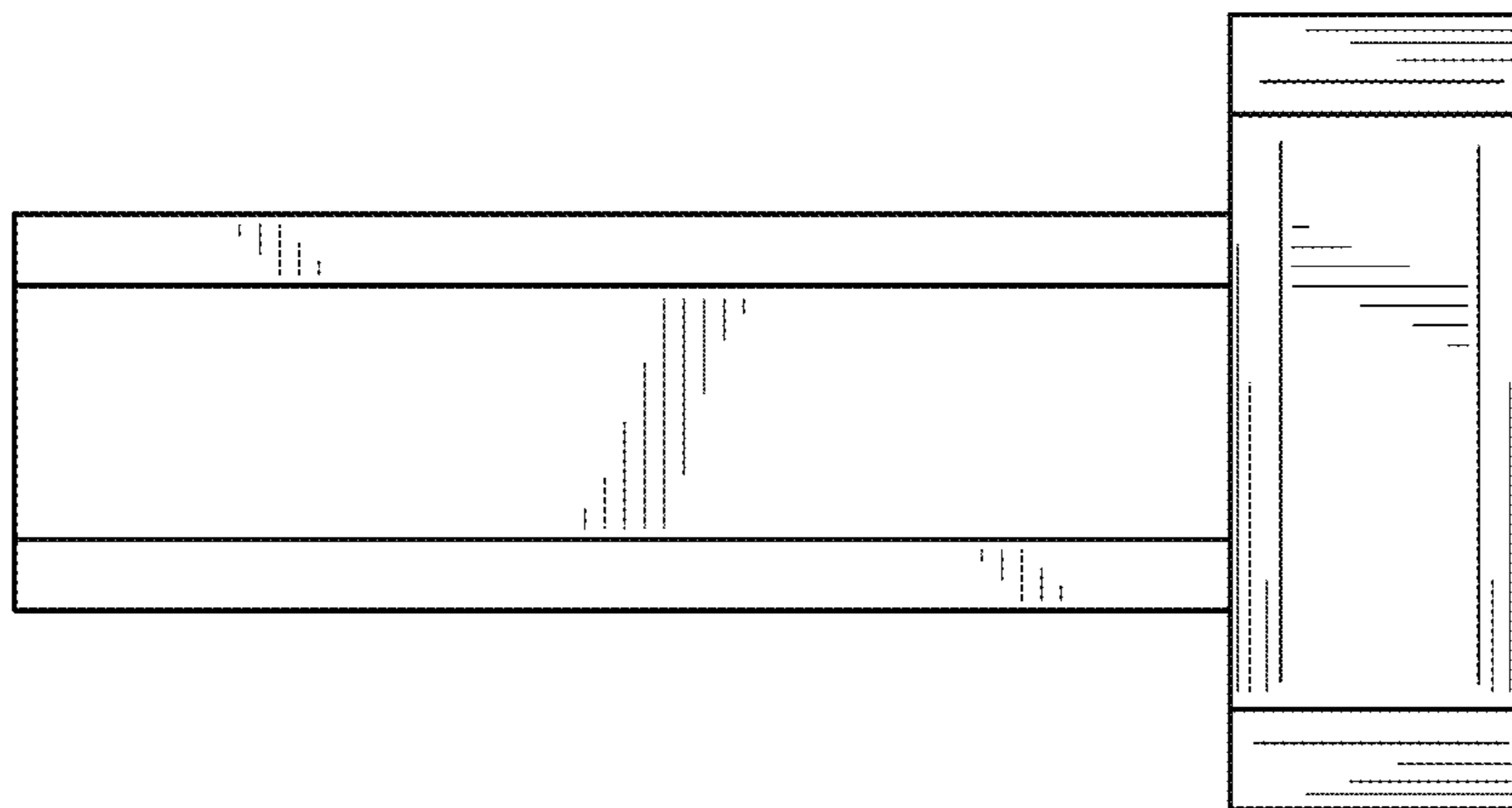


Fig. 8