



US00D922911S

(12) **United States Design Patent**
Wilson

(10) **Patent No.:** **US D922,911 S**

(45) **Date of Patent:** **** *Jun. 22, 2021**

(54) **BICYCLE PEDAL**

(71) Applicant: **James Wilson**, Grand Junction, CO
(US)

(72) Inventor: **James Wilson**, Grand Junction, CO
(US)

(*) Notice: This patent is subject to a terminal disclaimer.

(**) Term: **15 Years**

(21) Appl. No.: **29/719,396**

(22) Filed: **Jan. 3, 2020**

(51) **LOC (13) Cl.** **12-11**

(52) **U.S. Cl.**
USPC **D12/125**

(58) **Field of Classification Search**
USPC D12/111-114, 125, 180
CPC ... B62M 3/00; B62M 3/08; B60T 7/06; B60T
7/065; B60R 21/09; Y10T 74/2168; B60N
3/063; B62J 25/00
See application file for complete search history.

(56) **References Cited**

U.S. PATENT DOCUMENTS

- 527,349 A * 10/1894 Scognamillo et al.
B62M 3/086
74/594.6
- 629,945 A * 8/1899 Yerby et al. B62M 3/08
74/594.5
- 1,977,235 A * 10/1934 Lofquist B62M 3/08
74/594.4
- 2,069,454 A * 2/1937 Lofquist B62M 3/08
74/594.4
- 2,641,249 A * 6/1953 Brockman A63B 22/0046
601/36
- 3,960,027 A * 6/1976 Magnuson B62M 3/083
74/594.6
- 4,004,468 A * 1/1977 Durham B62M 3/08
74/594.4

- D280,192 S * 8/1985 Watanabe 74/594.4
- D284,459 S * 7/1986 Shimizu 74/594.4
- D299,222 S * 1/1989 Feamster, III 74/594.4
- D299,449 S * 1/1989 Chounan 74/594.4
- D301,705 S * 6/1989 Ropp D12/125
- D302,260 S * 7/1989 Schieferstein D12/125
- D302,668 S * 8/1989 Chounan D12/125
- D320,369 S * 10/1991 Feamster, III D12/125
- 5,259,270 A * 11/1993 Lin B62M 3/086
36/131
- 5,662,006 A * 9/1997 Angeltun B62M 3/02
74/594.4

(Continued)

OTHER PUBLICATIONS

“Rockbros MTB Pedals Mountain Bike Pedals” Rockbros Store., posted date May 1, 2018 [online], [retrieved on Dec. 30, 2020]. Retrieved from the Internet <URL: <https://www.amazon.com/RockBros-Lightweight-Mountain-Bicycle-Platform/dp/B07CWRZPJ7>> (Year: 2018).*

(Continued)

Primary Examiner — Darlington Ly
Assistant Examiner — Nasim Abdulaziz Ali
(74) *Attorney, Agent, or Firm* — Leber IP Law; Celia H. Leber

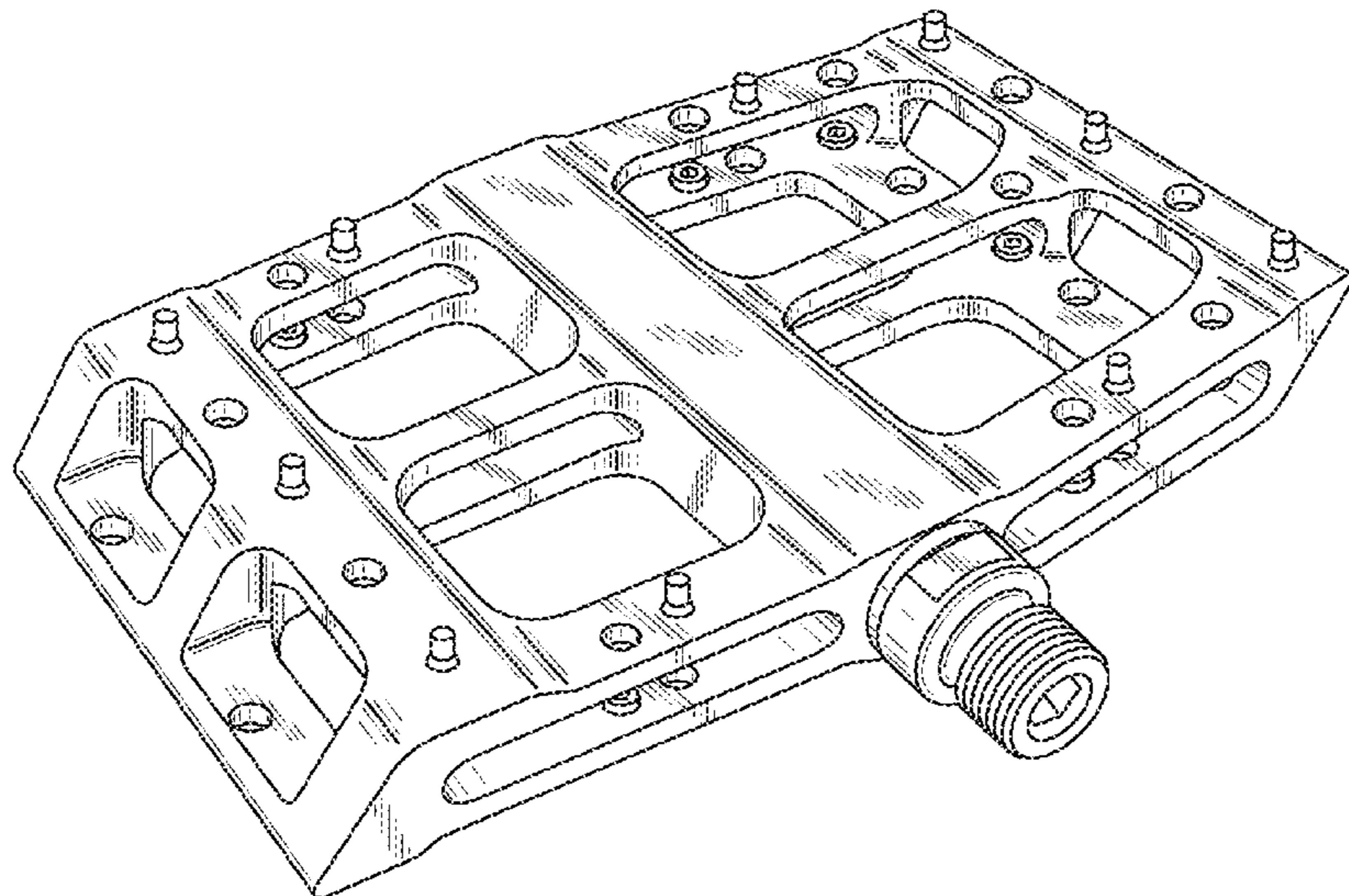
(57) **CLAIM**

What is claimed is the ornamental design for a bicycle pedal, as shown and described.

DESCRIPTION

FIG. 1 is a perspective view of a bicycle pedal, showing the new design;
FIG. 2 is a top plan view thereof;
FIG. 3 is a right side elevational view thereof;
FIG. 4 is a bottom plan view thereof;
FIG. 5 is a left side elevational view thereof;
FIG. 6 is a rear elevational view thereof; and,
FIG. 7 is a front elevational view thereof.

1 Claim, 4 Drawing Sheets



(56)

References Cited

U.S. PATENT DOCUMENTS

D387,706	S *	12/1997	Hanamura	D12/125
D414,723	S *	10/1999	Hanamura	D12/125
D432,463	S *	10/2000	Hanamura	D12/125
6,128,973	A *	10/2000	Nagano	B62M 3/086 403/24
D486,426	S *	2/2004	Lin	D12/125
D524,195	S *	7/2006	Neal	D12/125
D667,348	S *	9/2012	Canfield	D12/125
D687,743	S *	8/2013	Lin	D12/125
8,714,052	B2 *	5/2014	Chamberlain	B62M 3/08 74/594.4
D739,313	S *	9/2015	Chen	D12/125
D758,255	S *	6/2016	Tsai	D12/125
D779,387	S *	2/2017	Wilson	D12/125
D839,790	S *	2/2019	Henne	D12/125
D870,602	S *	12/2019	Talios	D12/125
D880,373	S *	4/2020	Rupp	D12/125
D905,757	S *	12/2020	Domke	D15/4
2006/0048599	A1 *	3/2006	Wald	B62M 3/083 74/594.6
2006/0266154	A1 *	11/2006	Hermansen	B62M 3/08 74/594.4
2008/0011121	A1 *	1/2008	Topfer	B62M 3/08 74/594.6
2009/0095123	A1 *	4/2009	Weagle	B62M 3/08 74/560
2009/0241725	A1 *	10/2009	Chen	B62M 3/08 74/594.4
2009/0260477	A1 *	10/2009	Railing	B62M 3/086 74/594.6
2010/0064846	A1 *	3/2010	Tsai	B62M 3/08 74/594.4
2013/0091983	A1 *	4/2013	Scheiman	B62M 3/086 74/594.6
2016/0304154	A1 *	10/2016	Wilson	B62M 3/08

OTHER PUBLICATIONS

“Shimano PD-EH500 Multi-Purpose Bike Pedals” Bicycle Warehouse., posted date May 30, 2018 [online], [retrieved on Dec. 30, 2020]. Retrieved from the Internet <URL: <https://bicyclewarehouse.com/products/shimano-pd-eh500-multi-purpose-pedals>> (Year: 2018).*

“Shimano Deore XT PD-T8000 pedal” Cyclist.co.uk., posted date Jan. 3, 2019 [online]. [retrieved on Dec. 30, 2020]. Retrieved from the Internet <URL: <https://www.cyclist.co.uk/reviews/5800/shimano-deore-xt-pd-t8000-pedal-review>> (Year: 2019).*

TerraTrike Strapped Heel Support Pedal: <http://shop.terratrike.com/Strapped-Heel-Support-Pedal-p/tt000024.htm>, downloaded Jan. 12, 2016.

Ergon PC2 bicycle pedal: <http://www.ergon-bike.com/us/en/product/pc2>, downloaded Jan. 12, 2016.

Moto Bicycles Innovations moto pedal: <http://www.motobicycles.com/moto-urban-pedal-en.html#jump2top>, downloaded Jan. 12, 2016.

Wilson, James. “Pedaling Innovations Introduces the Catalyst Pedal.” Trail Forks., Oct. 5, 2015 [online], [retrieved on Nov. 4, 2016]. Retrieved from the Internet <URL: <http://www.pinkbike.com/news/pedaling-innovations-catalyst-flat-pedal-2015.html>>, 8 pages.

“The 5 Best Mountain Bike Pedals.” Dave’s Bike Site., Nov. 25, 2014 [online], [retrieved on Nov. 4, 2016]. Retrieved from the Internet <URL: <http://www.davescheapbikes.com/cheap-mountain-bikes/best-mountain-bike-pedals/>>, 5 pages.

“With the Maglock Bike Pedal, you rule your bike.” Maglock Bike Pedal., Aug. 26, 2014 [online], [retrieved on Nov. 4, 2016]. Retrieved from the Internet <URL: <http://www.maglockbikepedal.com/technology.html>>, 2 pages.

McLaughlin, Ric. “e*thirteen LG1+ pedals review”, Bike Radar, Mar. 15, 2013 [online], [retrieved on Nov. 4, 2016], Retrieved from the Internet <URL: <http://www.bikeradar.com/us/mtb/gear/category/components/pedals/product/review-e-thirteen-lg1-flat-pedals-12-47046>>, 1 page.

* cited by examiner

FIG. 1

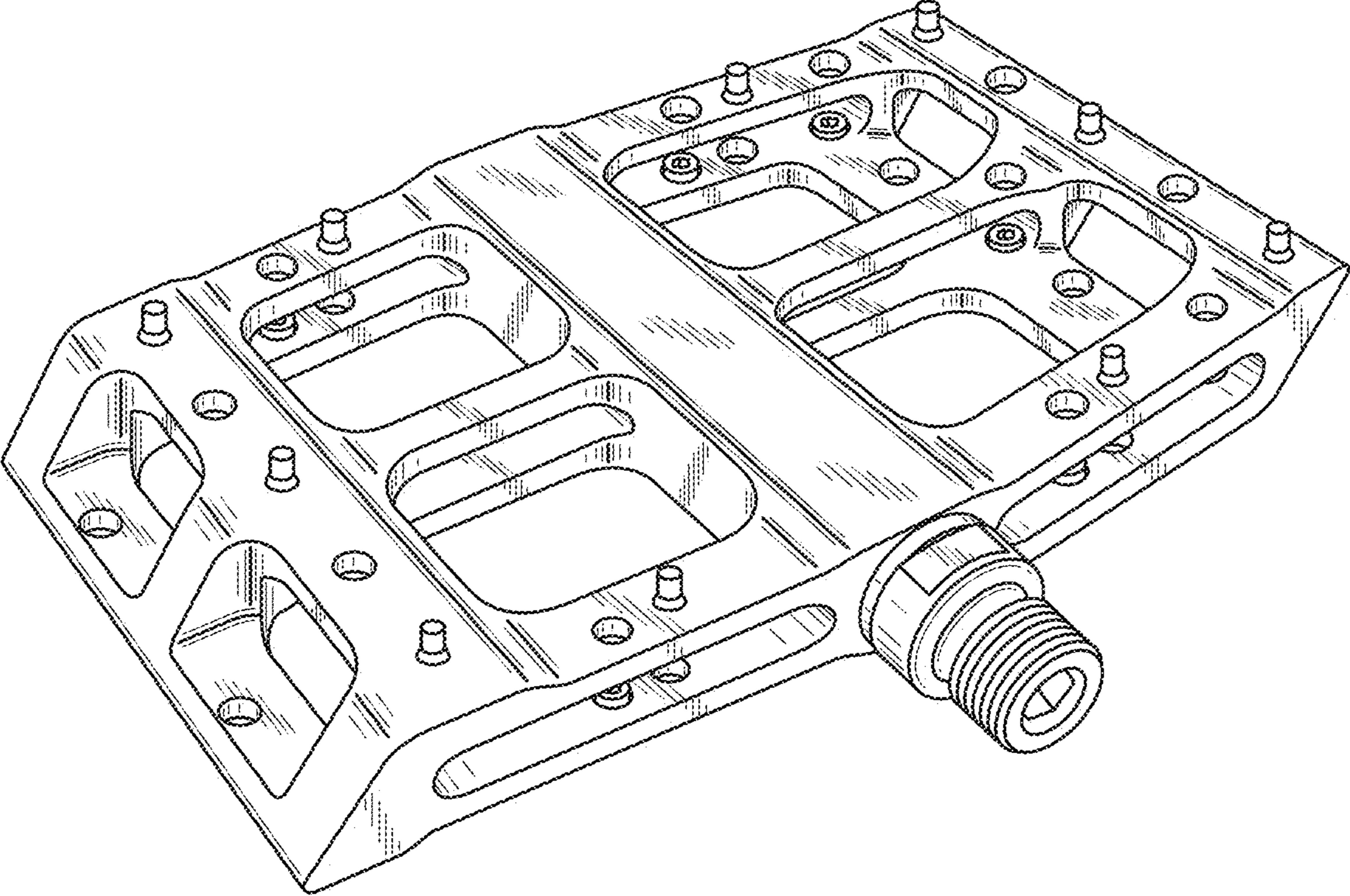


FIG. 2

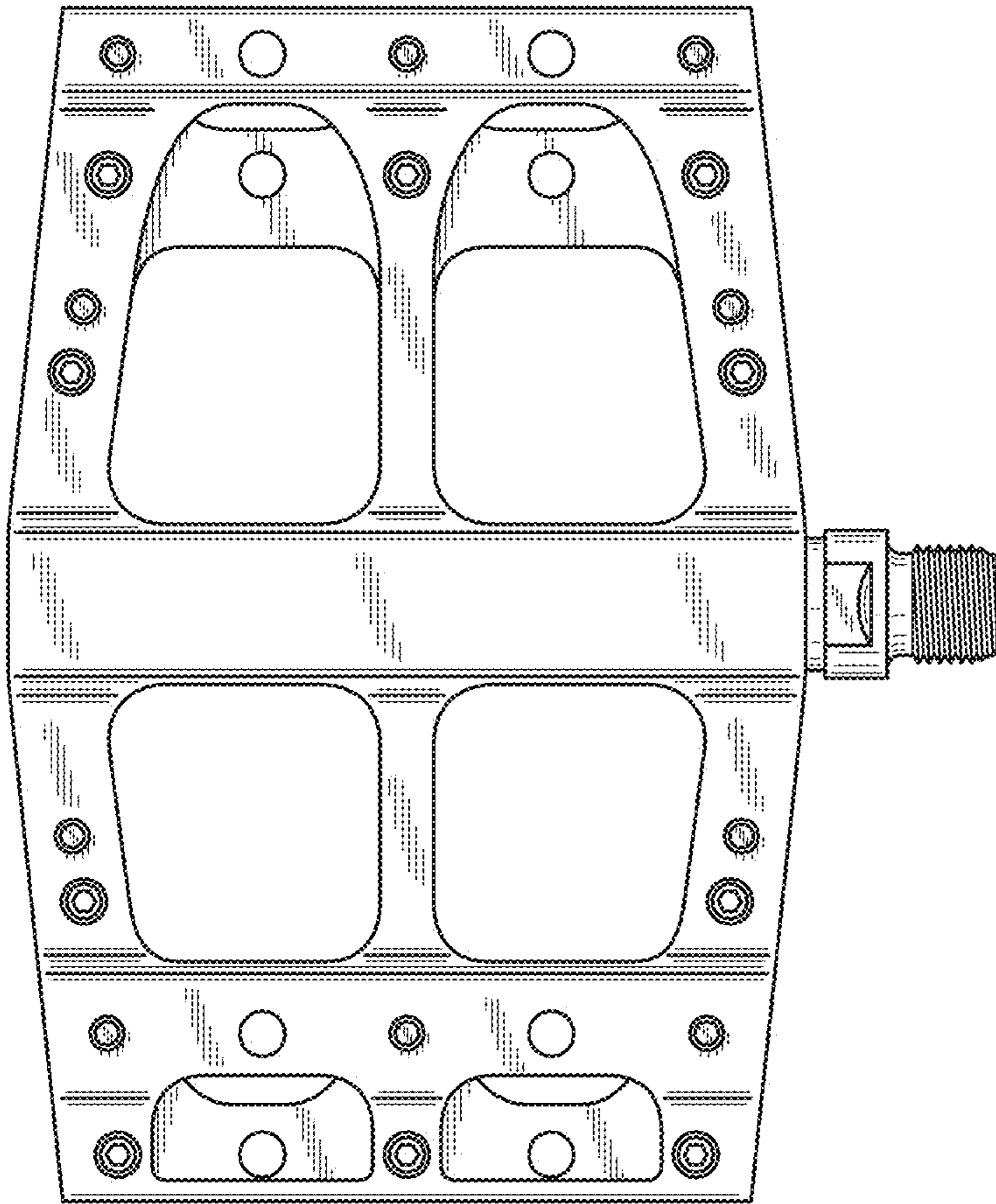


FIG. 3

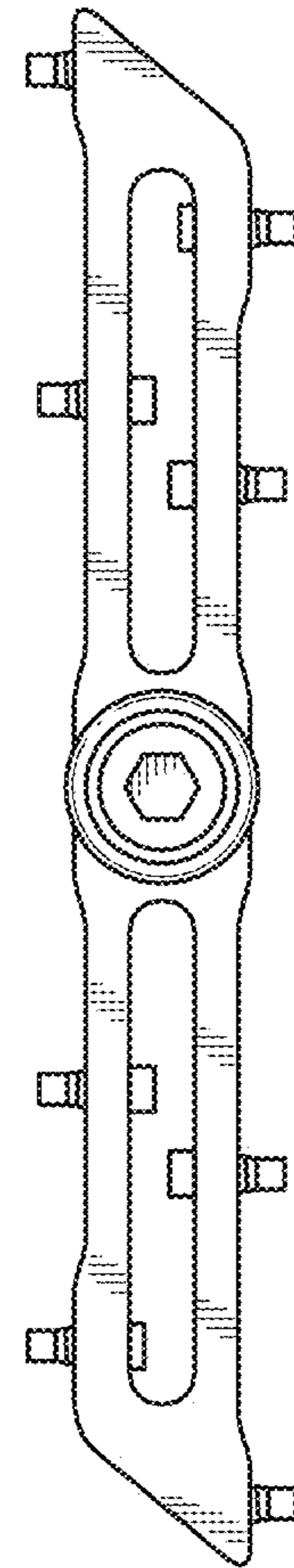


FIG. 4

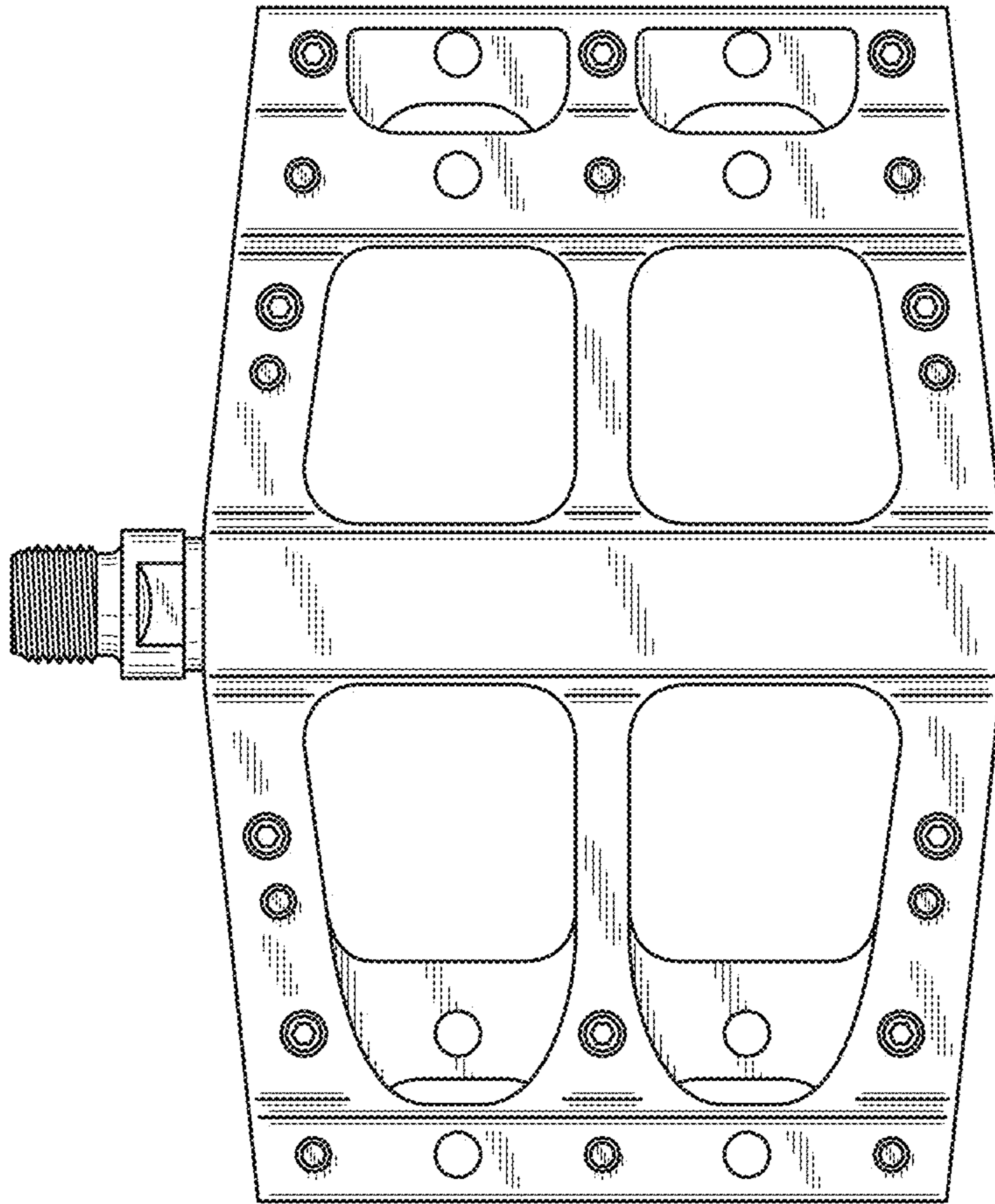


FIG. 5

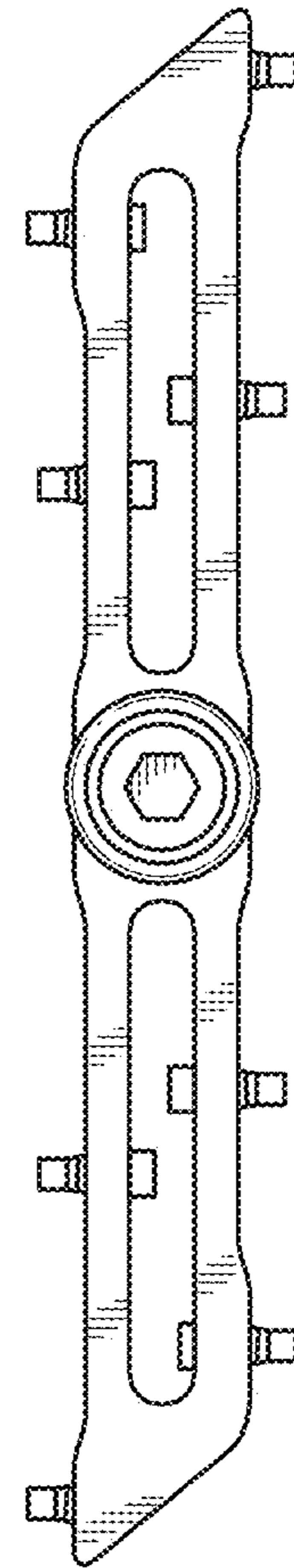


FIG. 6

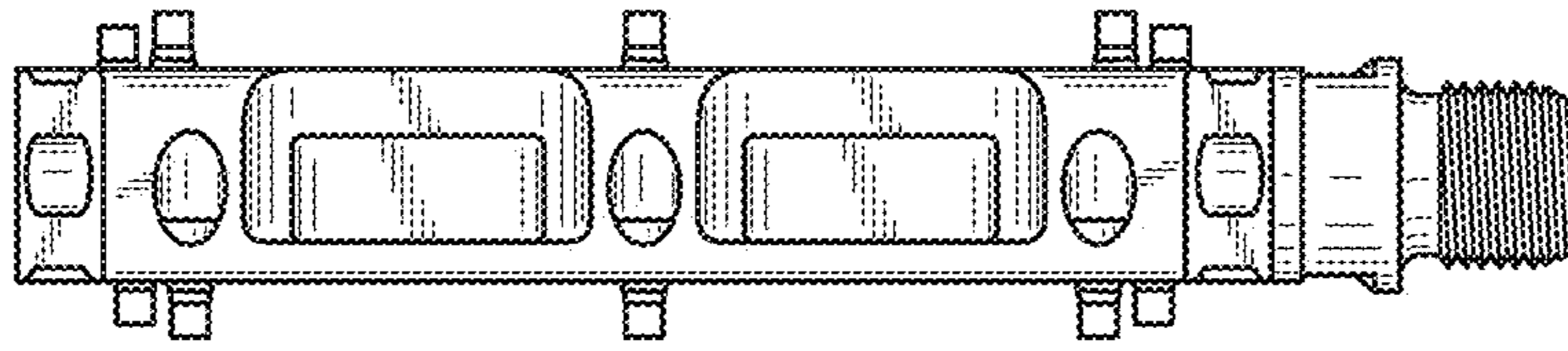


FIG. 7

