



US00D922908S

(12) **United States Design Patent**
Amade

(10) **Patent No.:** **US D922,908 S**
(45) **Date of Patent:** **** Jun. 22, 2021**

(54) **ROAD VEHICLE TRAILER**

(71) Applicant: **Dayn Amade Inventions Ltd.**, London (GB)

(72) Inventor: **Dayn Amade**, Maputo (MZ)

(**) Term: **15 Years**

(21) Appl. No.: **35/508,783**

(22) Filed: **Aug. 30, 2019**

(80) **Hague Agreement Data**

Int. Filing Date: **Aug. 30, 2019**

Int. Reg. No.: **DM/206374**

Int. Reg. Date: **Aug. 30, 2019**

Int. Reg. Pub. Date: **Mar. 13, 2020**

(30) **Foreign Application Priority Data**

Jun. 14, 2019 (GB) 6063276

(51) **LOC (13) Cl.** **12-10**

(52) **U.S. Cl.**
USPC **D12/102**

(58) **Field of Classification Search**
USPC D12/86, 93, 95, 96, 97, 98, 99, 101, 102,
D12/103, 104, 105, 106; D21/558
CPC .. B60P 3/04; B60P 3/32; B60P 3/2215; B60P
3/1145; B60P 3/1155; B60P 3/1165;
B62D 34/001; A63H 17/00
See application file for complete search history.

(56) **References Cited**

U.S. PATENT DOCUMENTS

D390,502 S * 2/1998 Bloemendal D12/103
D458,190 S * 6/2002 LeDonne D12/102
D464,593 S * 10/2002 Register D12/102
7,131,666 B1 * 11/2006 Jenney B60G 21/007
280/786

D560,558 S * 1/2008 Hughes D12/102
D561,063 S * 2/2008 Hughes D12/102
D625,667 S * 10/2010 Oviedo D12/102
8,082,698 B2 * 12/2011 Drake B60P 3/34
52/79.5
D659,595 S * 5/2012 Eliason D12/102
D742,815 S * 11/2015 Shaw D13/102
D758,922 S * 6/2016 Cavallo D12/102
D762,145 S * 7/2016 Van Bosstraeten D12/102
D822,544 S * 7/2018 Black D12/102
D866,401 S * 11/2019 Arter D12/102
D867,218 S * 11/2019 Arter D12/102
D887,308 S * 6/2020 Carlson D12/102
2005/0253417 A1 * 11/2005 Cundy B60P 3/077
296/168
2007/0262611 A1 * 11/2007 Freeman B60P 3/341
296/168

FOREIGN PATENT DOCUMENTS

GB 2553819 A 3/2018
WO WO-2018051119 A1 3/2018

* cited by examiner

Primary Examiner — Darlington Ly

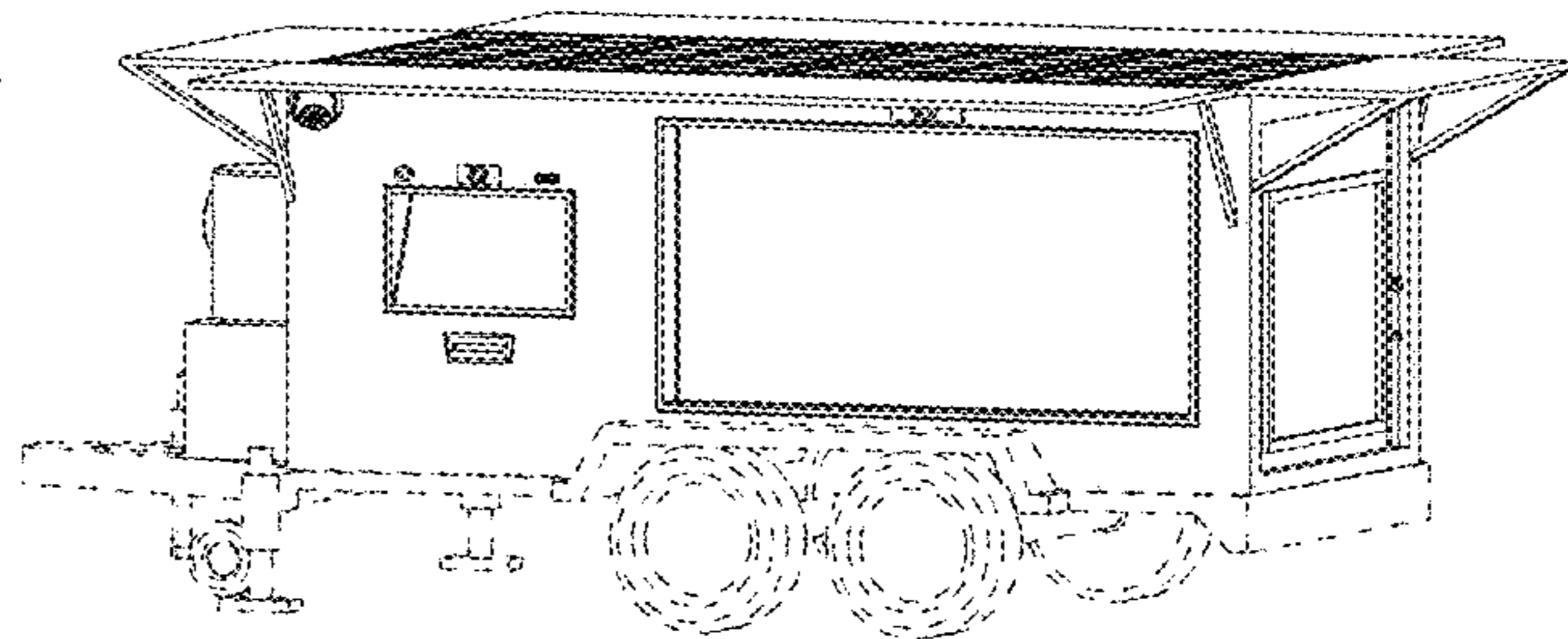
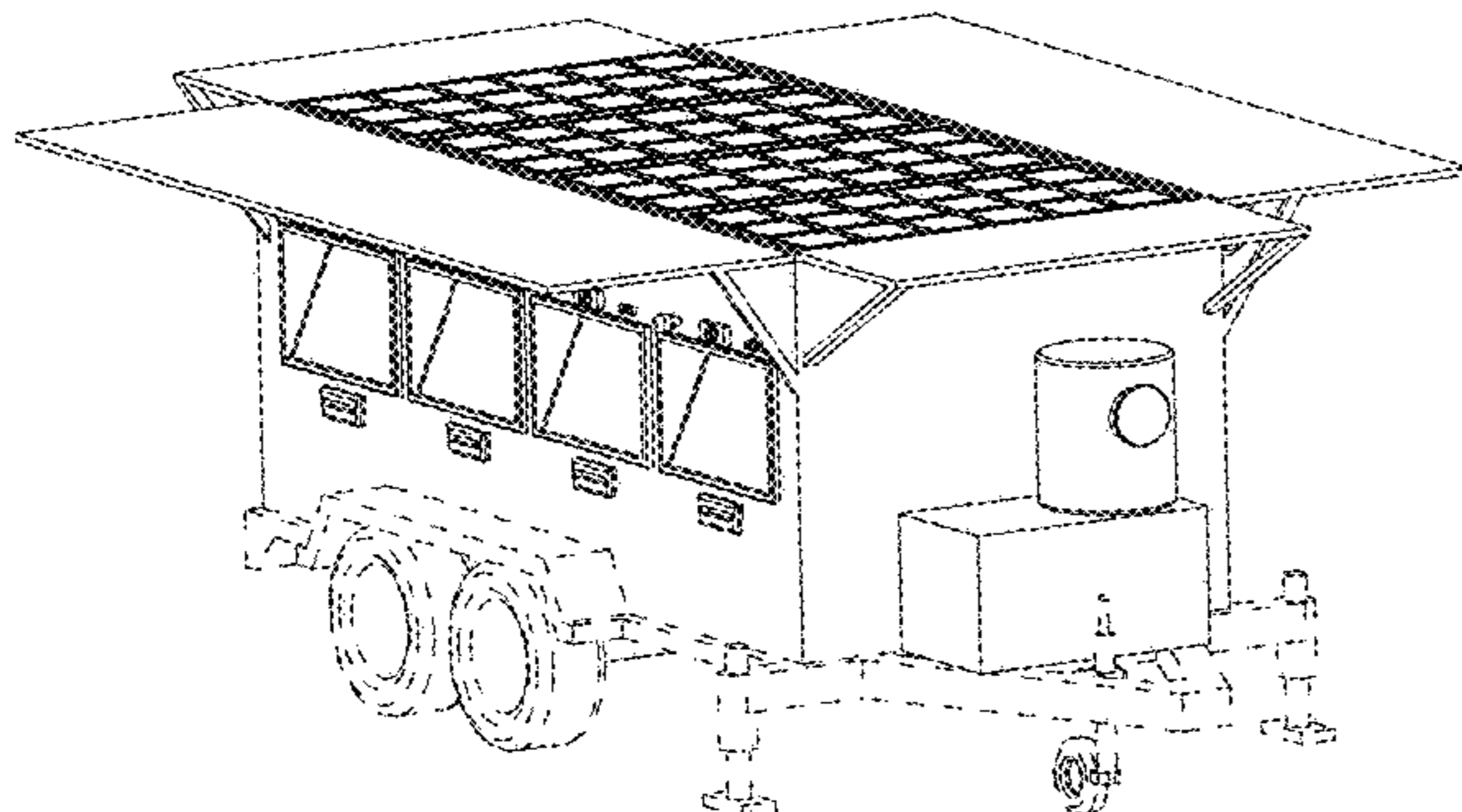
(57) **CLAIM**

The ornamental design for a road vehicle trailer, as shown and described.

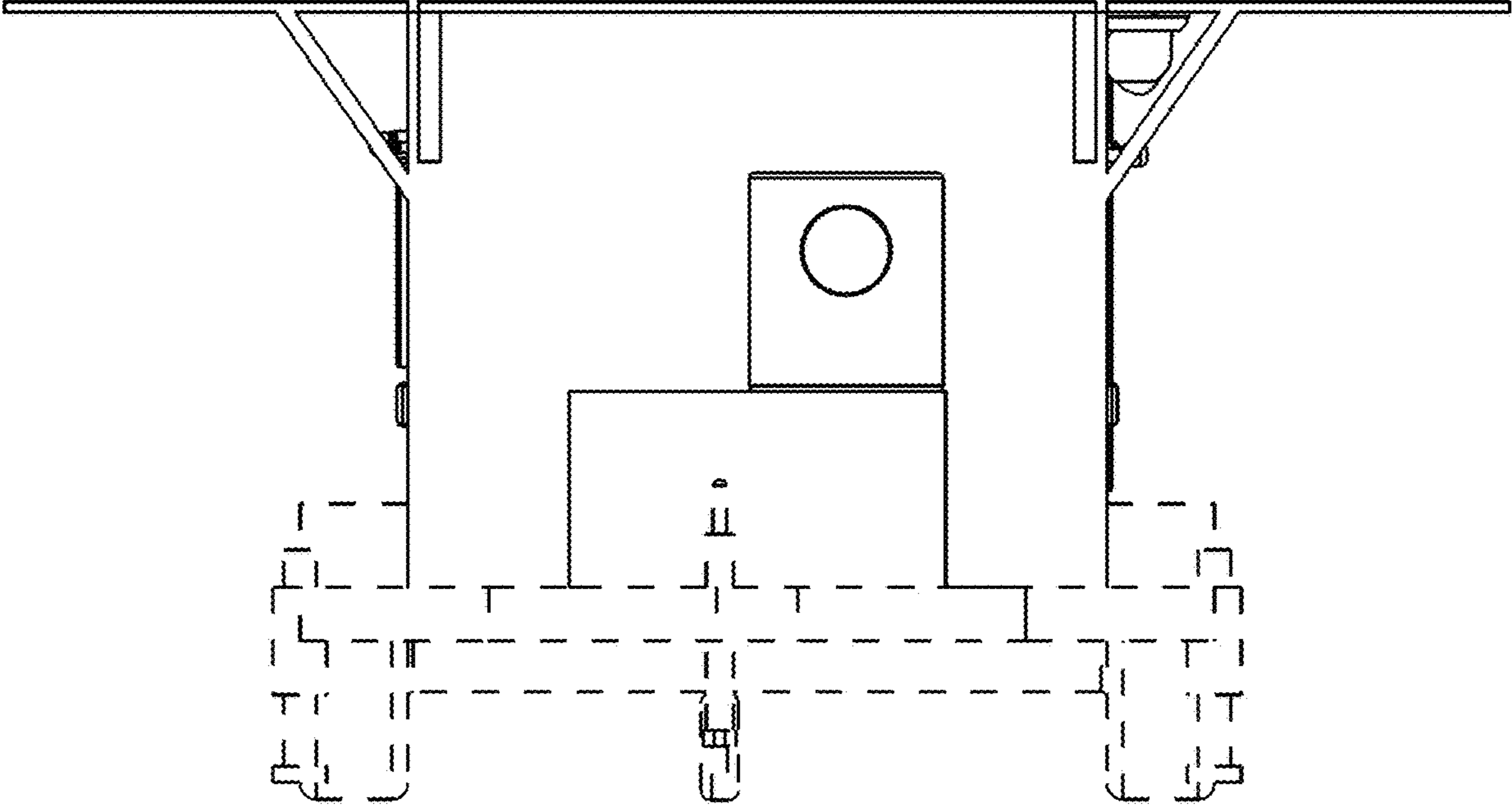
DESCRIPTION

1. Road vehicle trailer
1.1 is a front elevation view of a road vehicle trailer embodying my new design;
1.2 is a rear elevation view thereof;
1.3 is a right side elevation view thereof;
1.4 is a left side elevation view thereof;
1.5 is a front and left side perspective view thereof;
1.6 is a rear and right side perspective view thereof; and
1.7 is a top plan view thereof.
The broken line in the reproductions illustrate portions of the road vehicle trailer that form no part of the claimed design.

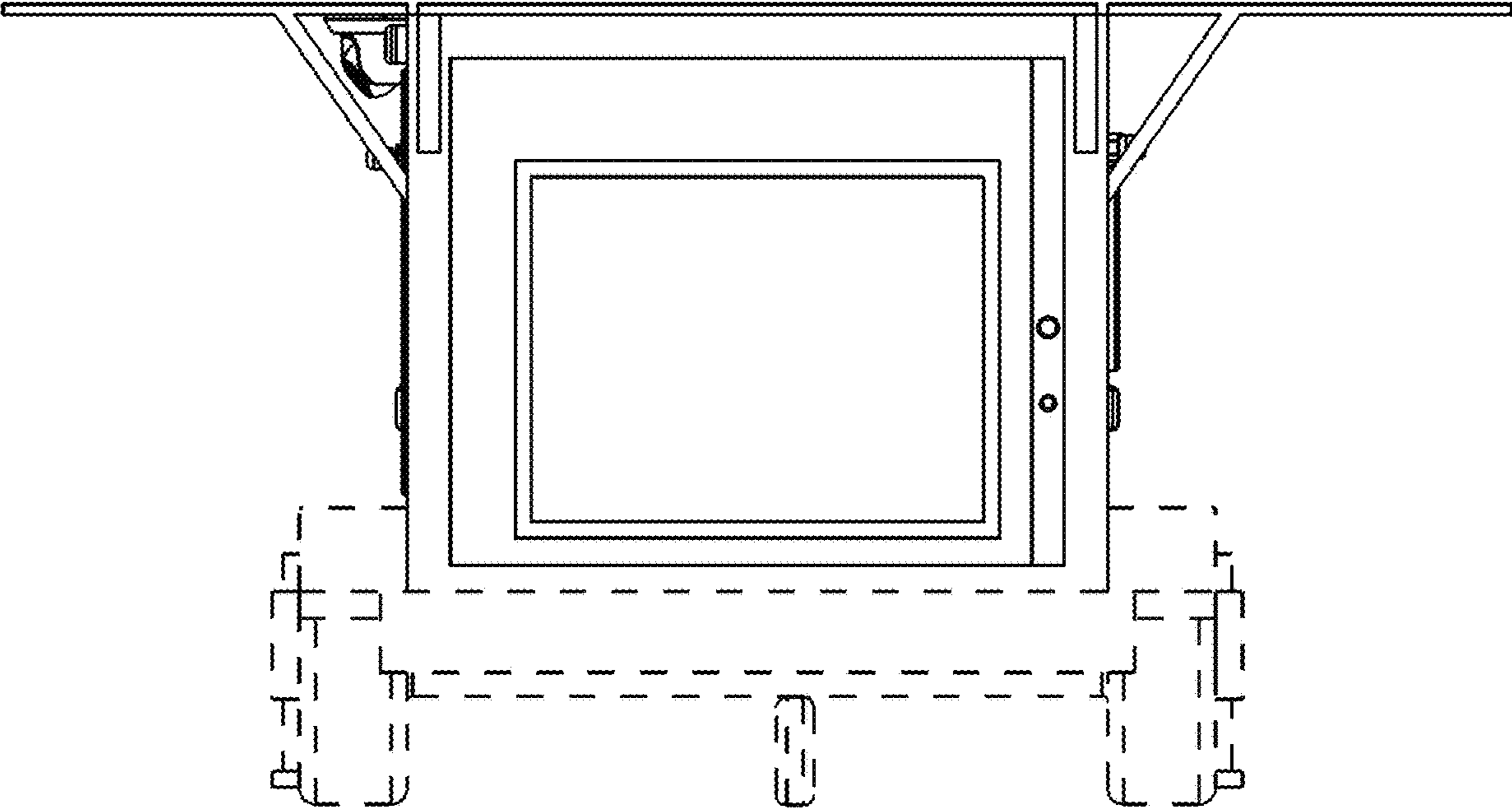
1 Claim, 7 Drawing Sheets



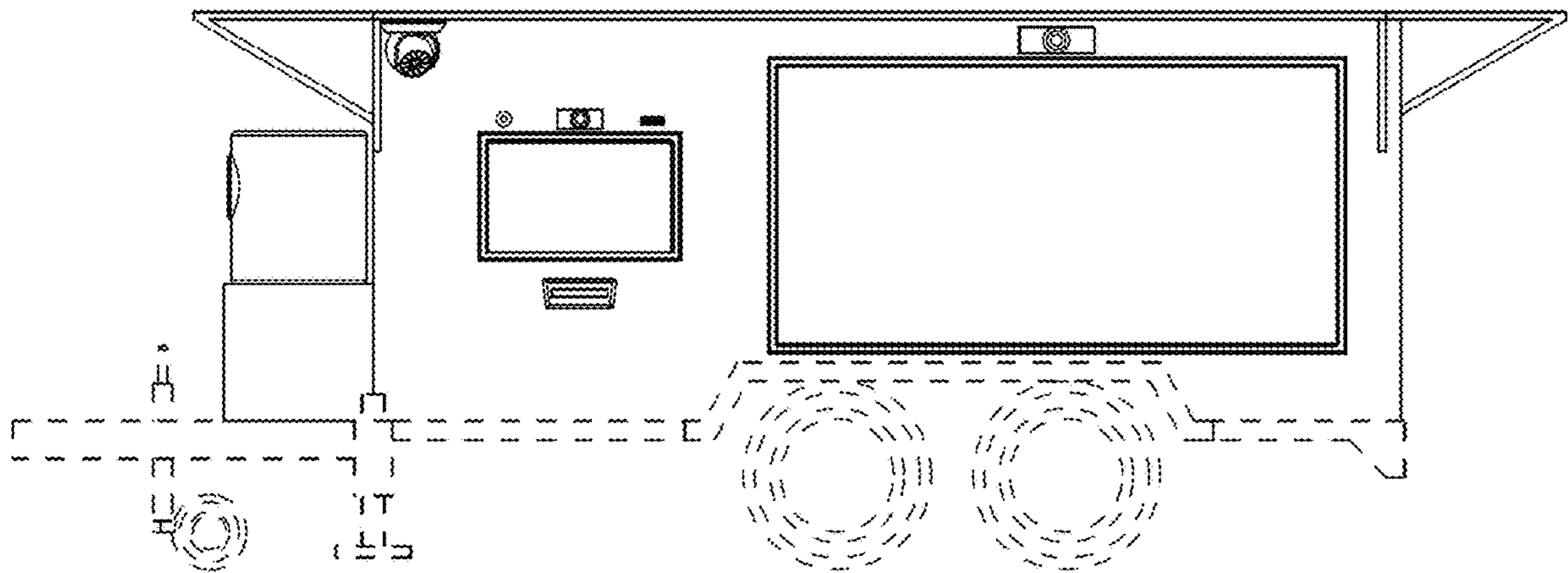
1.1



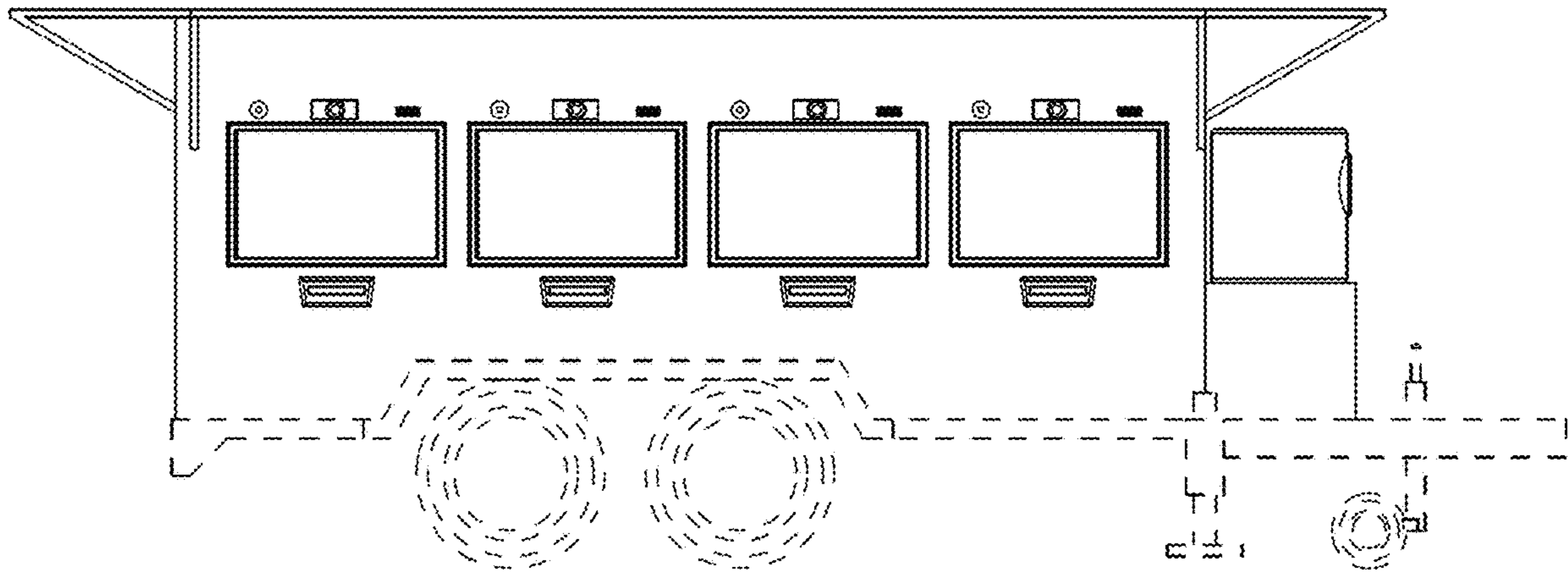
1.2



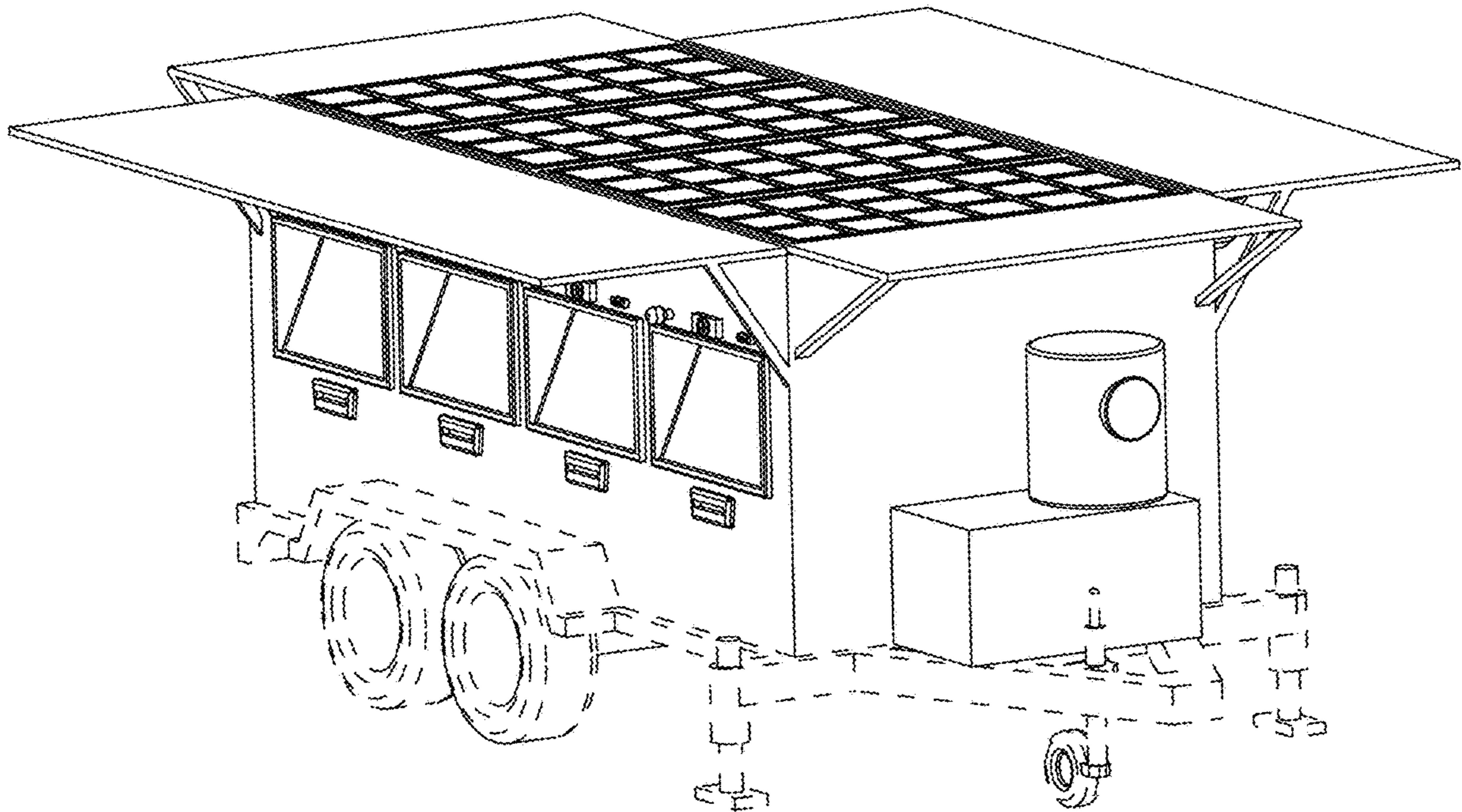
1.3



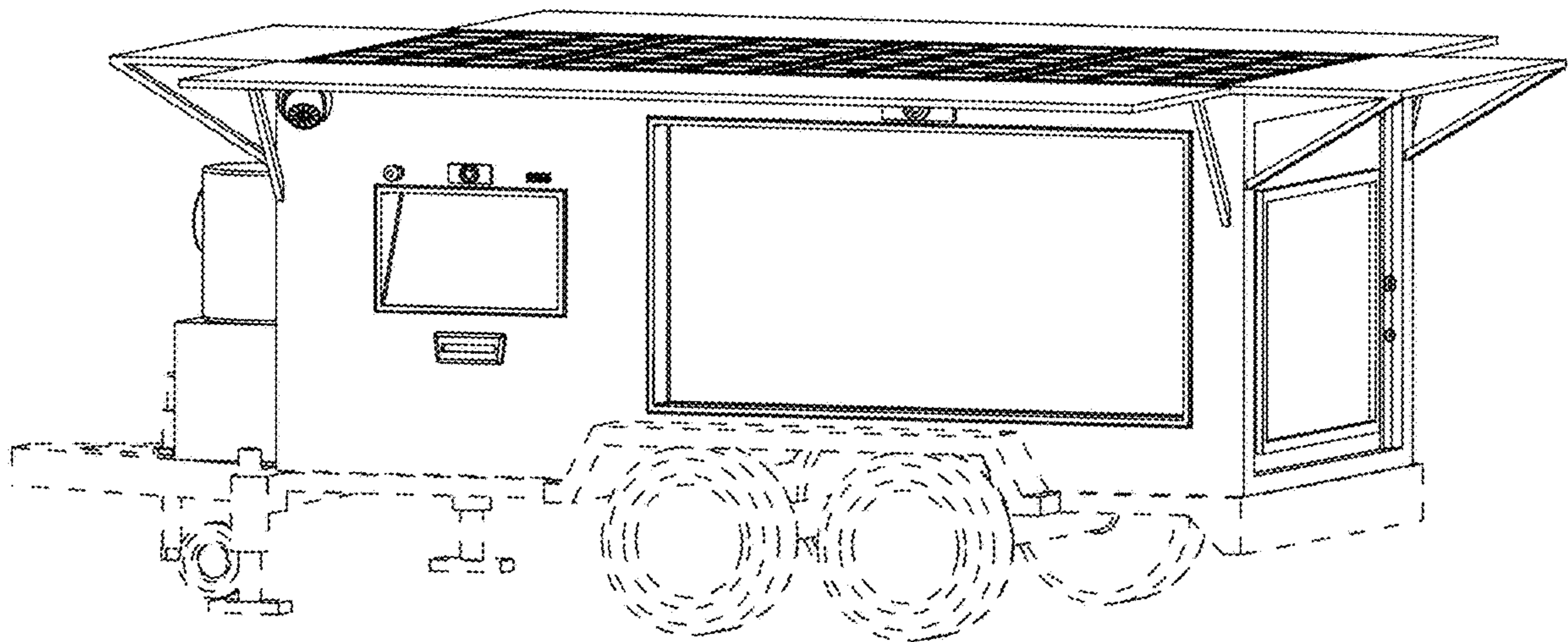
1.4



1.5



1.6



1.7

