



US00D922906S

(12) **United States Design Patent**
Toriyama et al.

(10) **Patent No.:** **US D922,906 S**
(45) **Date of Patent:** **** Jun. 22, 2021**

(54) **VEHICLE BODY AND/OR REPLIC**

(71) Applicant: **HONDA MOTOR CO., LTD.**, Tokyo (JP)

(72) Inventors: **Daisuke Toriyama**, Tokyo (JP);
Catalin Matei, Redondo Beach, CA (US)

(73) Assignee: **HONDA MOTOR CO., LTD.**, Tokyo (JP)

(**) Term: **15 Years**

(21) Appl. No.: **29/689,621**

(22) Filed: **Apr. 30, 2019**

(51) **LOC (13) Cl.** **12-08**

(52) **U.S. Cl.**
USPC **D12/91**

(58) **Field of Classification Search**
USPC D12/86, 90-92, 88, 164; D21/424, 433,
D21/434; 296/181.1-181.5, 183.1
CPC B62D 25/00; B62D 25/06; B62D 33/00;
B62D 35/00
See application file for complete search history.

(56) **References Cited**

U.S. PATENT DOCUMENTS

D686,949 S *	7/2013	Minami	D12/91
D705,700 S *	5/2014	Chen	D12/91
D711,785 S *	8/2014	Tabata	D12/92
D713,764 S *	9/2014	Ferlazzo	D12/92
D719,875 S *	12/2014	Jang	D12/91
D759,540 S *	6/2016	Davidson	D12/91
D761,693 S *	7/2016	Lian	D12/91
D762,527 S *	8/2016	Willing	D12/92
D763,136 S *	8/2016	Minami	D12/92
D763,736 S *	8/2016	Varga	D12/92

D766,778 S *	9/2016	Lian	D12/91
D767,448 S *	9/2016	Leu	D12/92
D773,960 S *	12/2016	Jeon	D12/92
D781,185 S *	3/2017	Ham	D12/92
D804,996 S *	12/2017	Sahara	D12/91
D807,227 S *	1/2018	Chen	D12/91
D808,303 S *	1/2018	Chung	D12/92
D808,304 S *	1/2018	Chung	D12/92
D820,160 S *	6/2018	Smock	D12/91
D821,271 S *	6/2018	Minami	D12/163
D823,165 S *	7/2018	Chung	D12/91
D834,467 S *	11/2018	Kanai	D12/163
D847,694 S *	5/2019	Smock	D12/91
D867,214 S *	11/2019	Kato	D12/92

* cited by examiner

Primary Examiner — Melody N Brown

(74) *Attorney, Agent, or Firm* — Arent Fox LLP

(57) **CLAIM**

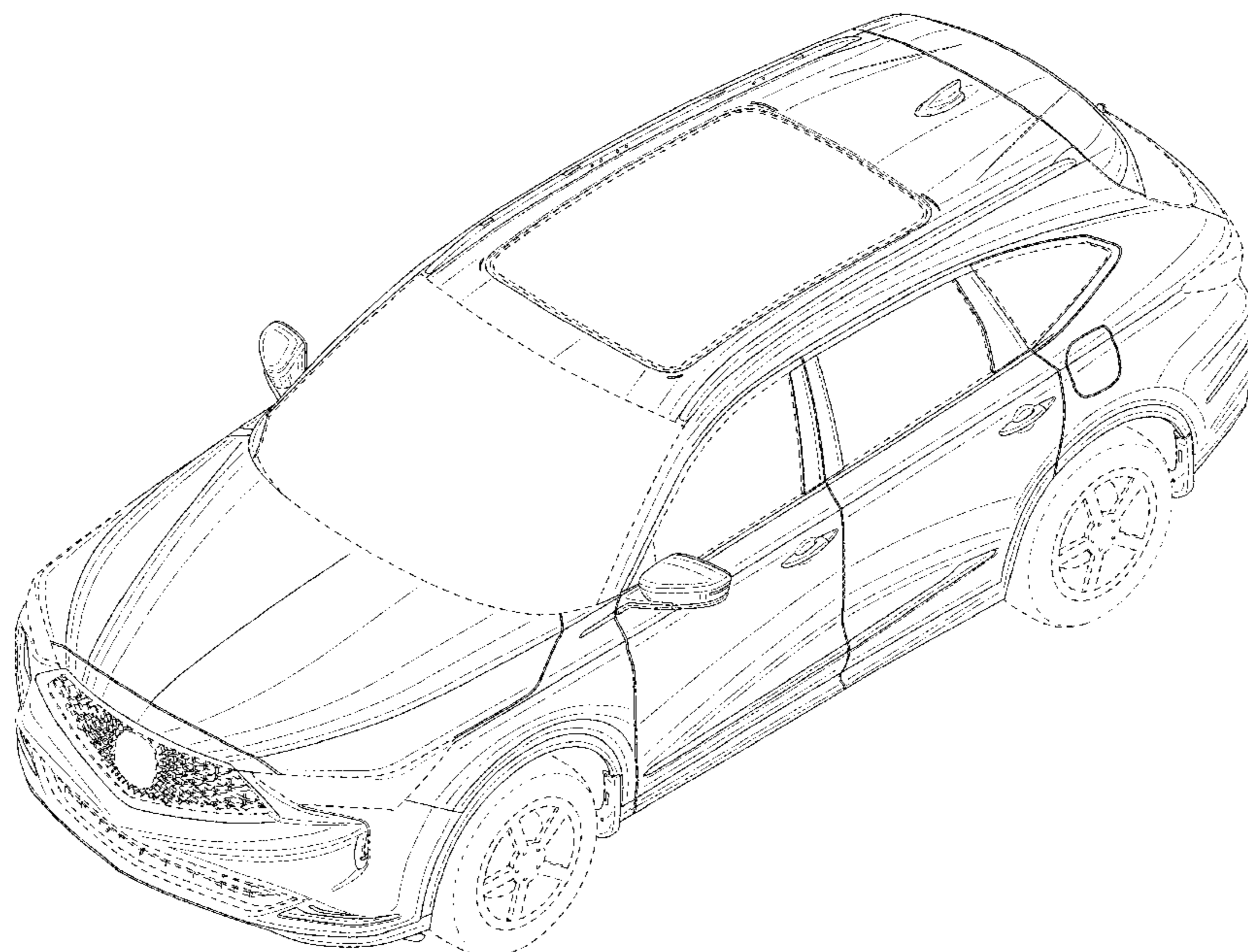
The ornamental design for a vehicle body and/or replica, as shown and described.

DESCRIPTION

FIG. 1 is a left, front perspective view of a vehicle body and/or replica showing my new design;
FIG. 2 is a right, front perspective view thereof;
FIG. 3 is a left, rear perspective view thereof;
FIG. 4 is a right, rear perspective view thereof;
FIG. 5 is a front elevational view thereof;
FIG. 6 is a rear elevational view thereof;
FIG. 7 is a left side elevational view thereof;
FIG. 9 is a top plan view thereof; and,
FIG. 10 is a bottom plan view thereof.

The portions of the vehicle shown in broken lines are for environmental and illustrative purposes that form no part of the claimed design.

1 Claim, 10 Drawing Sheets



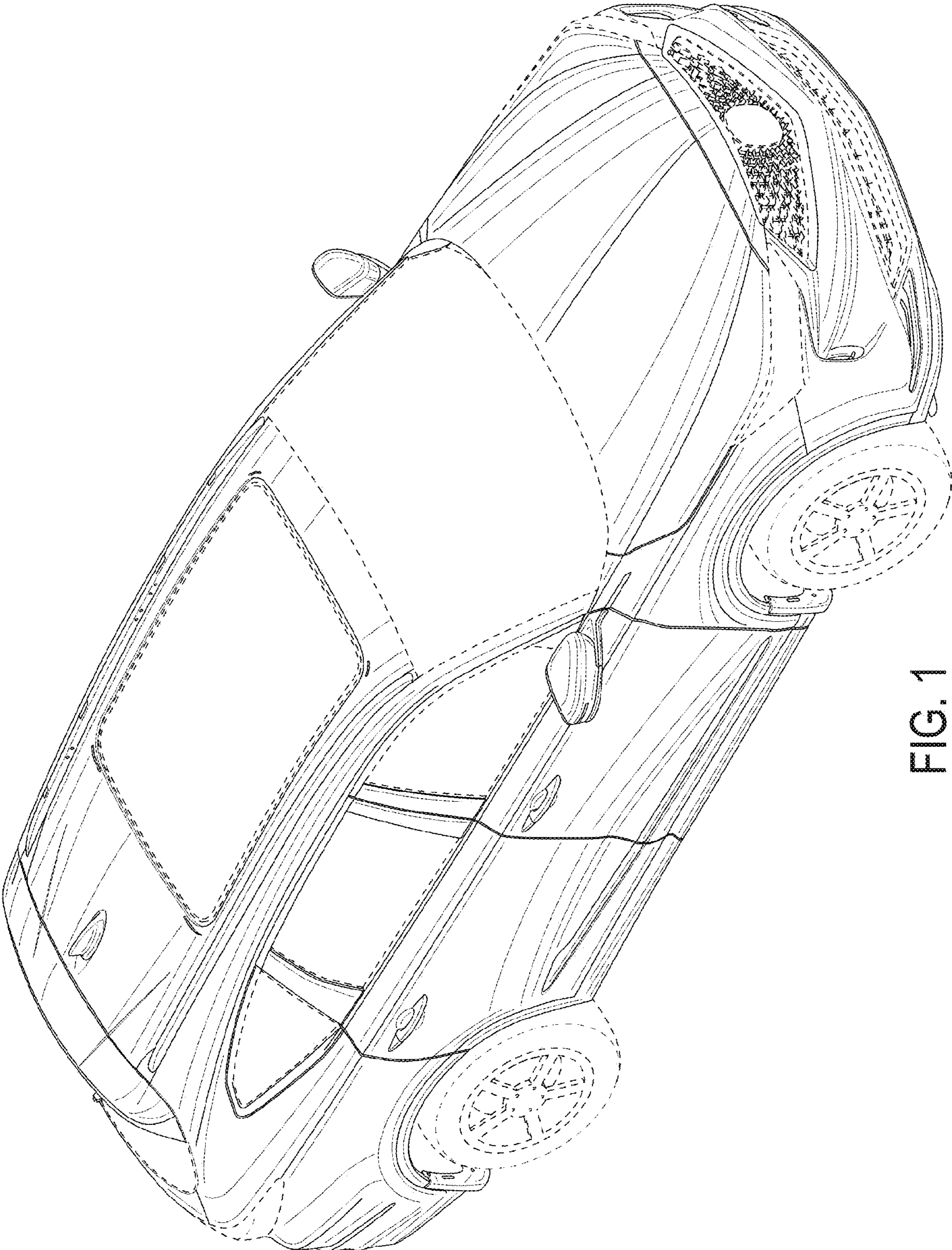


FIG. 1

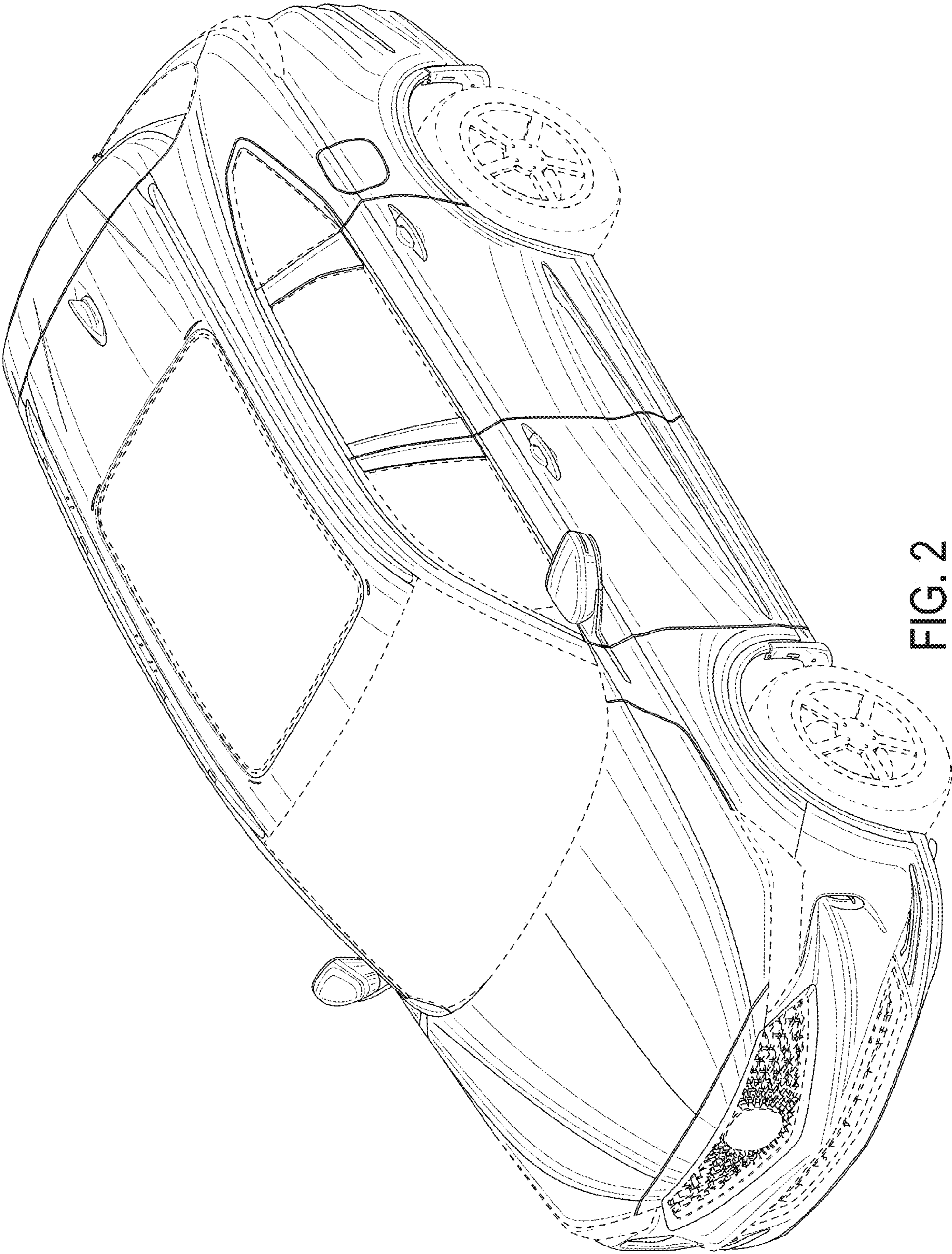


FIG. 2

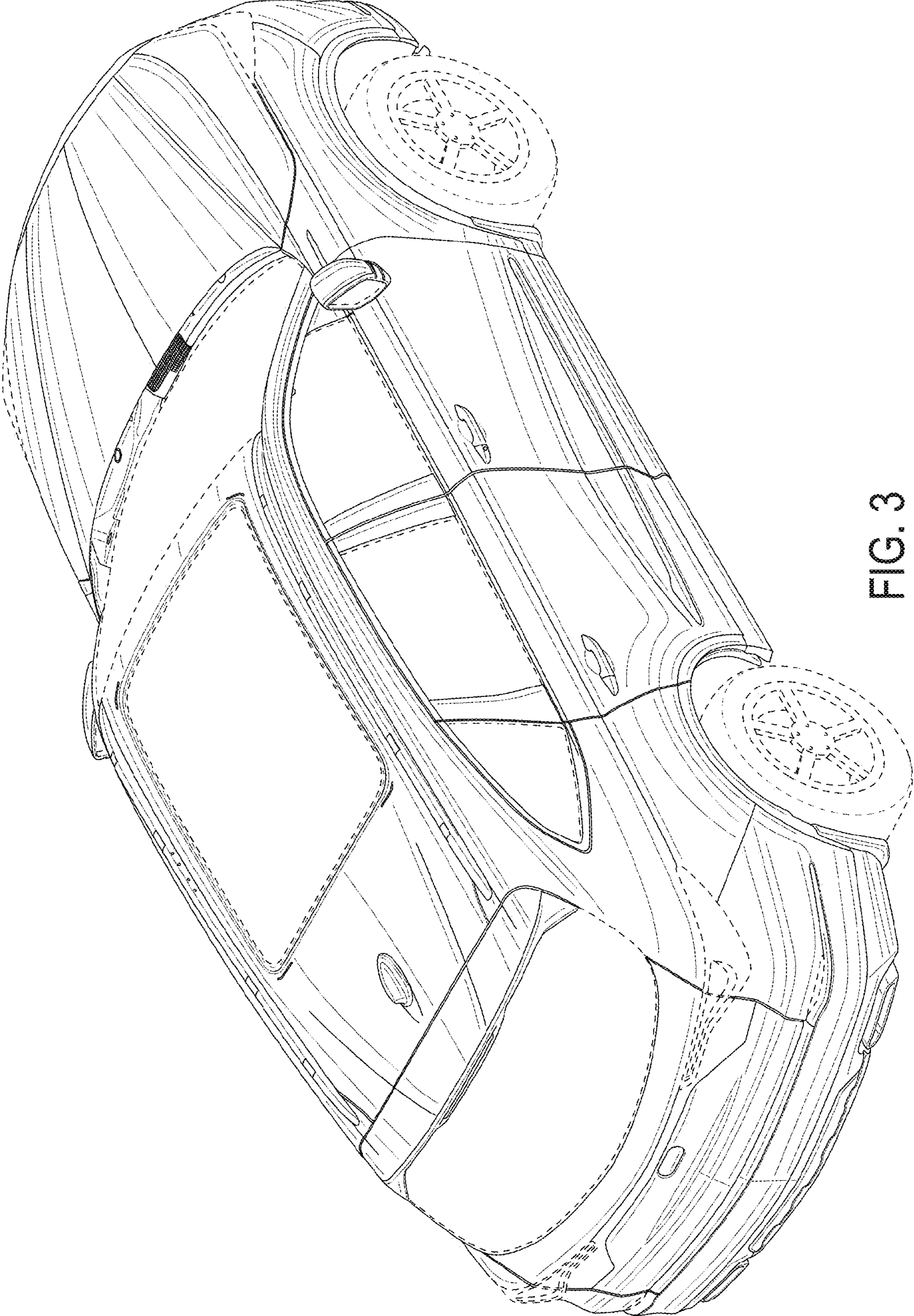


FIG. 3

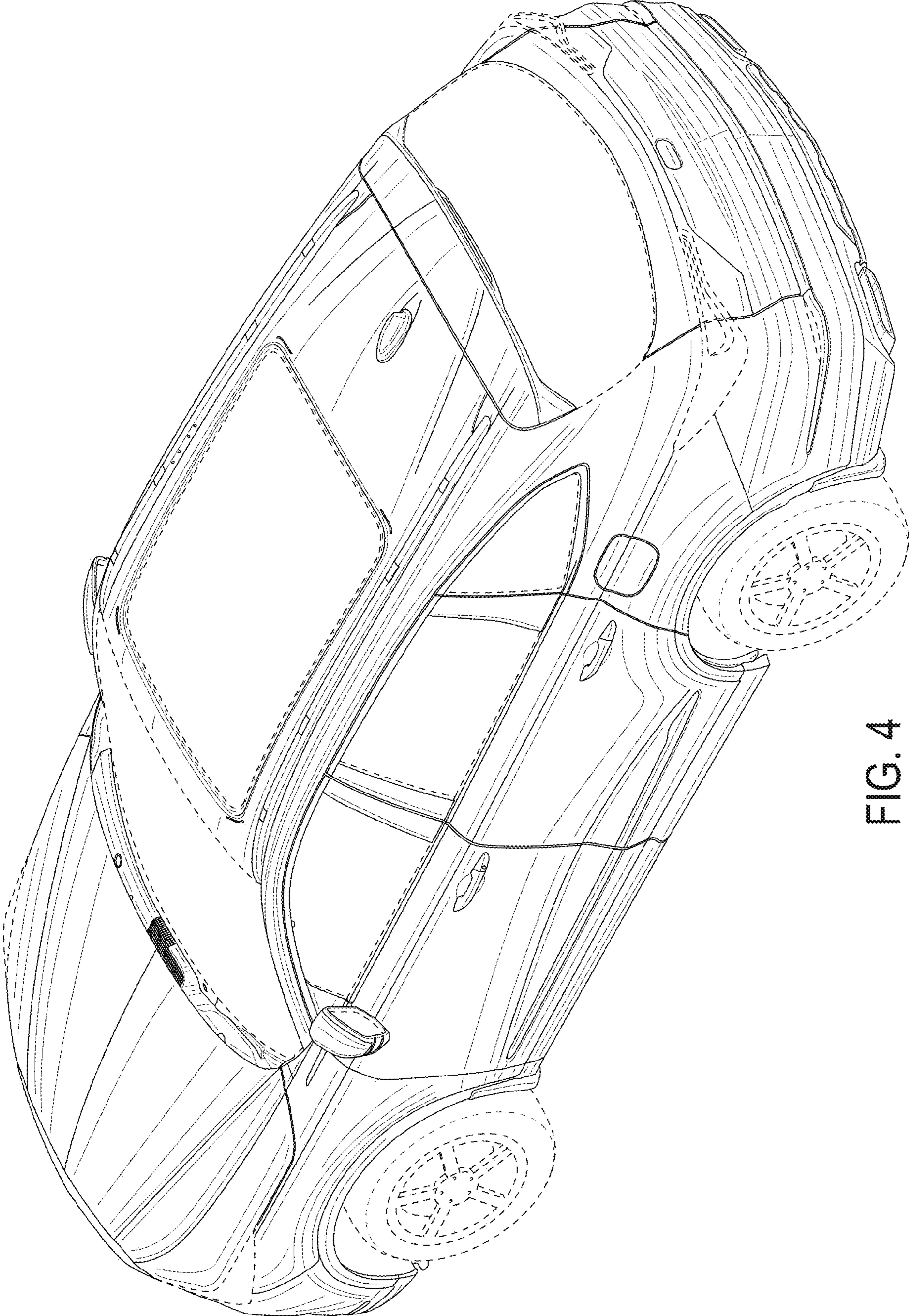


FIG. 4

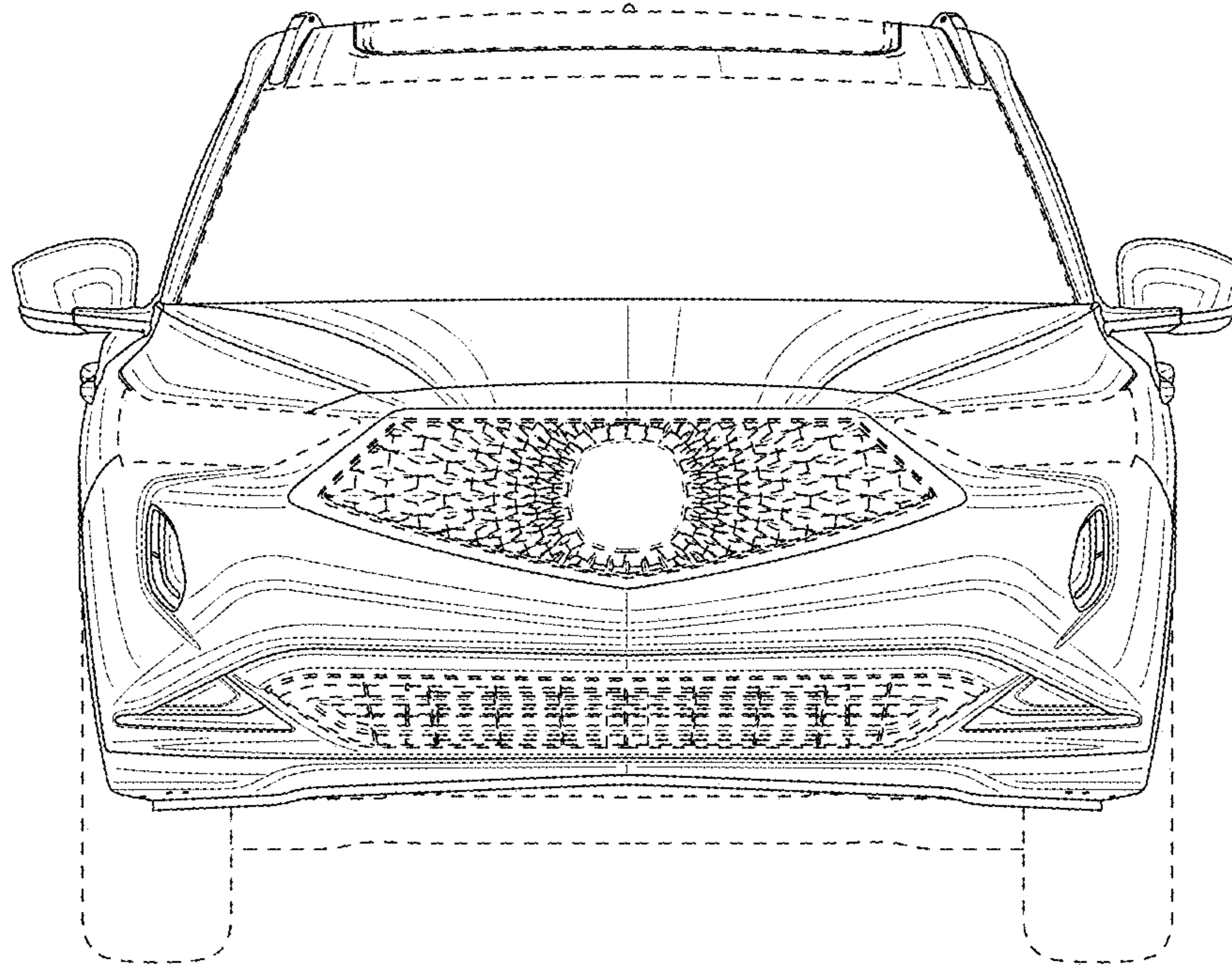


FIG. 5

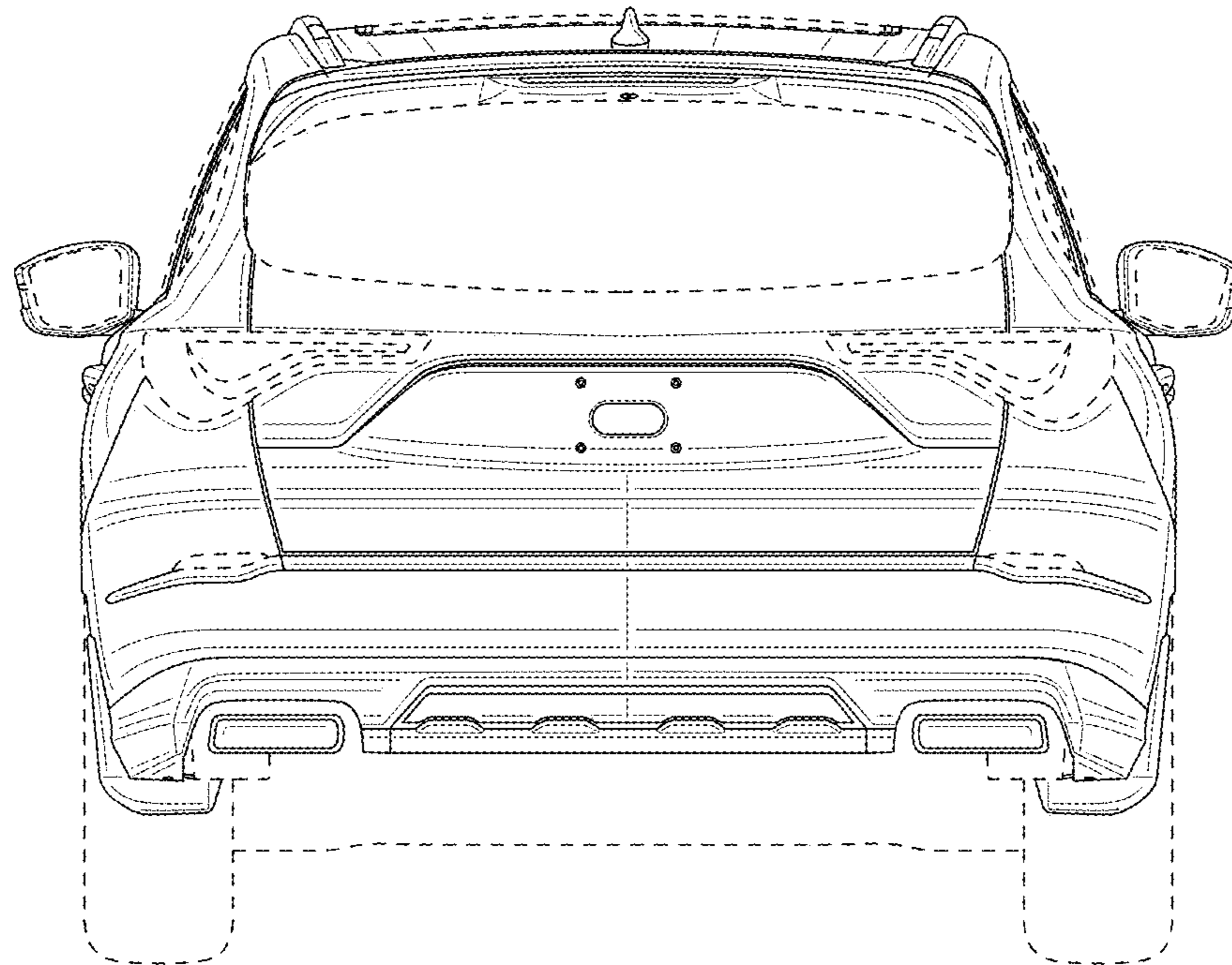


FIG. 6

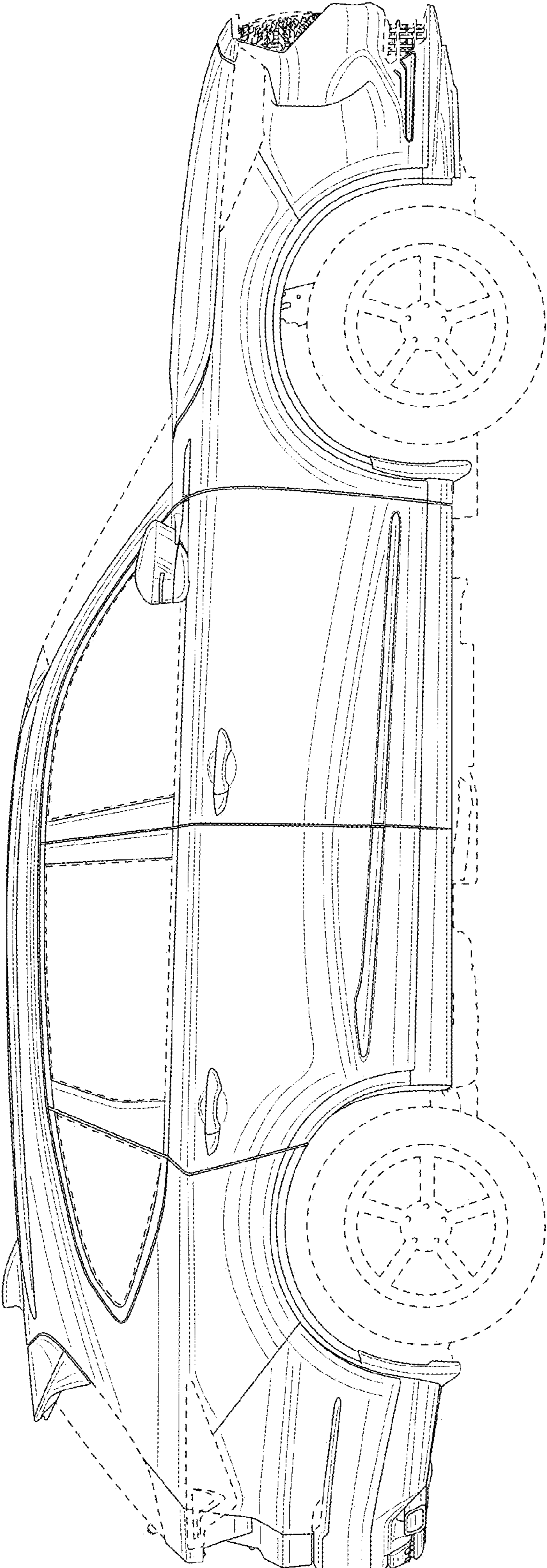


FIG. 7

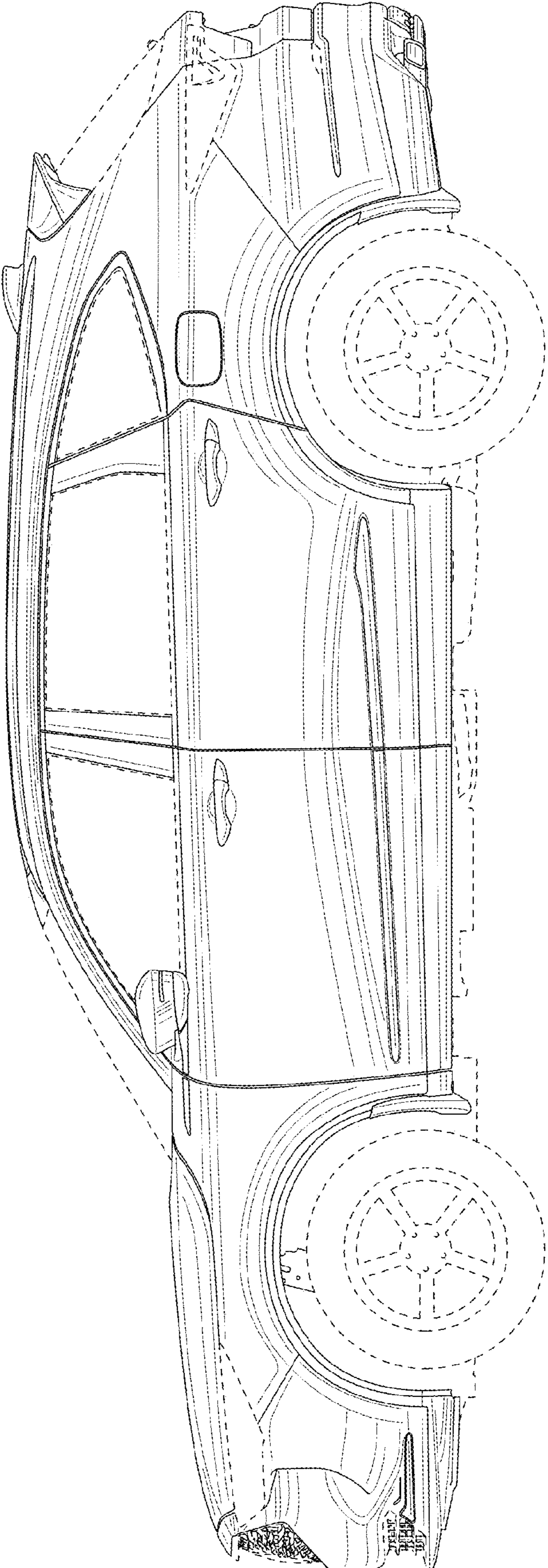


FIG. 8

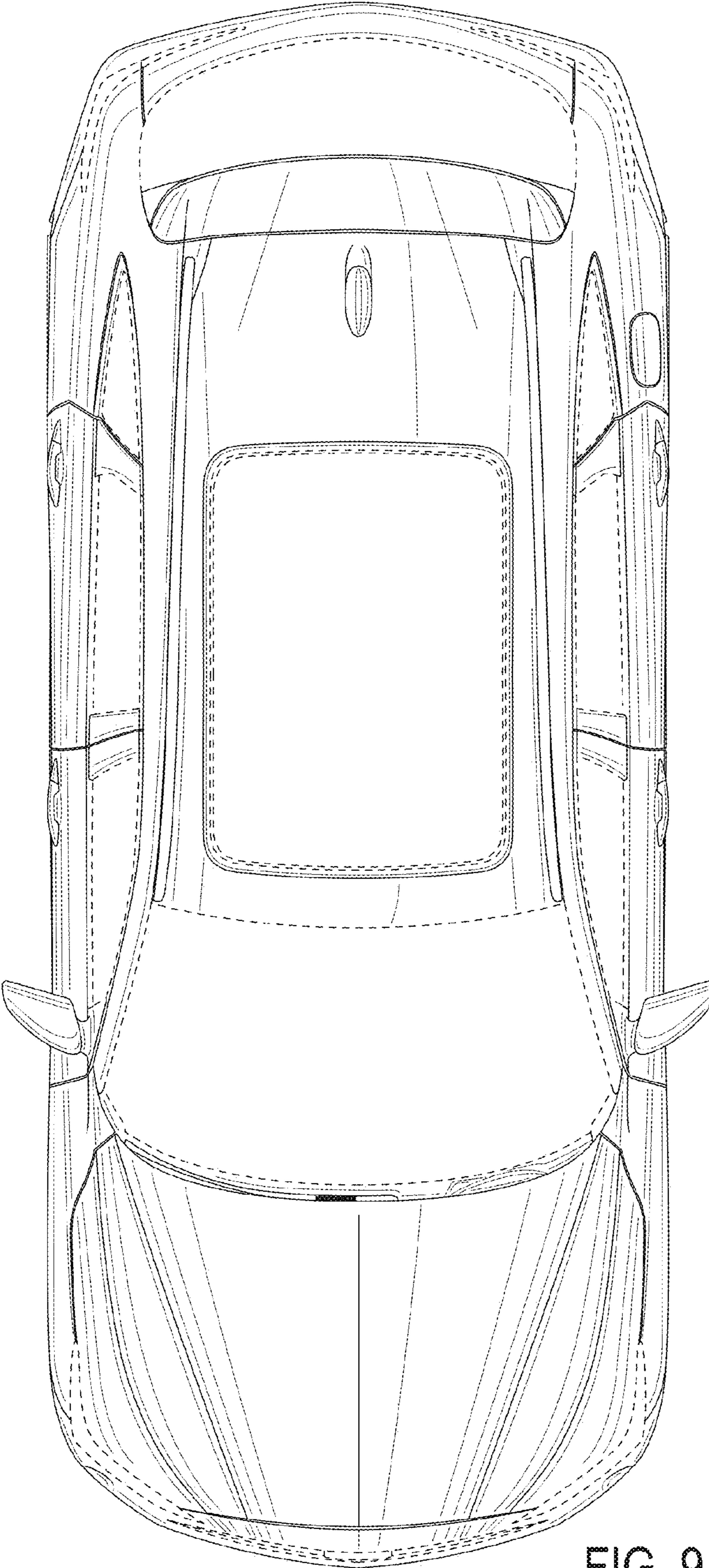


FIG. 9

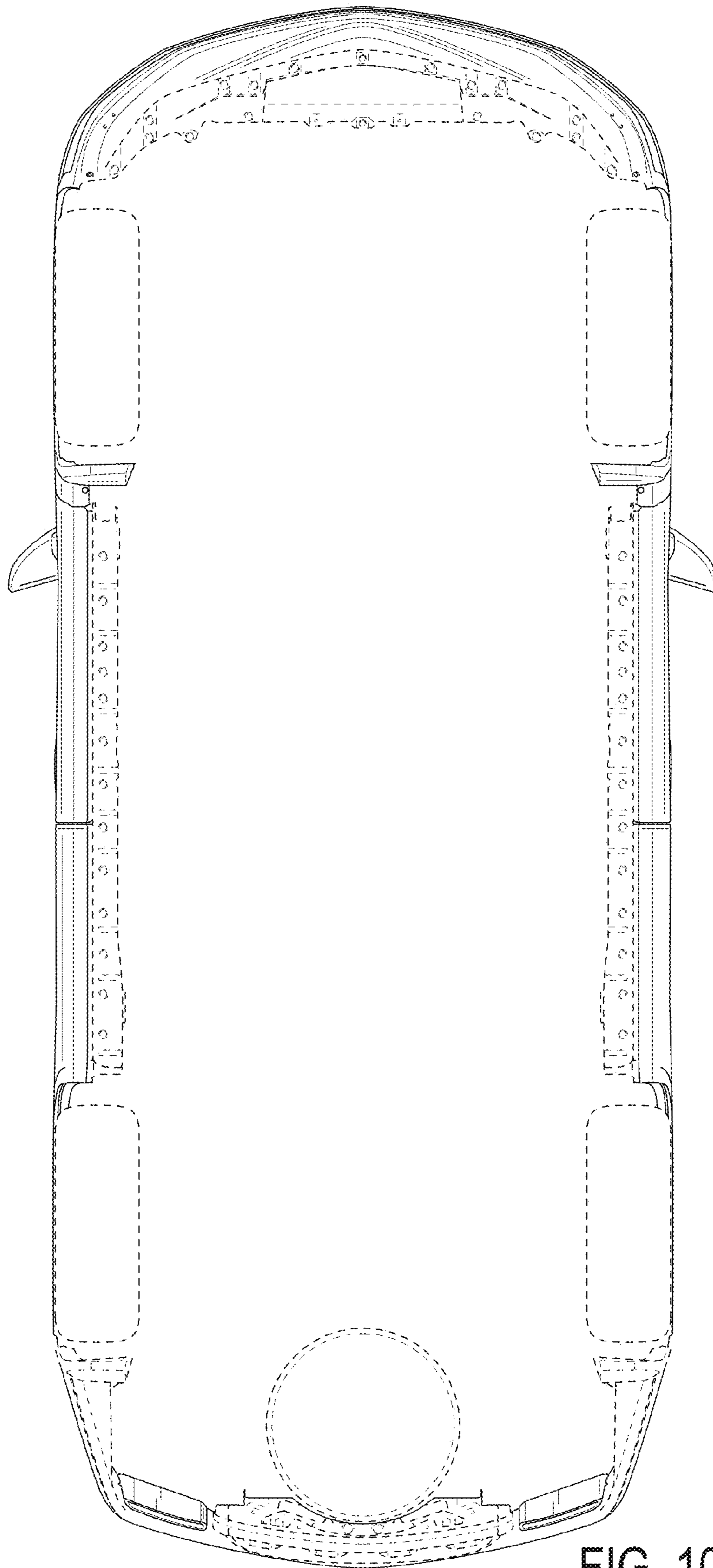


FIG. 10