



US00D922898S

(12) **United States Design Patent** (10) **Patent No.:** **US D922,898 S**
Silvestri (45) **Date of Patent:** **** Jun. 22, 2021**

(54) **RING**
(71) Applicant: **Bulgari S.p.A.**, Rome (IT)
(72) Inventor: **Lucia Silvestri**, Rome (IT)
(73) Assignee: **BULGARI S.P.A.**, Rome (IT)
(**) Term: **15 Years**

D508,217 S * 8/2005 Graves D11/81
D840,861 S * 2/2019 Lopez Montoya D11/5
D846,425 S * 4/2019 Lopez Montoya D11/81
D846,426 S * 4/2019 Lopez Montoya D11/81
D877,640 S * 3/2020 Silvestri D11/14
D878,954 S * 3/2020 Gurung D11/26
D882,448 S * 4/2020 Gurung D11/26
2005/0083676 A1* 4/2005 VanderSchuit A61J 17/1012
362/84

(21) Appl. No.: **29/659,864**
(22) Filed: **Aug. 13, 2018**
(30) **Foreign Application Priority Data**

Feb. 13, 2018 (WO) 6361801
(51) **LOC (13) Cl.** **11-01**
(52) **U.S. Cl.**
USPC **D11/30; D11/28**
(58) **Field of Classification Search**
USPC D11/1-4, 26-39, 56, 91, 92
CPC A44C 9/00; A44C 9/0007; A44C 9/0015;
A44C 9/0023; A44C 9/003; A44C
9/0038; A44C 9/0046; A44C 9/0053;
A44C 9/0061; A44C 9/0069; A44C
9/0076; A44C 9/0092; A44C 9/02; A44C
17/02; A44C 17/0208; A44C 17/0216;
A44C 17/0225; A44C 17/0258; A44C
17/0266; A44C 17/0275; A44C 17/0283;
A44C 17/0291

See application file for complete search history.

(56) **References Cited**
U.S. PATENT DOCUMENTS

D375,609 S * 11/1996 Rossi D1/102
D445,715 S * 7/2001 Haquet D11/5

OTHER PUBLICATIONS

[Online] "Brooch Festa" <https://www.bulgari.cn/en-cn/262909-e.html>. Retrieved Feb. 12, 2021.*
[Online] "Bulgari shows off its fun-loving side with a new colourful collection" <https://www.buro247.sg/watches-and-jewellery/news/bulgari-bulgari-new-jewellery-colourful-gelati.html?gallery=7125&slide=4>. Posted online Apr. 4, 2018. Retrieved Feb. 12, 2021.*

* cited by examiner

Primary Examiner — Melanie Pellegrini
(74) *Attorney, Agent, or Firm* — Peter A. Sullivan;
Stephen J. Kenny; Foley Hoag LLP

(57) **CLAIM**

The ornamental design for a ring, as shown and described.

DESCRIPTION

FIG. 1 is a front view of the ring showing my new design.
FIG. 2 is a back view thereof.
FIG. 3 is a perspective view thereof.
FIG. 4 is a right view thereof.
FIG. 5 is a left view thereof.
FIG. 6 is a bottom view thereof; and,
FIG. 7 is a top view thereof.

1 Claim, 7 Drawing Sheets

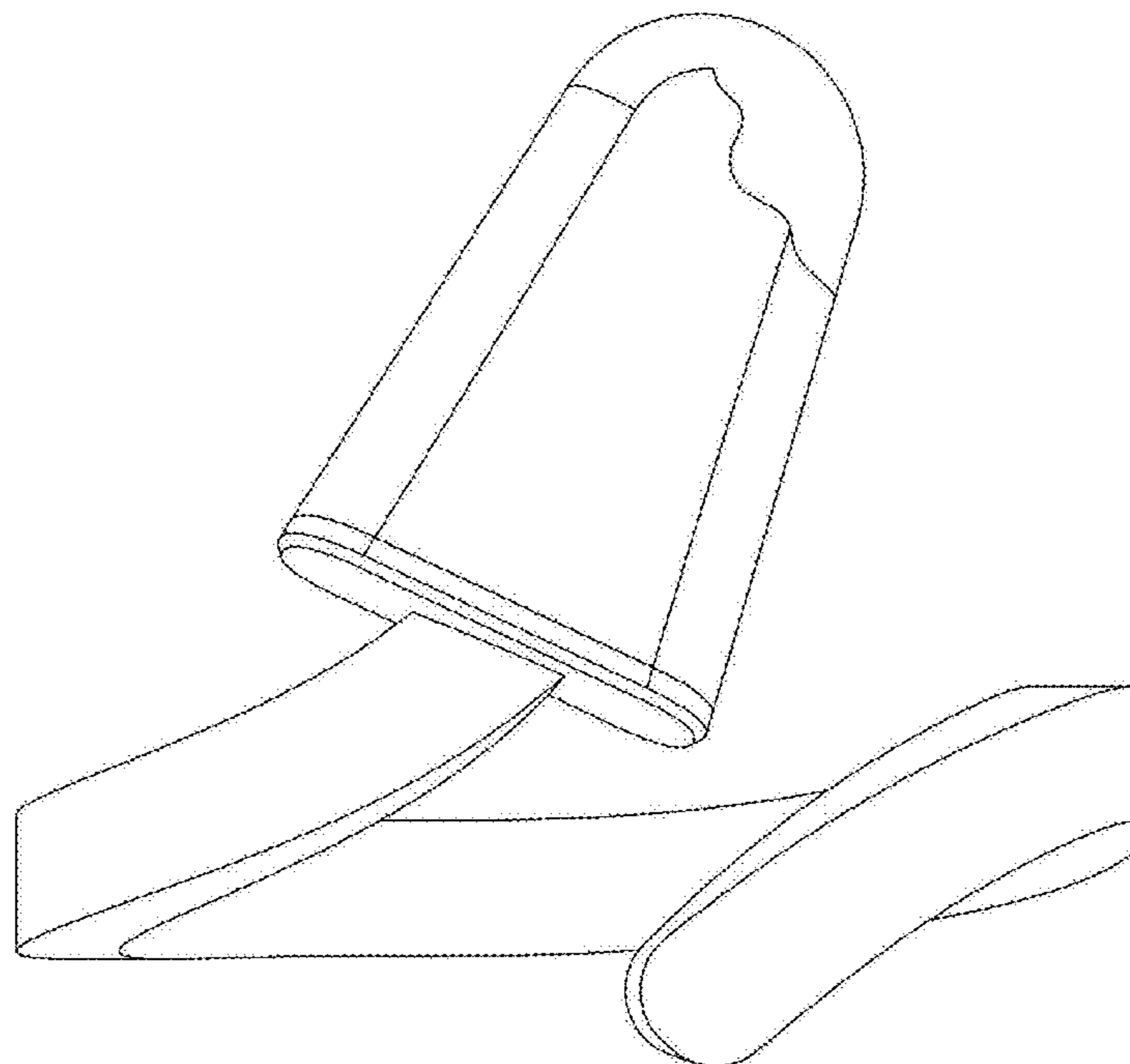


FIG. 1

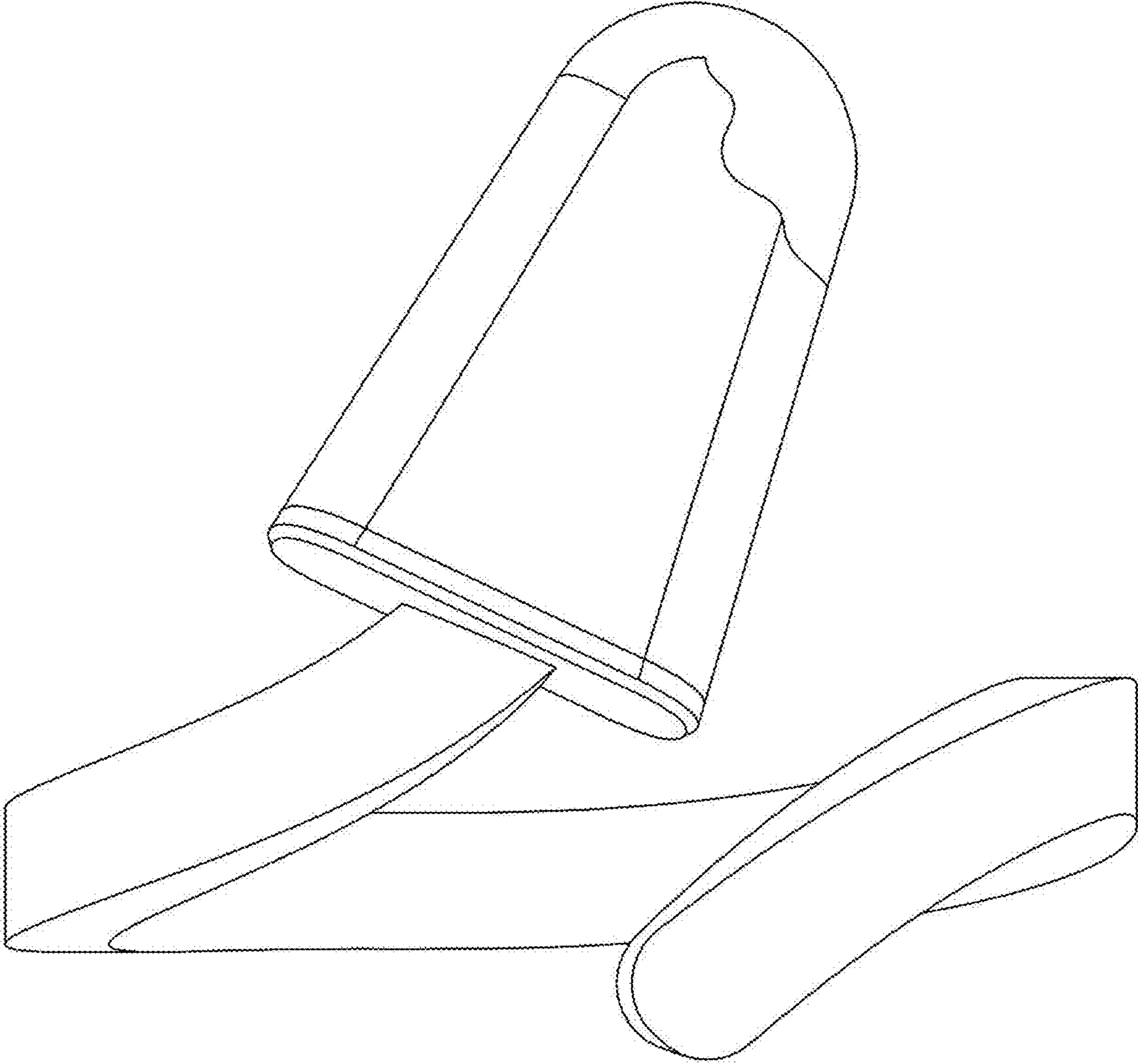


FIG. 2

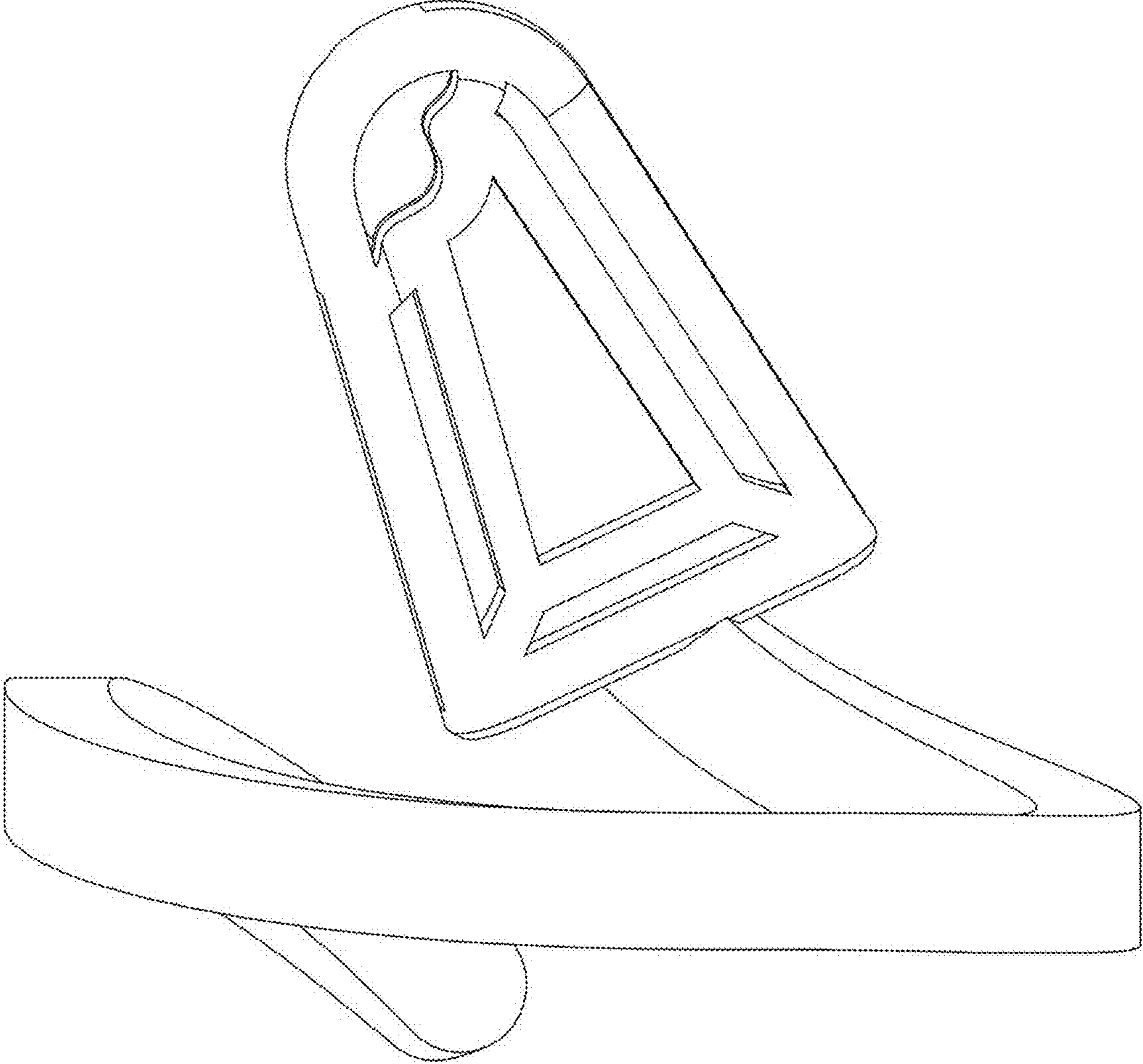


FIG. 3

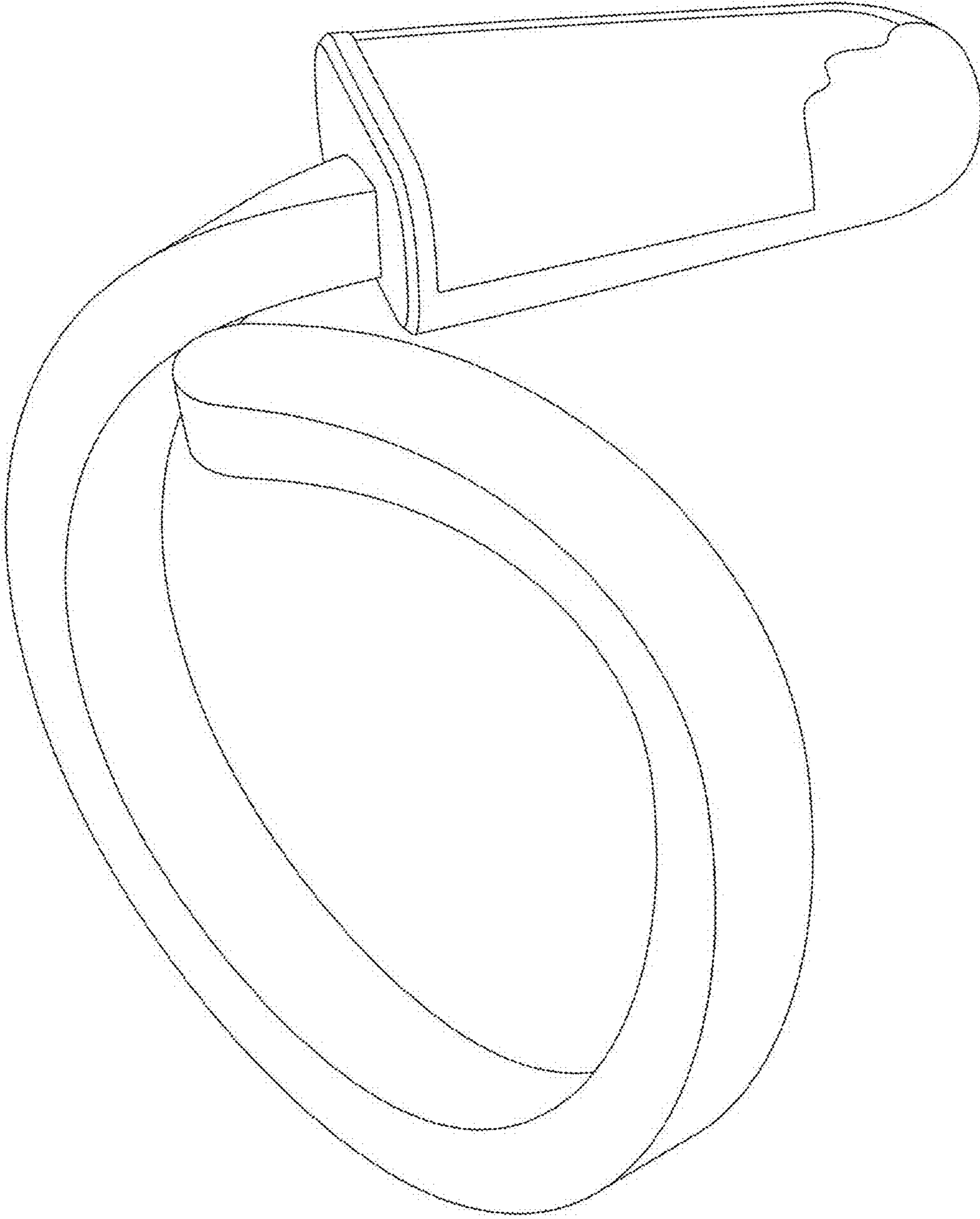


FIG. 4

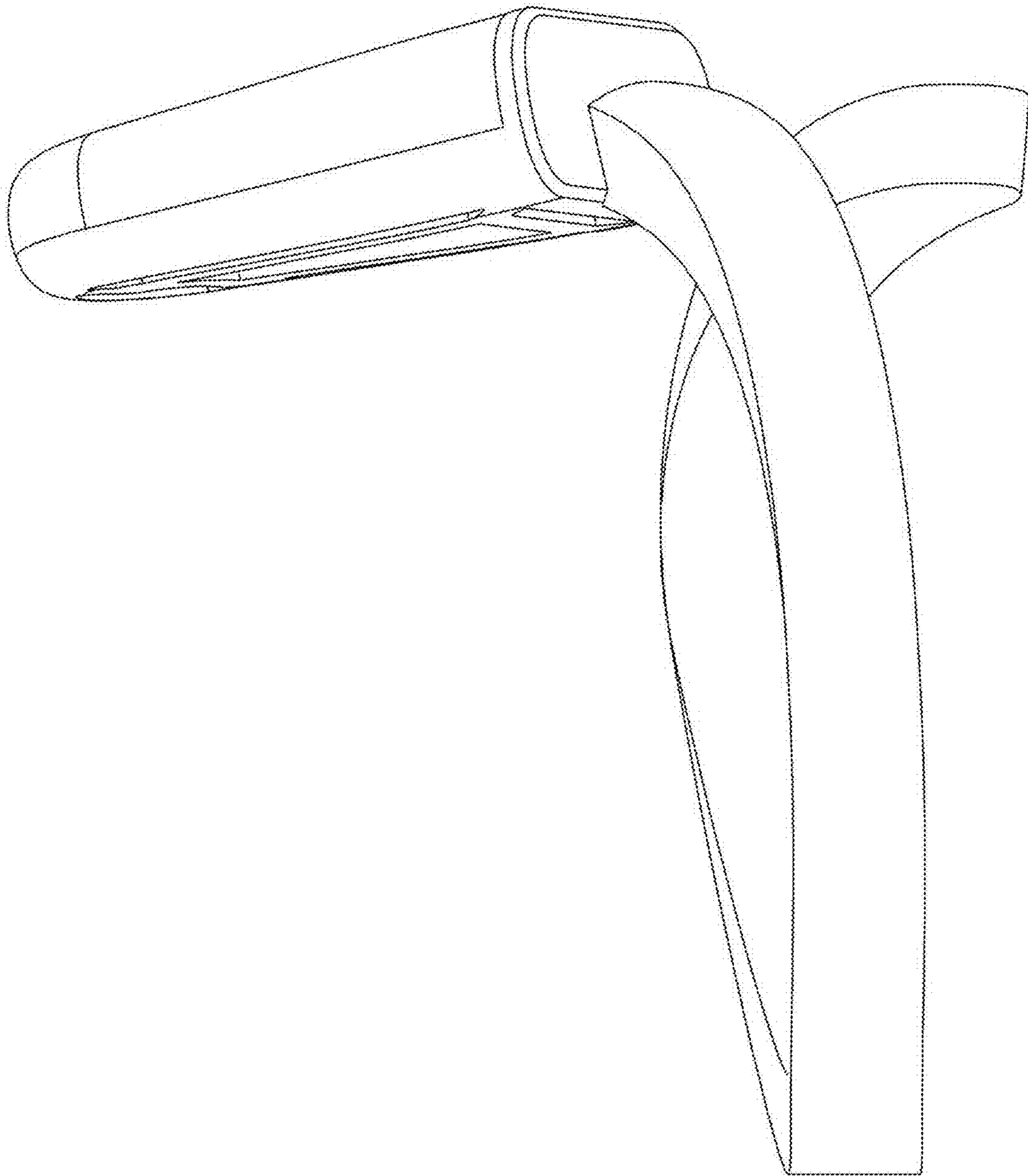


FIG. 5

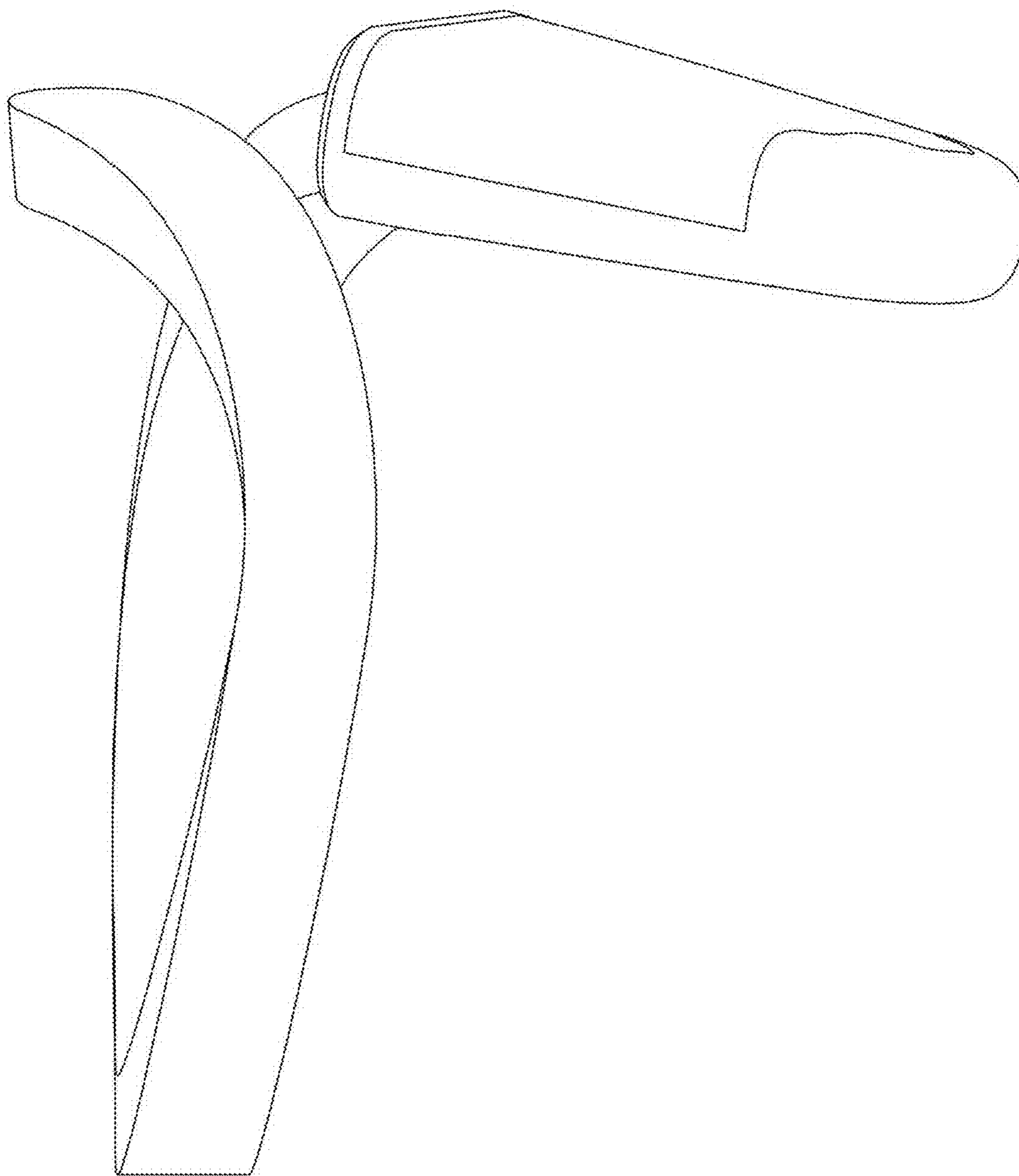


FIG. 6

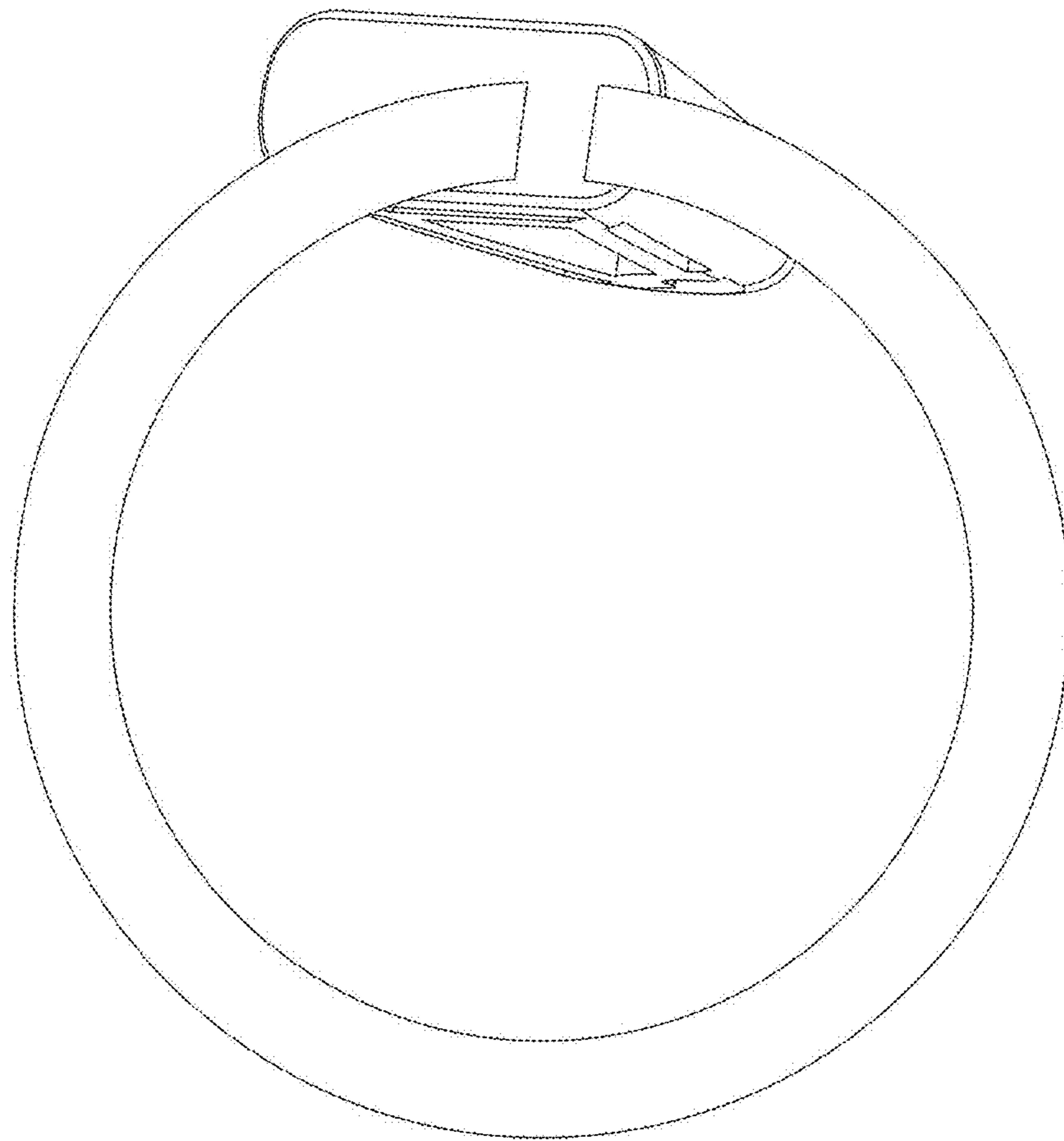


FIG. 7

