



US00D922897S

(12) **United States Design Patent**
Sivriere

(10) **Patent No.:** **US D922,897 S**

(45) **Date of Patent:** **** Jun. 22, 2021**

(54) **RING**

(71) Applicant: **Richemont International SA,**
Villars-sur-Glâne (CH)

(72) Inventor: **Stephanie Sivriere,** Plan-les-Ouates
(CH)

(73) Assignee: **Richemont International SA,**
Villars-sur-Glâne (CH)

(**) Term: **15 Years**

(21) Appl. No.: **29/648,359**

(22) Filed: **May 21, 2018**

(30) **Foreign Application Priority Data**

Nov. 22, 2017 (WO) DM/098671

(51) **LOC (13) Cl.** **11-01**

(52) **U.S. Cl.**
USPC **D11/28; D11/34**

(58) **Field of Classification Search**

USPC D11/1-6, 16, 26-39, 91, 92

CPC A44C 9/00; A44C 9/0007; A44C 9/0015;

A44C 9/0023; A44C 9/003; A44C

9/0038; A44C 9/0046; A44C 9/0053;

A44C 9/0061; A44C 9/0069; A44C

9/0076; A44C 9/0084; A44C 9/0092;

A44C 9/02; A44C 17/02; A44C 17/0208;

A44C 17/0216; A44C 17/0225; A44C

17/0233; A44C 17/0241; A44C 17/025;

A44C 17/0258; A44C 17/0266; A44C

17/0275; A44C 17/0283; A44C 17/0291

See application file for complete search history.

(56) **References Cited**

U.S. PATENT DOCUMENTS

D286,624 S * 11/1986 Bulgari D11/6

D322,944 S * 1/1992 Yurman D11/20

D430,814 S * 9/2000 Lauper D11/26

D439,192 S * 3/2001 Ruscitti D11/26

D808,848 S * 1/2018 Parvex D11/27

D820,141 S * 6/2018 Korhammer D11/4

D872,616 S * 1/2020 Parvex D11/4

D872,617 S * 1/2020 Parvex D11/4

D896,680 S * 9/2020 Sivriere D11/34

D906,861 S * 1/2021 Sivriere D11/40

D908,521 S * 1/2021 Martinez Gonzalez D11/4

OTHER PUBLICATIONS

[Online] "Possession Open Ring" <https://www.piaget.com/jewelry/possession/rose-gold-turquoise-diamond-ring-g34p7d00>. Retrieved Feb. 12, 2021.*

* cited by examiner

Primary Examiner — Melanie Pellegrini

(74) *Attorney, Agent, or Firm* — Taft Stettinius & Hollister LLP

(57) **CLAIM**

The ornamental design for a ring, as shown and described.

DESCRIPTION

FIG. 1 is a front elevational view of a ring showing my new design;

FIG. 2 is a back elevational view thereof;

FIG. 3 is a top plan view thereof;

FIG. 4 is a bottom plan view thereof;

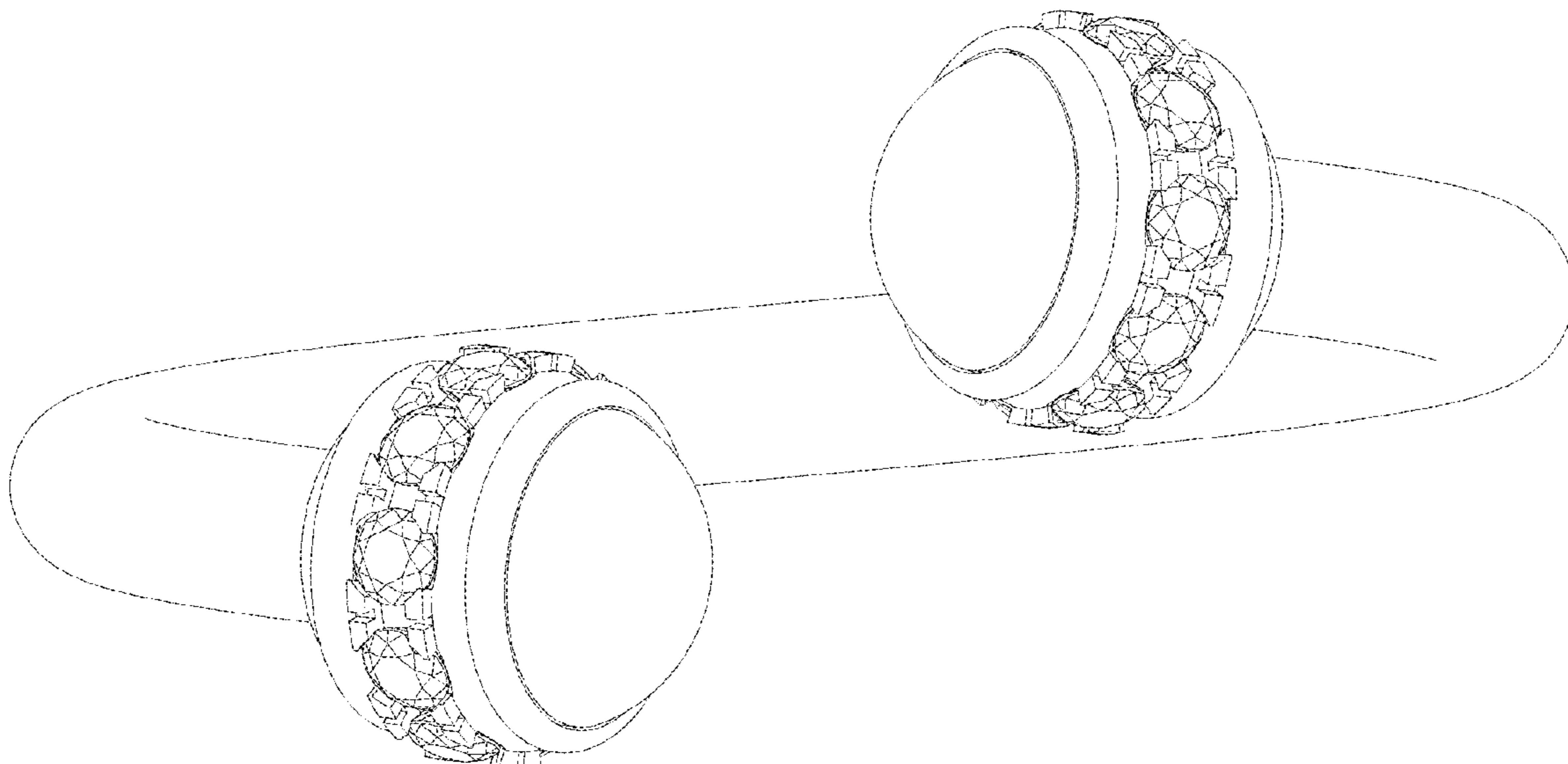
FIG. 5 is a left side elevational view thereof;

FIG. 6 is a right side elevational view thereof;

FIG. 7 is a front, right side perspective view thereof; and,

FIG. 8 is a back, left side perspective view thereof.

1 Claim, 8 Drawing Sheets



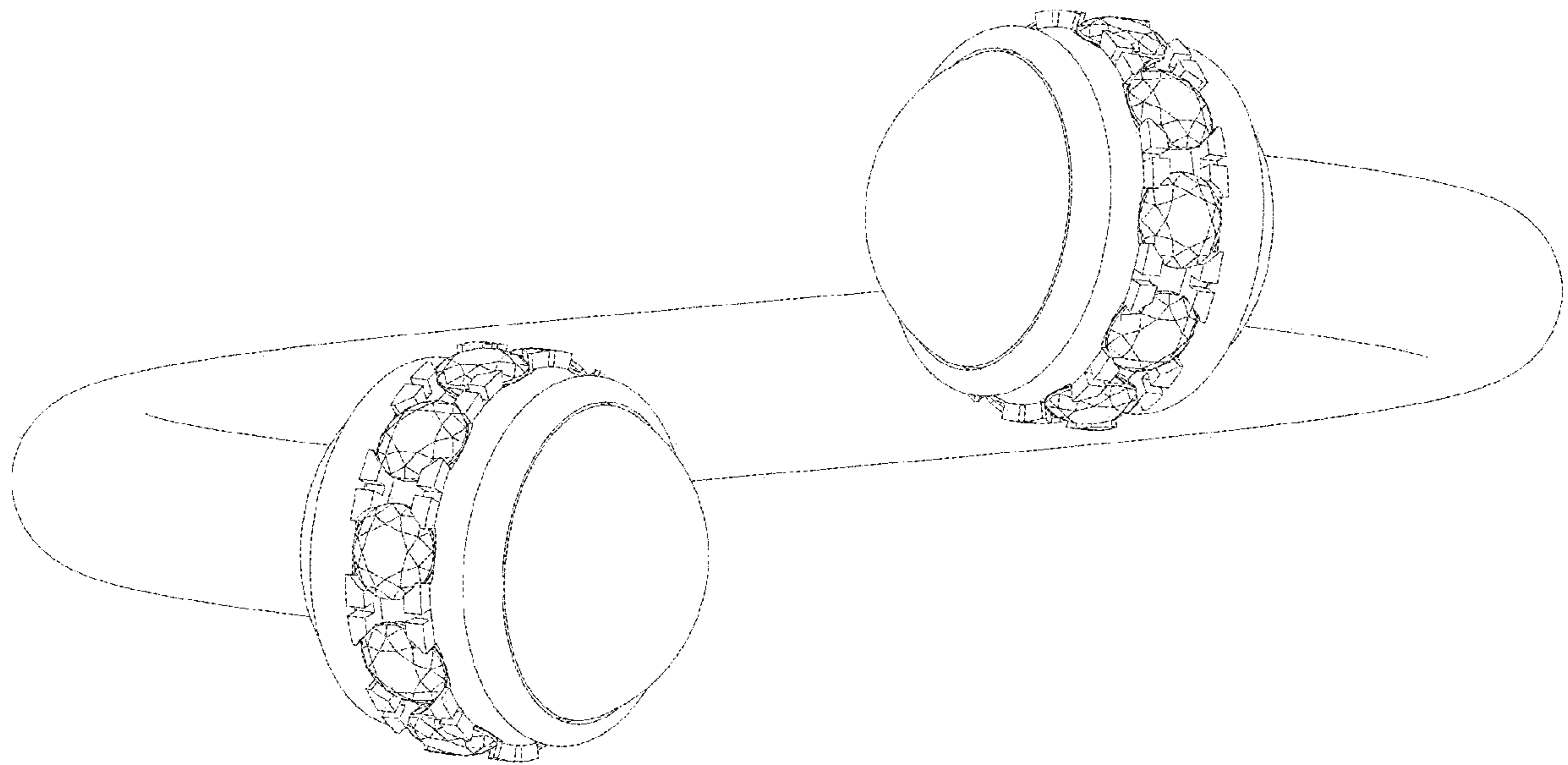


Fig. 1

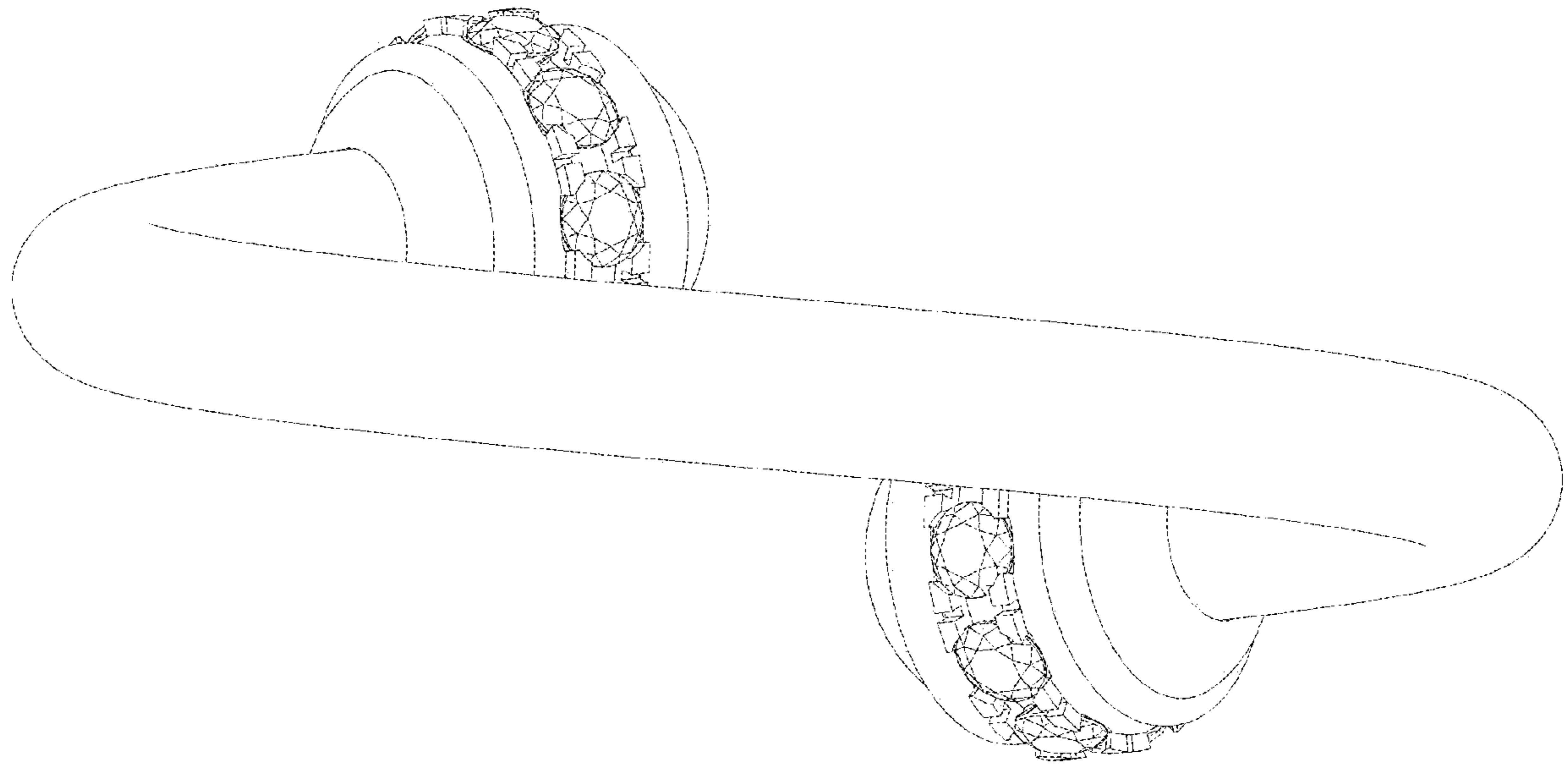


Fig. 2

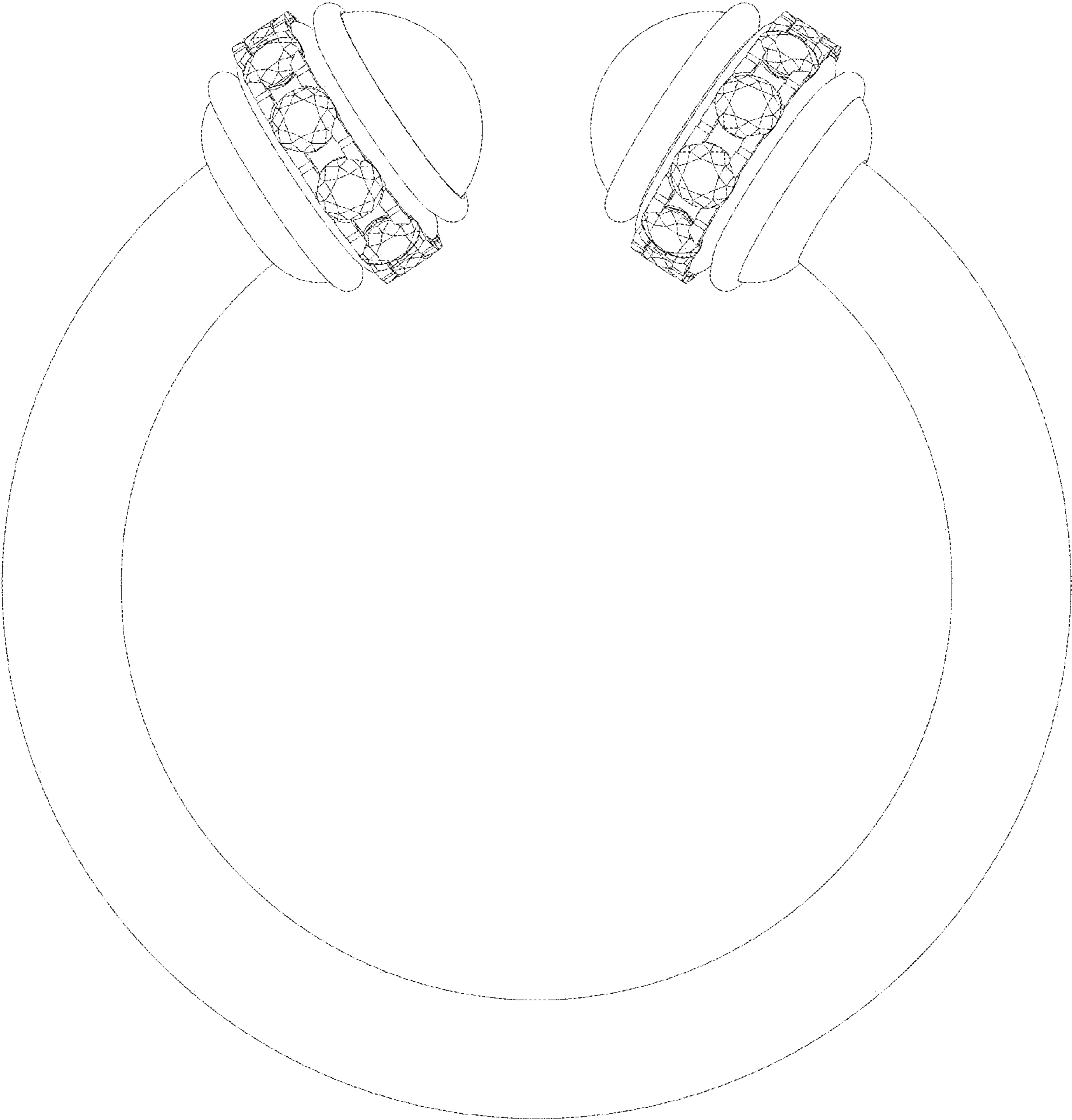


Fig. 3

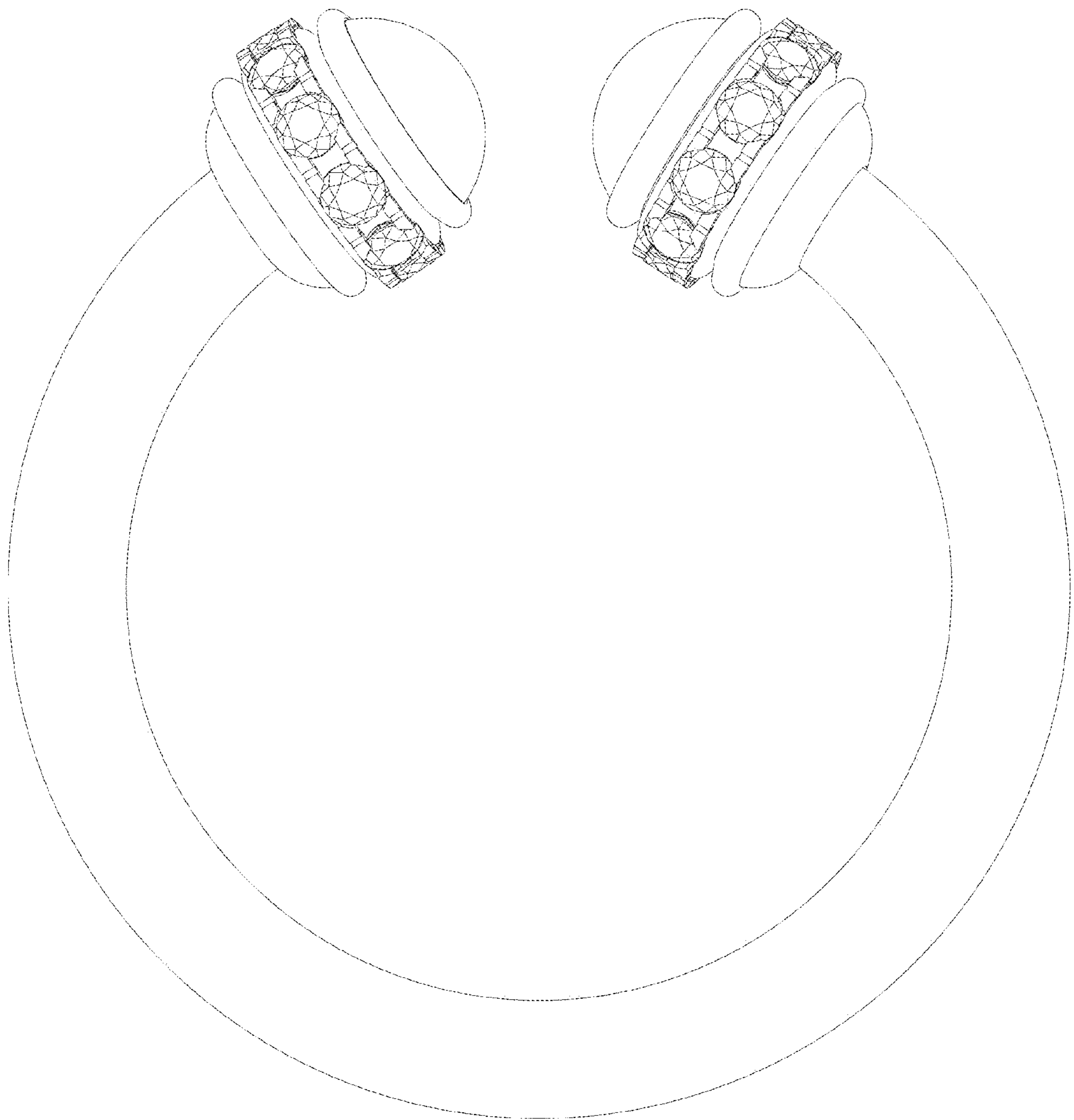


Fig. 4

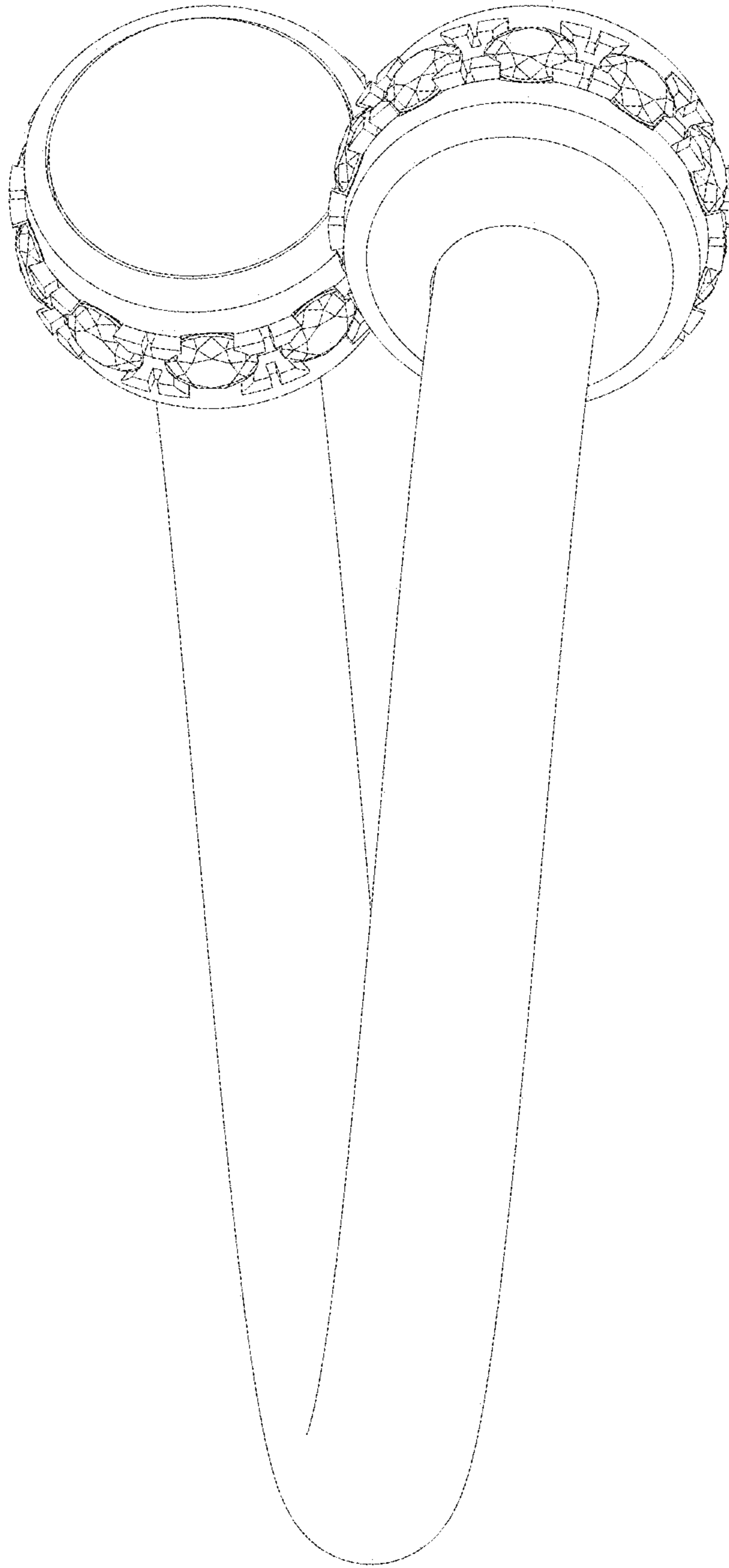


Fig. 5

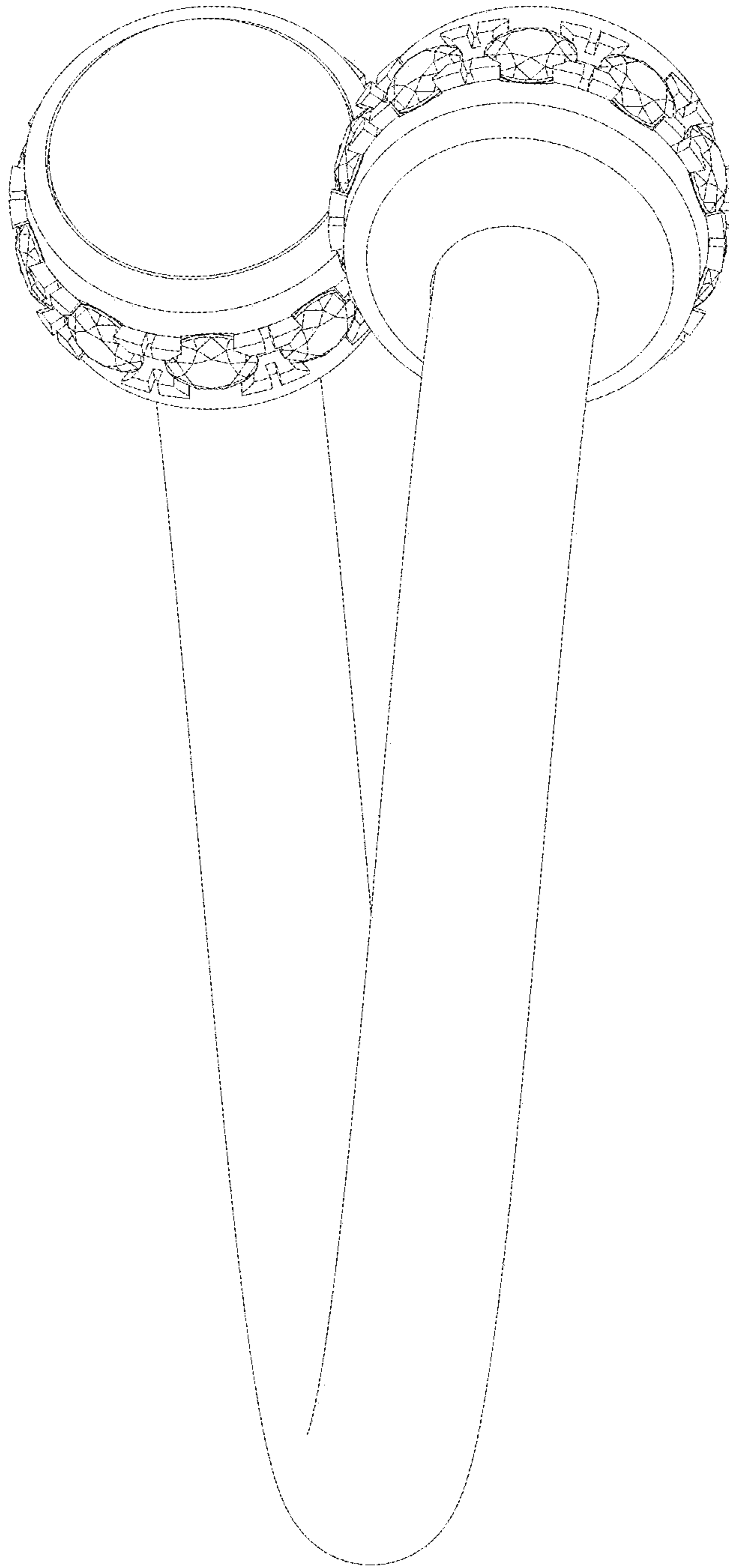


Fig. 6



Fig. 7

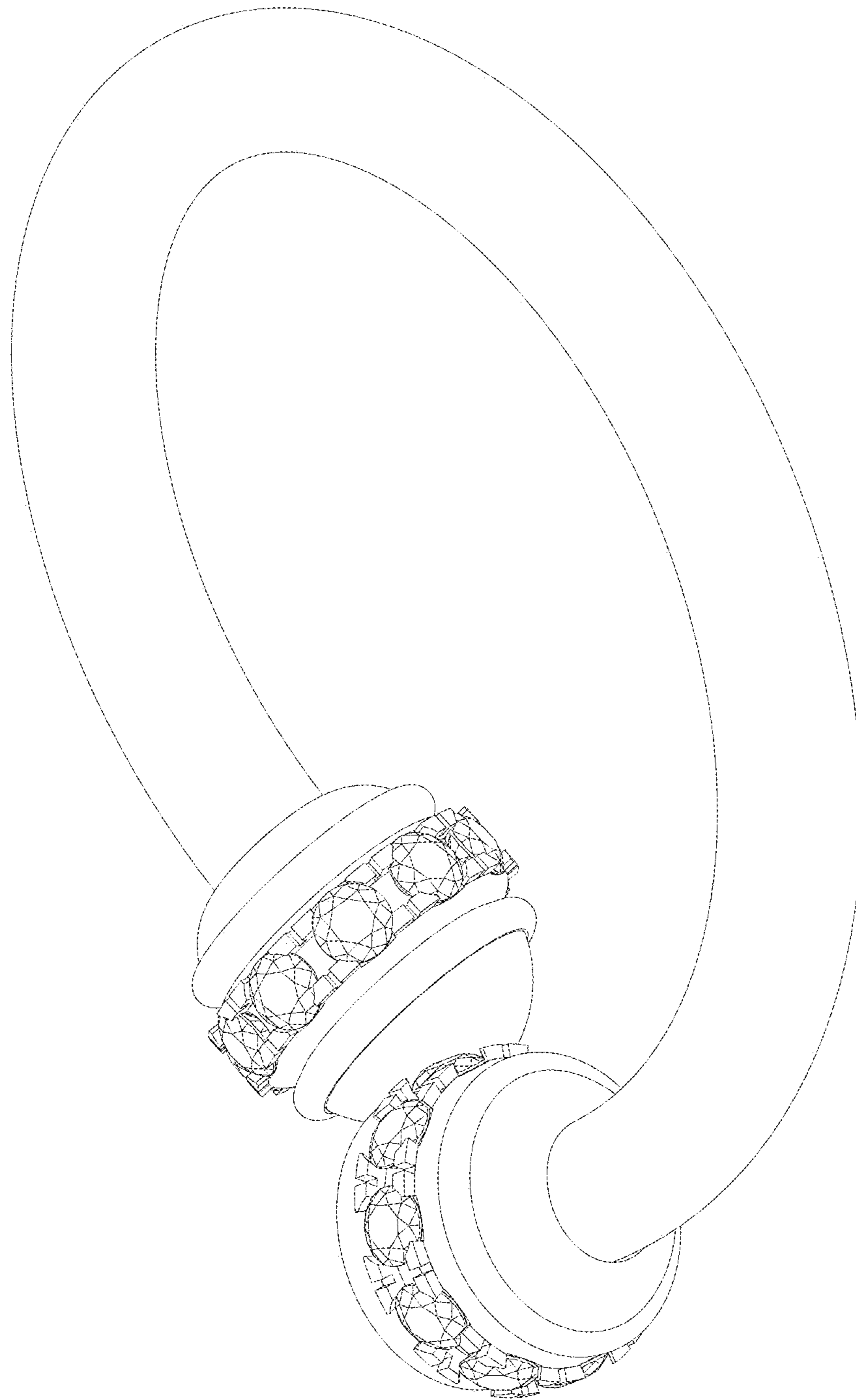


Fig. 8