



US00D922893S

(12) **United States Design Patent** (10) **Patent No.:** **US D922,893 S**  
**Hernandez** (45) **Date of Patent:** **\*\* Jun. 22, 2021**

(54) **WATCH COMPONENT**  
(71) Applicant: **Nivarox-FAR SA**, Le Locle (CH)  
(72) Inventor: **Ivan Hernandez**, Cressier (CH)  
(73) Assignee: **Nivarox-Far SA**, Le Locle (CH)  
(\*\*) Term: **15 Years**  
(21) Appl. No.: **29/707,678**  
(22) Filed: **Sep. 30, 2019**  
(30) **Foreign Application Priority Data**  
May 7, 2019 (WO) ..... 083274  
(51) **LOC (13) Cl.** ..... **10-07**  
(52) **U.S. Cl.**  
USPC ..... **D10/129**  
(58) **Field of Classification Search**  
USPC .... D10/30-39, 128-132; D14/344, 345, 440  
CPC ..... A44C 5/0007; A44C 5/147; A44C 11/10;  
A44C 11/12; G04B 37/005; G04B  
37/0058; G04B 37/084; G04B 37/087;  
G04B 37/1486; G04B 17/20; G04B  
17/063; G04B 18/006; G04B 18/04;  
G04B 18/08; G04B 17/222; G04B 17/28  
See application file for complete search history.

7,661,875 B2 \* 2/2010 Verardo ..... G04B 17/063  
368/171  
D650,301 S \* 12/2011 Greubel ..... D10/128  
D650,302 S \* 12/2011 Greubel ..... D10/128  
D650,303 S \* 12/2011 Greubel ..... D10/128  
D650,717 S \* 12/2011 Greubel ..... D10/128  
8,550,699 B2 \* 10/2013 Buhler ..... G04D 3/0069  
368/169  
D700,535 S \* 3/2014 Graf ..... D10/129  
D730,764 S \* 6/2015 Graf ..... D10/129  
9,164,484 B2 \* 10/2015 Stranczl ..... G04B 15/14  
9,235,192 B2 \* 1/2016 Verardo ..... G04B 17/06  
10,061,269 B2 \* 8/2018 Graf ..... G04B 18/006  
10,496,038 B2 \* 12/2019 Stranczl ..... G04B 31/06  
2013/0188461 A1 \* 7/2013 Mallet ..... G04B 17/063  
368/173  
2016/0062314 A1 \* 3/2016 Graf ..... G04B 18/006  
368/171  
2017/0255165 A1 \* 9/2017 Zaugg ..... G04B 17/063  
2019/0064739 A1 \* 2/2019 Christan ..... G04B 18/06  
2020/0356055 A1 \* 11/2020 Hernandez ..... G04B 17/063

\* cited by examiner

*Primary Examiner* — Sandra Snapp  
*Assistant Examiner* — Katherine Glennon  
(74) *Attorney, Agent, or Firm* — Blank Rome LLP

(57) **CLAIM**

The ornamental design for a watch component, as shown and described.

(56) **References Cited**

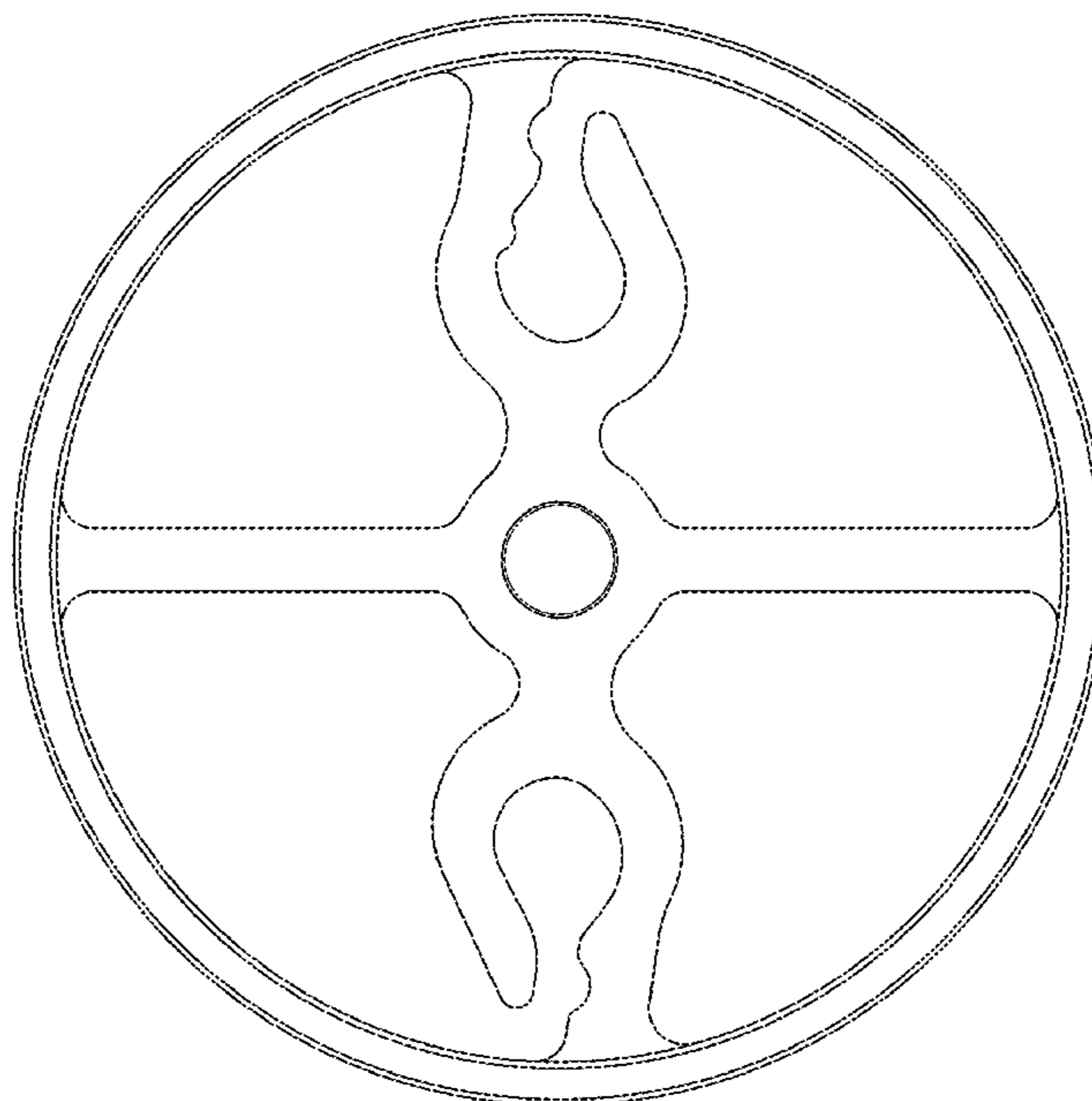
U.S. PATENT DOCUMENTS

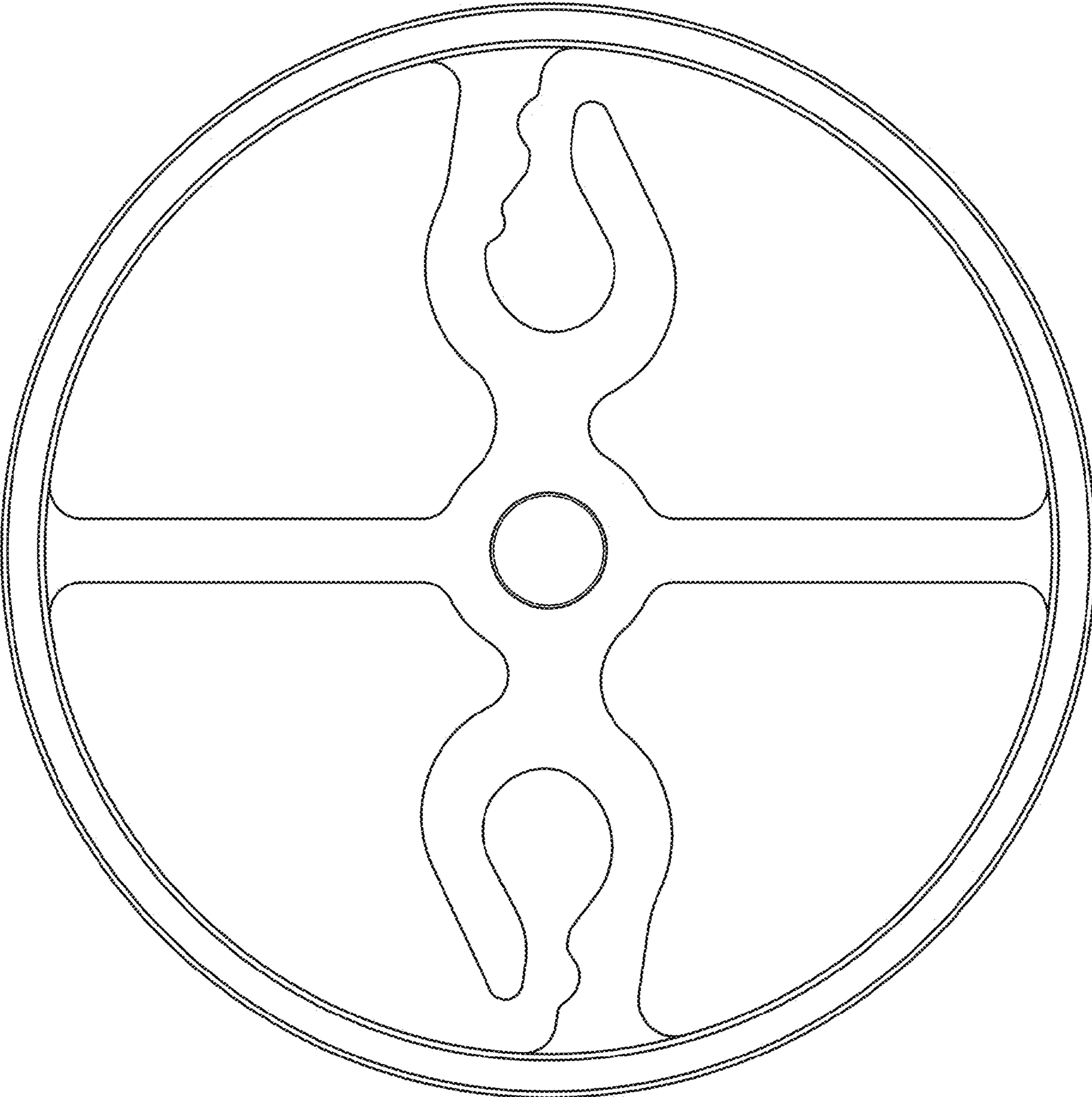
3,262,260 A \* 7/1966 Perrot-Audet ..... G04B 18/006  
368/170  
3,733,805 A \* 5/1973 Kashimura ..... G04F 7/065  
368/105  
6,666,575 B2 \* 12/2003 Scheufele ..... G04B 18/006  
368/127  
D574,260 S \* 8/2008 Grotell ..... D10/30

**DESCRIPTION**

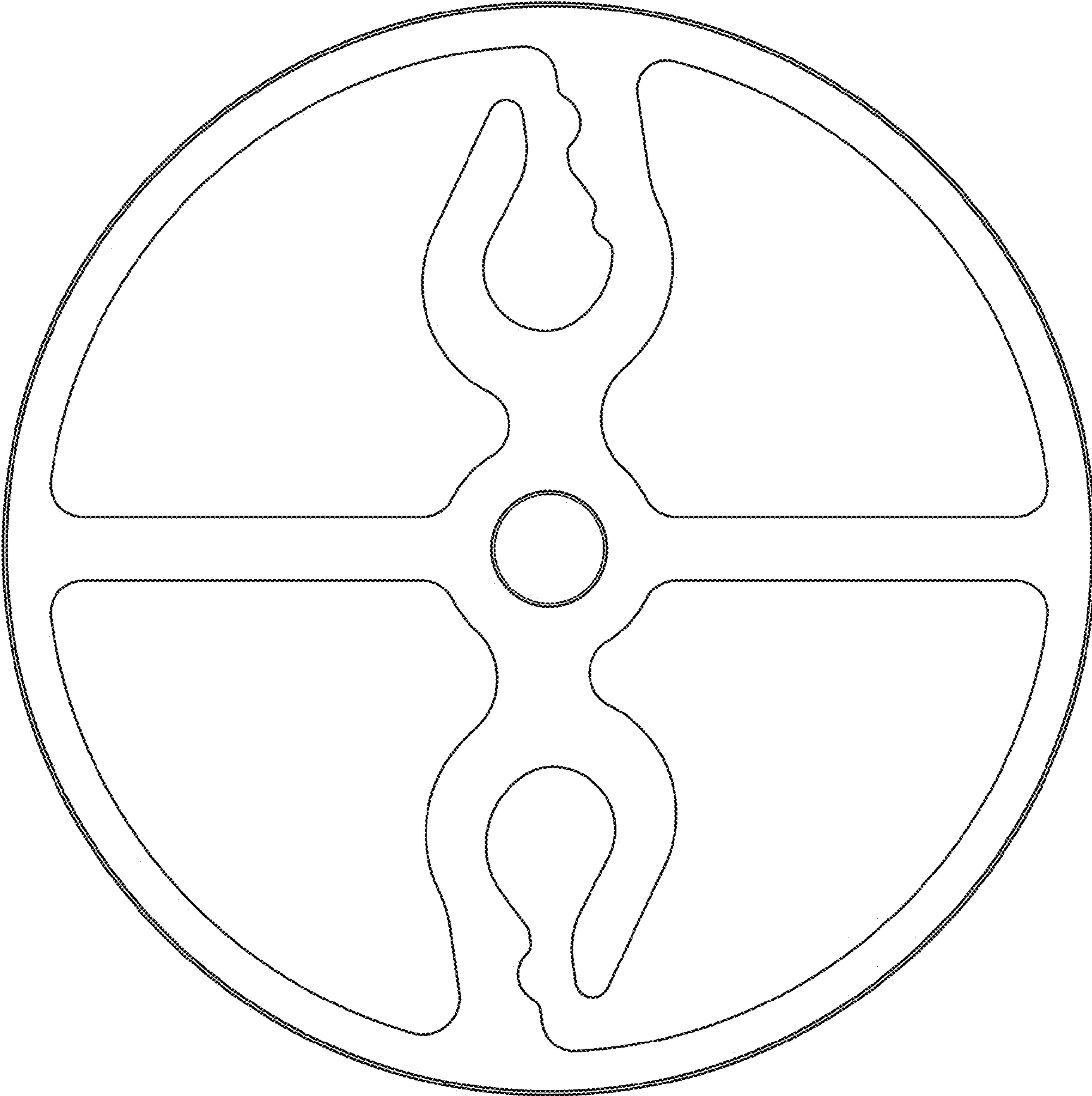
FIG. 1 is a front view of a watch component of the present design;  
FIG. 2 is a rear view thereof;  
FIG. 3 is a front perspective view thereof; and,  
FIG. 4 is a rear perspective view thereof.

**1 Claim, 4 Drawing Sheets**

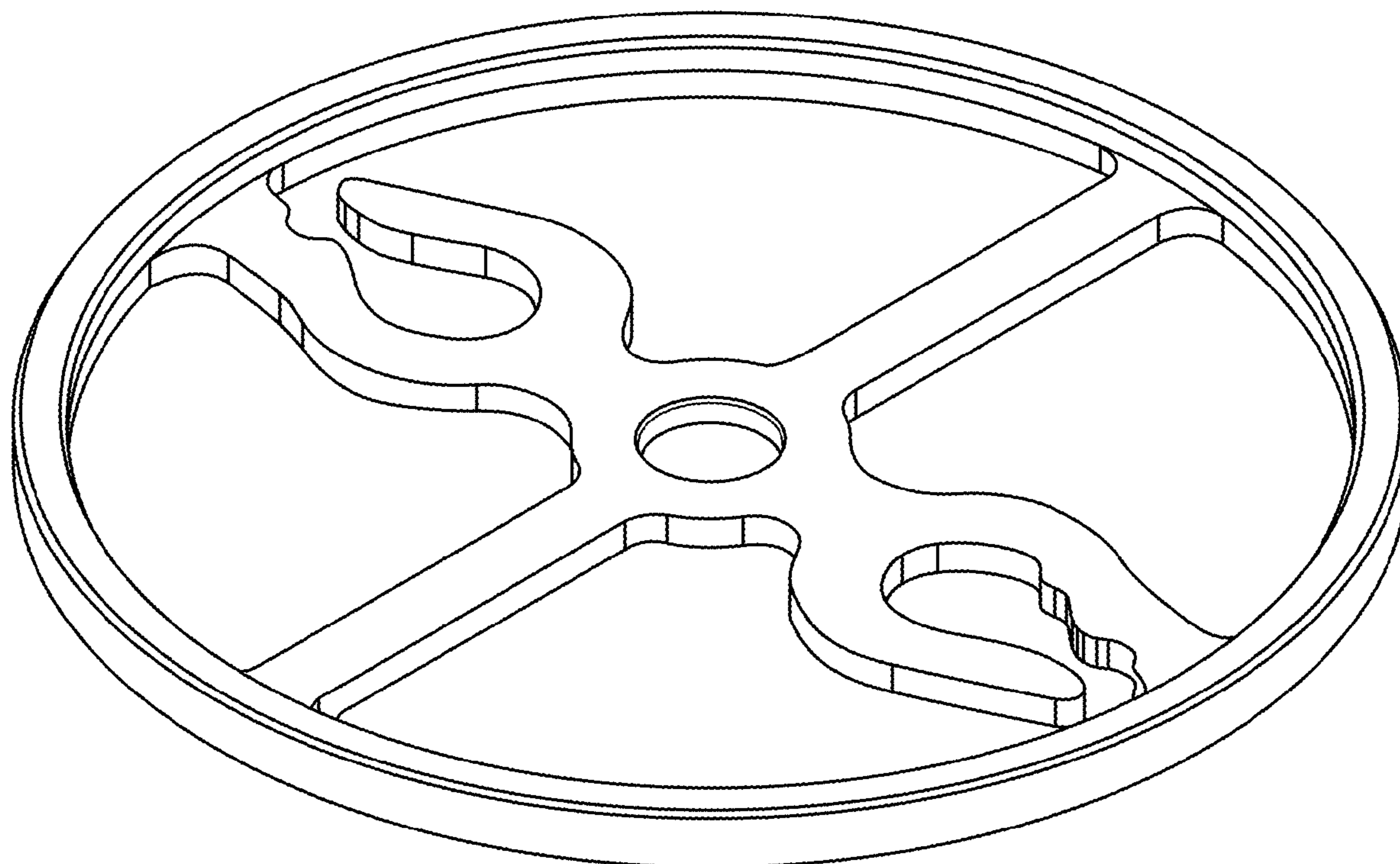




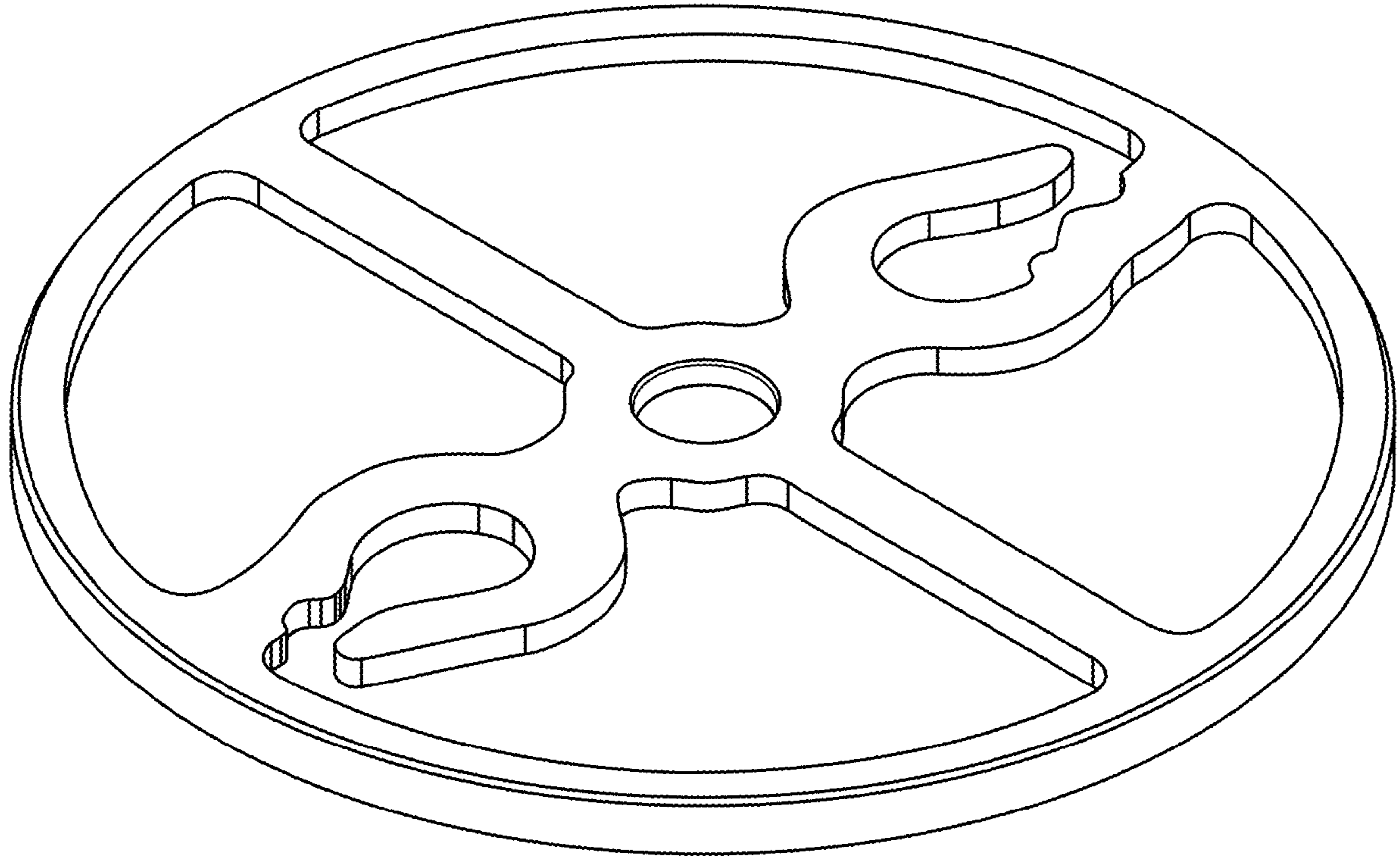
**FIG. 1**



**FIG. 2**



**FIG. 3**



**FIG. 4**