



US00D922889S

(12) **United States Design Patent**
Kentley-Klay et al.

(10) **Patent No.:** **US D922,889 S**

(45) **Date of Patent:** **** Jun. 22, 2021**

(54) **SENSOR HOUSING**

(71) Applicant: **Zoox, Inc.**, Foster City, CA (US)

(72) Inventors: **Timothy David Kentley-Klay**,
Stanford, CA (US); **Nahuel Elias Battaglia**,
Stanford, CA (US); **Herman Francisco Delos Santos**,
Redwood City, CA (US); **Richard Luke Osellame**,
Redwood City, CA (US); **Christopher John Stoffel**,
San Carlos, CA (US)

(73) Assignee: **Zoox, Inc.**, Foster City, CA (US)

(**) Term: **15 Years**

(21) Appl. No.: **29/655,131**

(22) Filed: **Jun. 29, 2018**

(51) **LOC (13) Cl.** **10-04**

(52) **U.S. Cl.**
USPC **D10/70; D14/240; D12/190**

(58) **Field of Classification Search**
USPC D14/140, 140.1, 140.6, 142, 155, 188,
D14/230–238, 240, 125, 356–358, 496,
D14/299, 217, 218, 388, 140.2, 159;
D13/110, 123, 158, 159, 184, 199, 166;
D10/104.1, 106.1, 106.6, 46, 70, 75;
D12/190
CPC .. G05D 1/0238; G05D 1/0246; G05D 1/0289;
G05D 2201/0213; G01S 17/93; B60R
2011/004
See application file for complete search history.

(56) **References Cited**

U.S. PATENT DOCUMENTS

D350,956 S * 9/1994 Sumikawa D14/155
D401,593 S * 11/1998 Nishimura D14/230
D460,442 S * 7/2002 Fetherolf D14/358

D476,764 S * 7/2003 Khovaylo D10/104.1
D482,678 S * 11/2003 Chung D14/240
D509,789 S * 9/2005 Motoishi D13/108
D512,926 S * 12/2005 Kondoh D10/70
D531,996 S * 11/2006 Cislo D14/230
D535,982 S * 1/2007 Inoue D14/230
D542,283 S * 5/2007 Cislo D14/230
D542,783 S * 5/2007 Cislo D14/230
D546,322 S * 7/2007 Cislo D14/230
D550,218 S * 9/2007 Cislo D14/230
D550,659 S * 9/2007 Noro D14/230
D550,660 S * 9/2007 Noro D14/230
D551,220 S * 9/2007 Noro D14/230
D553,614 S * 10/2007 Cislo D14/230
D558,190 S * 12/2007 Cislo D14/230
D565,534 S * 4/2008 Ingalsbe D14/155
D573,984 S * 7/2008 Ferguson D14/230

(Continued)

Primary Examiner — Marie D. Fast Horse

(74) *Attorney, Agent, or Firm* — Lee & Hayes, P.C.

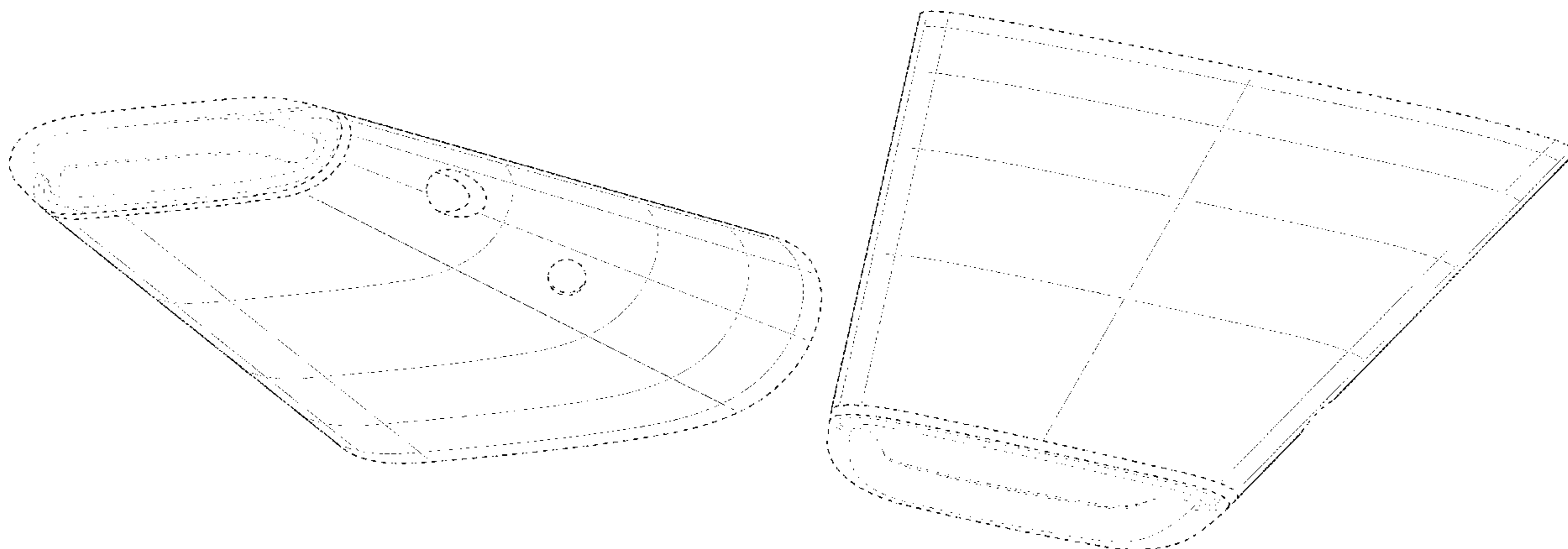
(57) **CLAIM**

The ornamental design for a sensor housing, as shown and described.

DESCRIPTION

This application is related to U.S. patent application Ser. No. 29/655,062, entitled “Vehicle,” filed Jun. 29, 2018, the entire contents of which are incorporated herein by reference. FIG. 1 is a front perspective view of a sensor housing. The design includes a mirror image of the embodiment depicted; FIG. 2 is a front view thereof; FIG. 3 is a back view thereof; FIG. 4 is a right-side view thereof; FIG. 5 is a left-side view thereof; FIG. 6 is a top view thereof; and, FIG. 7 is a bottom view thereof. The broken lines depict portions of the sensor housing that form no part of the claimed design.

1 Claim, 7 Drawing Sheets



(56)

References Cited

U.S. PATENT DOCUMENTS

D575,181	S	*	8/2008	Gordin	D10/104.1
D580,415	S	*	11/2008	Beaver, Jr.	D14/230
D581,403	S	*	11/2008	Zwingmann	D14/230
D595,274	S	*	6/2009	Skottke	D14/230
D595,699	S	*	7/2009	Skottke	D14/230
D602,921	S	*	10/2009	Skottke	D14/230
D625,737	S	*	10/2010	van Alphen	D14/496
D667,007	S	*	9/2012	Huang	D14/240
D669,073	S	*	10/2012	Wu	D14/240
D684,563	S	*	6/2013	Meek	D14/230
D686,598	S	*	7/2013	Yanagisawa	D14/230
D691,965	S	*	10/2013	Bedolla	D13/162
D703,642	S	*	4/2014	Gao	D14/240
D713,277	S	*	9/2014	Hasegawa	D10/106.6
D719,267	S	*	12/2014	Vaccarella	D24/187
D722,276	S	*	2/2015	Lin	D10/85
D723,395	S	*	3/2015	Dispenza	D10/53
D725,056	S	*	3/2015	Park	D14/125
D730,879	S	*	6/2015	Kato	D14/230
D743,943	S	*	11/2015	Kim	D14/218
D746,511	S	*	12/2015	Gettings	D26/135
9,221,396	B1	*	12/2015	Zhu	G06K 9/00791
D747,228	S	*	1/2016	Fiedler	D10/104.1
D748,611	S	*	2/2016	Sato	D14/230
D751,055	S	*	3/2016	Giannaris	D14/240
D756,007	S	*	5/2016	Wilson	D26/31
D768,520	S	*	10/2016	Lisseman	D10/104.1
D768,521	S	*	10/2016	Lisseman	D10/104.1
D778,184	S	*	2/2017	Kikstra	D10/70
D778,750	S	*	2/2017	Phillips	D10/106.9
D783,303	S	*	4/2017	Roche	D6/515
D783,423	S	*	4/2017	Srnec	D10/52
D786,200	S	*	5/2017	Lagerstedt	D13/168
D788,625	S	*	6/2017	Hsieh	D10/70
D789,427	S	*	6/2017	Jackson	D15/28
D789,819	S	*	6/2017	Chen	D10/70
D793,262	S	*	8/2017	Geskin Zinovi	D10/104.1
D796,975	S	*	9/2017	Jou	D10/70
D799,454	S	*	10/2017	Lin	D14/230
9,802,638	B1	*	10/2017	Stoffel	G05G 1/34
D802,462	S	*	11/2017	Morneau	D10/56
D803,196	S	*	11/2017	Quinlan	D14/230
D805,503	S	*	12/2017	Corp	D14/230
D811,906	S	*	3/2018	Ewringmann	D10/69
D814,326	S	*	4/2018	Puscasu	D10/104.1
D814,531	S	*	4/2018	Jacobsthal	D15/31
D817,312	S	*	5/2018	Lee	D14/240
D819,632	S	*	6/2018	Lin	D14/358
D826,219	S	*	8/2018	Kobayashi	D14/230
D832,826	S	*	11/2018	He	D14/230
D833,105	S	*	11/2018	Colquhoun	D1/124
D834,971	S	*	12/2018	Ahn	D10/70
D835,028	S	*	12/2018	Ahn	D12/413
D835,360	S	*	12/2018	Lown	D30/153
D839,109	S	*	1/2019	Janse	D10/70
D841,504	S	*	2/2019	Alvarado	D10/103
D851,508	S	*	6/2019	D'Eramo	D10/70
D851,509	S	*	6/2019	Du	D10/70
10,317,240	B1	*	6/2019	Di Pietro	G01C 21/3694
D855,484	S	*	8/2019	Plested	D10/104.1
D856,318	S	*	8/2019	Ramones	D14/242
D858,327	S	*	9/2019	Matthews	D10/81
D860,027	S	*	9/2019	Siminoff	D10/106.6
D864,006	S	*	10/2019	Siminoff	D10/106.6
D866,368	S	*	11/2019	Ahn	D10/70
10,468,062	B1	*	11/2019	Levinson	G01S 13/89
D868,609	S	*	12/2019	Wang	D10/106.6
D870,582	S	*	12/2019	Bloom	D10/70
D874,957	S	*	2/2020	Ahn	D10/70
D875,575	S	*	2/2020	Fagnot	D10/70
D876,253	S	*	2/2020	Fagnot	D10/70
D878,264	S	*	3/2020	Ahn	D12/190
D906,303	S	*	12/2020	Dubois	D14/240
D906,304	S	*	12/2020	Dubois	D14/240
D909,349	S	*	2/2021	Kentley-Klay	D14/230
2017/0124781	A1	*	5/2017	Douillard	G05D 1/0268
2017/0151933	A1	*	6/2017	Doorley	B08B 1/00
2018/0017680	A1	*	1/2018	Pennecot	G01C 3/02
2019/0204425	A1	*	7/2019	Abari	G01S 7/4026
2019/0278292	A1	*	9/2019	Levinson	G05D 1/0088
2019/0293756	A1	*	9/2019	Blaes	G01S 7/4972
2019/0293772	A1	*	9/2019	Pfeiffer	G01S 17/42
2019/0318206	A1	*	10/2019	Smith	B60W 30/0956
2019/0359147	A1	*	11/2019	Zajac	G01V 8/20

* cited by examiner

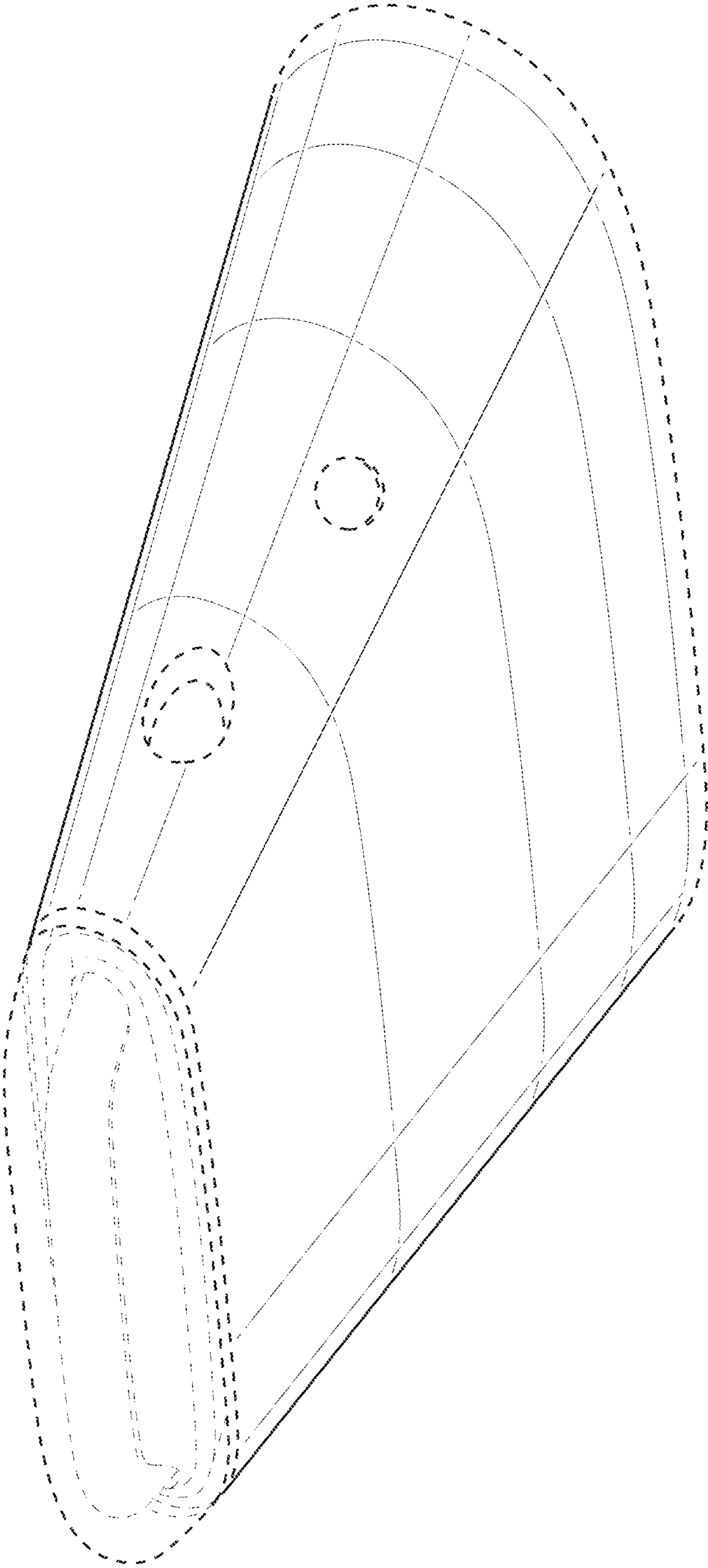


FIG. 1

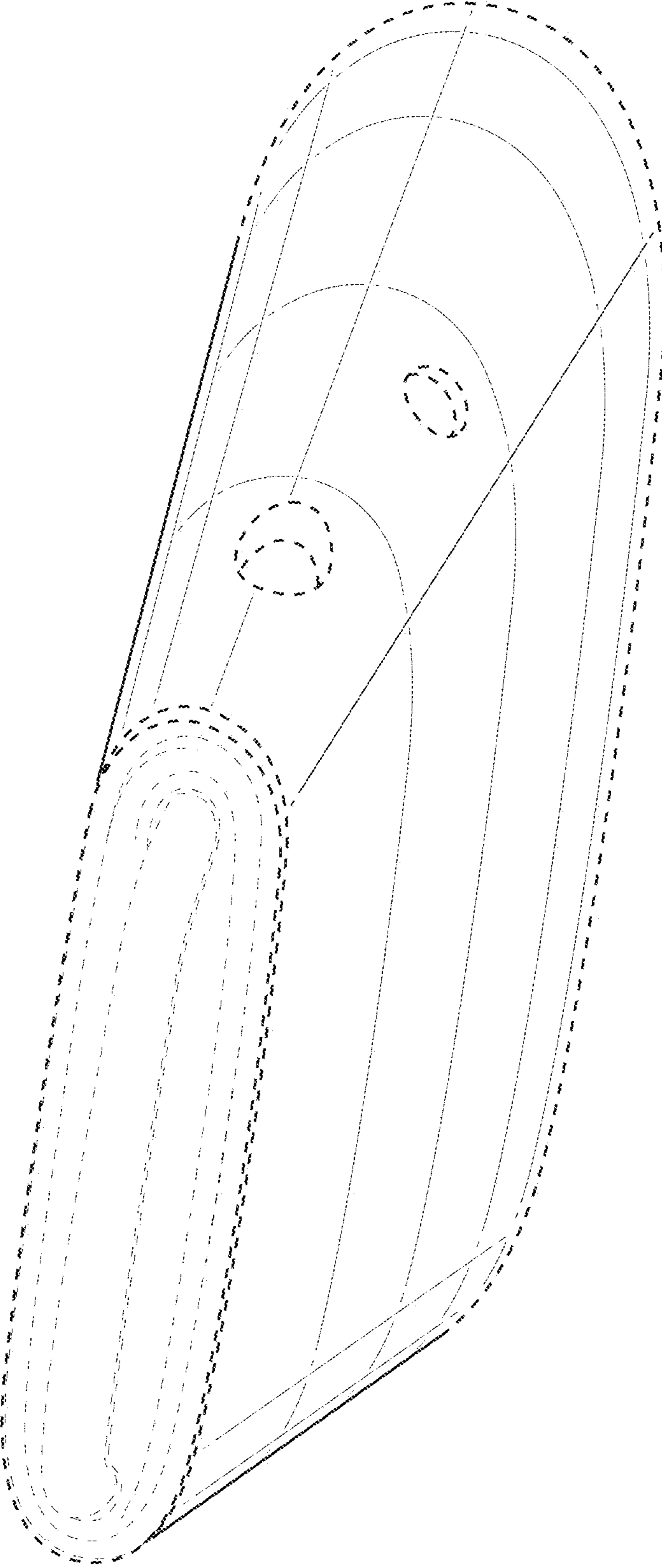


FIG. 2

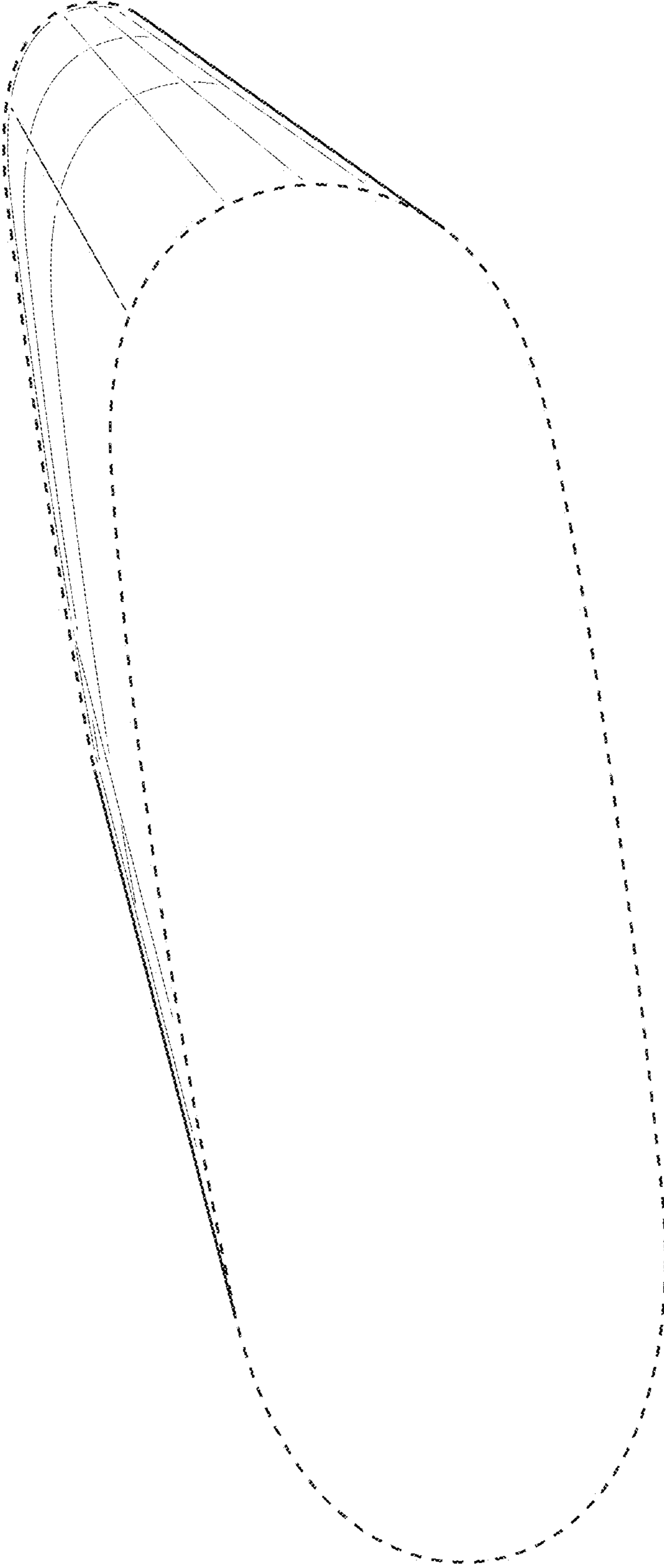


FIG. 3

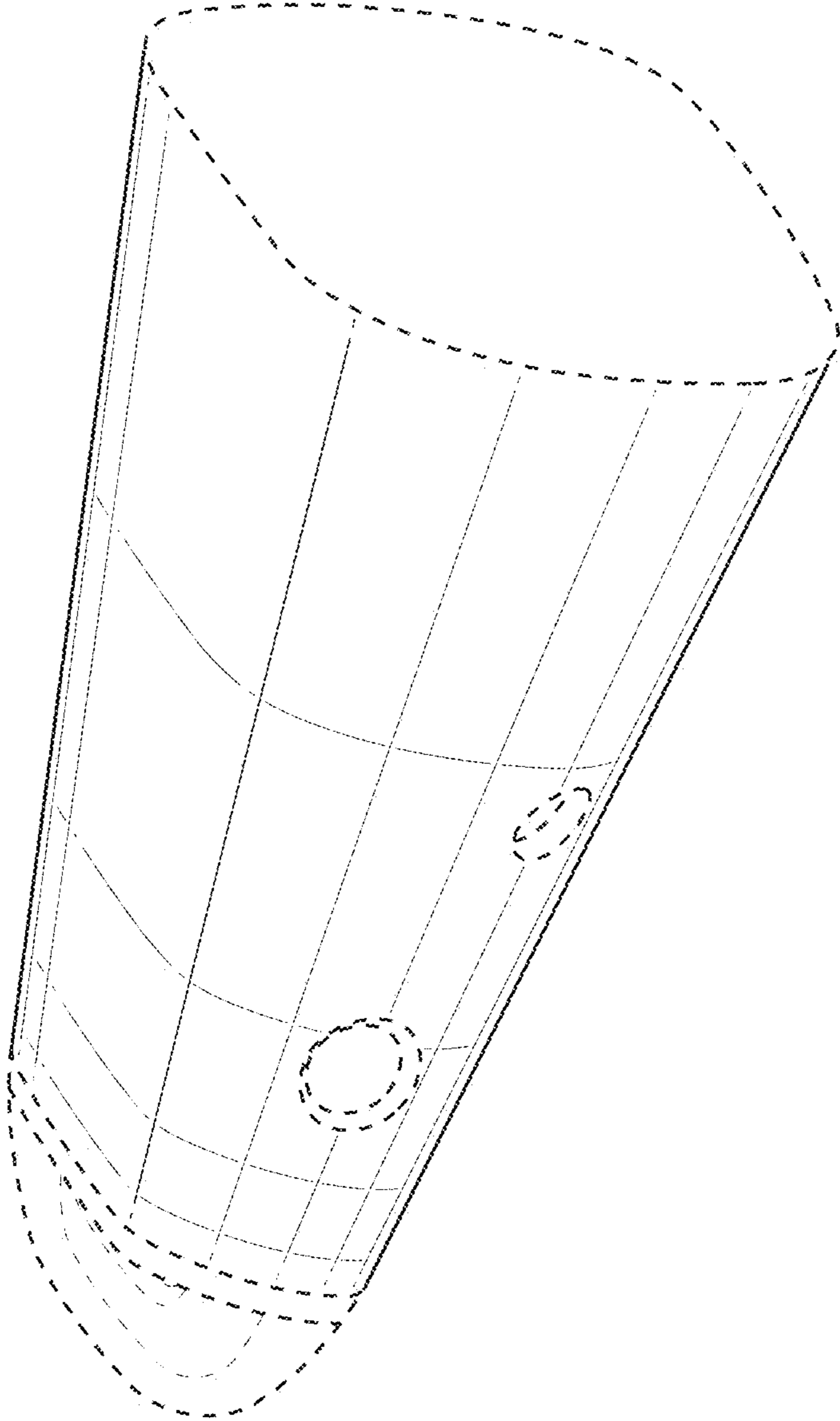


FIG. 4

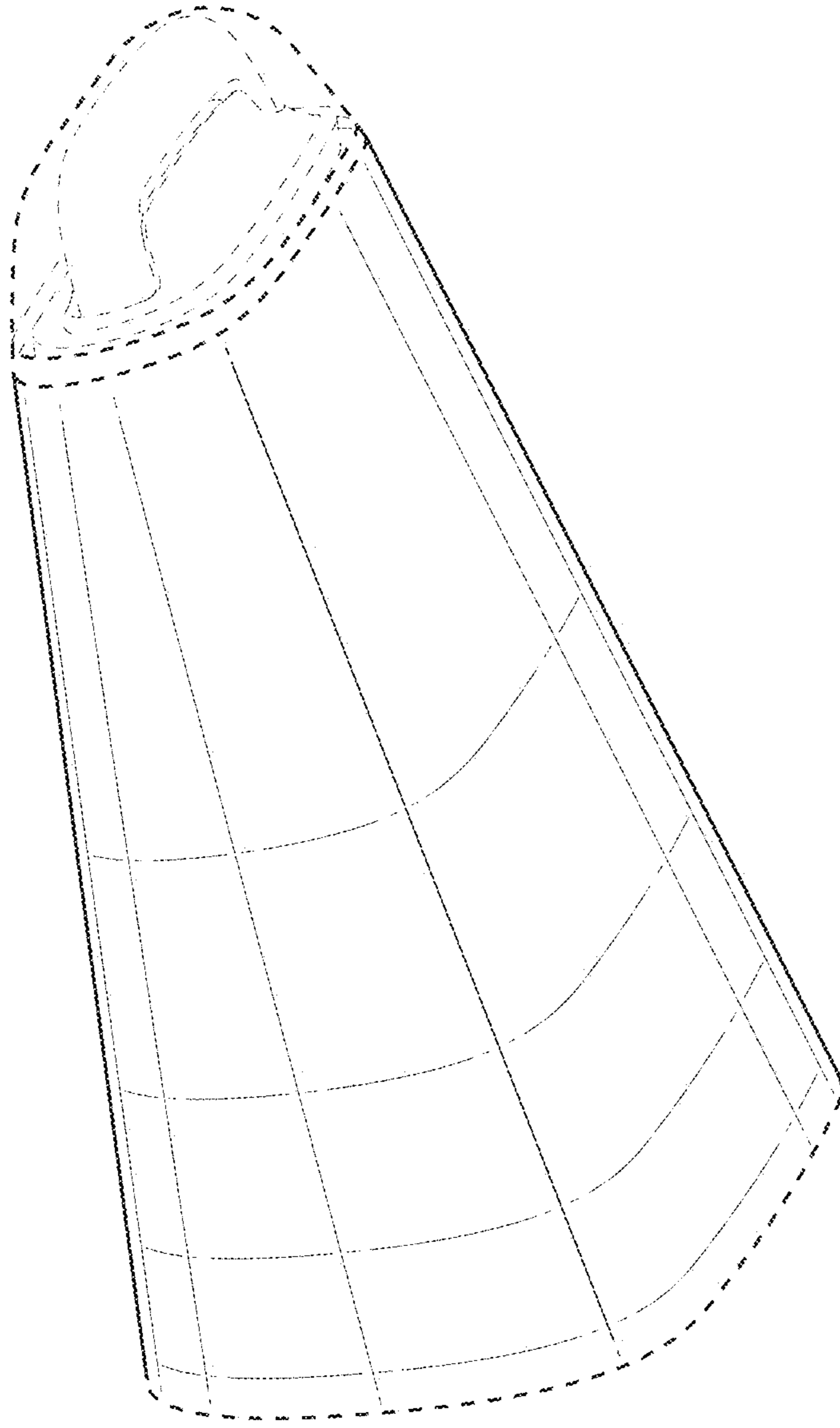


FIG. 5

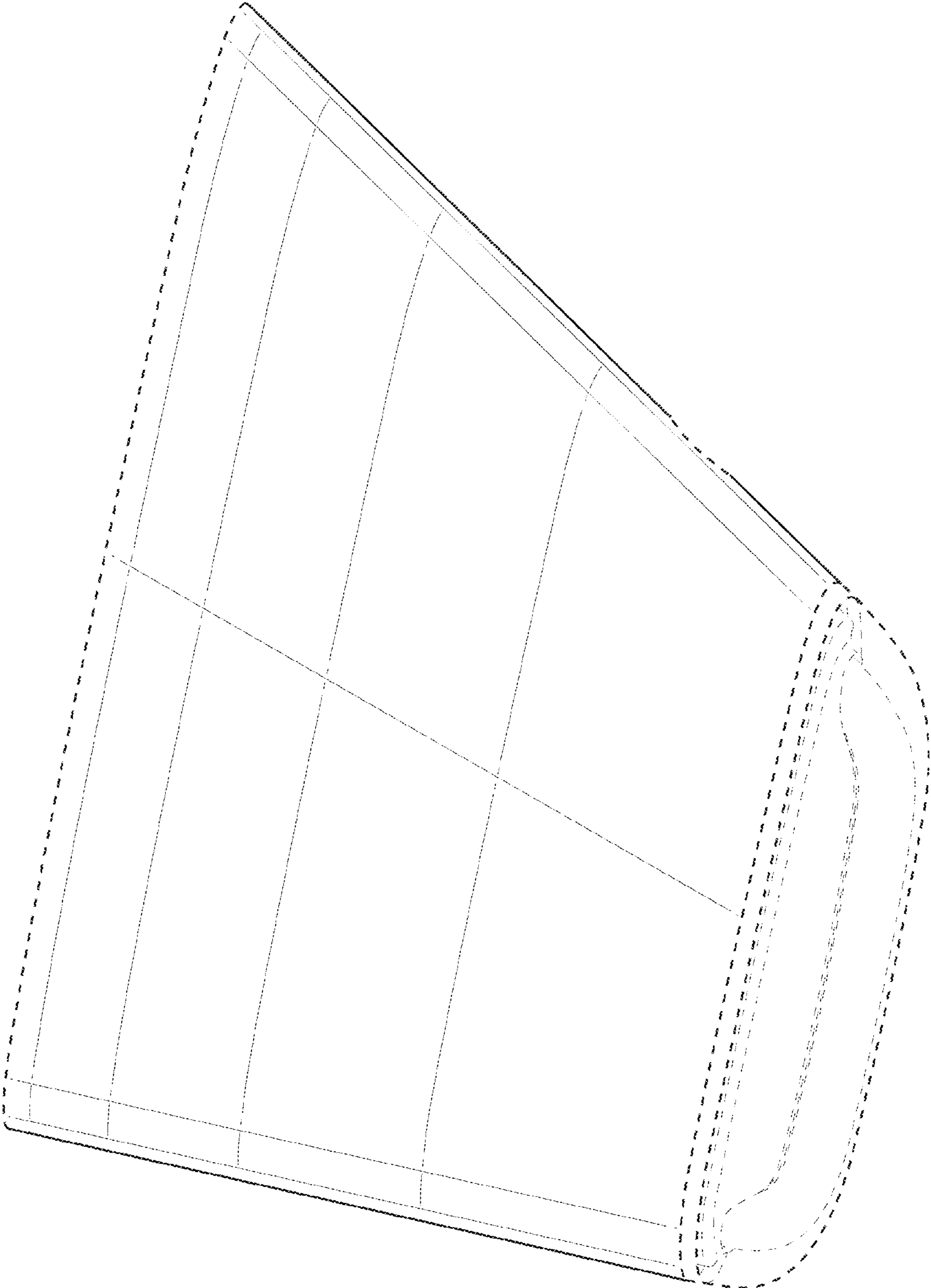


FIG. 6

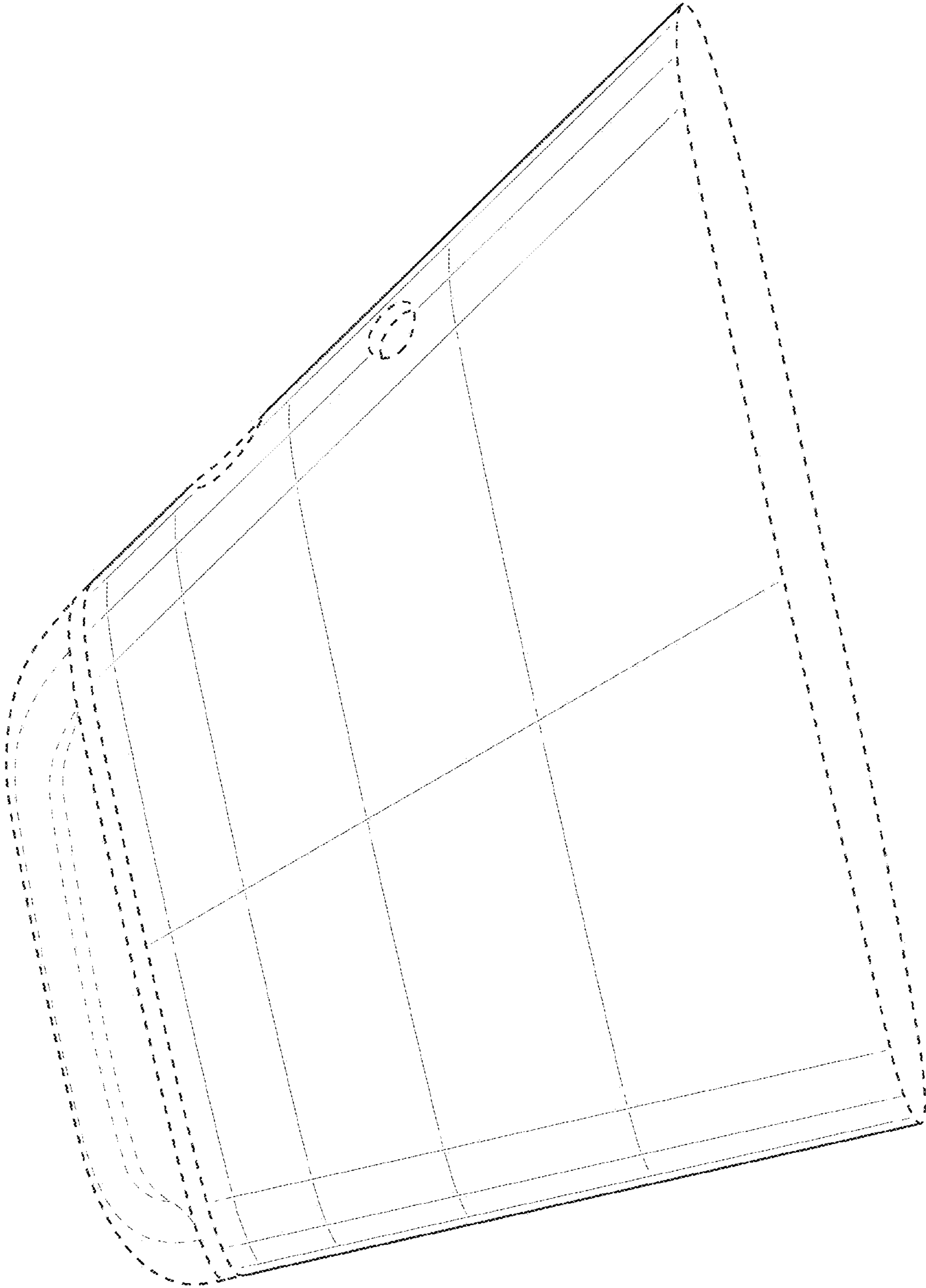


FIG. 7