



US00D922888S

(12) **United States Design Patent** (10) **Patent No.:** **US D922,888 S**
Aoki (45) **Date of Patent:** **** Jun. 22, 2021**

(54) **LASER MEASURING DEVICE**

(71) Applicant: **Topcon Corporation**, Tokyo (JP)

(72) Inventor: **Takeo Aoki**, Tokyo (JP)

(**) Term: **15 Years**

(21) Appl. No.: **35/508,293**

(22) Filed: **Jun. 28, 2019**

(80) **Hague Agreement Data**

Int. Filing Date: **Jun. 28, 2019**

Int. Reg. No.: **DM/204091**

Int. Reg. Date: **Jun. 28, 2019**

Int. Reg. Pub. Date: **Jan. 3, 2020**

(51) **LOC (13) Cl.** **10-04**

(52) **U.S. Cl.**
USPC **D10/66**

(58) **Field of Classification Search**
USPC D10/46, 61, 62, 64, 65, 66, 74; D14/347;
D13/158, 184, 103, 112, 113
CPC G01C 19/66; G01C 19/667; G01C 19/72;
G01C 15/002; G01C 15/004; G01C 15/00
See application file for complete search history.

(56) **References Cited**

U.S. PATENT DOCUMENTS

D156,300 S *	11/1949	Wendt	D10/74
D198,913 S *	8/1964	Smith	D10/46
D273,039 S *	3/1984	Behrens	D10/46
D376,111 S *	12/1996	Ishii	D10/66
5,655,307 A *	8/1997	Ogawa	G01C 15/002 33/290
6,710,319 B2 *	3/2004	Ohtomo	G01C 15/002 250/206.1
D568,183 S *	5/2008	Ishii	D10/65
7,861,424 B2 *	1/2011	Munroe	G01B 11/26 33/286
D699,597 S *	2/2014	Ghods	D10/46
2005/0117153 A1 *	6/2005	Kishi	G01C 15/002 356/399
2007/0028469 A1 *	2/2007	Nash	G01C 15/004 33/286

OTHER PUBLICATIONS

Amazon, Imex IPL300G Green Beam Pipe Laser Measuring Device, posted May 16, 2018, [online], [visited Nov. 19, 2020]. Internet, <URL: <https://www.amazon.co.uk/Imex-IPL300G-Green-Measuring-Device/dp/B077HJB1PM/ref>> (Year: 2018).*

Amazon, Johnson Level and Tool Pipe Laser, posted Aug. 23, 2011, [online], [visited Nov. 19, 2020]. Internet, <URL: <https://www.amazon.com/Johnson-Level-40-6690-Electronic-Self-Leveling/dp/B005GIOTOY>> (Year: 2011).*

* cited by examiner

Primary Examiner — George D. Kirschbaum

Assistant Examiner — Samantha N Wood

(57) **CLAIM**

The ornamental design for a laser measuring device, as shown and described.

DESCRIPTION

1. Laser measuring device

1.1: Perspective

1.2: Perspective

1.3: Front

1.4: Perspective

1.5: Back

1.6: Top

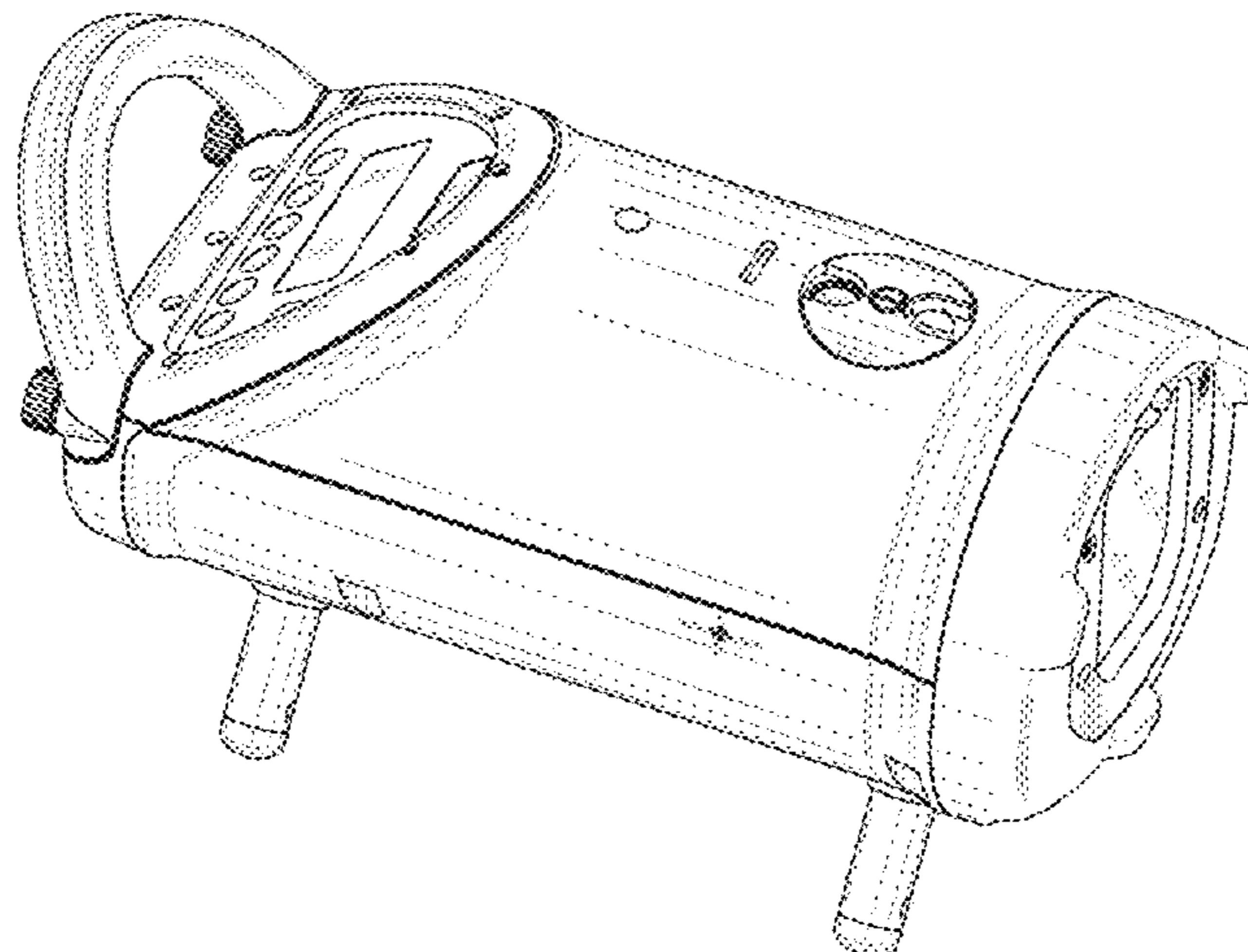
1.7: Right

1.8: Bottom

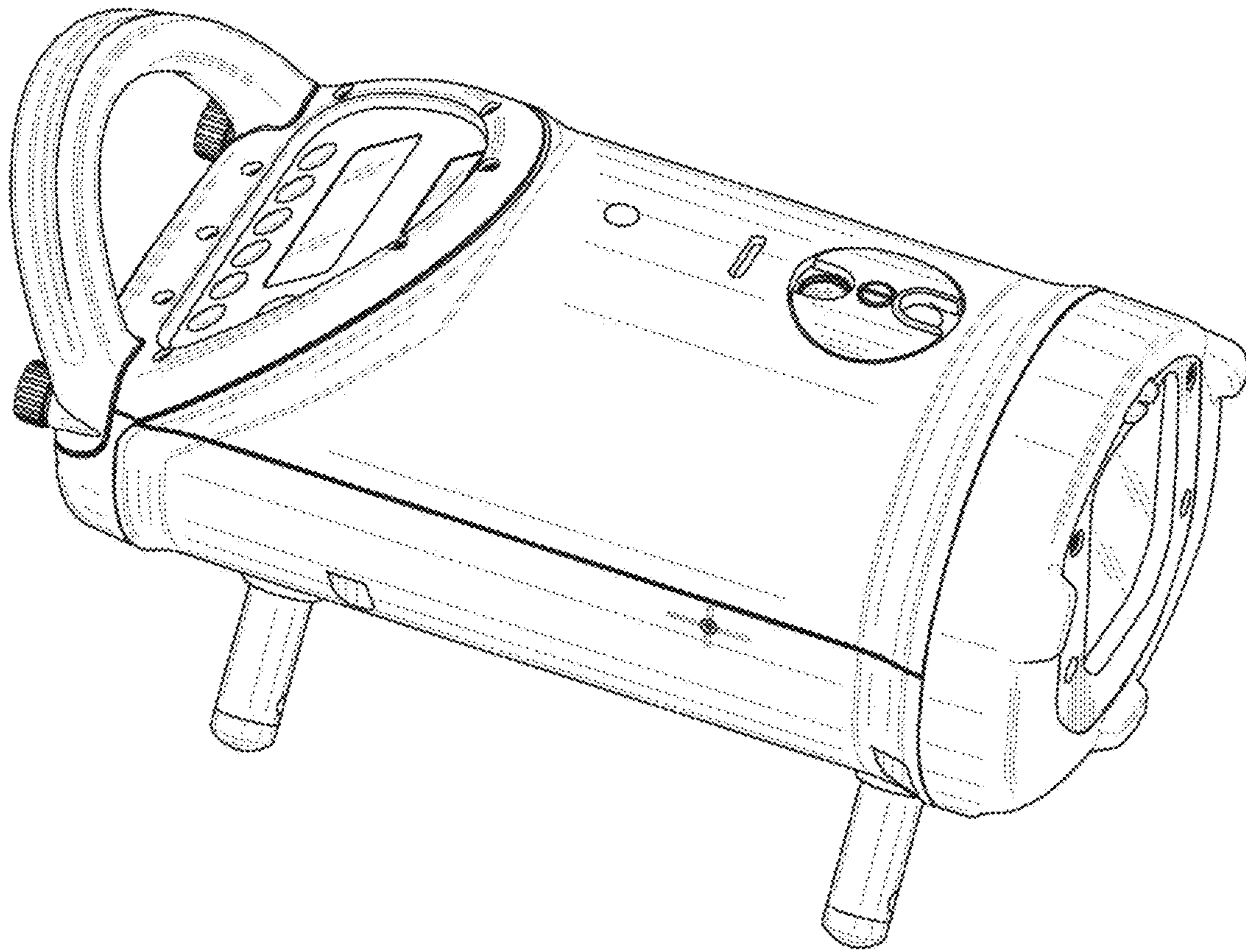
1.9: Left

The shadings indicated by thin lines are intended only to represent the three-dimensional shape of the surfaces of the design; left side view is omitted because it is mirror image of right side view; the oblique shade lines in the drawings are intended to show translucency; this article is a device that is used to measure angles and so on when setting a pipe.

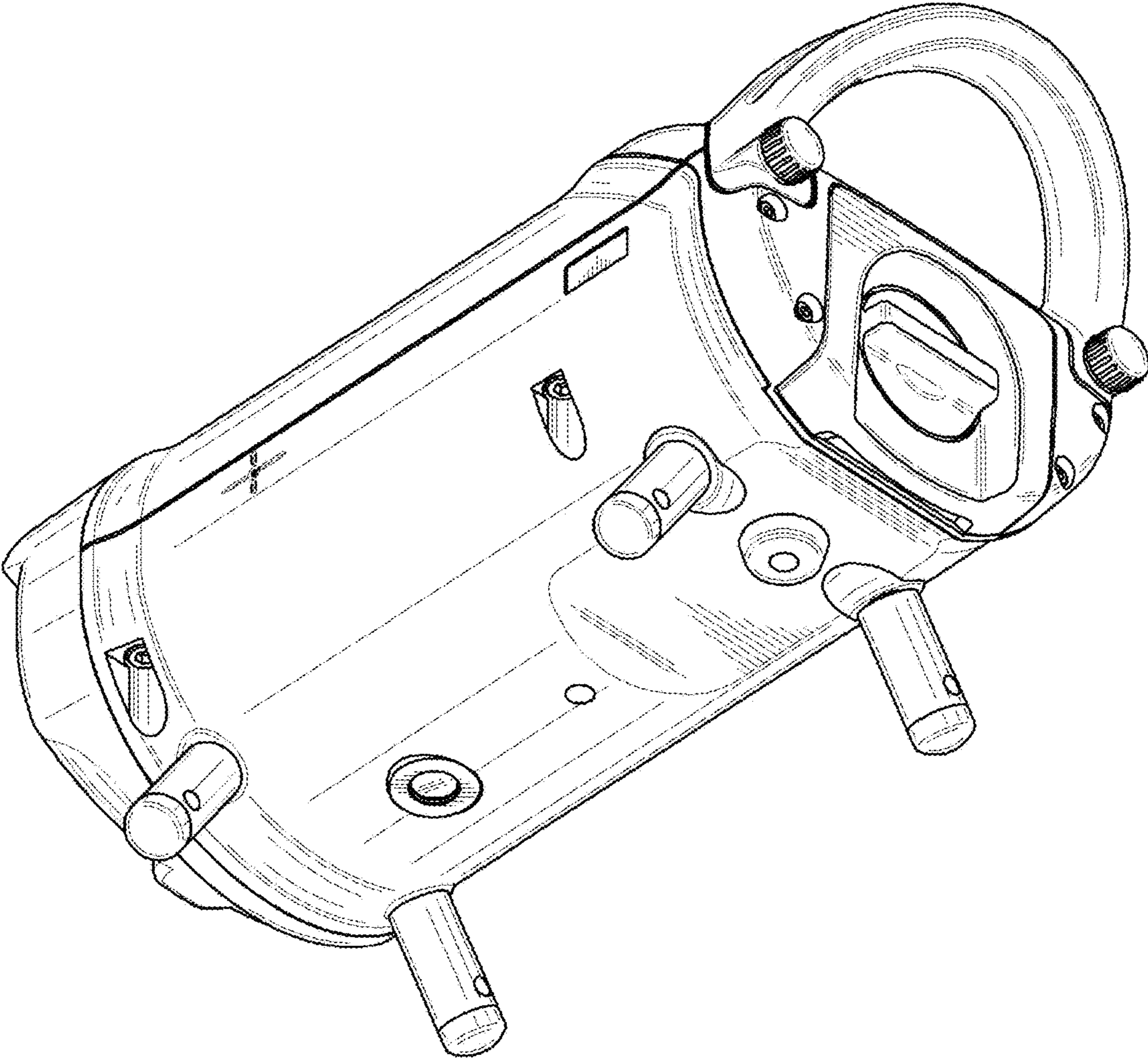
1 Claim, 9 Drawing Sheets



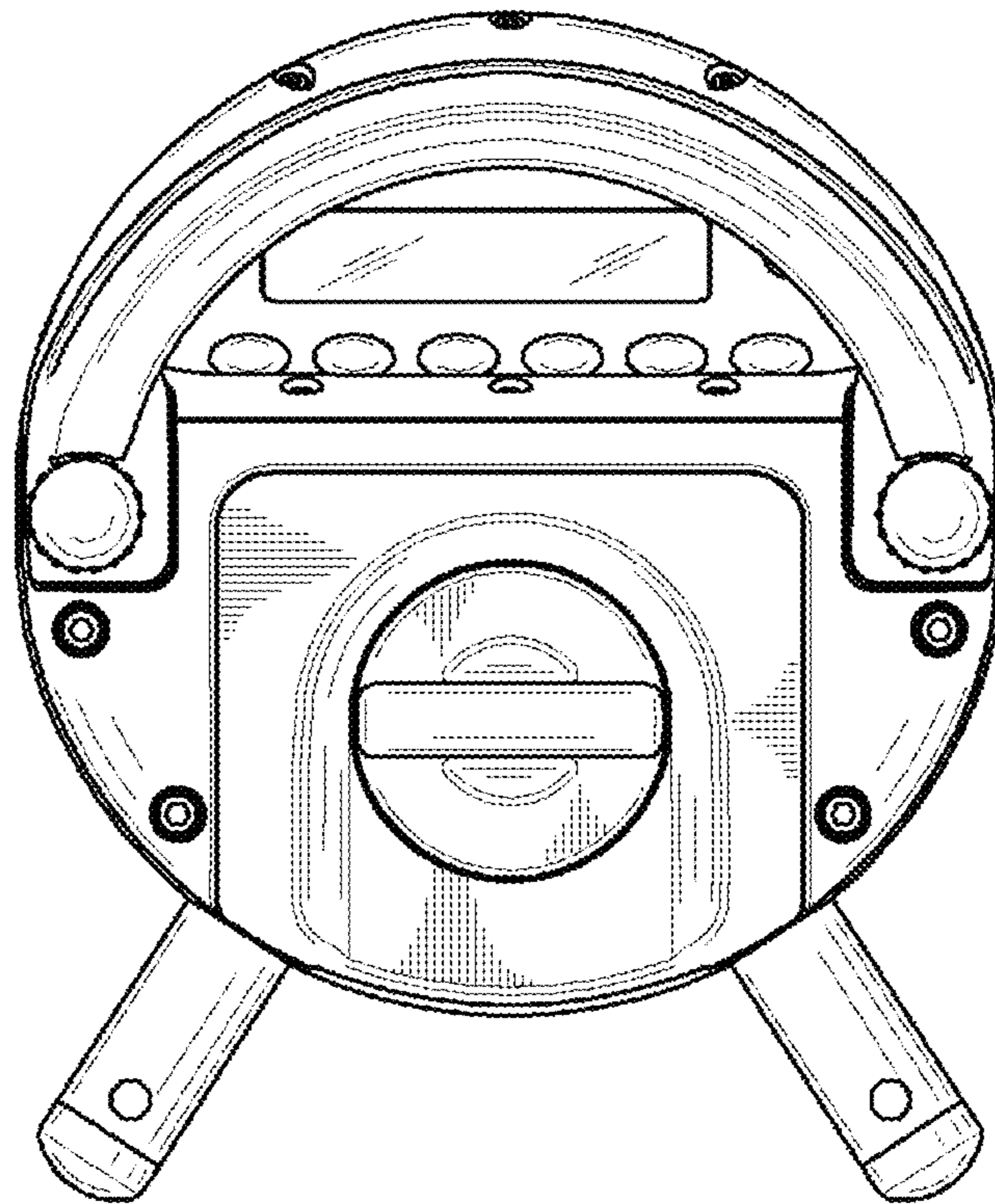
1.1



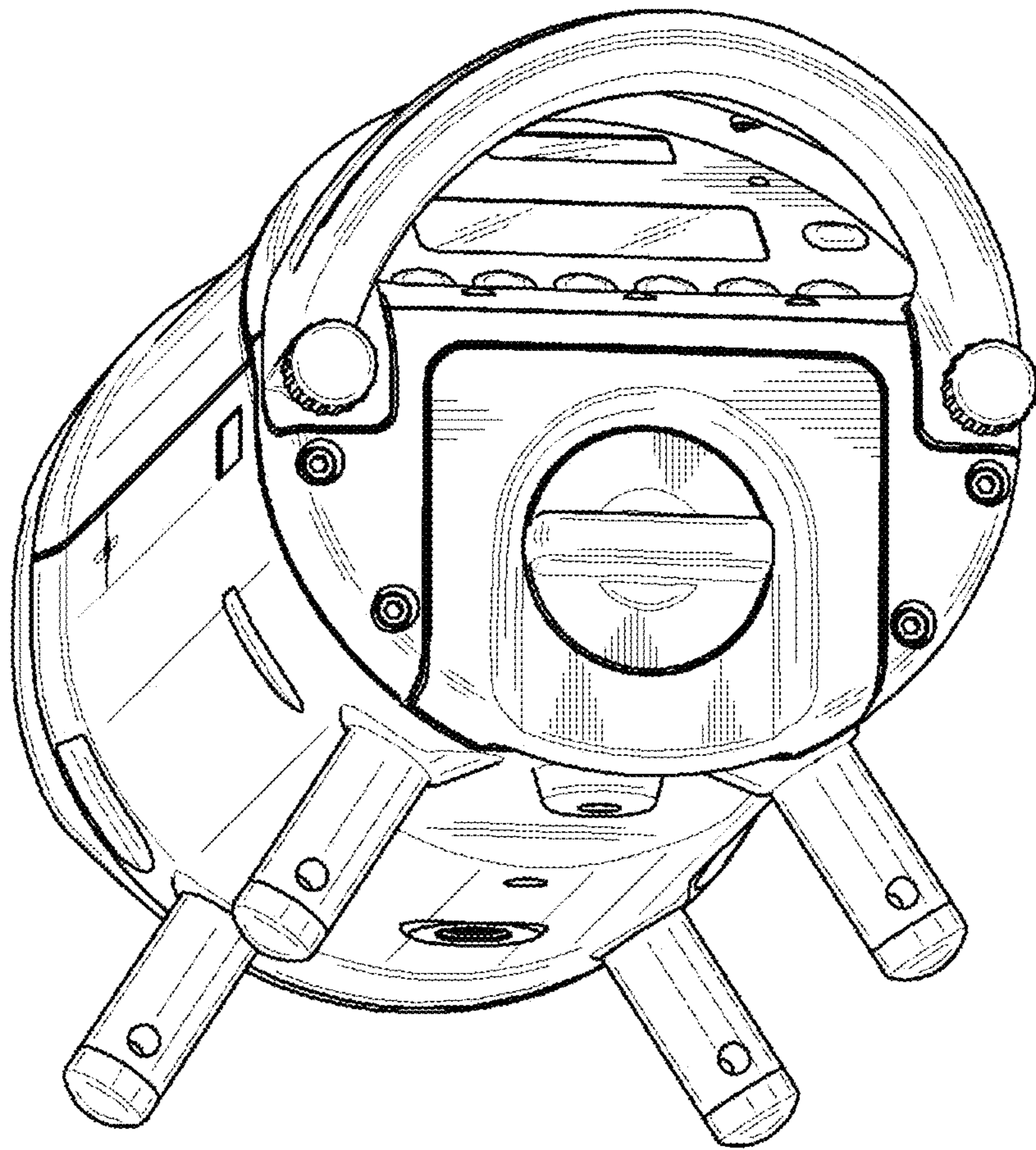
1.2



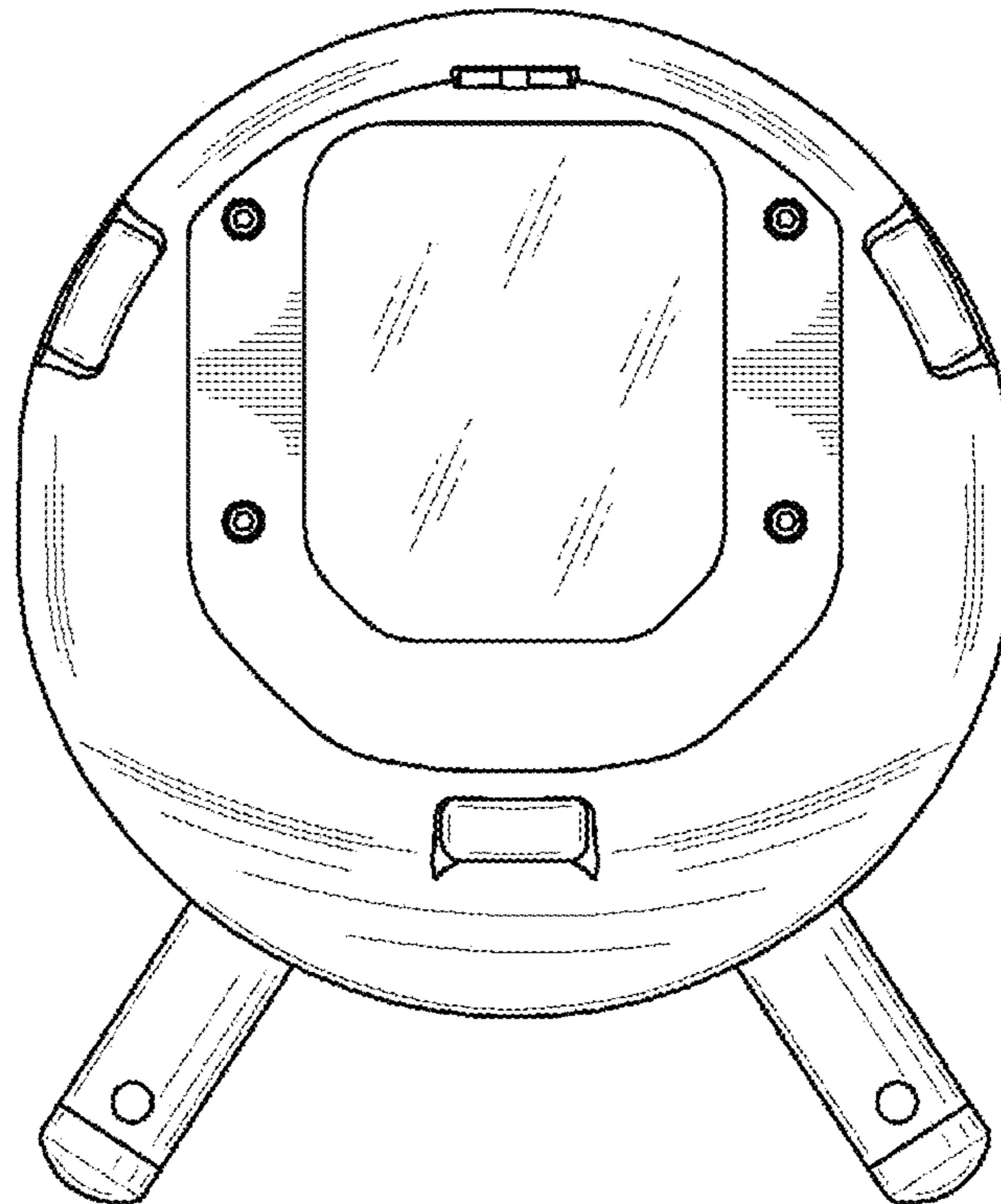
1.3



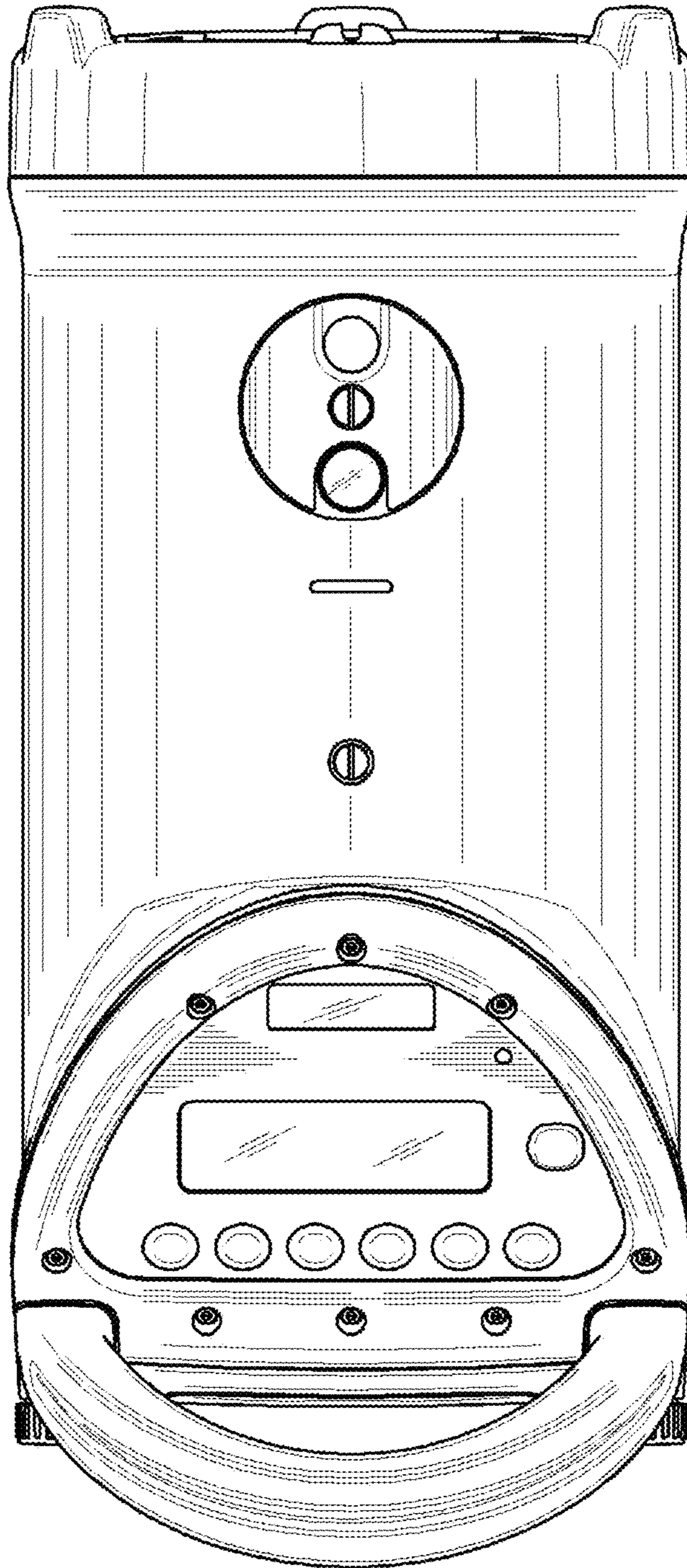
1.4



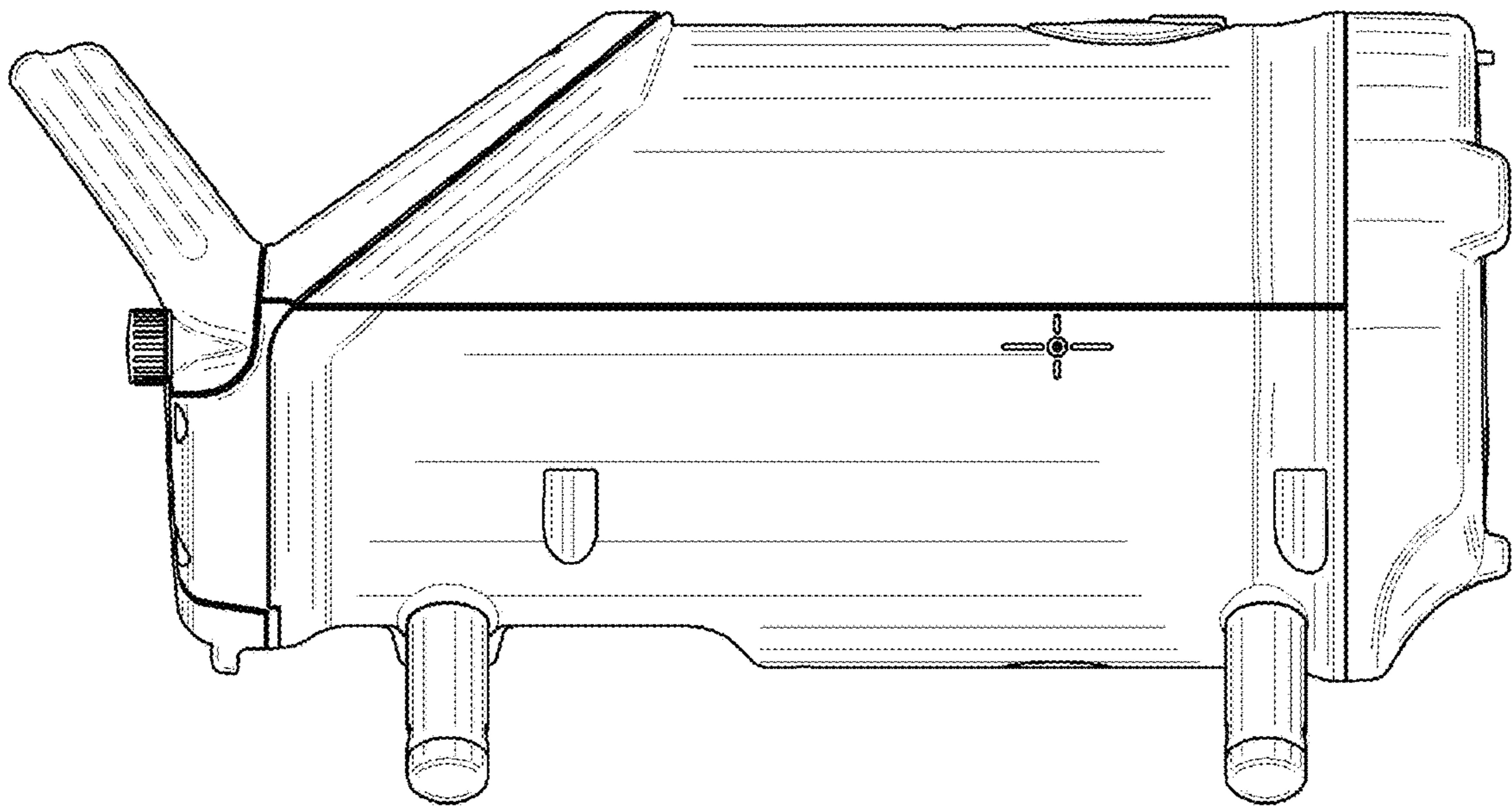
1.5



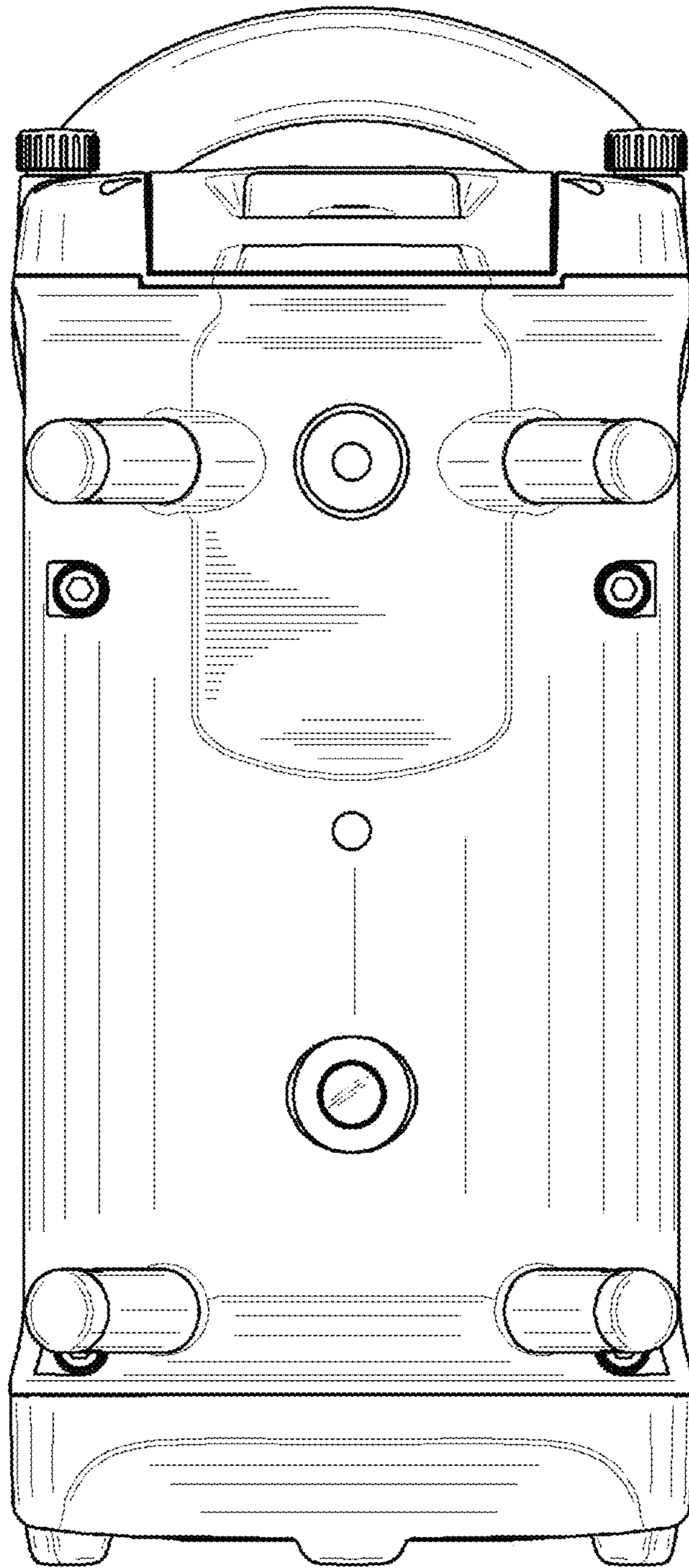
1.6



1.7



1.8



1.9

