

US00D922887S

(12) **United States Design Patent** (10) **Patent No.:** **US D922,887 S**
Zou et al. (45) **Date of Patent:** **** Jun. 22, 2021**

(54) **DIGITAL THERMOMETER**

FOREIGN PATENT DOCUMENTS

(71) Applicant: **SHENZHEN GOLDGOOD INSTRUMENT LIMITED**, Shenzhen (CN)

CN 303366673 * 9/2015
CN 305380340 * 10/2019
CN 305497475 * 12/2019
CN 305497479 * 12/2019
EM 005227527-0001 * 4/2018

(72) Inventors: **Kui Zou**, Shenzhen (CN); **San Zou**, Loudi (CN)

OTHER PUBLICATIONS

(73) Assignee: **SHENZHEN GOLDGOOD INSTRUMENT LIMITED**, Shenzhen (CN)

Amazon.com Maylibet Digital Instant Read Meat Thermometer [\(**\) Term: **15 Years**](https://www.amazon.com/dp/B07X8YN74X/ref=sspa_dk_detail_5?psc=1&pd_rd_i=B07X8YN74X&pd_rd_w=AkBq0&pf_rd_p=f0355a48-7e73-489a-9590-564e12837b93&pd_rd_wg=QqvFv&pf_rd_r=DSA6RT94VQB8VKZVXGQE&pd_rd_r=8fe95e03-53a0-4de3-ba7b-cbece05572fb&spL Sep. 4, 2019 (Year: 2019).*</p></div>
<div data-bbox=)

(21) Appl. No.: **29/709,067**

Amazon.com 1EasyLife Instant Read Meat Thermometer [\(22\) Filed: **Oct. 10, 2019**](https://www.amazon.com/dp/B07XHGZMM7/ref=sspa_dk_detail_4?psc=1&pd_rd_i=B07XHGZMM7&pd_rd_w=PoW1w&pf_rd_p=f0355a48-7e73-489a-9590-564e12837b93&pd_rd_wg=tqH5j&pf_rd_r=WXCNSS67XGYR55MF9GQD&pd_rd_r=a1401220-327e-4d23-a250-f32a Oct. 5, 2019 (Year: 2019).*</p></div>
<div data-bbox=)

(51) **LOC (13) Cl.** **10-04**

(52) **U.S. Cl.**
USPC **D10/57**

(58) **Field of Classification Search**
USPC D10/46, 52, 57
CPC G01K 1/02; G01K 1/022; G01K 1/024; G01K 1/028; G01K 1/08; G01K 1/083; G01K 1/086; G01K 7/16; G01K 2207/02; G01K 2207/04; G01K 2207/06; G01K 2207/08; G01K 3/00-14

* cited by examiner

Primary Examiner — Leanne Was-Englehart

See application file for complete search history.

(57) **CLAIM**

The ornamental design for a digital thermometer, as shown and described.

DESCRIPTION

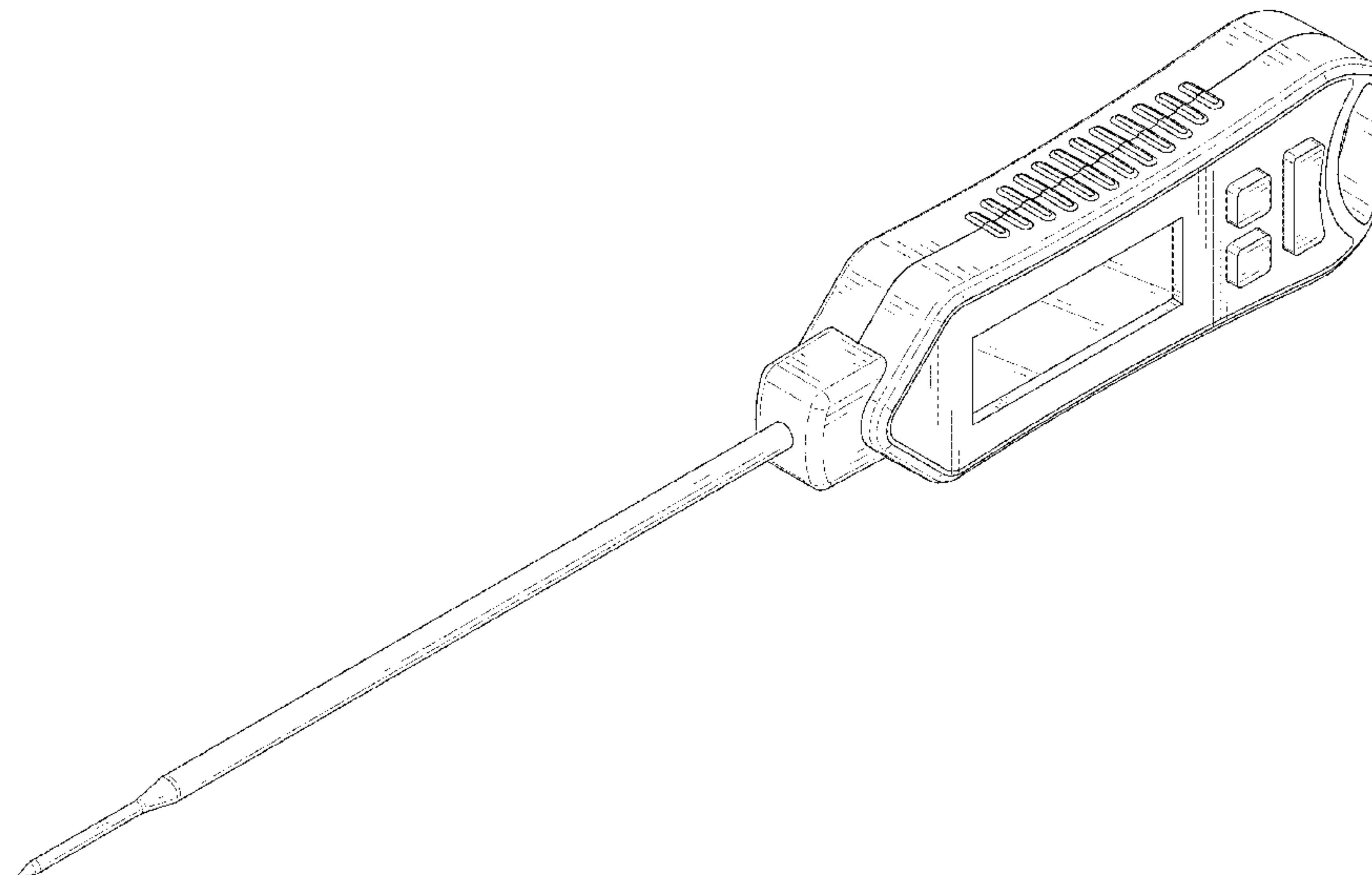
(56) **References Cited**

U.S. PATENT DOCUMENTS

D236,814 S * 9/1975 Sato D10/57
D254,725 S * 4/1980 Rawson D10/103
D254,726 S * 4/1980 Hirsch D10/103
D297,819 S * 9/1988 Cacciatore D10/103
5,018,875 A * 5/1991 Cook G01K 1/028
374/163
D795,098 S * 8/2017 Alla D10/57
D884,499 S * 5/2020 Yi D10/57
D890,001 S * 7/2020 Wang D10/57

FIG. 1 is a perspective view of a digital thermometer showing my new design;
FIG. 2 is another perspective view thereof;
FIG. 3 is a front elevational view thereof;
FIG. 4 is a rear elevational view thereof;
FIG. 5 is a left side elevational view thereof;
FIG. 6 is a right side elevational view thereof;
FIG. 7 is a top plan view thereof; and,
FIG. 8 is a bottom plan view thereof.

1 Claim, 8 Drawing Sheets



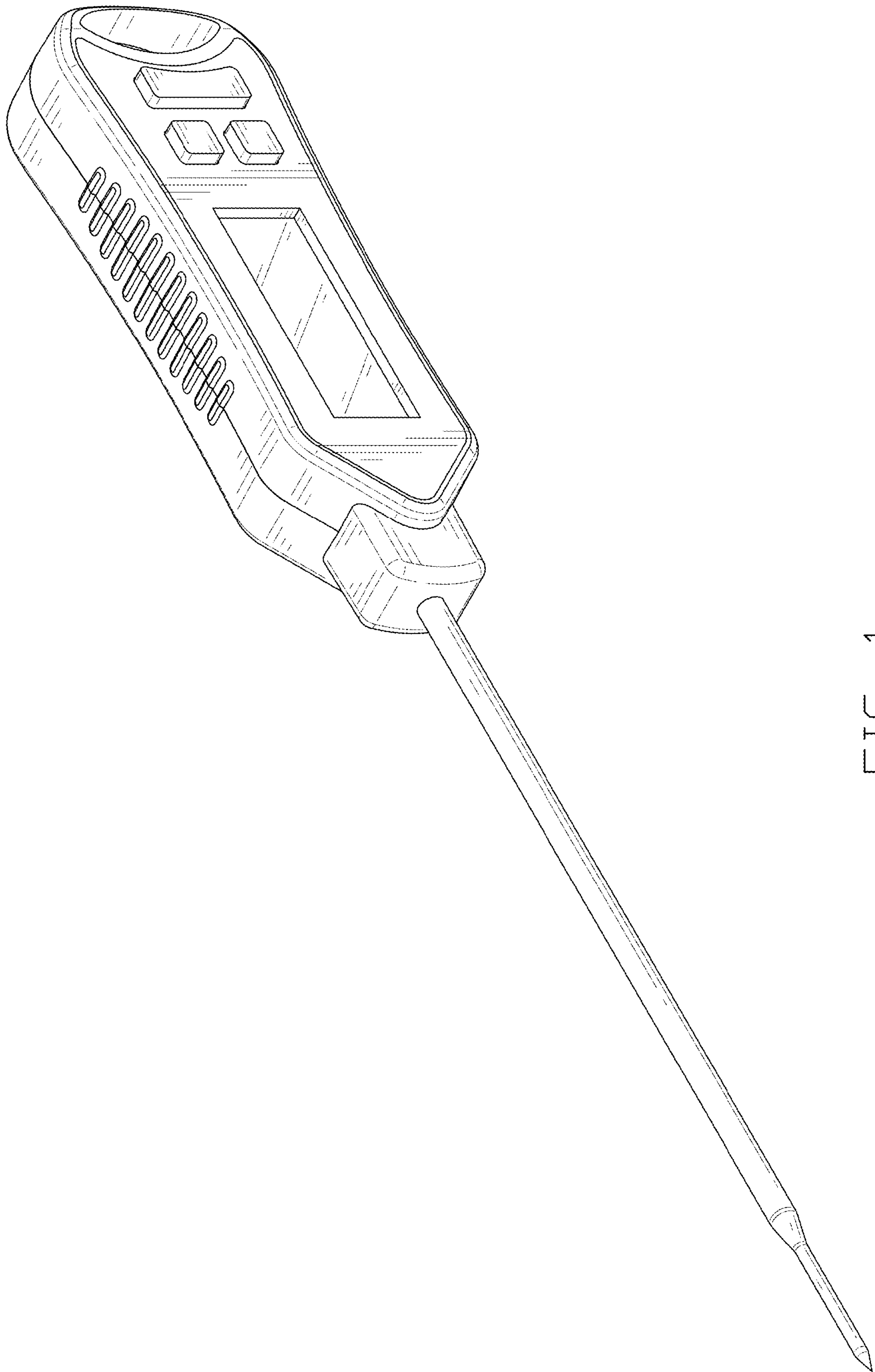


FIG. 1

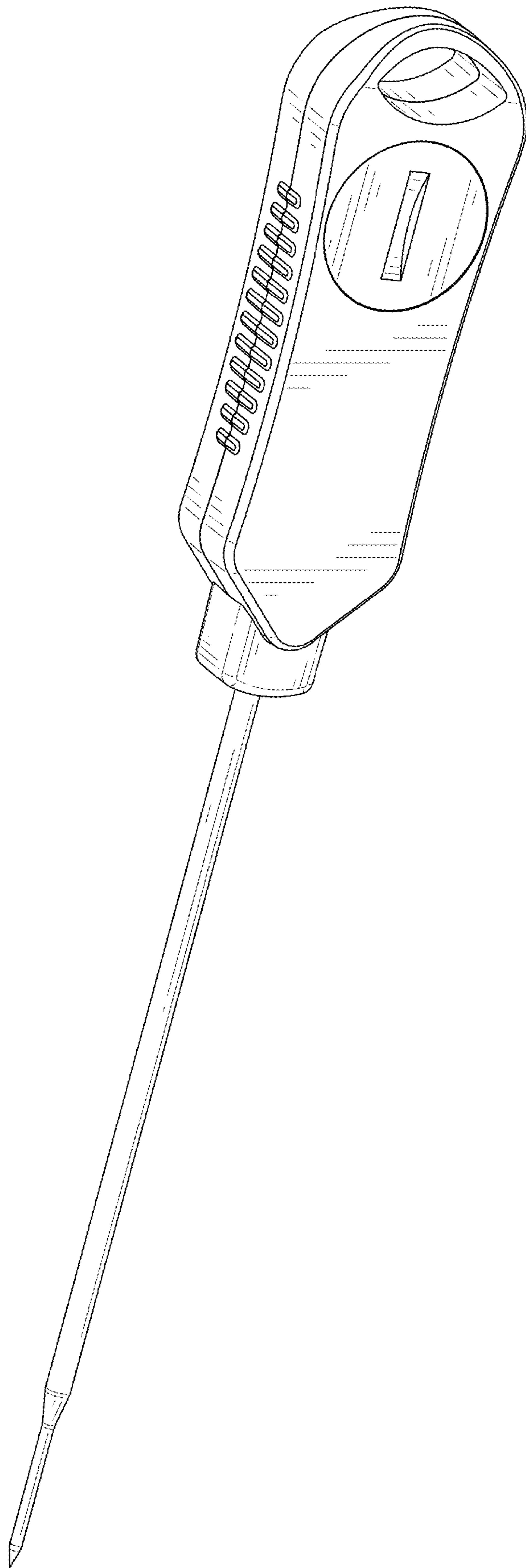


FIG. 2

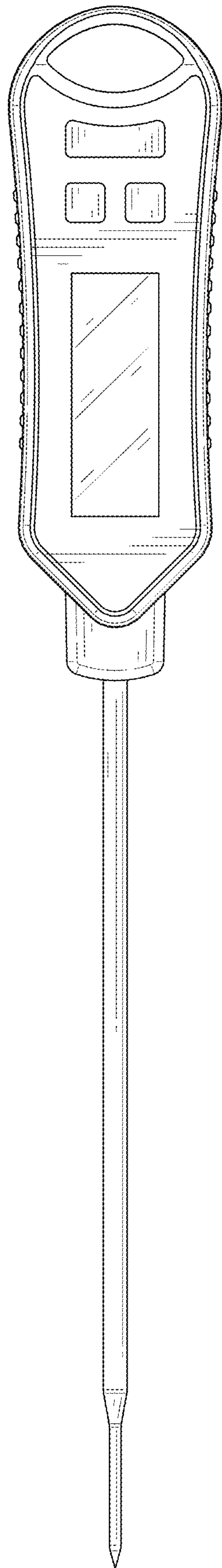


FIG. 3

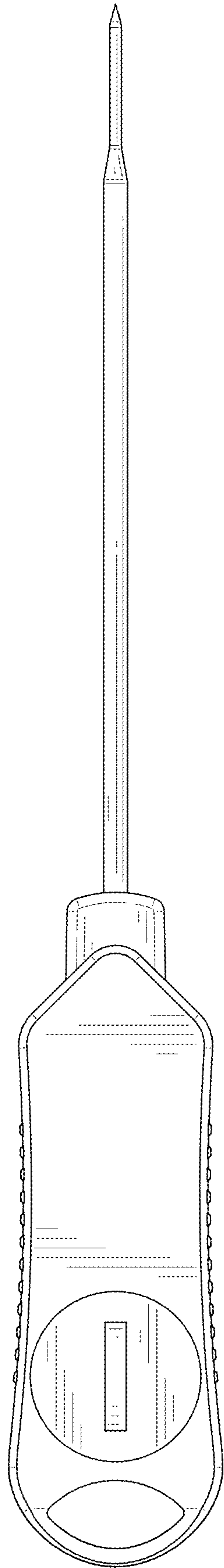


FIG. 4

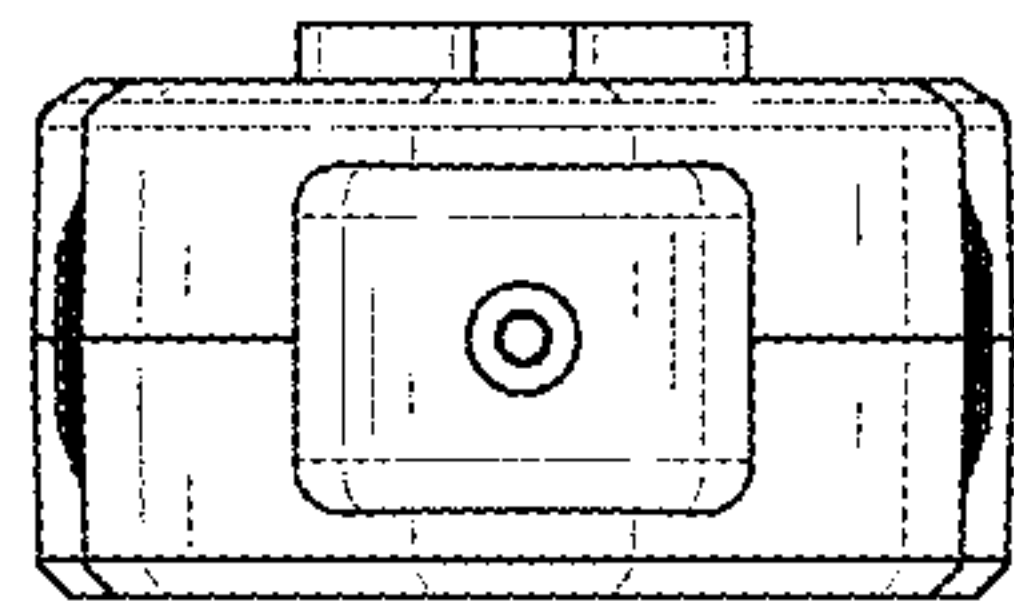


FIG. 5

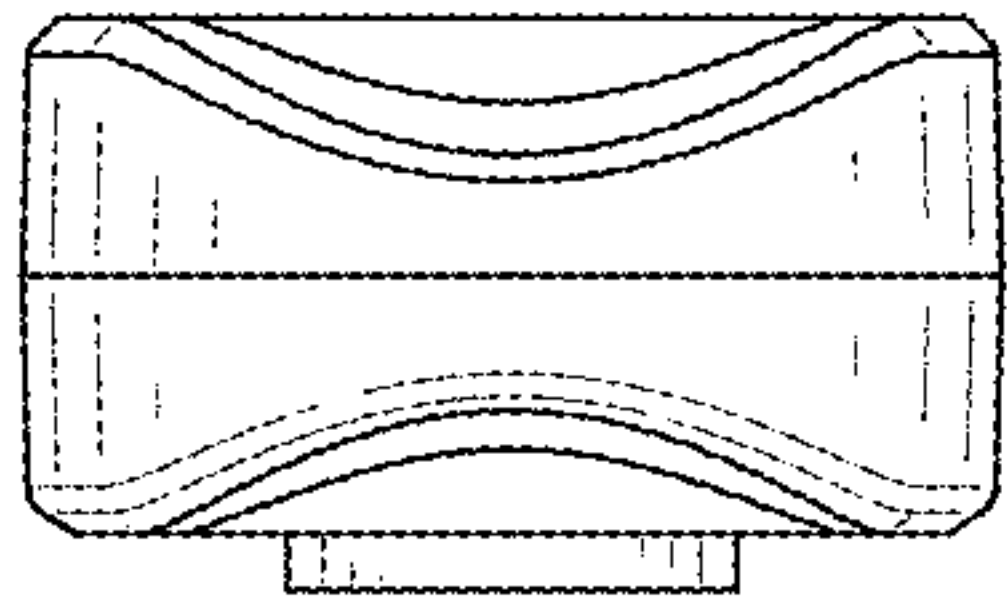


FIG. 6

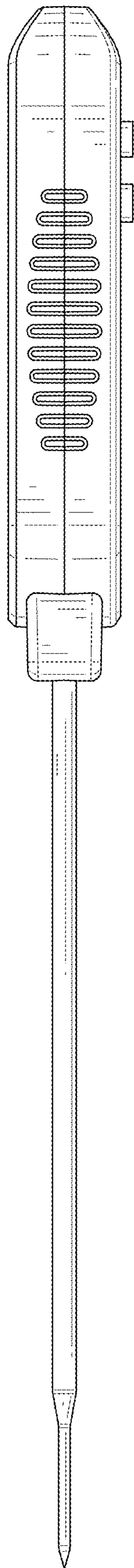


FIG. 7

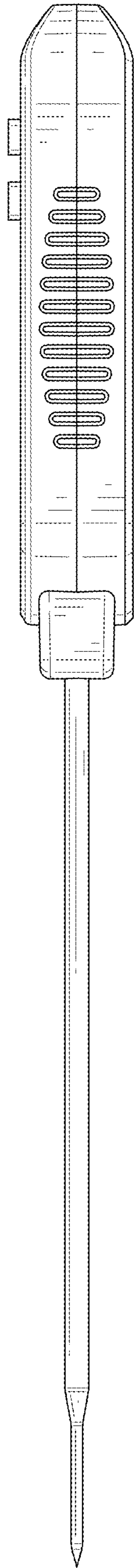


FIG. 8