



US00D922885S

(12) **United States Design Patent** (10) **Patent No.:** **US D922,885 S**
Olsson et al. (45) **Date of Patent:** **** Jun. 22, 2021**

(54) **BURIED UTILITY LOCATOR**

(71) Applicant: **SeeScan, Inc.**, San Diego, CA (US)

(72) Inventors: **Mark S. Olsson**, La Jolla, CA (US);
Michael J. Martin, San Diego, CA (US)

(73) Assignee: **SEESCAN, INC.**, San Diego, CA (US)

(**) Term: **15 Years**

(21) Appl. No.: **29/692,937**

(22) Filed: **May 29, 2019**

3/22; G01V 3/24; G01V 3/26; G01V 3/265; G01V 3/28; G01V 3/30; G01V 3/32; G01V 3/34; G01V 3/36; G01V 3/38; G01V 3/40; F16L 55/28; F16L 55/30; F16L 55/46; F16L 55/40; F16L 2101/30; G01M 3/005; G01M 3/246; G01M 3/38; G03B 37/005; B08B 9/045; B65H 61/00; B65H 75/364; G01N 3/02; G01N 21/954; G01N 29/0654; G01N 29/265; G01N 2021/9544; G01N 2291/2636; G01S 7/03; G01S 13/88; G01S 13/885; G06F 3/016; G06F 3/0346; H04N 7/185

See application file for complete search history.

Related U.S. Application Data

(60) Continuation of application No. 13/584,799, filed on Aug. 13, 2012, now abandoned, which is a continuation of application No. 12/263,289, filed on Oct. 31, 2008, now Pat. No. 8,248,056, which is a continuation of application No. 11/962,870, filed on Dec. 21, 2007, now Pat. No. 7,498,797, which is a continuation-in-part of application No. 11/242,750, filed on Oct. 4, 2005, now abandoned, which is a division of application No. 11/106,894, filed on Apr. 15, 2005, now Pat. No. 7,332,901, and a

(Continued)

(51) **LOC (13) Cl.** **10-04**

(52) **U.S. Cl.**
USPC **D10/47**

(58) **Field of Classification Search**
USPC D10/47

CPC ... G01V 3/00; G01V 3/02; G01V 3/04; G01V 3/06; G01V 3/08; G01V 3/081; G01V 3/082; G01V 3/083; G01V 2003/084; G01V 2003/085; G01V 2003/086; G01V 3/087; G01V 3/088; G01V 3/10; G01V 3/101; G01V 3/102; G01V 3/104; G01V 3/105; G01V 3/107; G01V 3/108; G01V 3/12; G01V 3/14; G01V 3/15; G01V 3/16; G01V 3/165; G01V 3/17; G01V 3/175; G01V 3/18; G01V 3/20; G01V

(56) **References Cited**

U.S. PATENT DOCUMENTS

D496,292 S * 9/2004 Sowers D10/47
D684,067 S * 6/2013 Nielsen D10/47
10,024,994 B1 * 7/2018 Cox G01V 3/165

(Continued)

Primary Examiner — Antoine Duval Davis

(74) *Attorney, Agent, or Firm* — Steven C. Tietsworth, Esq.

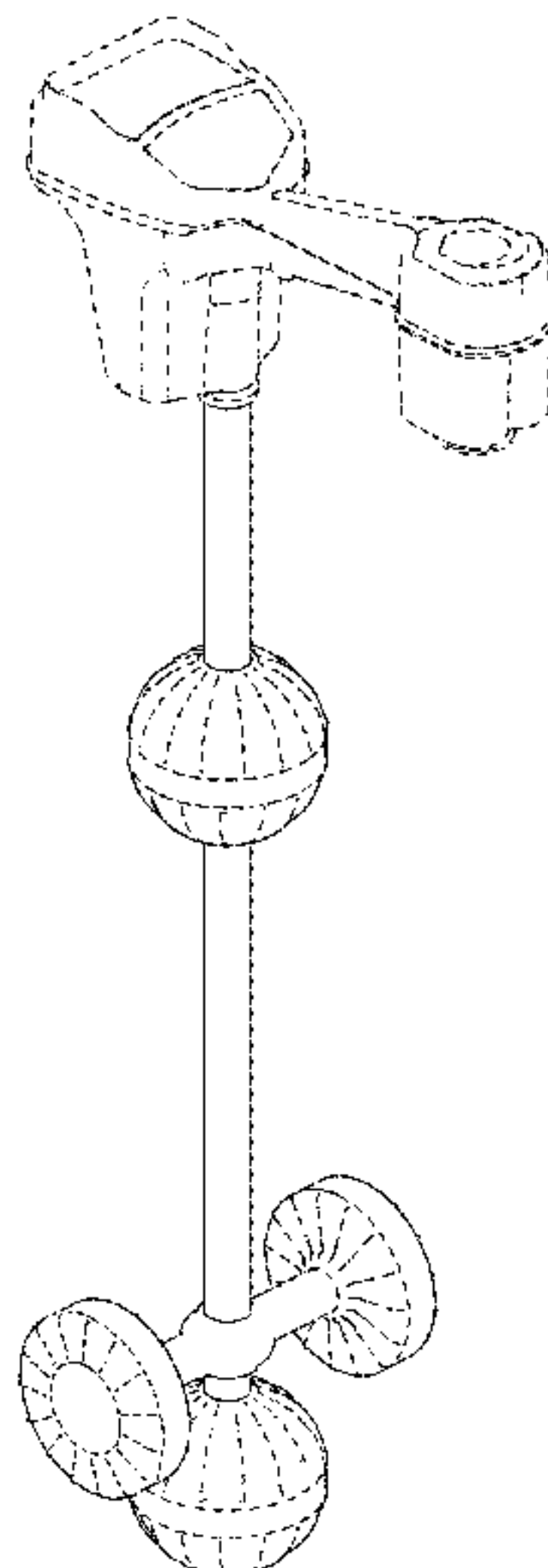
(57) **CLAIM**

The ornamental design for a buried utility locator, as shown and described.

DESCRIPTION

FIG. 1 is perspective view of our locator;
FIG. 2 is a top view thereof;
FIG. 3 is a bottom view thereof;
FIG. 4 is a front view thereof;
FIG. 5 is a back view thereof;
FIG. 6 is a left view thereof; and,
FIG. 7 is a right view thereof.
None of the broken lines form a part of the claimed design.

1 Claim, 7 Drawing Sheets



Related U.S. Application Data

continuation-in-part of application No. 10/268,641,
filed on Oct. 9, 2002, now Pat. No. 7,009,399.

(56)

References Cited

U.S. PATENT DOCUMENTS

10,809,408	B1 *	10/2020	Olsson	G01V 11/00
2013/0207791	A1 *	8/2013	Olsson	G01V 3/081
				340/407.1
2016/0141766	A1 *	5/2016	Olsson	H01Q 21/205
				343/728
2017/0084052	A1 *	3/2017	Olsson	G01B 11/002

* cited by examiner

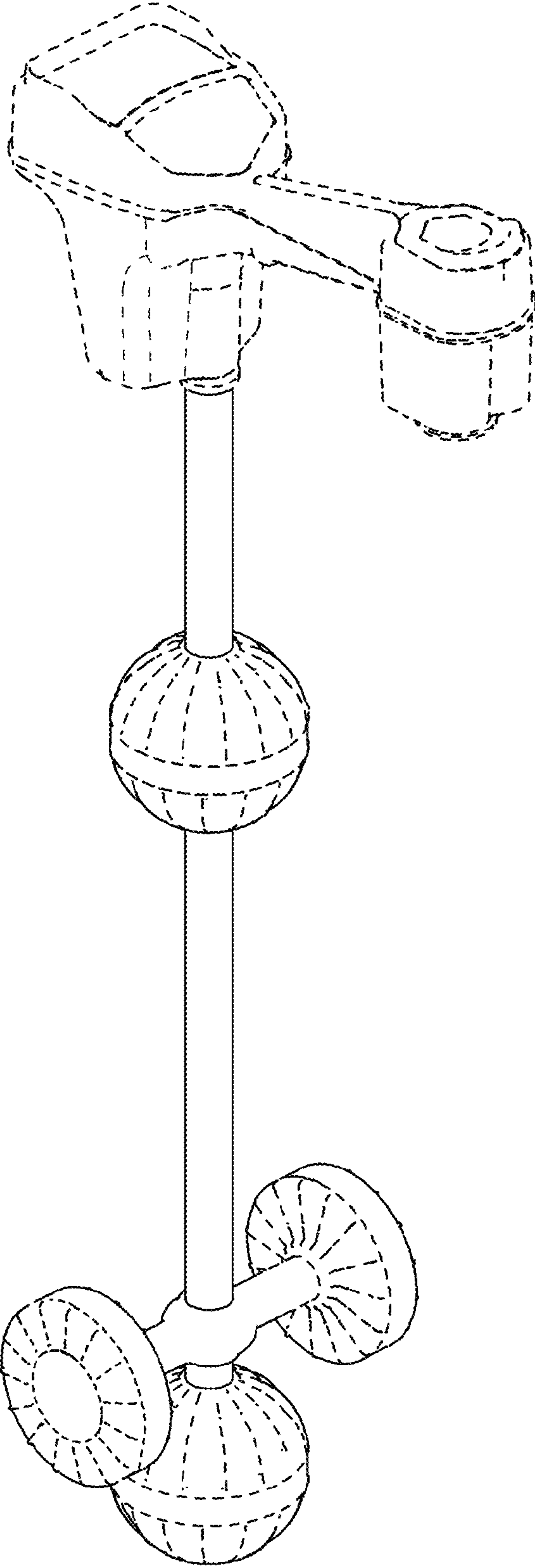


FIG. 1

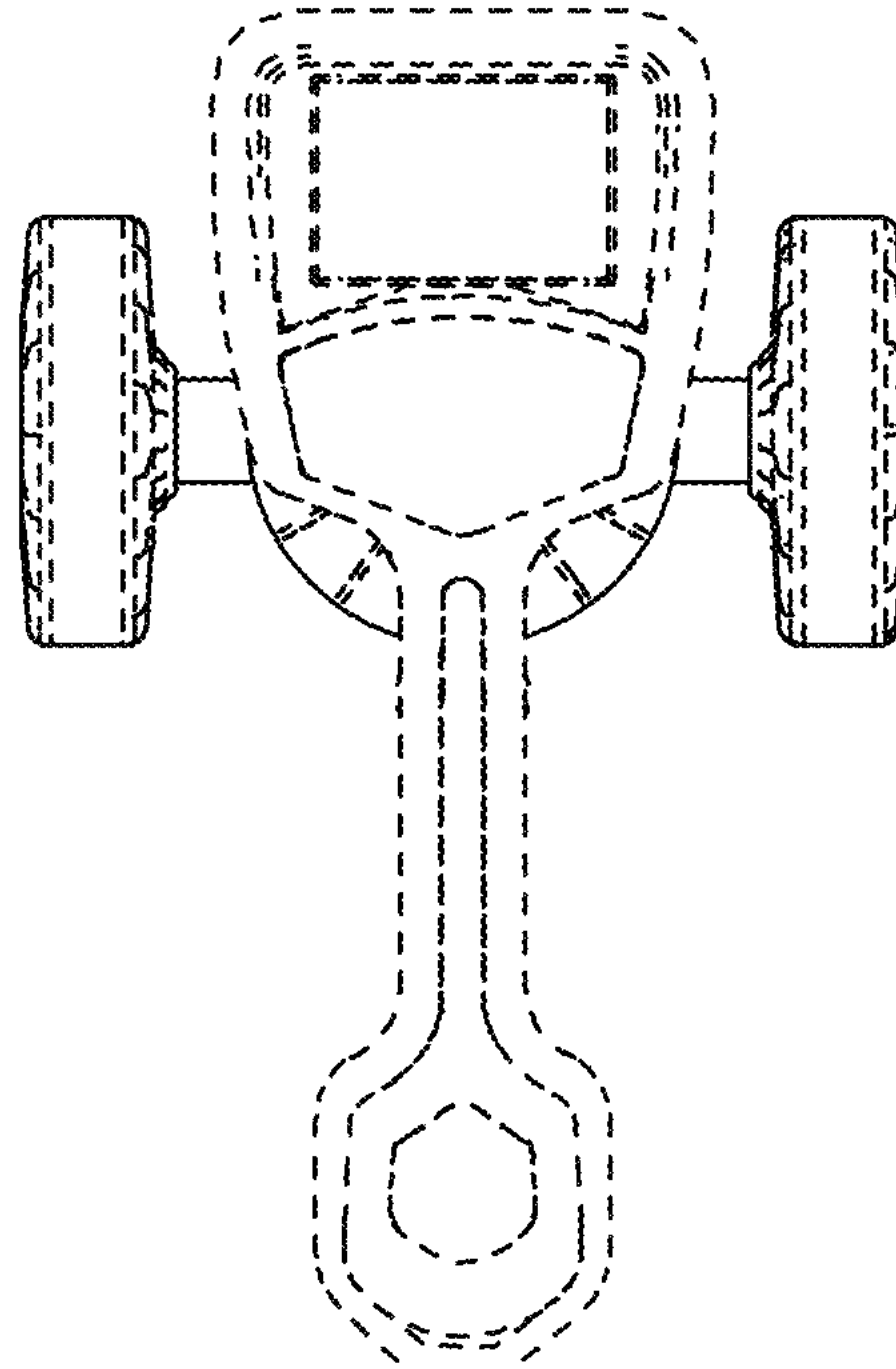


FIG. 2

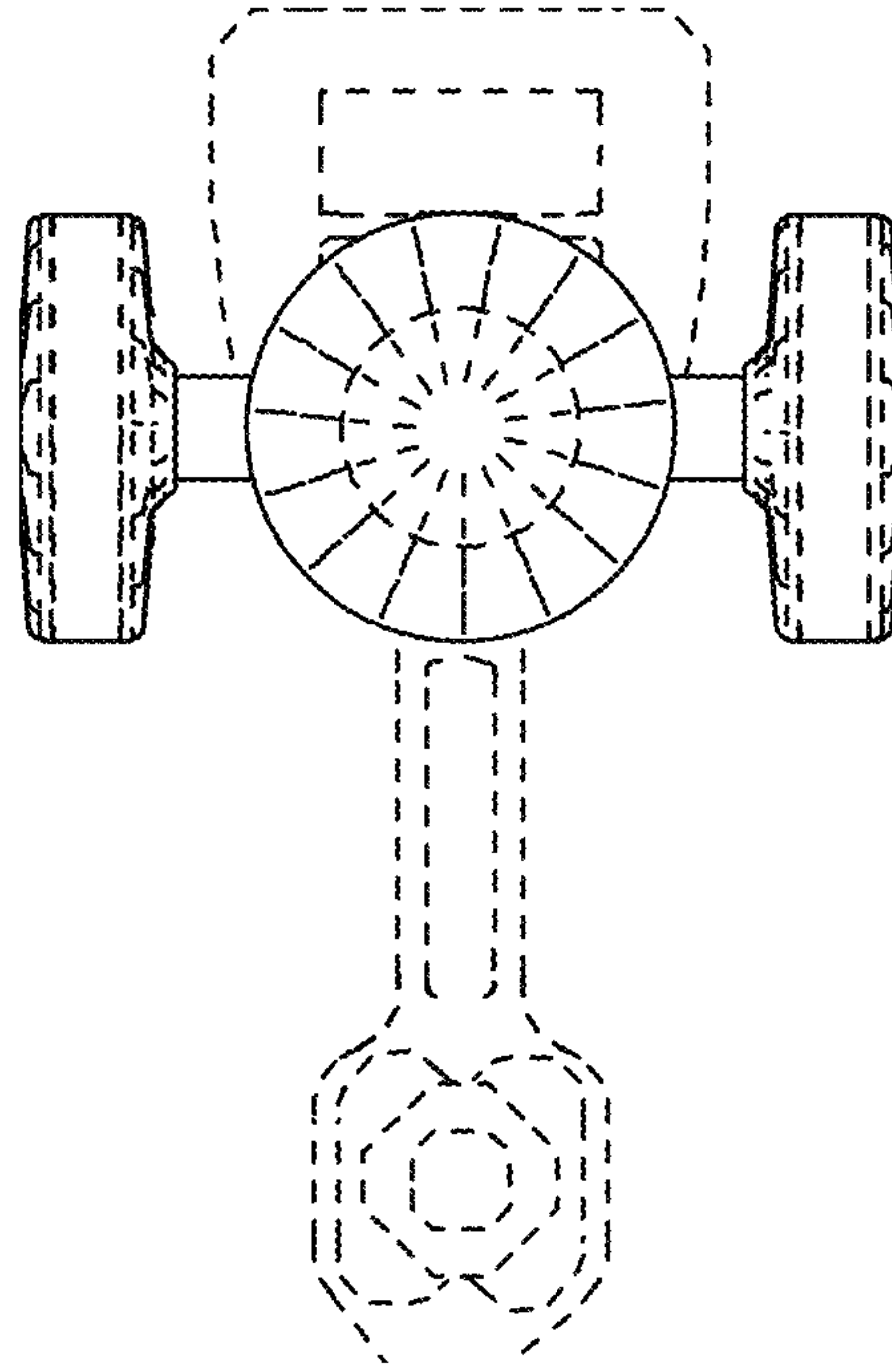


FIG. 3

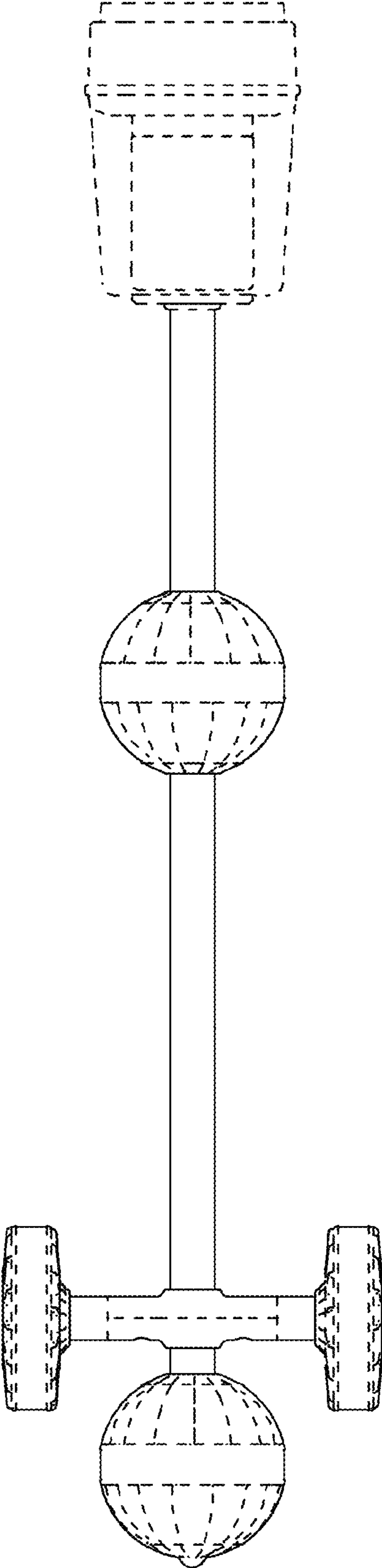


FIG. 4

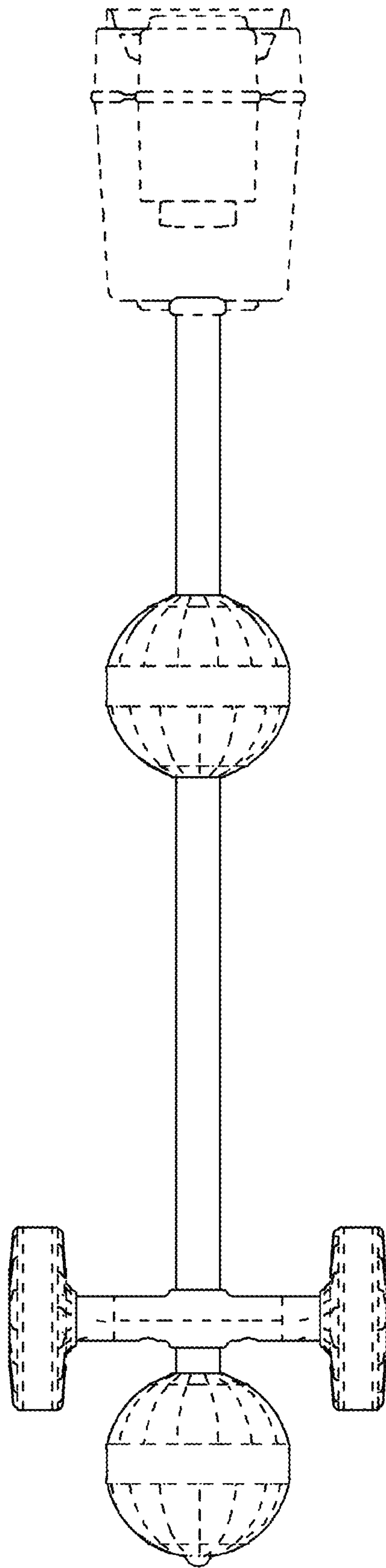


FIG. 5

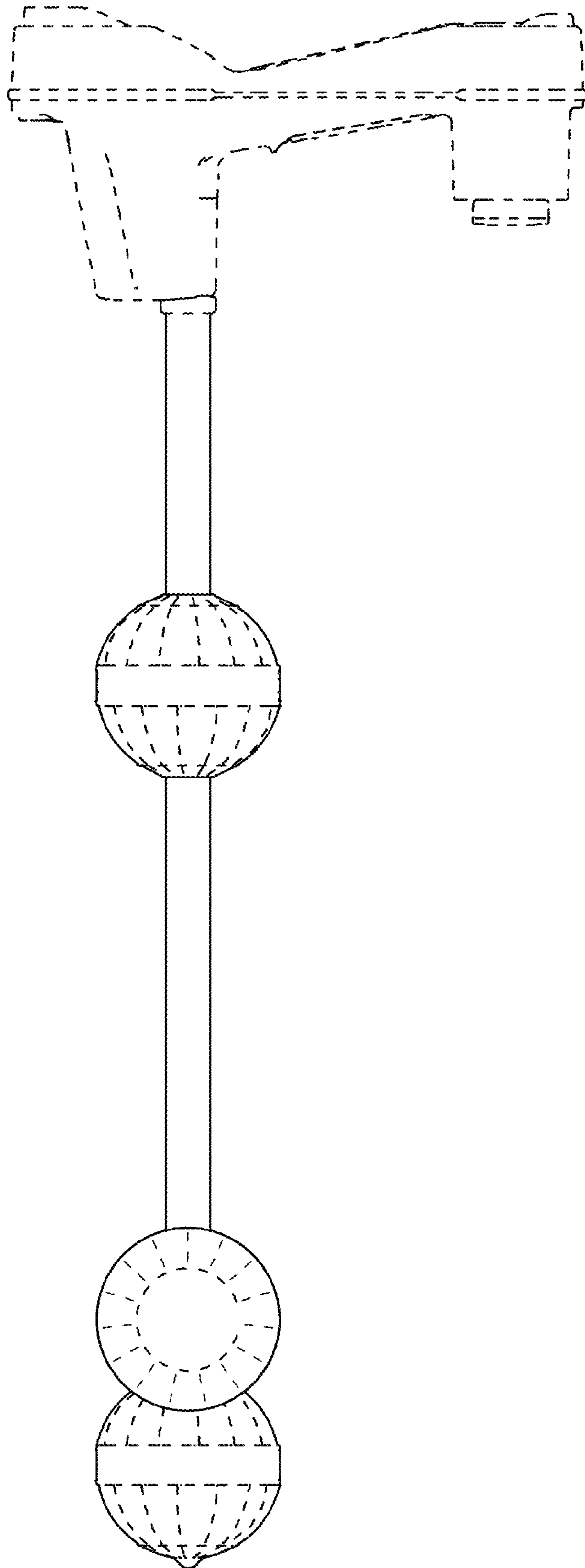


FIG. 6

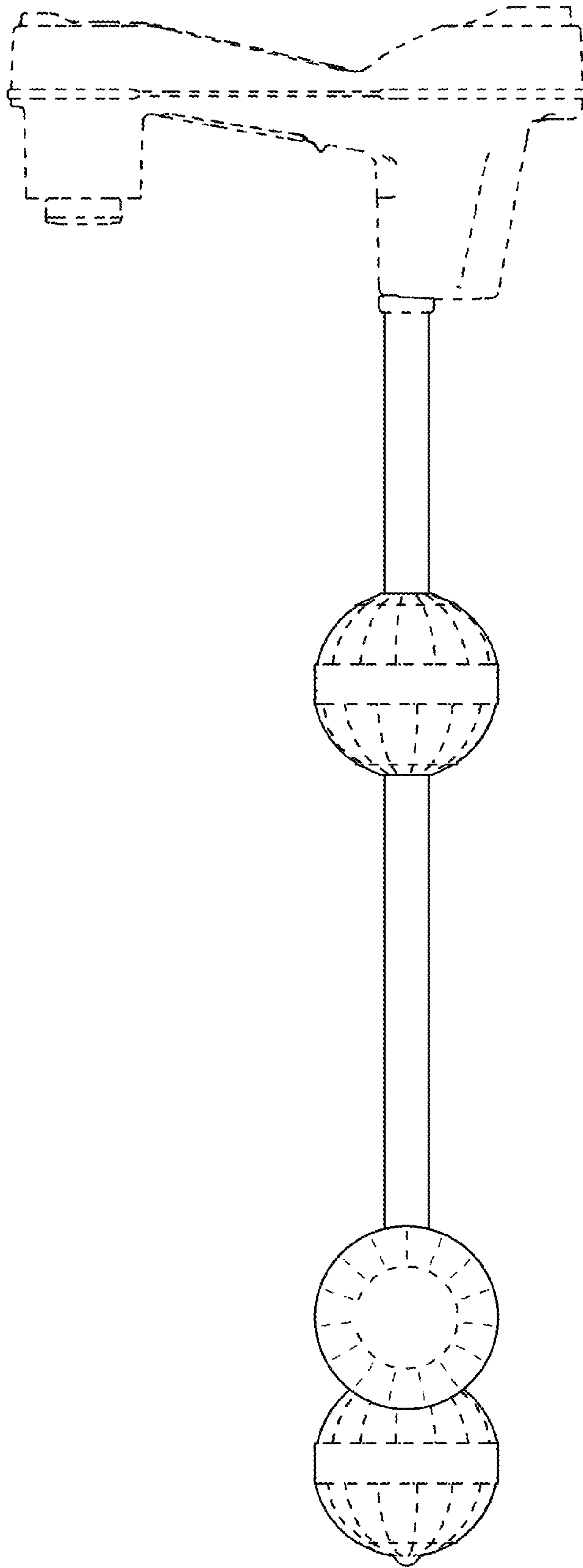


FIG. 7