



US00D922883S

(12) **United States Design Patent**
Tabbah

(10) **Patent No.:** **US D922,883 S**

(45) **Date of Patent:** **** Jun. 22, 2021**

(54) **WATCH WITH BRACELET**

(71) Applicant: **LUXART 1862 SA**, Carouge (CH)

(72) Inventor: **Nagib Tabbah**, Beyrouth (LB)

(**) Term: **15 Years**

(21) Appl. No.: **35/509,254**

(22) Filed: **Oct. 30, 2019**

(80) **Hague Agreement Data**

Int. Filing Date: **Oct. 30, 2019**

Int. Reg. No.: **DM/206113**

Int. Reg. Date: **Oct. 30, 2019**

Int. Reg. Pub. Date: **May 1, 2020**

(51) **LOC (13) Cl.** **10-02**

(52) **U.S. Cl.**
USPC **D10/32**

(58) **Field of Classification Search**
USPC D10/31, 32, 39; D14/344; D24/186
CPC G04B 37/04; G04G 17/08; G04G 17/00
See application file for complete search history.

(56) **References Cited**

U.S. PATENT DOCUMENTS

D411,116 S * 6/1999 Bodino D10/32
D456,283 S * 4/2002 Baumann D10/32

D564,367 S * 3/2008 Molyneux D10/31
D593,877 S * 6/2009 Jorst D10/32
D593,878 S * 6/2009 Jorst D10/32
D729,650 S * 5/2015 Phillips D10/70
D846,747 S * 4/2019 Lillquist D24/186
D916,081 S * 4/2021 Zou D14/344

* cited by examiner

Primary Examiner — George D. Kirschbaum

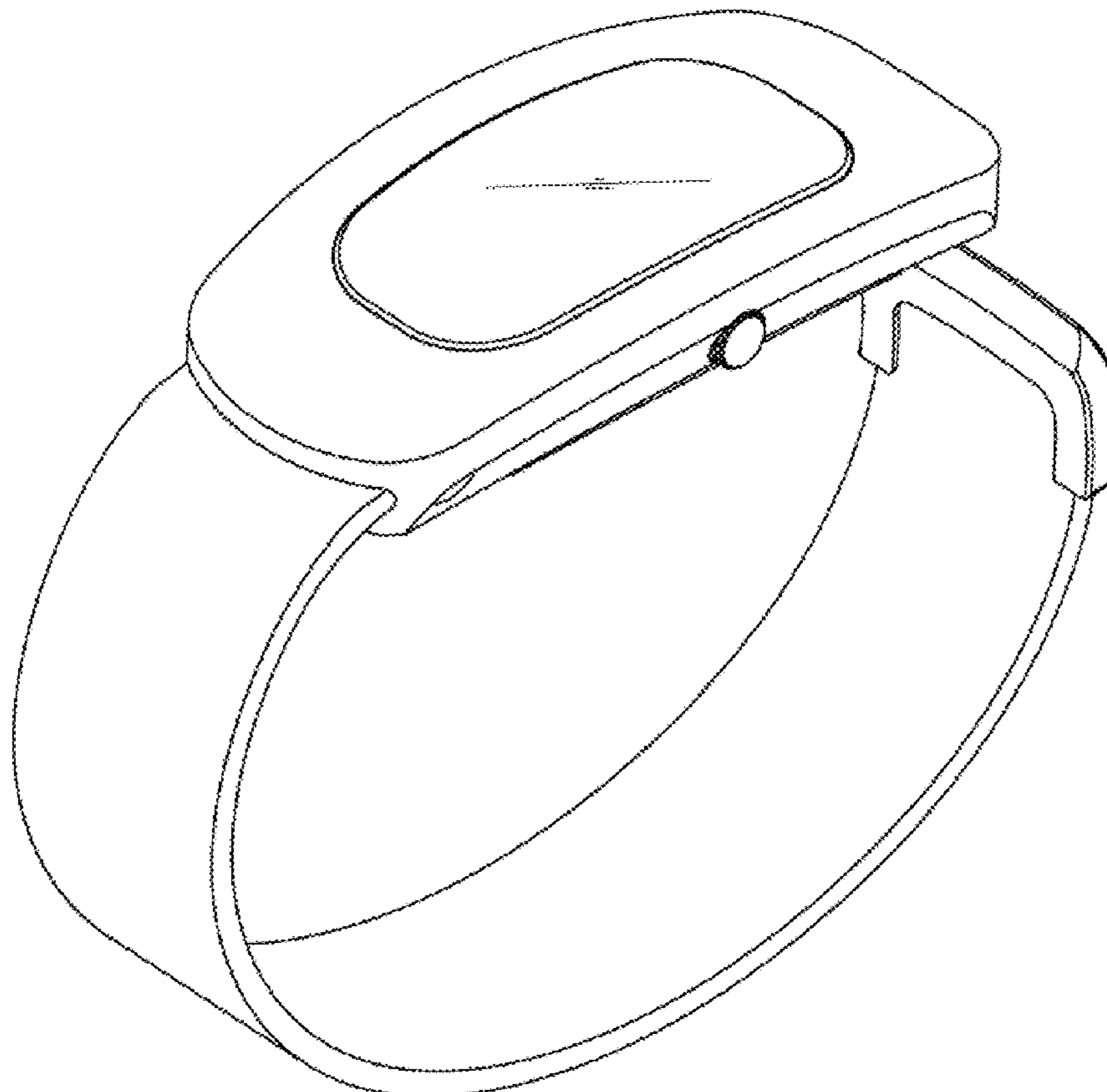
(57) **CLAIM**

The ornamental design for watch with bracelet, as shown and described.

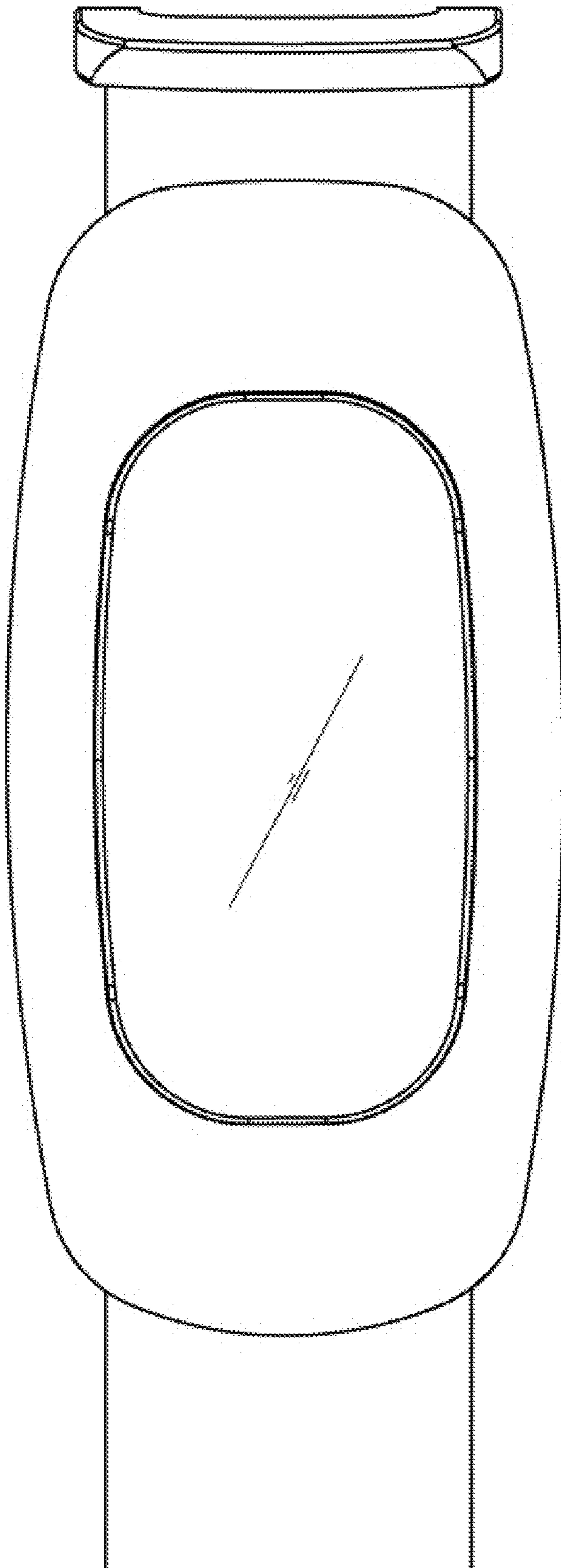
DESCRIPTION

- 1. Watch with bracelet
- 1.1 is a top view.
- 1.2 is a bottom view.
- 1.3 is a left side view.
- 1.4 is a right side view.
- 1.5 is a back side view.
- 1.6 is a front view.
- 1.7 is a top perspective view.

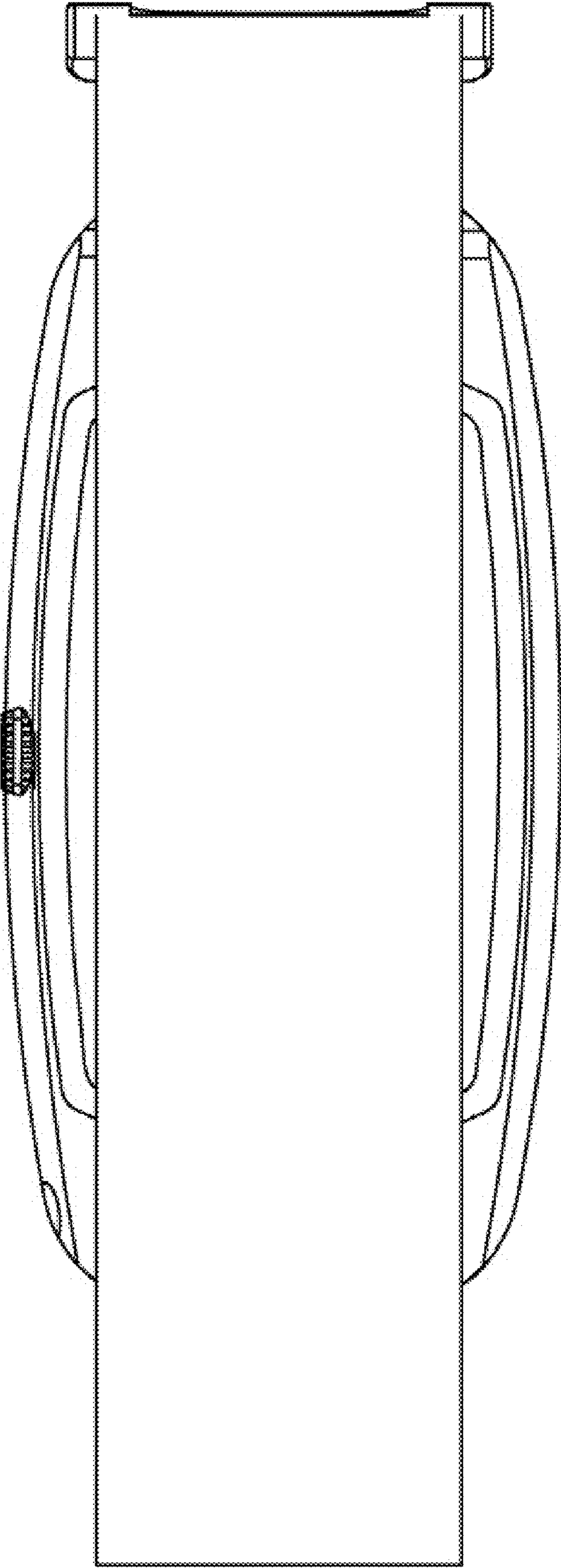
1 Claim, 7 Drawing Sheets



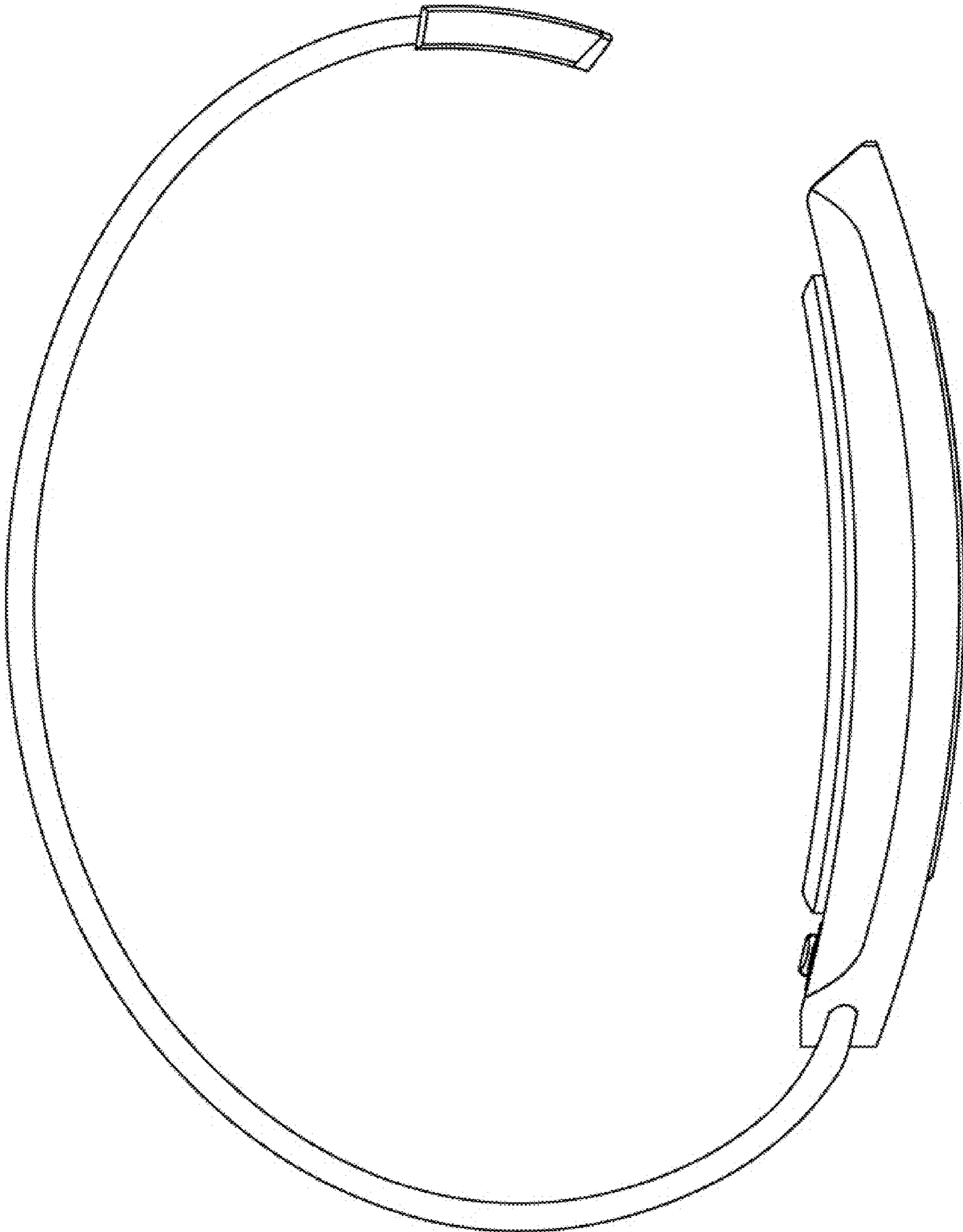
1.1



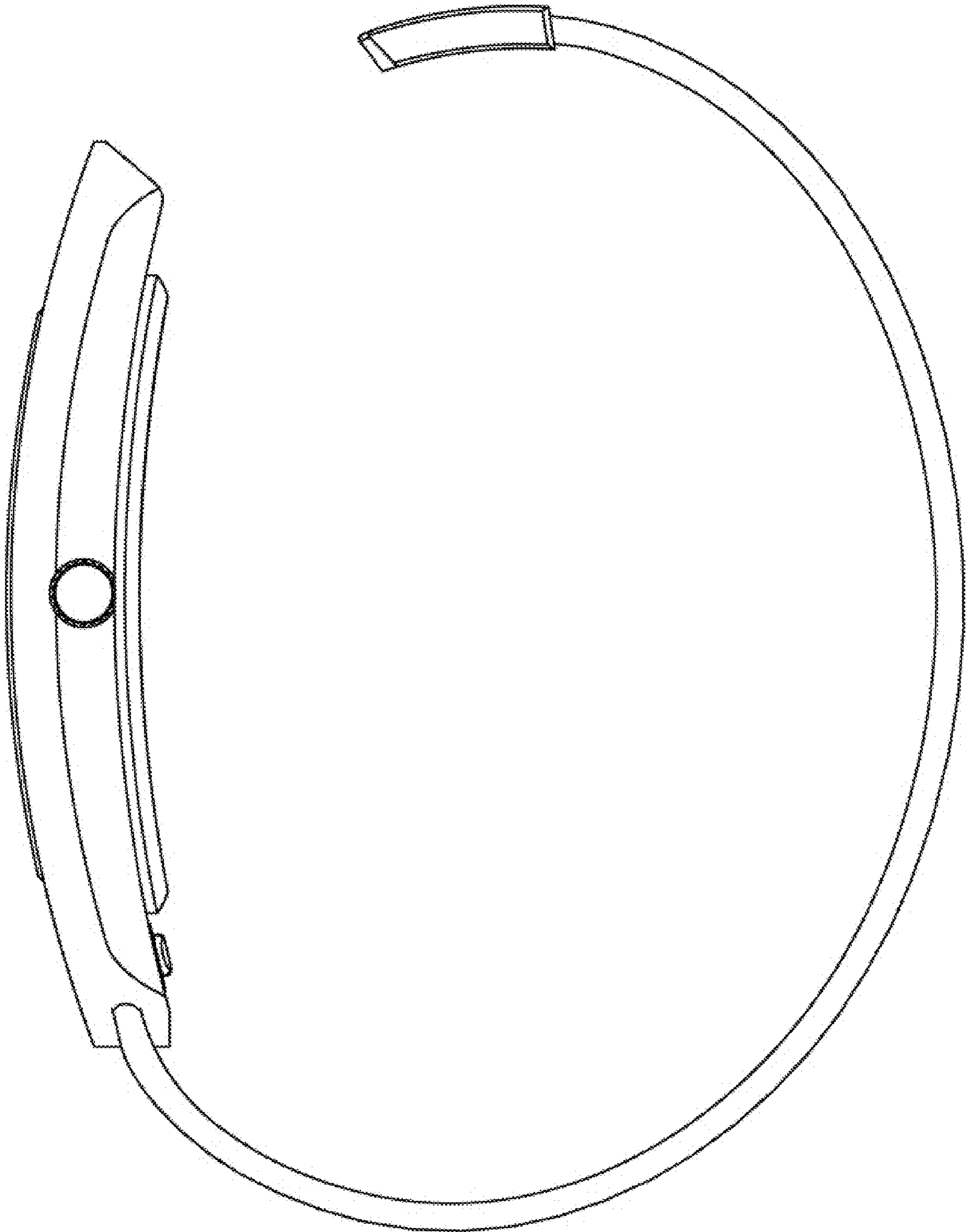
1.2



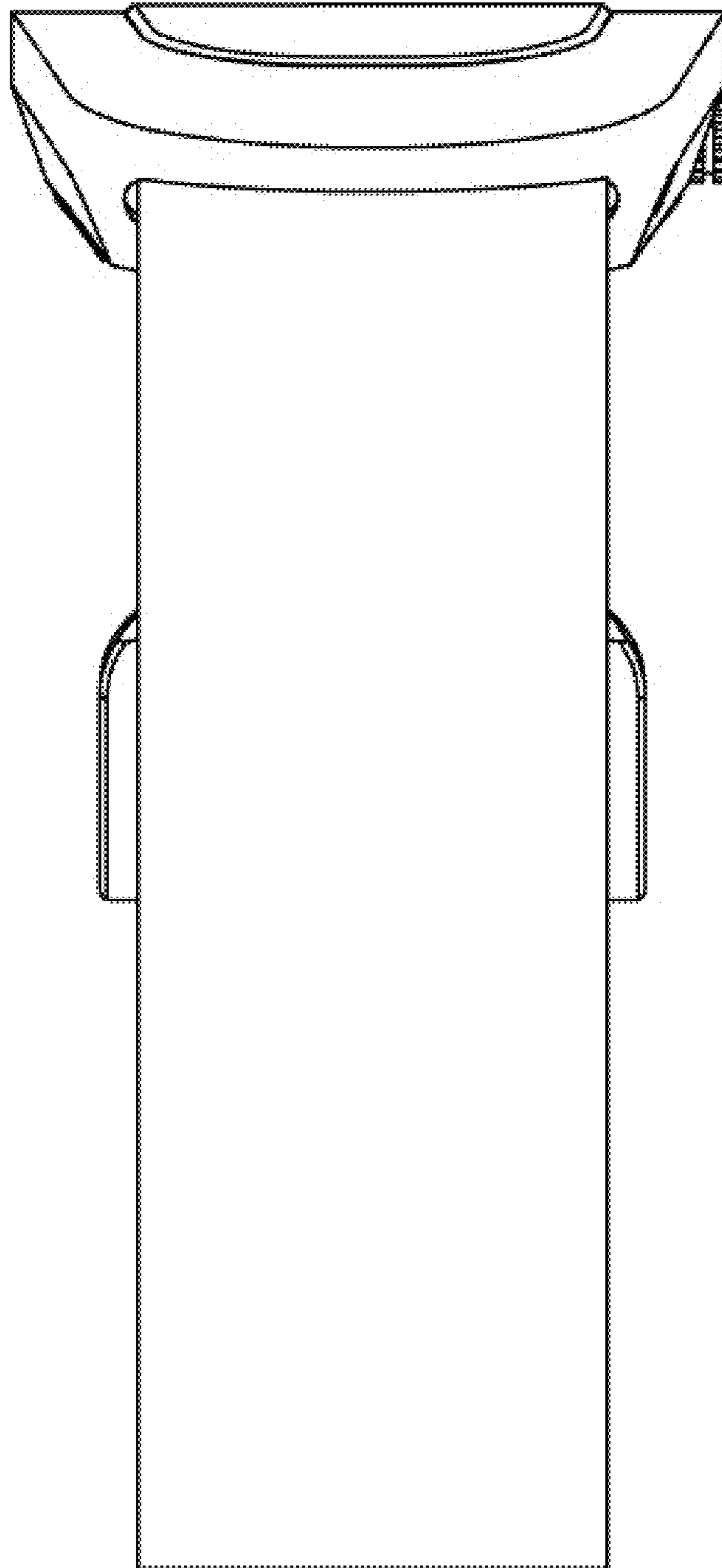
1.3



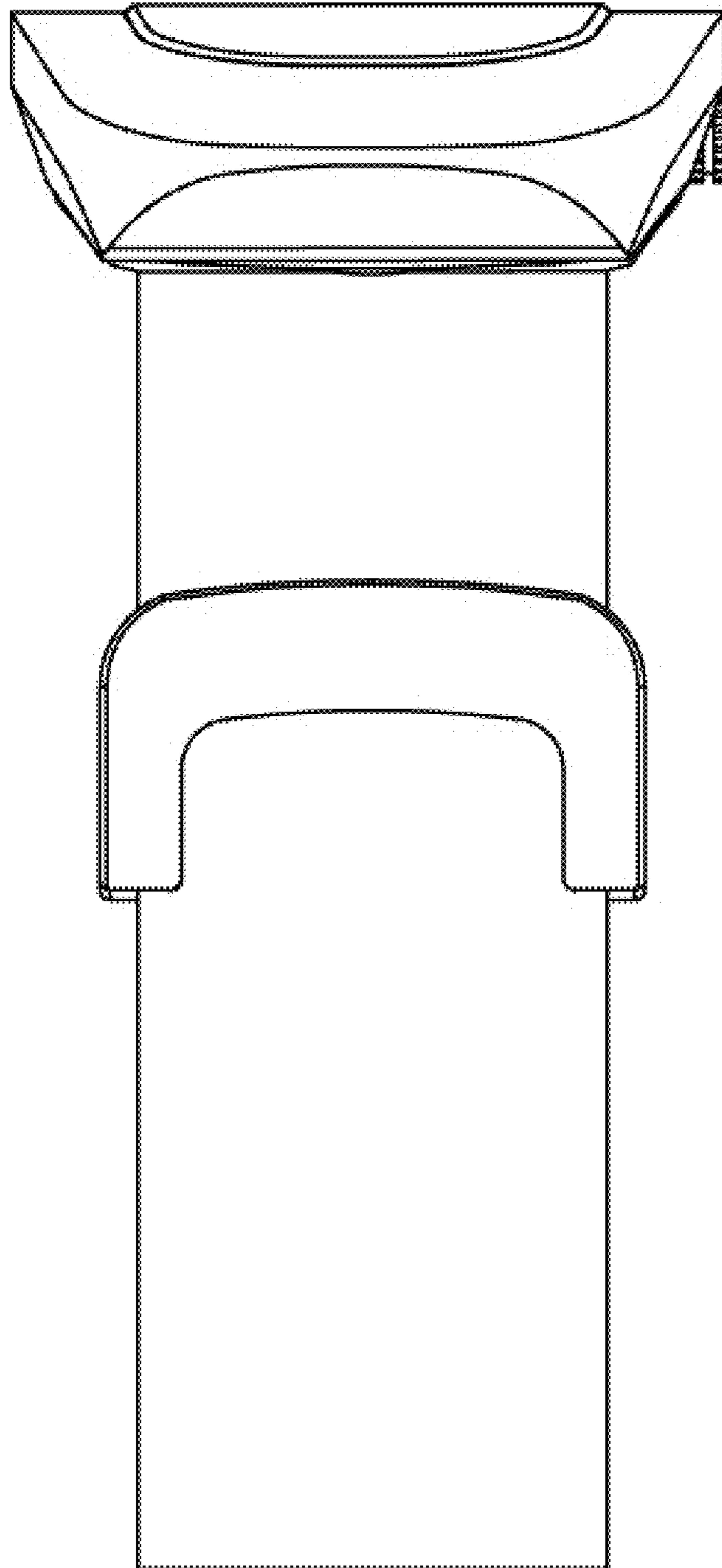
1.4



1.5



1.6



1.7

