



US00D922882S

(12) **United States Design Patent** (10) **Patent No.:** **US D922,882 S**
Amikura et al. (45) **Date of Patent:** **** Jun. 22, 2021**

(54) **WATCH CASE**

5/02; A44C 5/027; A44C 5/04; A44C 5/08; A44C 5/10; A44C 5/102; A44C 5/105; A44C 5/107

(71) Applicant: **CASIO KEISANKI KABUSHIKI KAISHA**, Tokyo (JP)

See application file for complete search history.

(72) Inventors: **Ryo Amikura**, Tokyo (JP); **Takao Matsuda**, Tokyo (JP)

(56) **References Cited**

U.S. PATENT DOCUMENTS

(73) Assignee: **CASIO KEISANKI KABUSHIKI KAISHA**, Tokyo (JP)

D569,275 S *	5/2008	Moriai	D10/38
D592,080 S *	5/2009	Mijatovic	D10/39
D685,666 S *	7/2013	Nakai	D10/131
D740,138 S *	10/2015	Goto	D10/39
D742,762 S *	11/2015	Syoubayashi	D10/30
D751,420 S *	3/2016	Nakai	D10/30
D756,244 S *	5/2016	Bastian	D10/39
9,519,272 B2 *	12/2016	Kobayashi	A44C 5/14
D817,192 S *	5/2018	Syoubayashi	D10/39
D829,111 S *	9/2018	Akagi	D10/39
D860,835 S *	9/2019	Kojima	D10/70
D874,946 S *	2/2020	Matsuda	D10/30
D897,866 S *	10/2020	Yamamoto	D10/30

(**) Term: **15 Years**

(21) Appl. No.: **29/715,457**

(22) Filed: **Dec. 2, 2019**

(30) **Foreign Application Priority Data**

Jun. 4, 2019 (CN) 201930285131.2

(51) **LOC (13) Cl.** **10-02**

(52) **U.S. Cl.**
USPC **D10/30**

(58) **Field of Classification Search**
USPC D10/30-39, 65, 70, 97-98, 121-132;
D14/344; D11/3, 5, 12; D24/167, 186
CPC G04B 19/00; G04B 19/125; G04B 19/04;
G04B 19/048; G04B 19/065; G04B 19/08;
G04B 19/10; G04B 19/103; G04B 19/106;
G04B 19/12; G04B 19/18; G04B 19/22;
G04B 19/223; G04B 19/24; G04B 19/243;
G04B 19/28; G04B 19/283; G04B 37/00;
G04B 37/0008; G04B 37/0058; G04B 45/00;
G04B 45/0069; G04B 45/0076; G04B 47/06;
G04B 47/063; G04G 19/06; A44C 5/00; A44C

* cited by examiner

Primary Examiner — Katherine Glennon

(74) *Attorney, Agent, or Firm* — Holtz, Holtz & Volek PC

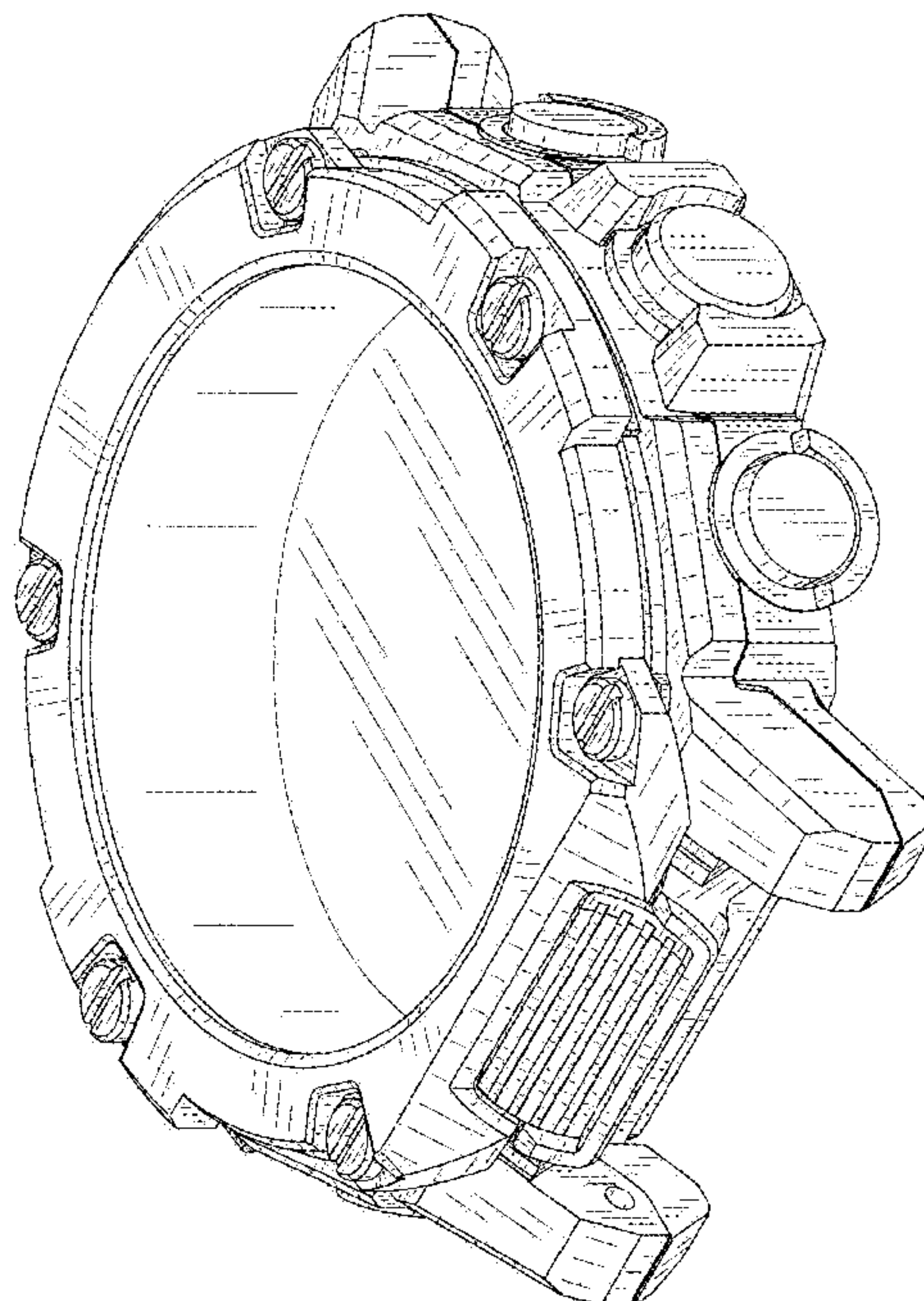
(57) **CLAIM**

The ornamental design for a watch case, as shown.

DESCRIPTION

FIG. 1 is a front, right side, bottom perspective view of a watch case showing our new design;
FIG. 2 is a front elevational view thereof;
FIG. 3 is a rear elevational view thereof;
FIG. 4 is a left side view thereof;
FIG. 5 is a right side view thereof;
FIG. 6 is a top plan view thereof; and,
FIG. 7 is a bottom plan view thereof.

1 Claim, 6 Drawing Sheets



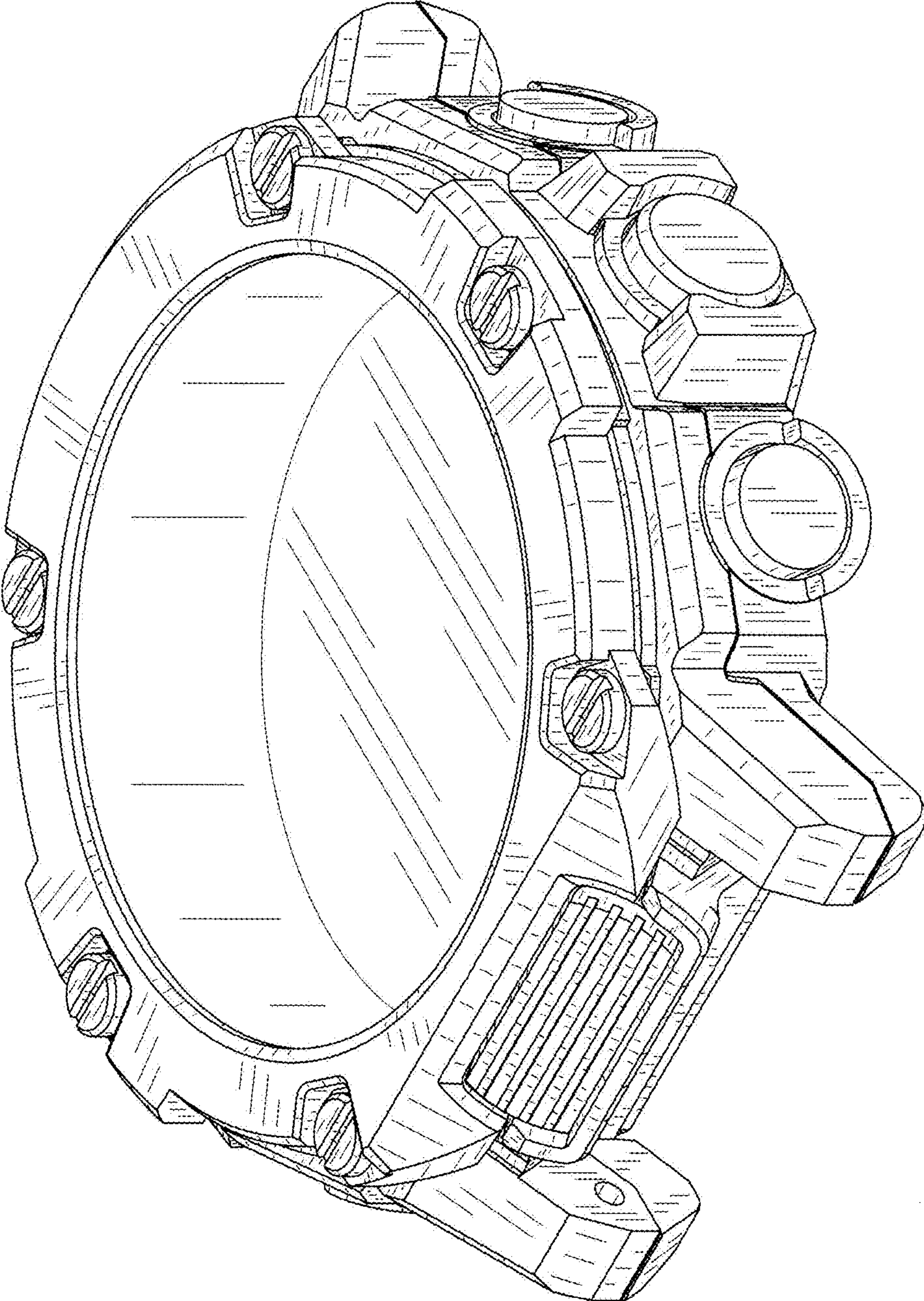


FIG. 1

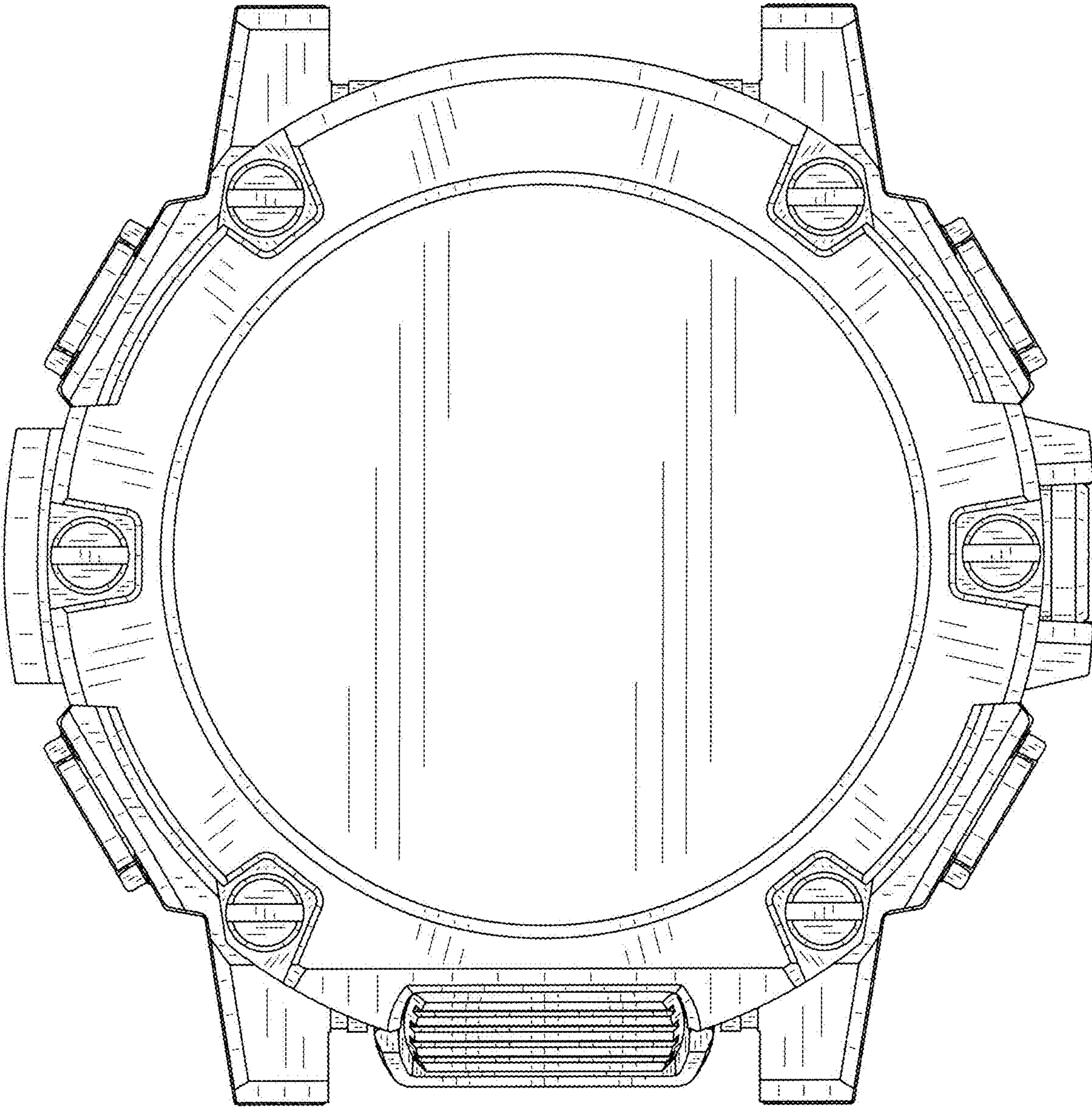


FIG. 2

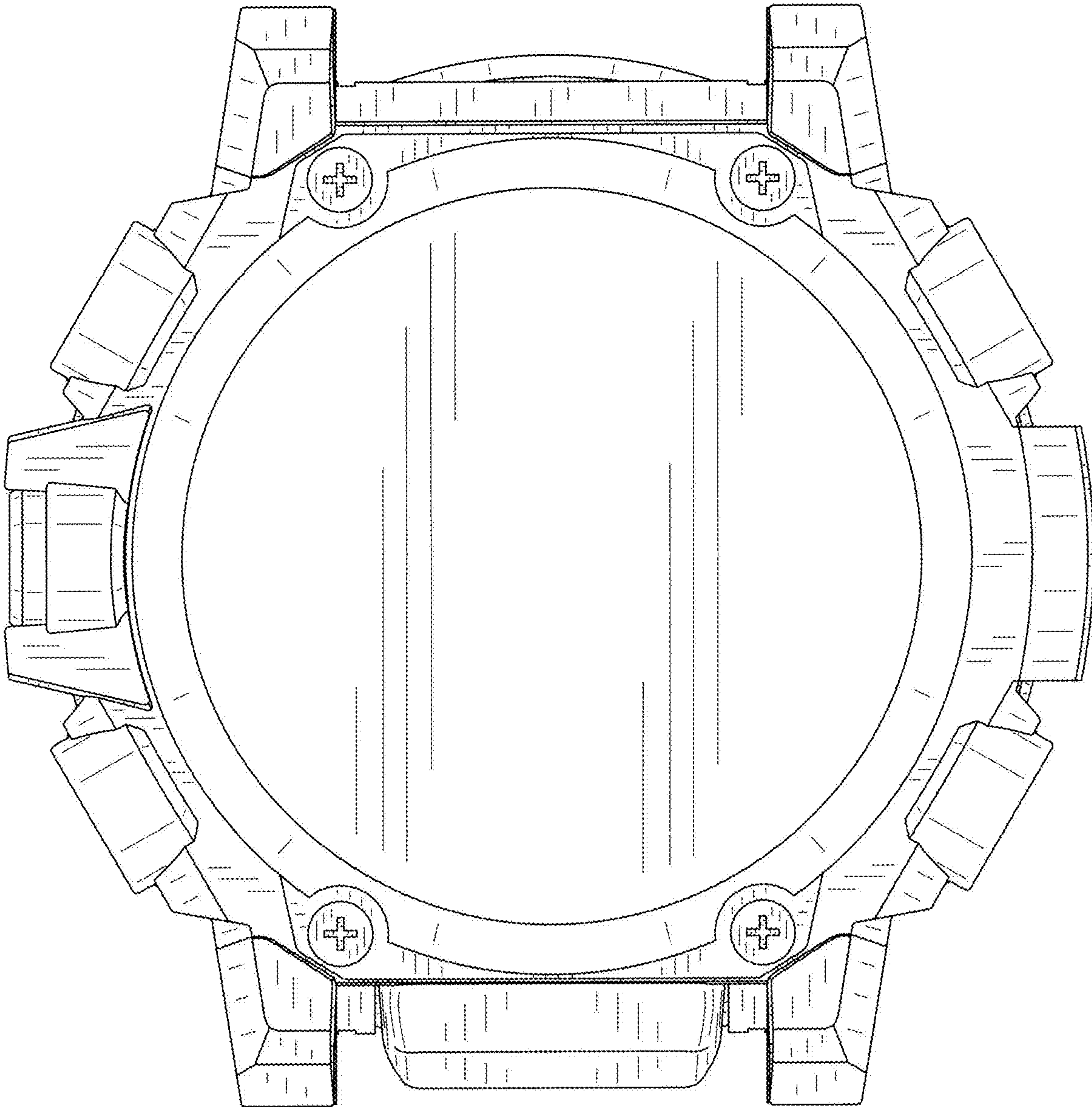


FIG. 3

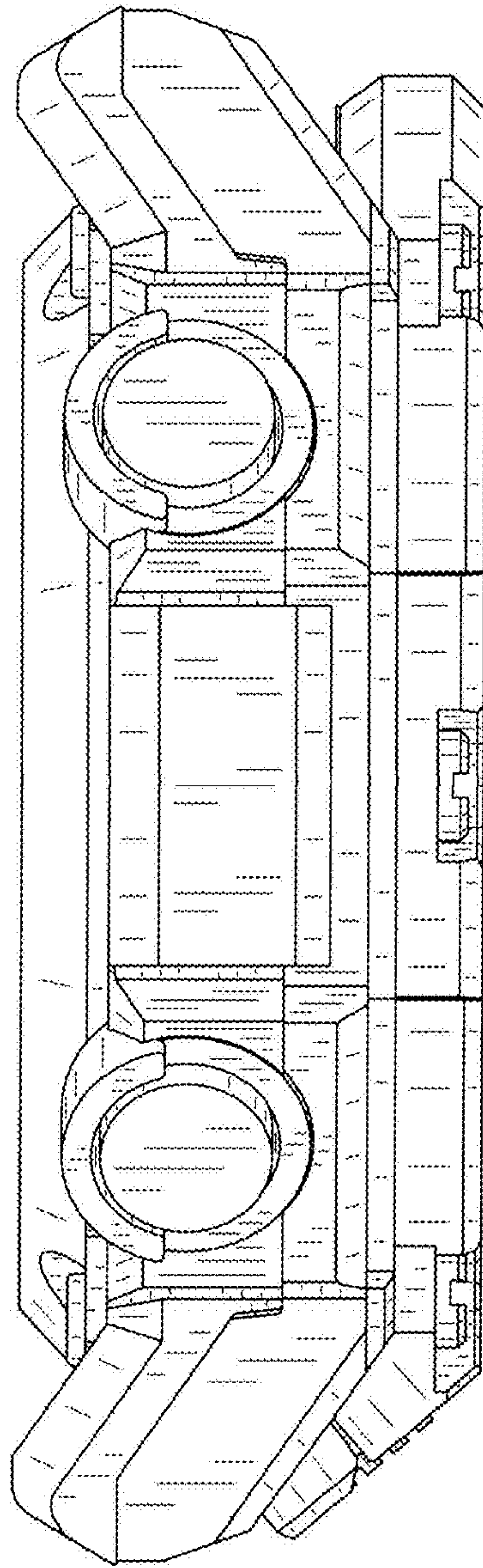


FIG. 4

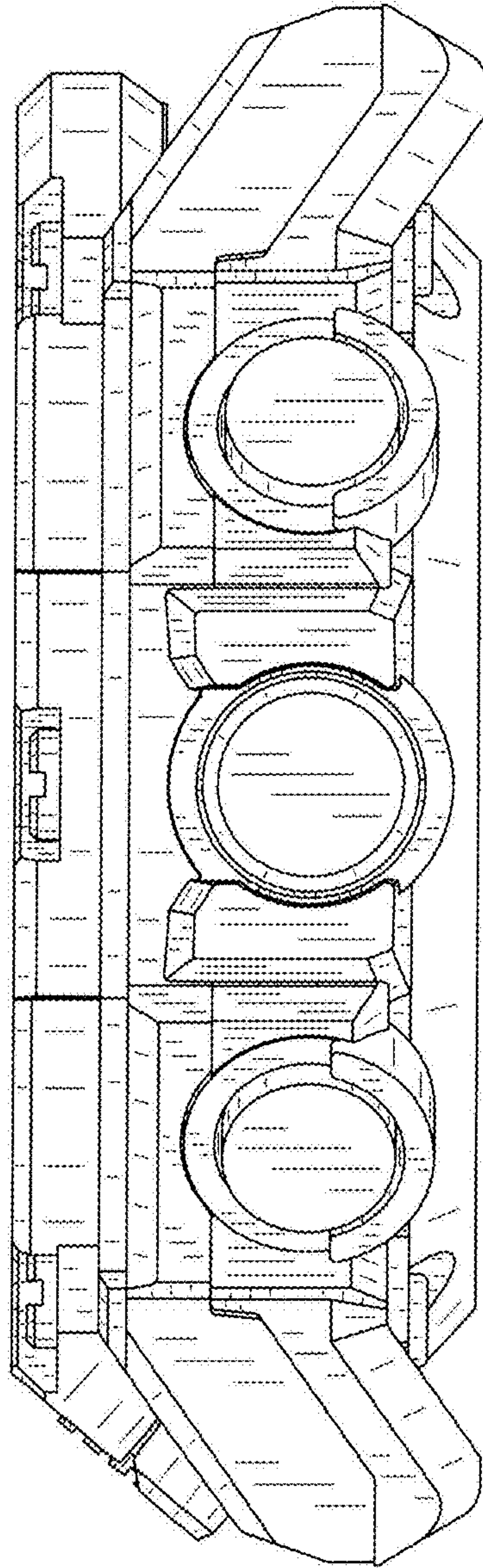


FIG. 5

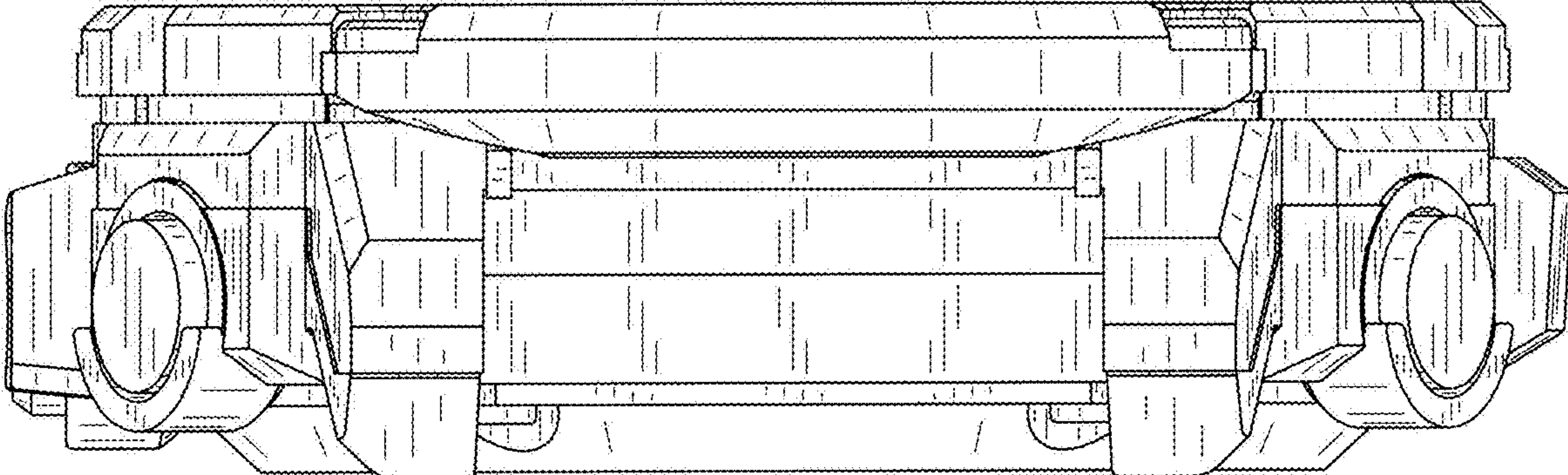


FIG. 6

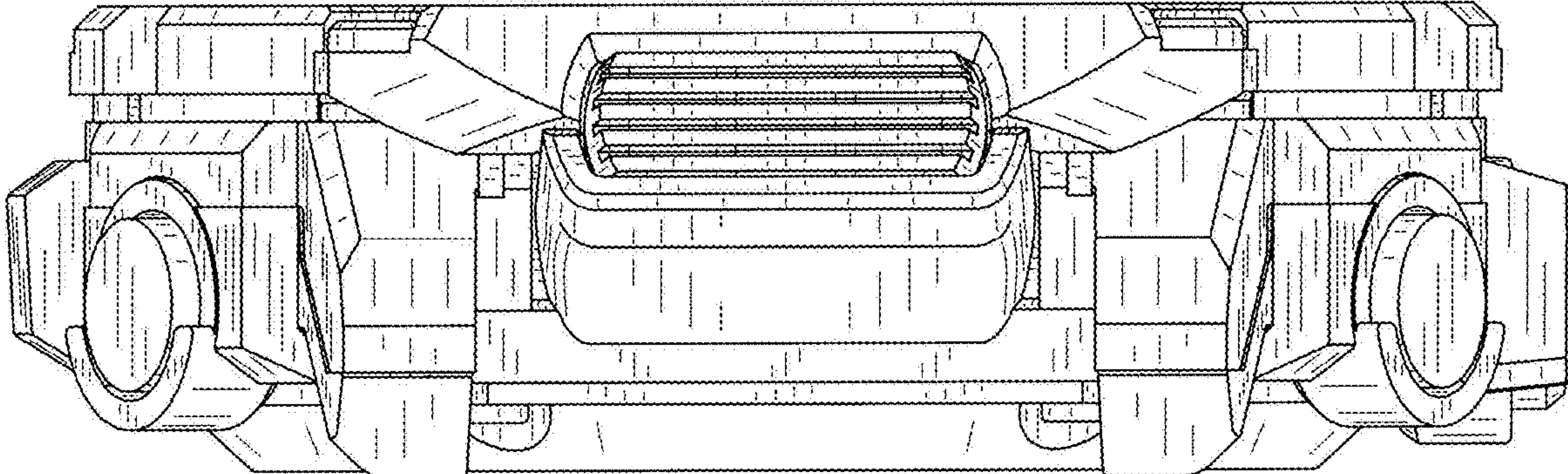


FIG. 7