

US00D922872S

(12) **United States Design Patent** (10) **Patent No.:** **US D922,872 S**
Jung (45) **Date of Patent:** **** Jun. 22, 2021**

(54) **CONTAINER FOR COSMETICS**
(71) Applicant: **YONWOO CO., LTD.**, Incheon (KR)
(72) Inventor: **Hyo Sun Jung**, Incheon (KR)
(73) Assignee: **YONWOO CO., LTD.**, Incheon (KR)
(**) Term: **15 Years**
(21) Appl. No.: **29/733,086**

D714,160 S * 9/2014 Park D9/688
D751,415 S * 3/2016 Otani D9/688
D766,084 S * 9/2016 Jiang D9/448
D821,221 S * 6/2018 Jung D9/691
(Continued)

FOREIGN PATENT DOCUMENTS

KR 30-0734752 S 3/2014
KR 30-0822062 S 10/2015

OTHER PUBLICATIONS

Yonwoo Simple Look Seires Don't Miss Out on Our New Simple Look Series—YouTube, published Oct. 25, 2020, retrieved Apr. 6, 2021, retrieved from the Internet URL: <https://www.youtube.com/watch?v=qG64rSXHVuw>.*

(30) **Foreign Application Priority Data**
Nov. 19, 2019 (KR) 30-2019-0055169
(51) **LOC (13) Cl.** **09-07**
(52) **U.S. Cl.**
USPC **D9/450**
(58) **Field of Classification Search**
USPC D28/4, 8.1, 9, 76, 85-90, 91.1, 99;
D9/447-451, 629, 503-504, 500, 529,
D9/575, 686, 688, 723
CPC A45D 33/22; A45D 33/24; A45D 33/26;
A45D 33/28; A45D 40/00; A45D 40/20;
A45D 40/24; A45D 34/00; A45D 34/04;
A45D 34/06; A45D 34/041; A45D 40/02;
A45D 40/06; A45D 40/18; A45D 40/262
See application file for complete search history.

Primary Examiner — Jennifer Rivard
Assistant Examiner — Alison M Ofstun
(74) *Attorney, Agent, or Firm* — Novick, Kim & Lee, PLLC; Sang Ho Lee; Hyun Woo Shin

(57) **CLAIM**

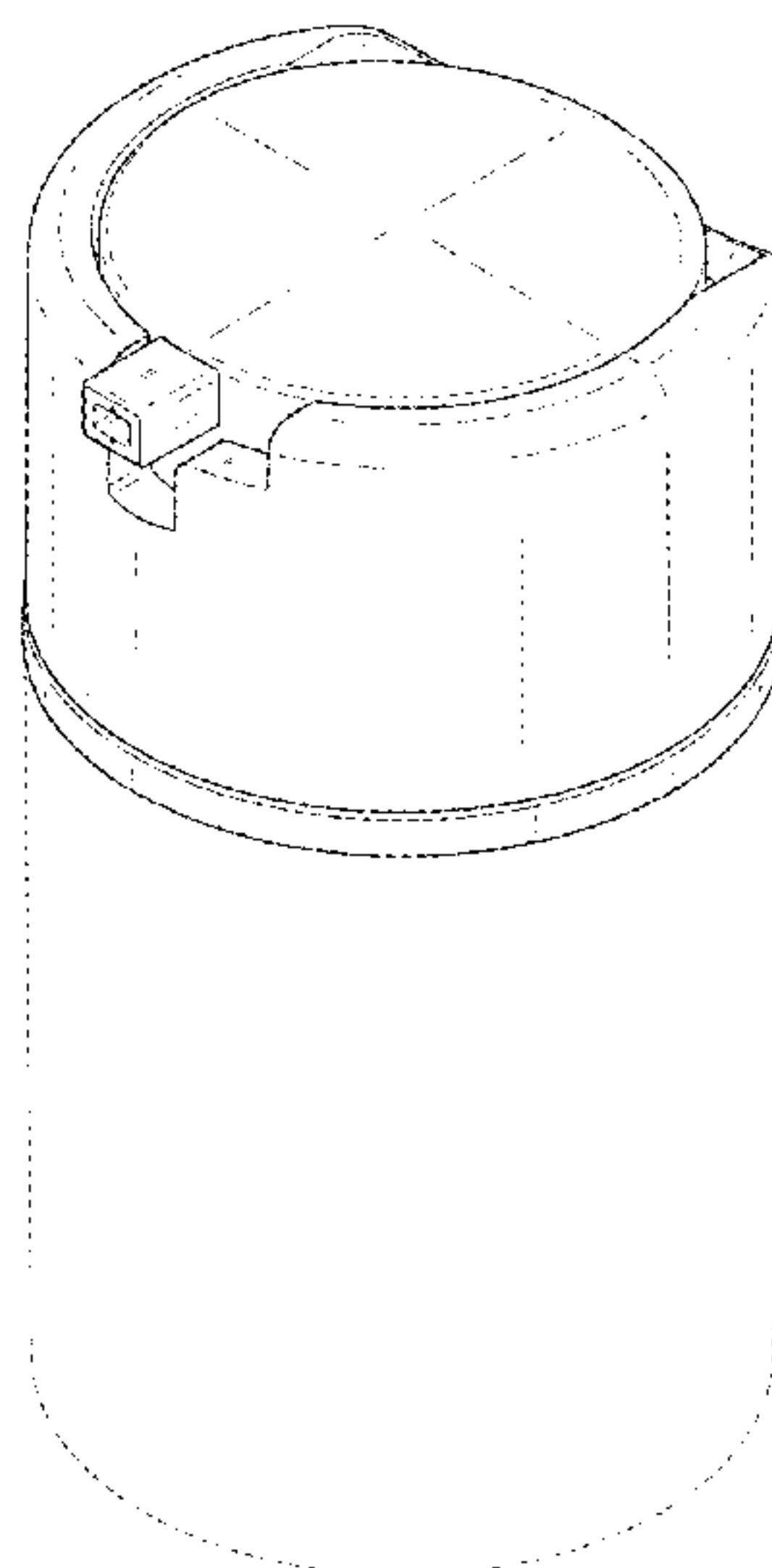
I claim the ornamental design for a container for cosmetics, as shown and described.

DESCRIPTION

FIG. 1 is a perspective view of a container for cosmetics, showing my new design;
FIG. 2 is a front elevational view thereof;
FIG. 3 is a rear elevational view thereof;
FIG. 4 is a left side elevational view thereof;
FIG. 5 is a right side elevational view thereof;
FIG. 6 is a top plan view thereof;
FIG. 7 is a bottom plan view thereof; and,
FIG. 8 is a perspective view thereof, shown in a position of use.
The broken lines in the drawings show portions of the container for cosmetics which form no part of the claimed design.

(56) **References Cited**
U.S. PATENT DOCUMENTS
D215,698 S * 10/1969 Jordan D9/688
D584,638 S * 1/2009 Castelnuovo-Tedesco D9/686
D621,277 S * 8/2010 Yeo D9/686
D658,076 S * 4/2012 McCoy D9/723
D662,415 S * 6/2012 Bicknell D9/448
8,308,029 B2 * 11/2012 Ki B05B 11/0027
222/309
D687,303 S * 8/2013 Colon D9/504
D696,140 S * 12/2013 Servaire D9/686
D698,662 S * 2/2014 Kim D9/689

1 Claim, 7 Drawing Sheets



(56)

References Cited

U.S. PATENT DOCUMENTS

D856,814 S * 8/2019 Villarreal D9/688
D859,997 S * 9/2019 Lee D9/690
2009/0302062 A1* 12/2009 Maddy B05B 11/3059
222/183
2016/0007718 A1* 1/2016 Villarreal A45D 40/28
401/117
2020/0307891 A1* 10/2020 Lee A45D 34/00

* cited by examiner

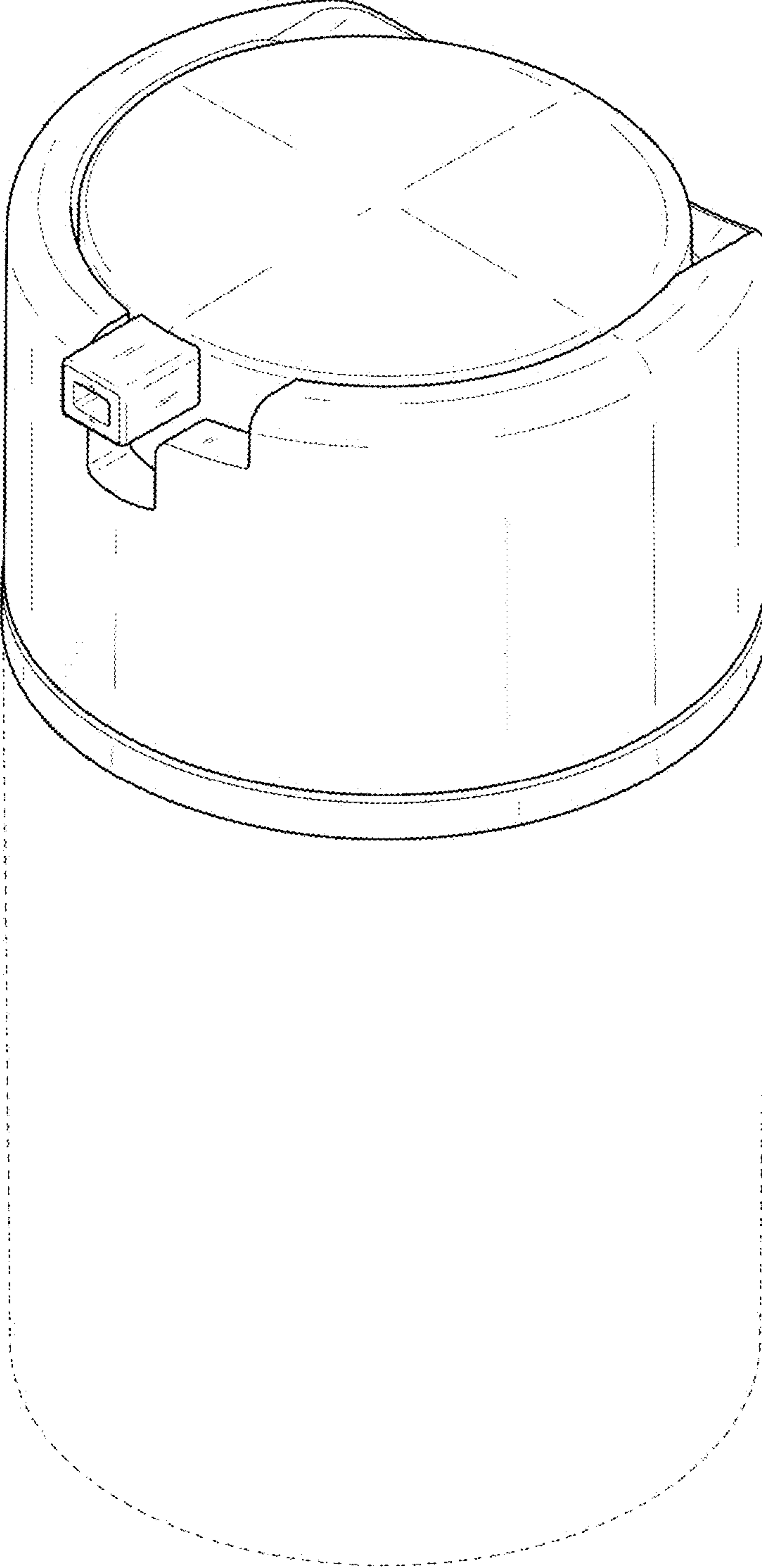


FIG. 1

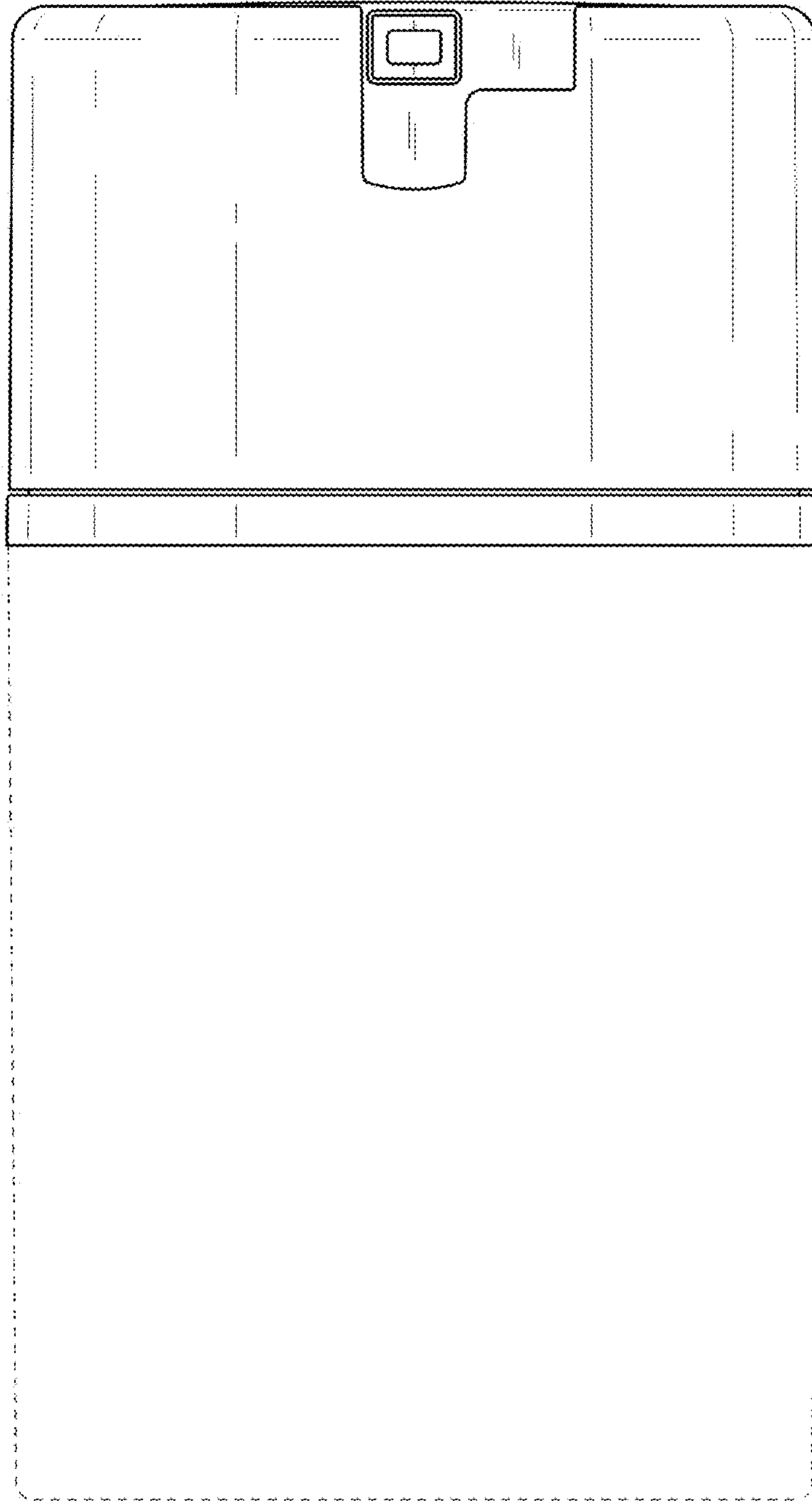


FIG. 2

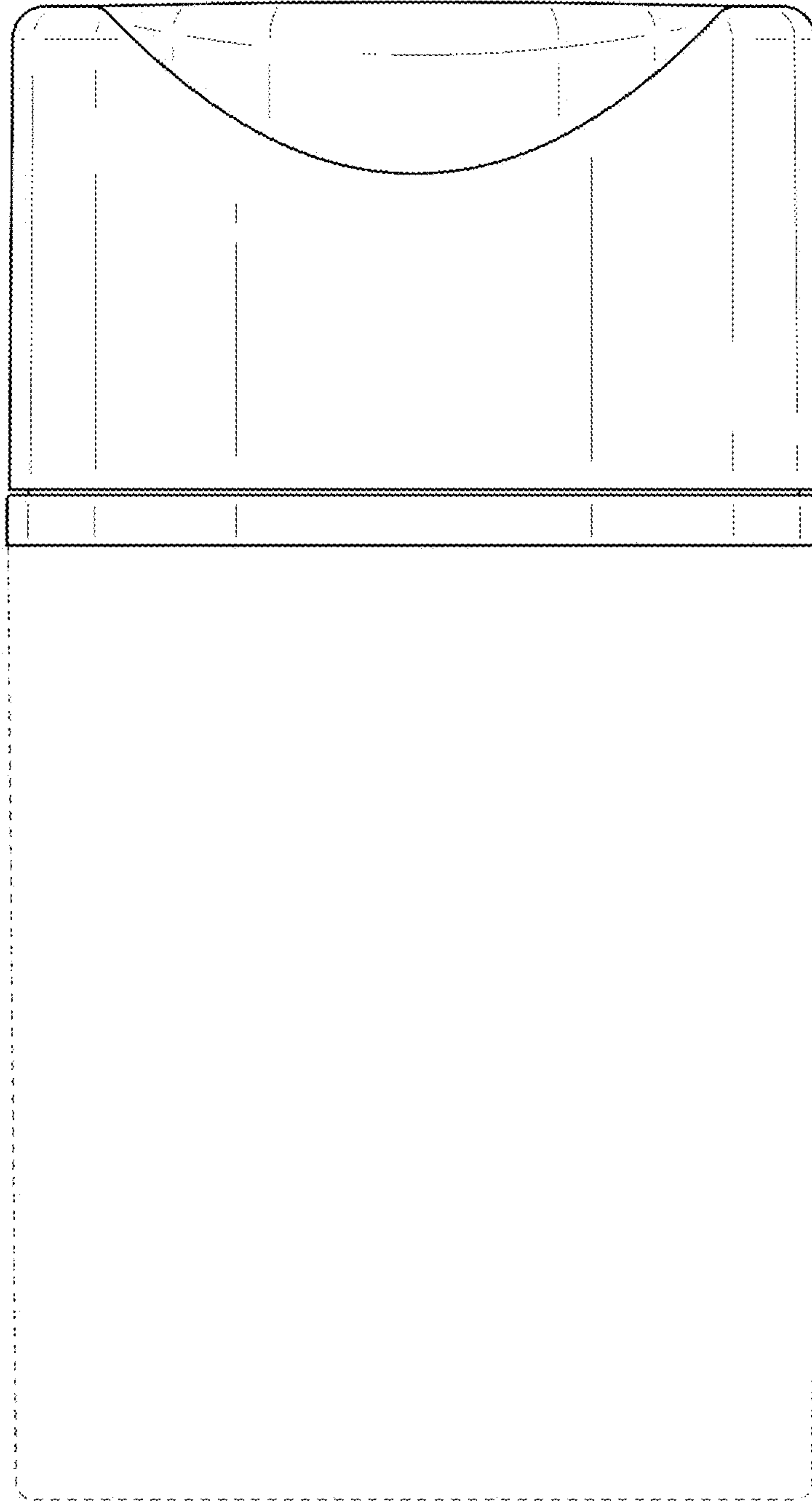


FIG. 3

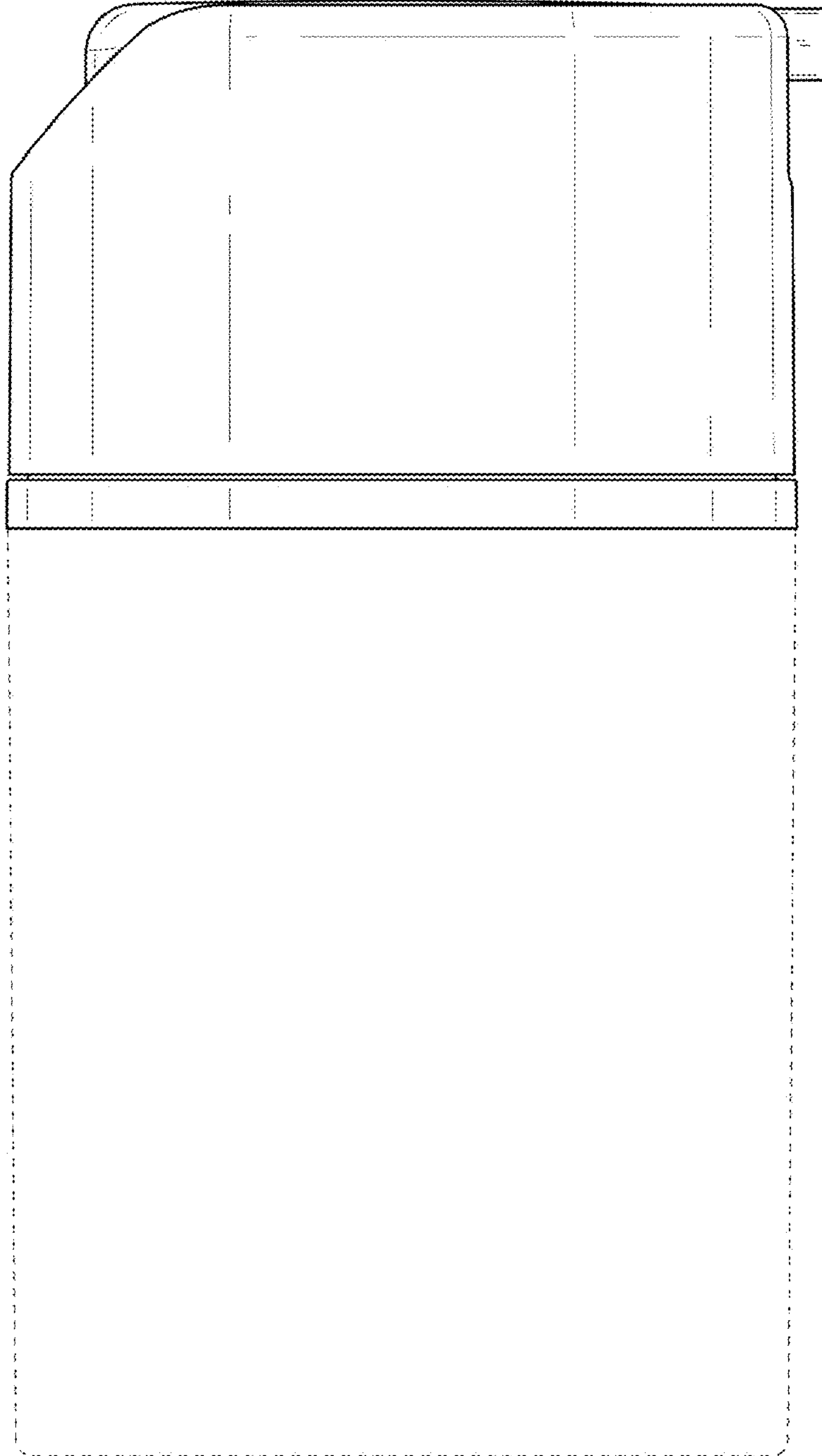


FIG. 4

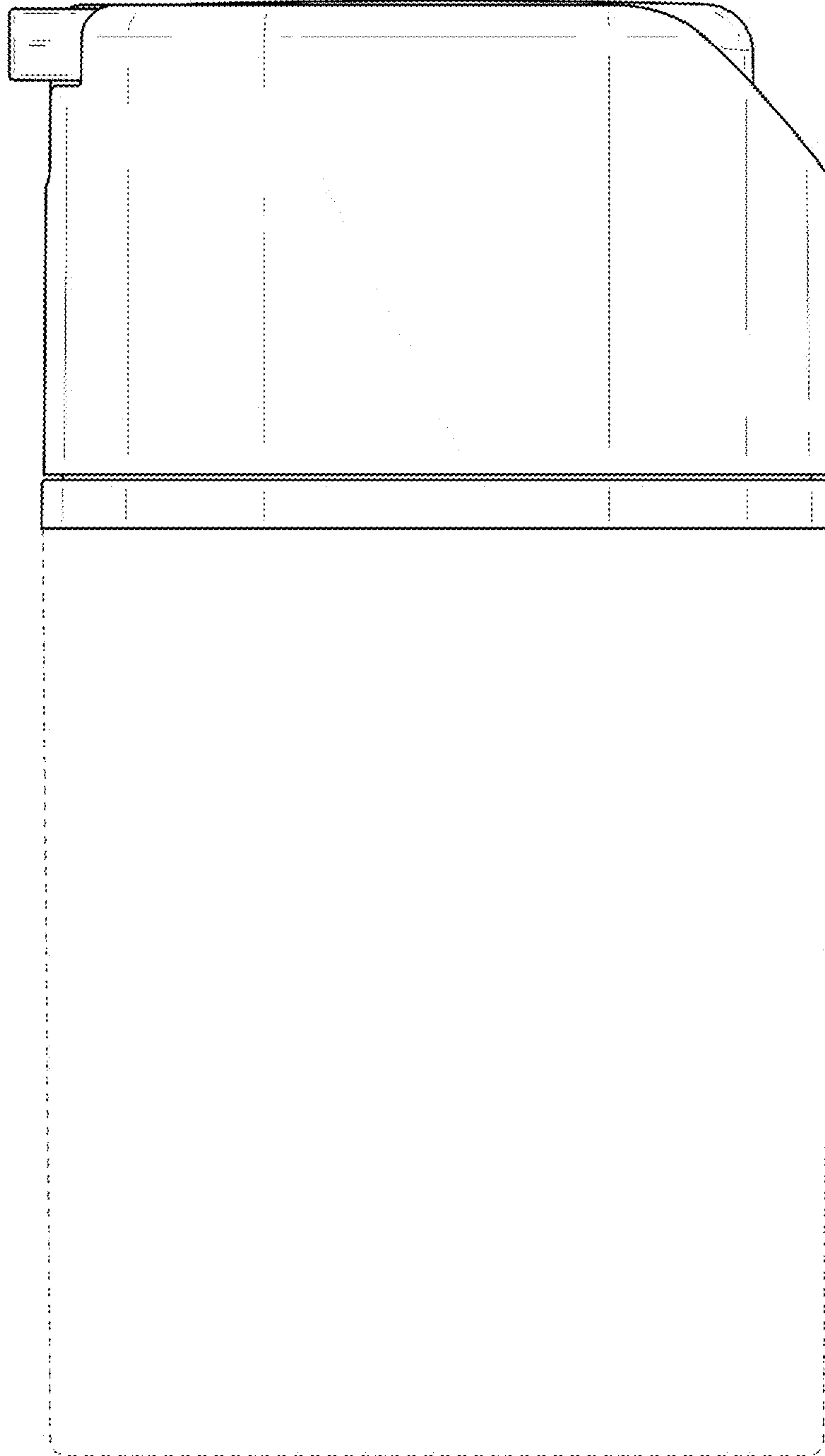


FIG. 5

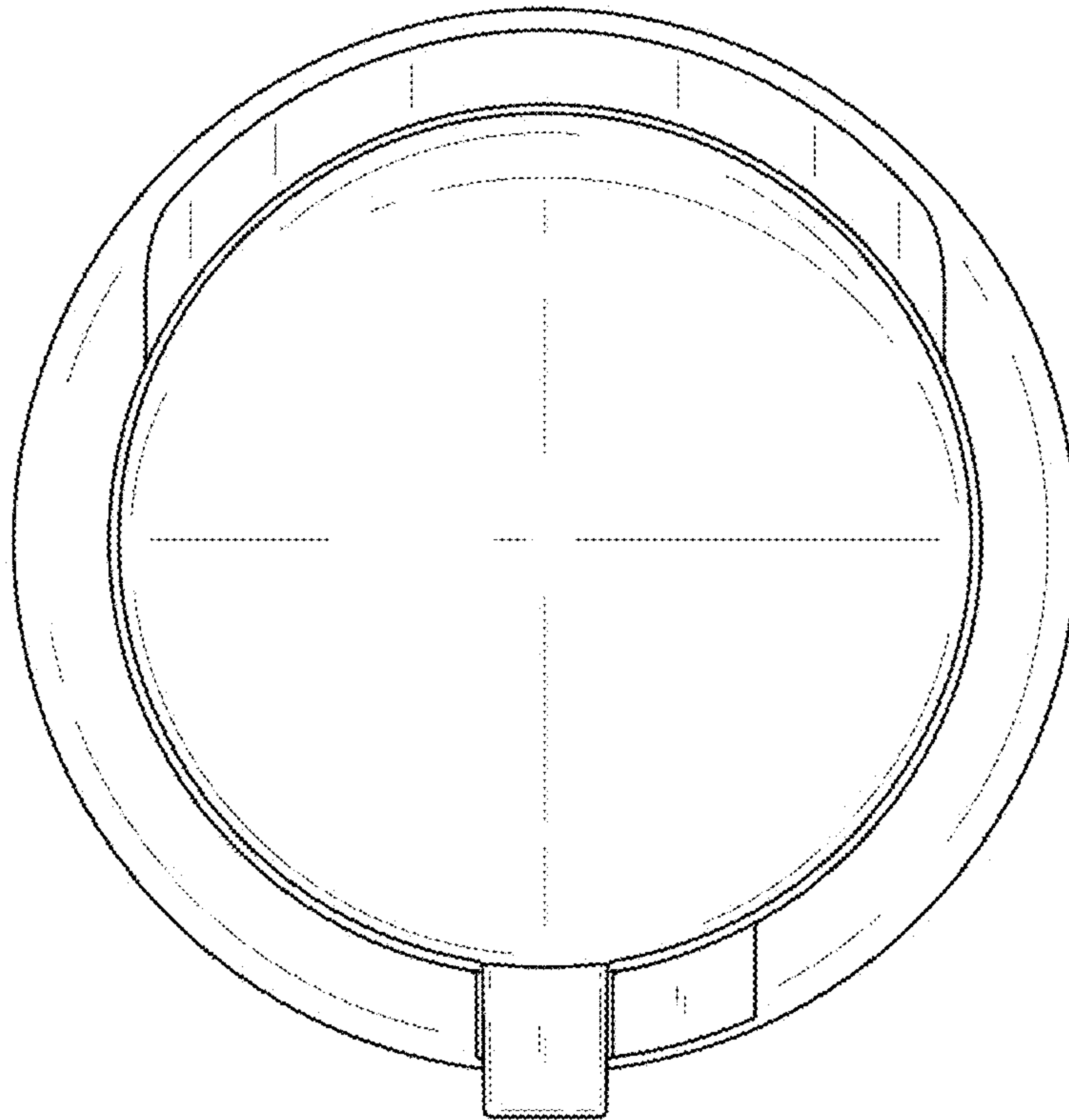


FIG. 6

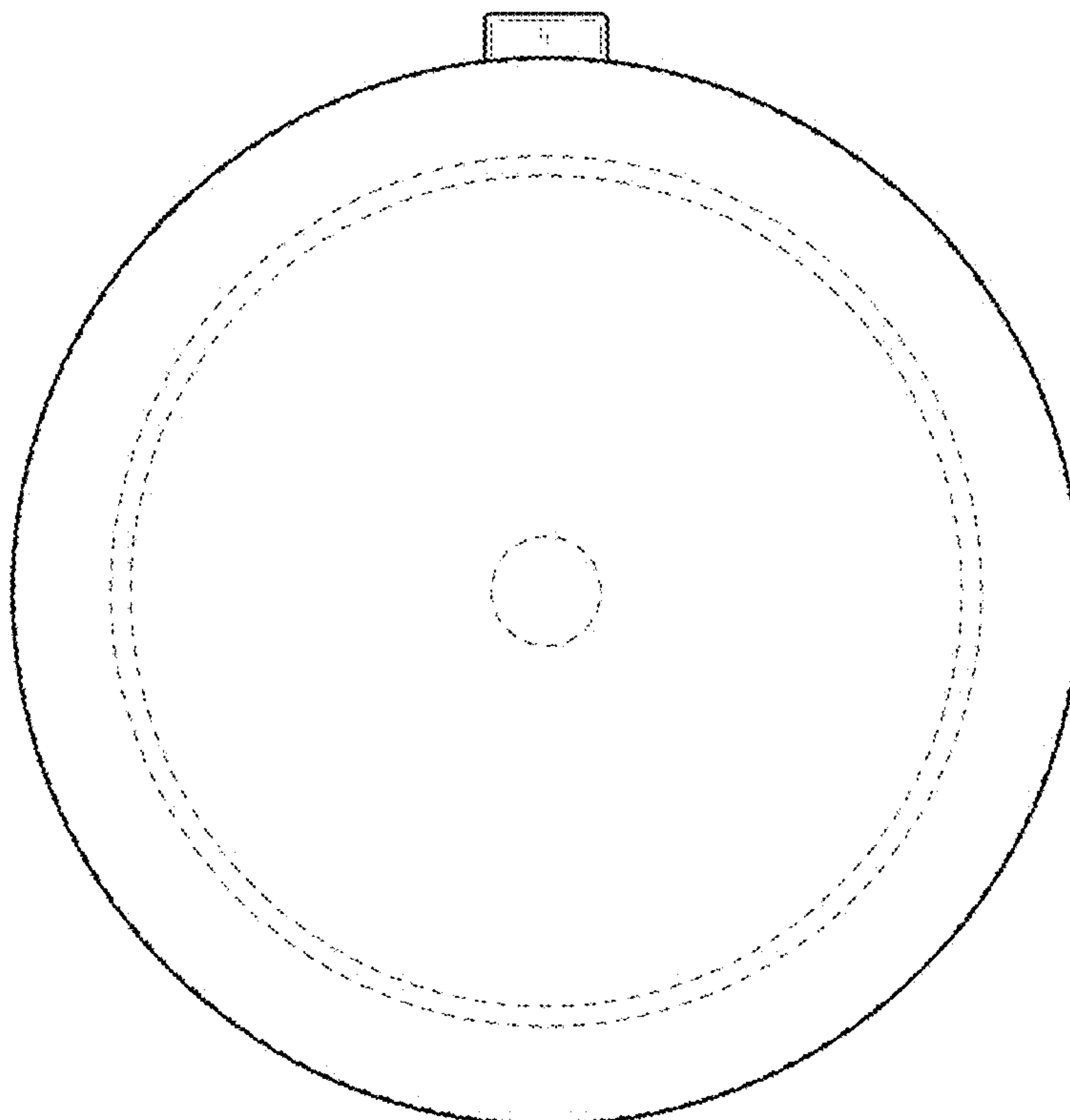


FIG. 7

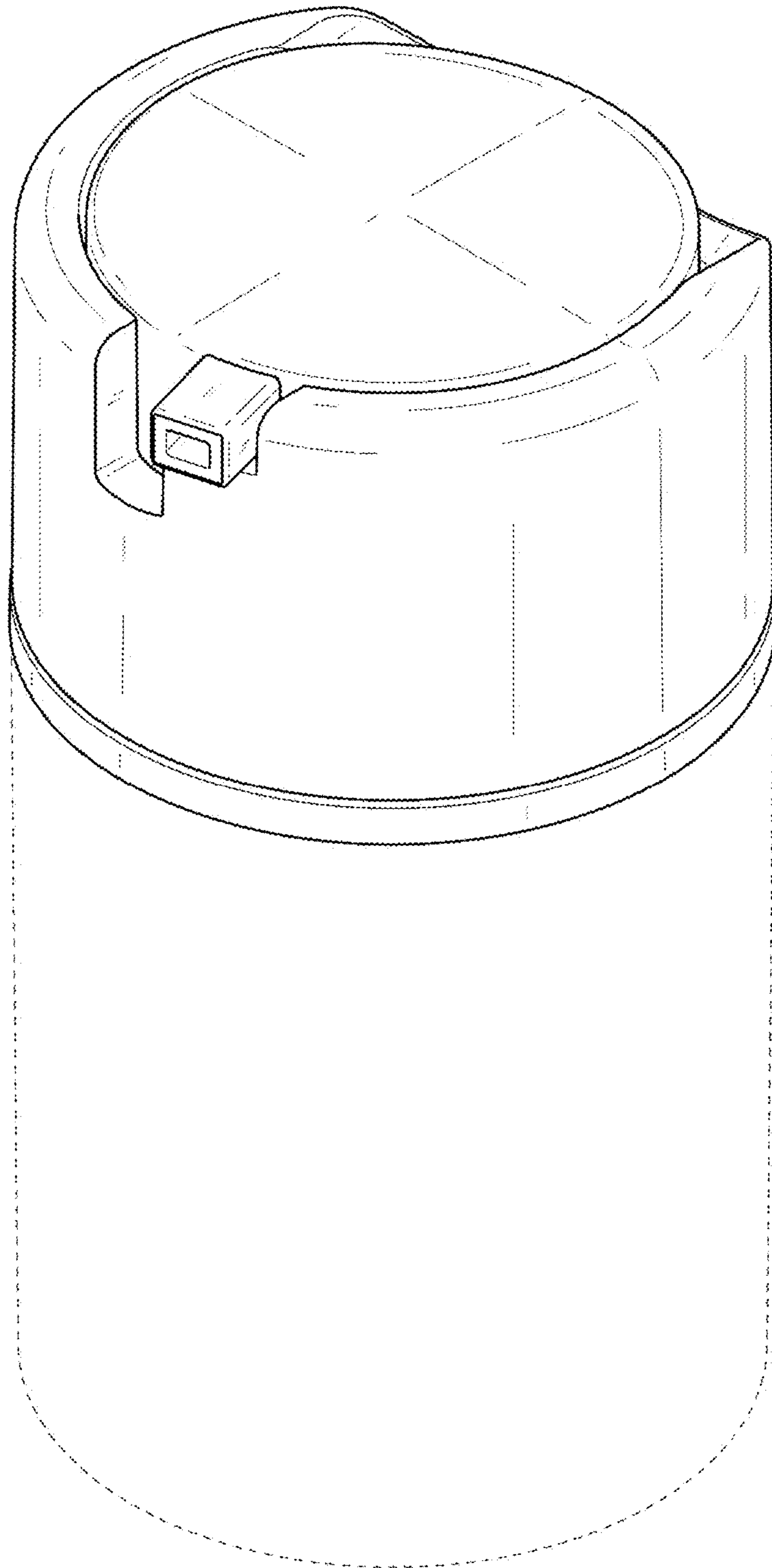


FIG. 8