



US00D922871S

(12) **United States Design Patent** (10) **Patent No.:** **US D922,871 S**
Dietvorst et al. (45) **Date of Patent:** **** Jun. 22, 2021**

(54) **BOTTLE CAP**
(71) Applicant: **Reckitt Benckiser Health Limited**,
Slough (GB)
(72) Inventors: **Taco Dietvorst**, Eindhoven (NL); **Rens**
Jurian Hoeke, Eindhoven (NL); **Teun**
Franciscus van Wetten, Eindhoven
(NL)
(73) Assignee: **RECKITT BENCKISER HEALTH**
LIMITED, Slough (GB)
(**) Term: **15 Years**
(21) Appl. No.: **29/721,818**
(22) Filed: **Jan. 23, 2020**

(30) **Foreign Application Priority Data**
Jul. 24, 2019 (EM) 006644316-0001
(51) **LOC (13) Cl.** **09-07**
(52) **U.S. Cl.**
USPC **D9/449; D9/454**
(58) **Field of Classification Search**
USPC D9/414, 434, 435, 439, 440, 442-450,
D9/452-457, 499, 503-505, 682, 685,
D9/686, 529; D7/387, 391, 392, 392.1,
D7/396.1, 396.2, 396.4, 507, 509-511,
D7/538, 900; D3/202, 203.2, 294, 318;
D28/91, 91.1
CPC .. A61J 1/00; A61J 1/1412; B65D 1/00; B65D
1/02; B65D 1/10; B65D 1/46; B65D
5/46; B65D 41/00; B65D 41/38; B65D
41/56; B65D 41/62; B65D 47/00; B65D
47/06; B65D 47/08; B65D 2251/00;
B65D 2543/00046; B65D 2543/00092;
B65D 2543/00296
See application file for complete search history.

(56) **References Cited**
U.S. PATENT DOCUMENTS
D318,231 S * 7/1991 Lay D9/435
D323,110 S * 1/1992 Simms D9/446
D463,280 S * 9/2002 Brozell D9/449
D463,744 S * 10/2002 Brozell D9/449
D492,597 S * 7/2004 Norris D9/447
D515,921 S * 2/2006 Marroncles D9/449
D530,202 S * 10/2006 Herald D9/449
D532,309 S * 11/2006 Stolle D9/529
D536,974 S * 2/2007 Smith D9/454
D536,975 S * 2/2007 Smith D9/454
D537,721 S * 3/2007 Kertels D9/449
D554,503 S * 11/2007 Kerman D9/454
D580,765 S * 11/2008 Amann D9/504
D581,801 S * 12/2008 Williams D9/446
D585,274 S * 1/2009 Geier D9/450
7,731,066 B2 * 6/2010 Norris B65D 47/0833
222/494

(Continued)

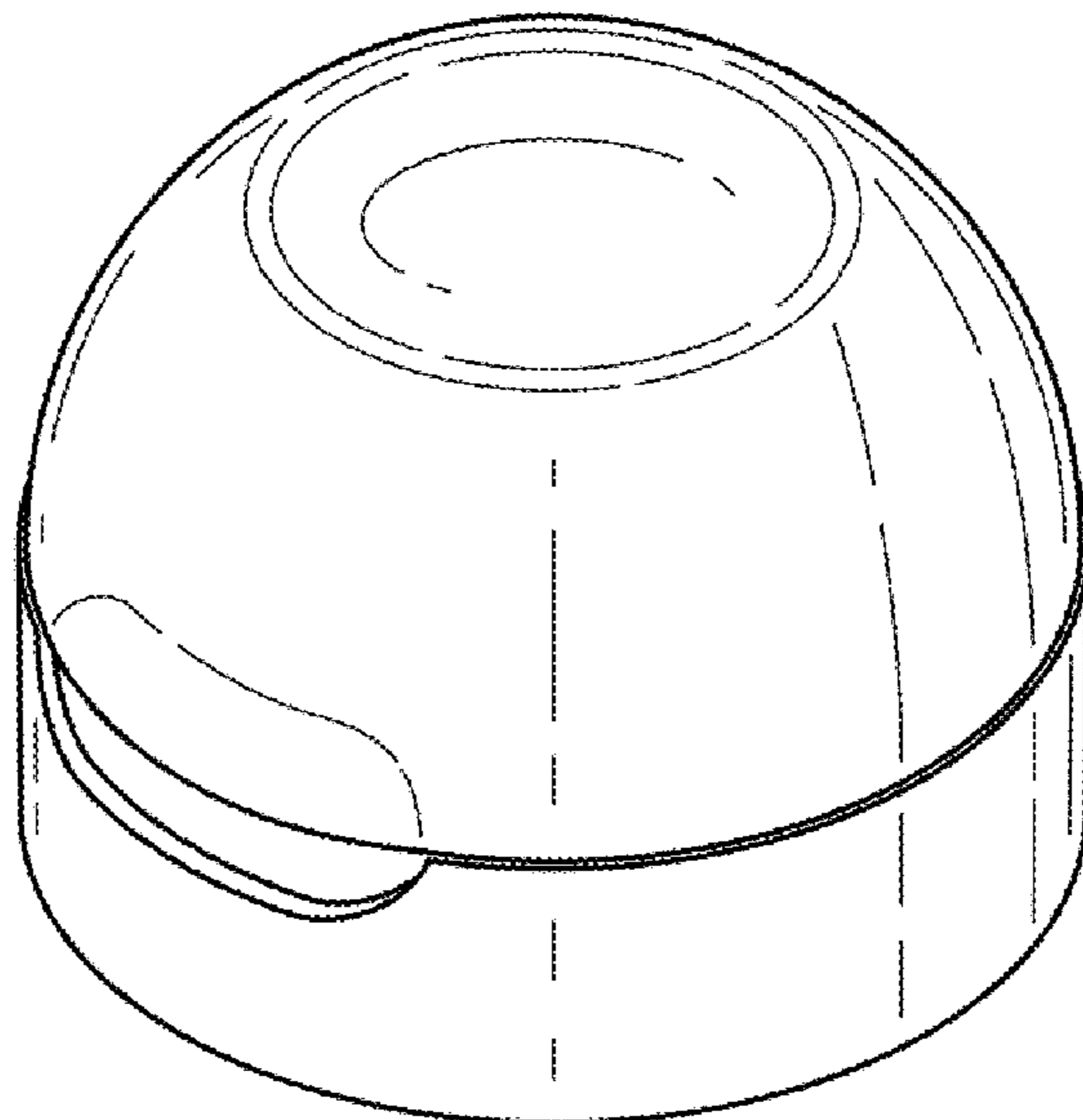
Primary Examiner — Wendy L Arminio
(74) *Attorney, Agent, or Firm* — Troutman Pepper
Hamilton Sanders LLP; Ryan Schneider; Chris N. Davis

(57) **CLAIM**
The ornamental design for a bottle cap, as shown and
described.

DESCRIPTION

FIG. 1 is a perspective view of our new design for a bottle
cap;
FIG. 2 is a front elevation view thereof;
FIG. 3 is a rear elevation view thereof;
FIG. 4 is a left side elevation view thereof;
FIG. 5 is a right side elevation view thereof;
FIG. 6 is a top plan view thereof; and,
FIG. 7 is a bottom plan view thereof.
The broken lines in the drawings are included for the
purpose of illustrating portions of the bottle cap that form no
part of the claimed design.

1 Claim, 2 Drawing Sheets



(56)

References Cited

U.S. PATENT DOCUMENTS

D625,604 S * 10/2010 Zaslow D9/449
8,070,003 B2 * 12/2011 True B65D 1/0223
215/382
D674,103 S * 1/2013 Smith D24/197
D684,063 S * 6/2013 True D9/542
8,603,557 B2 * 12/2013 de Cleir B65D 81/32
426/115
D702,551 S * 4/2014 Wisniewski D9/449
D723,375 S * 3/2015 Brune D9/449
D743,789 S * 11/2015 Wisniewski D9/447
D743,790 S * 11/2015 Hussain D9/447
D748,983 S * 2/2016 Orasche D9/449
D749,955 S * 2/2016 Staten D9/447
D769,715 S * 10/2016 Bois D9/449
D782,908 S * 4/2017 Bentkovski D9/449
D801,172 S * 10/2017 Bentkovski D9/449
D811,887 S * 3/2018 Hoeke D9/449
D811,888 S * 3/2018 Hoeke D9/449
D819,395 S * 6/2018 Yu D9/435
D867,813 S * 11/2019 Reed D7/392.1
D885,183 S * 5/2020 Schawo D9/449
D904,884 S * 12/2020 Wohlgenannt D9/447

* cited by examiner

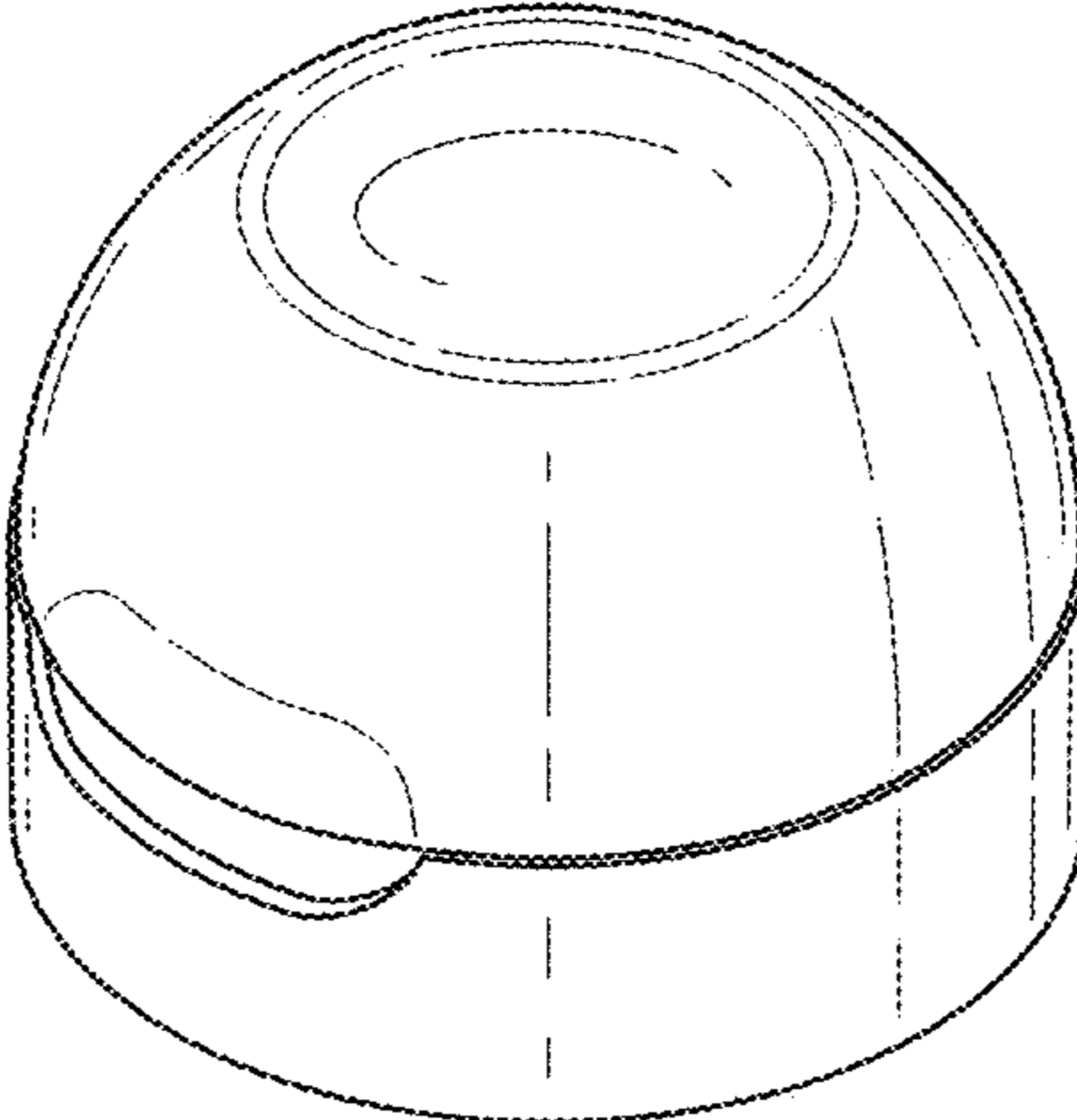


Fig. 1

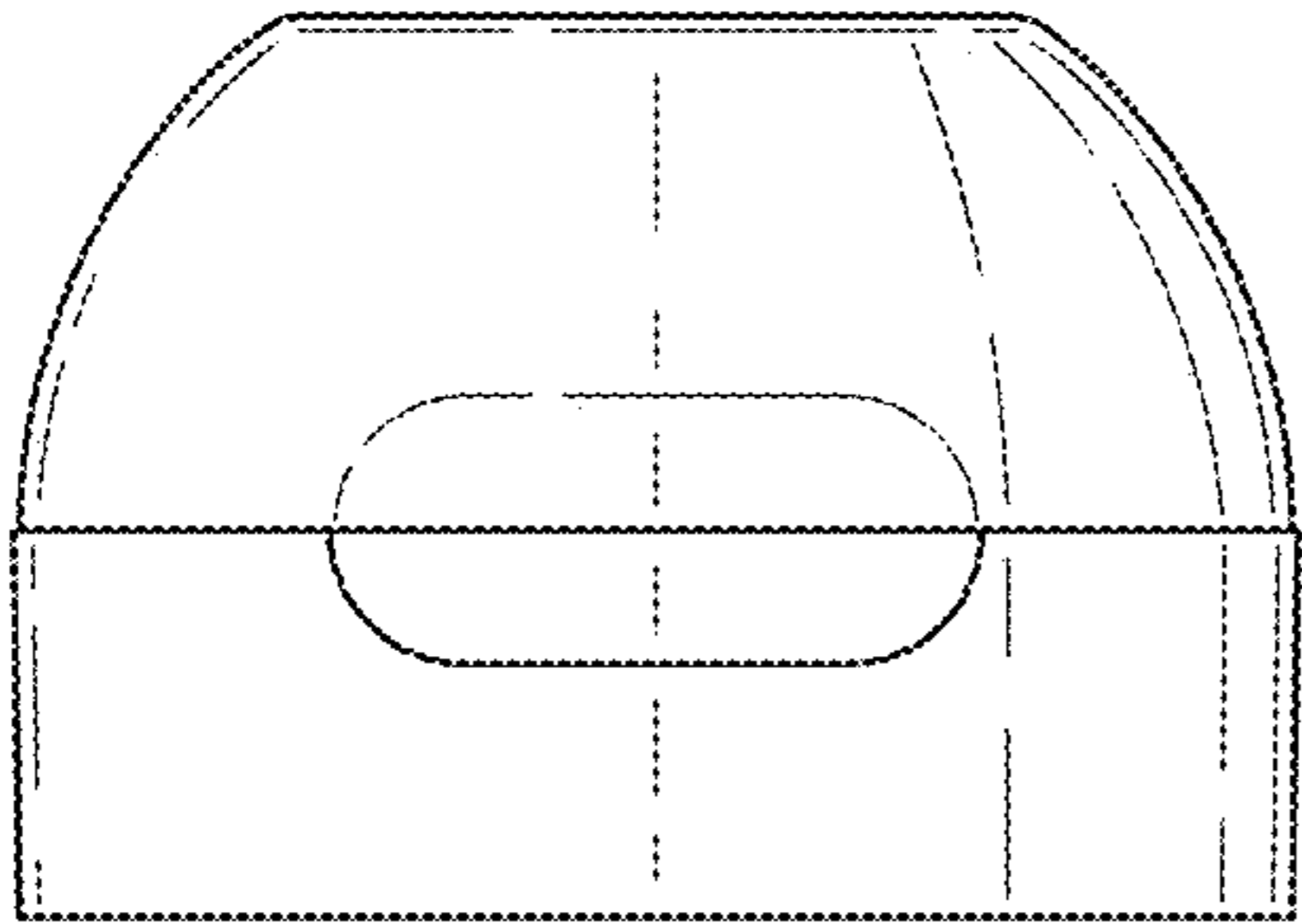


Fig. 2

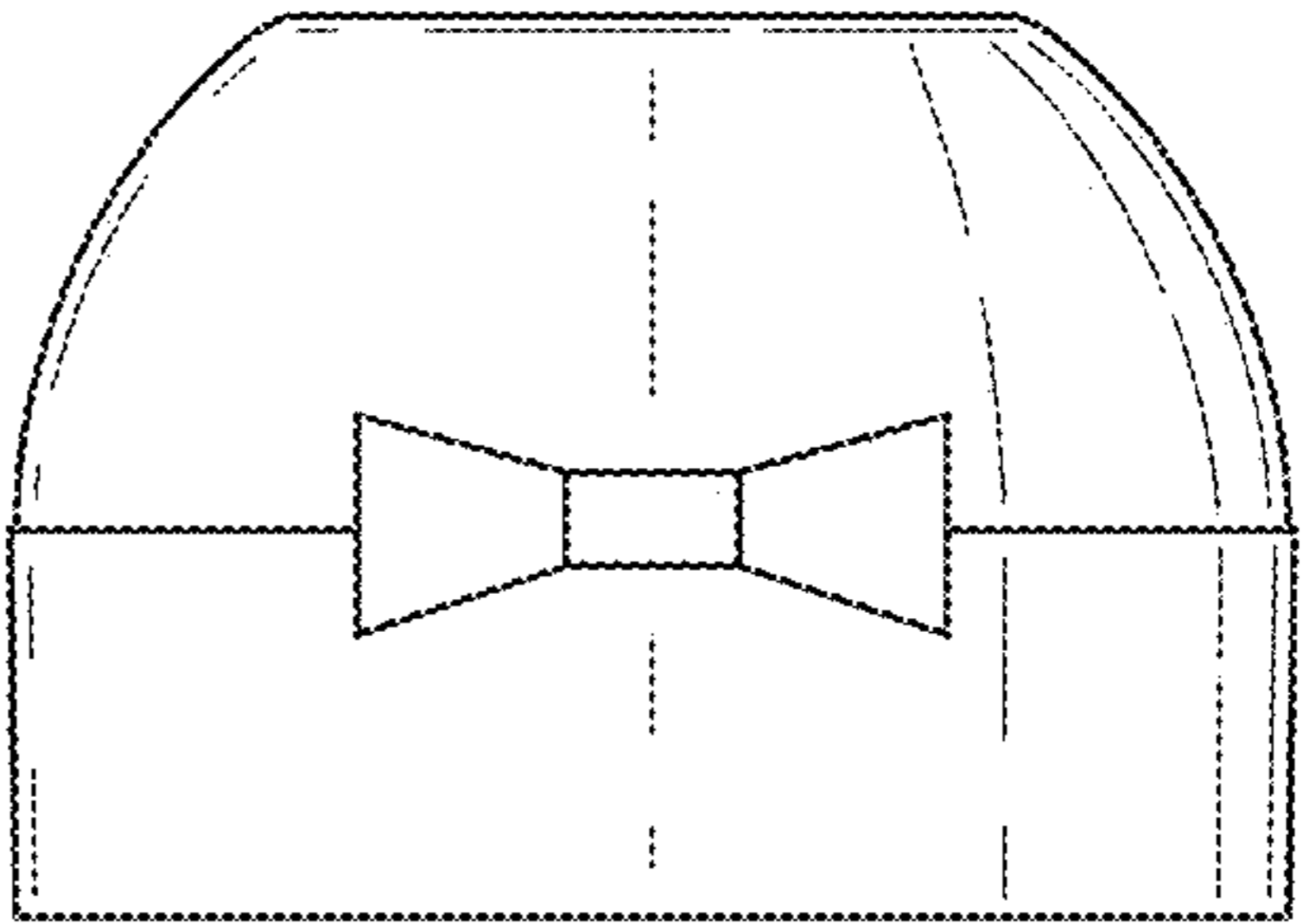


Fig. 3

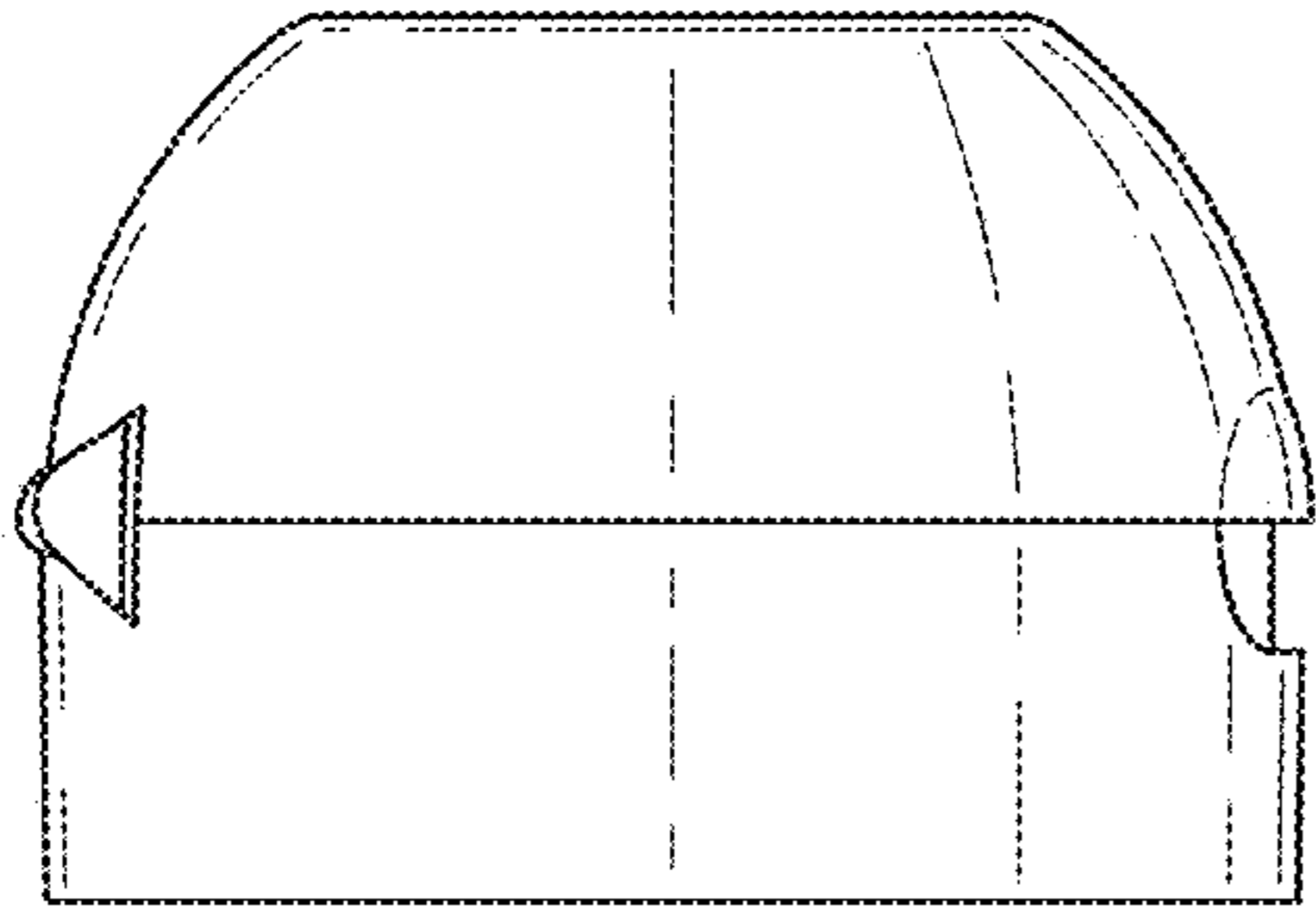


Fig. 4

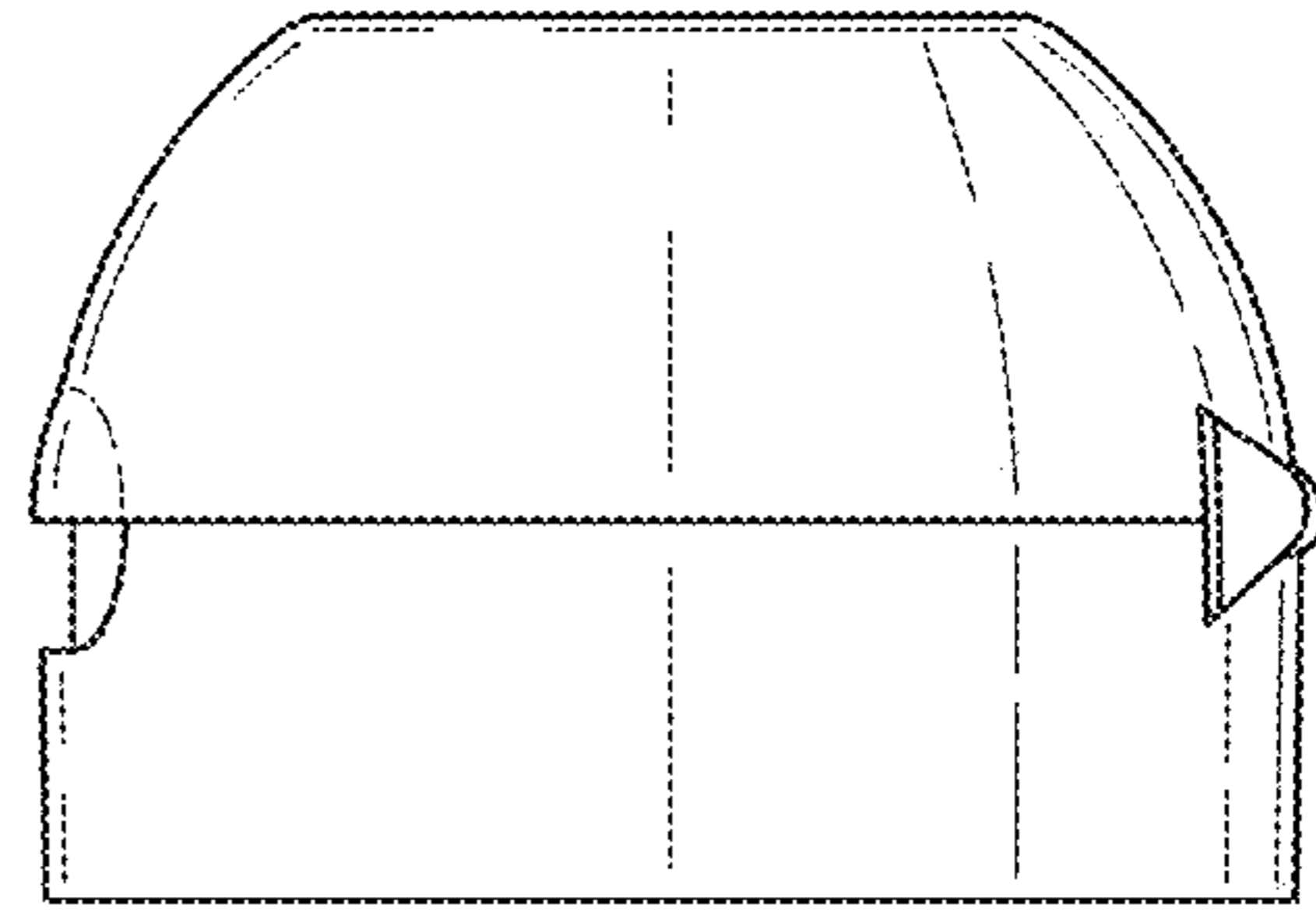


Fig. 5

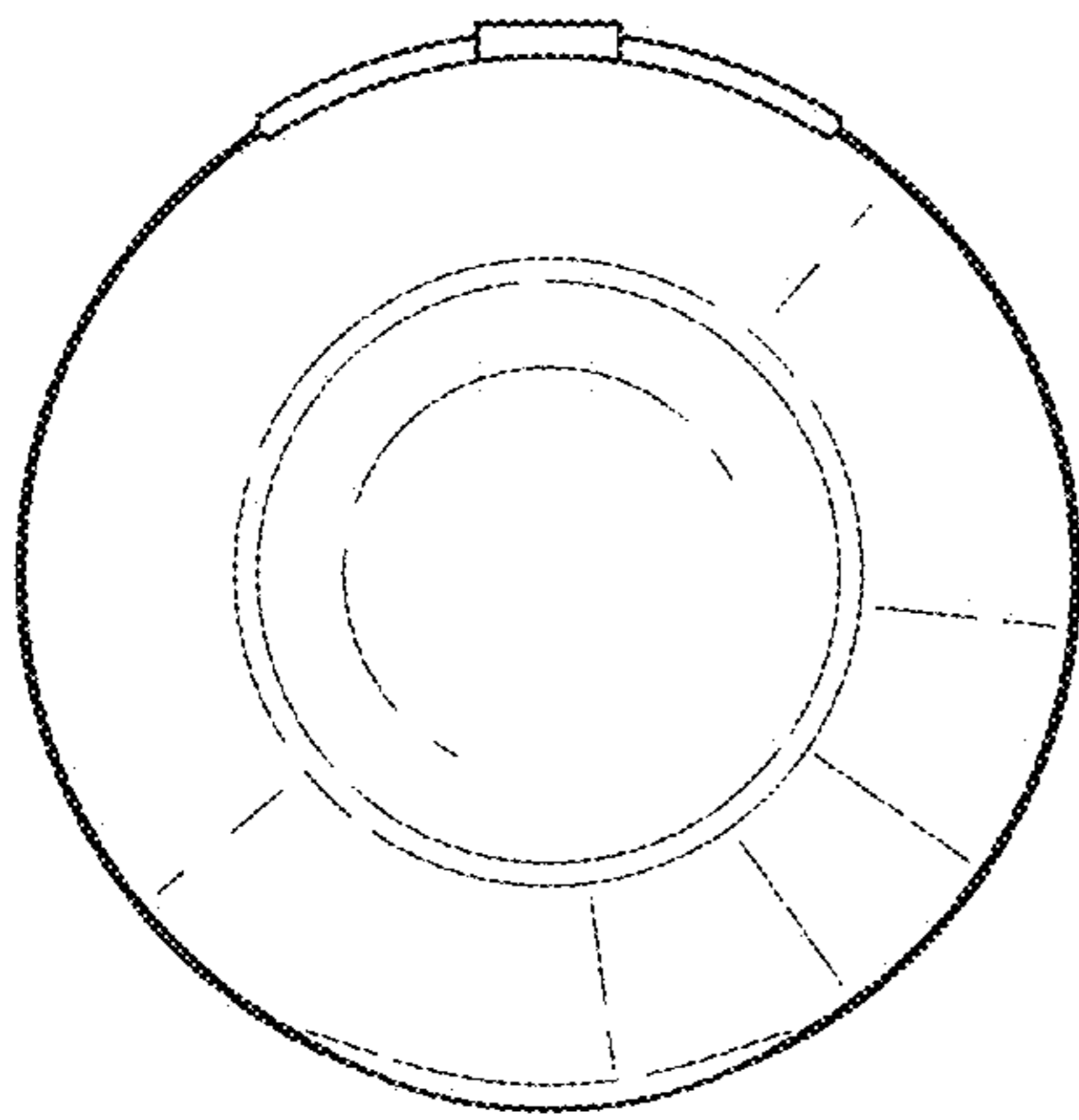


Fig. 6

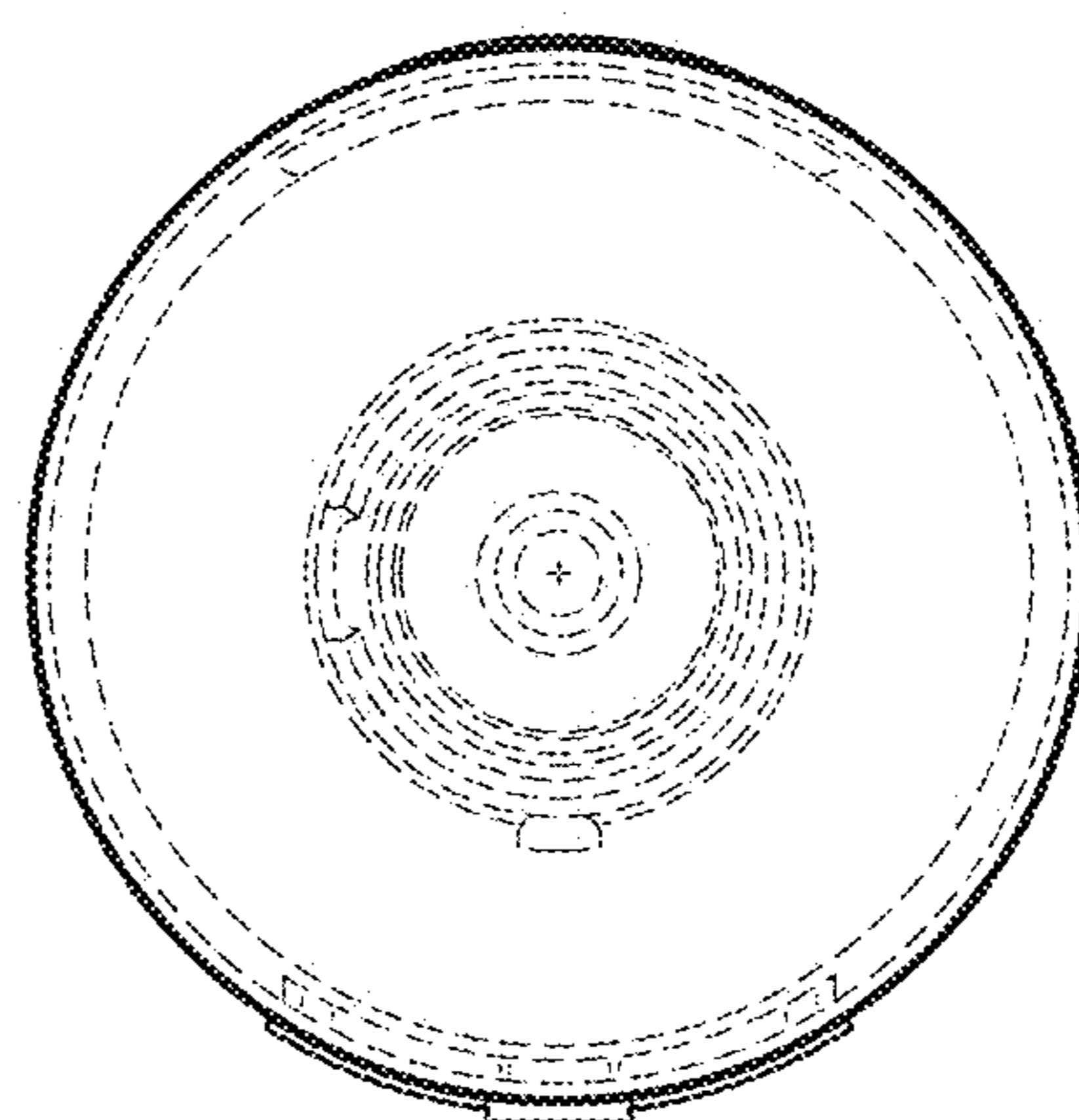


Fig. 7