



US00D922867S

(12) **United States Design Patent** (10) **Patent No.:** **US D922,867 S**
Perella et al. (45) **Date of Patent:** **** *Jun. 22, 2021**

(54) **FOLDABLE SNAP BOX**

- (71) Applicant: **IdeaStream Consumer Products, LLC**, Cleveland, OH (US)
- (72) Inventors: **Daniel Perella**, Hudson, OH (US); **Vincent Thomson**, Avon Lake, OH (US); **Anthony DeCarlo**, Las Vegas, NV (US)
- (73) Assignee: **Ideastream Consumer Products, LLC**, Cleveland, OH (US)
- (*) Notice: This patent is subject to a terminal disclaimer.
- (**) Term: **15 Years**

(21) Appl. No.: **29/623,688**

(22) Filed: **Oct. 26, 2017**

(51) **LOC (13) Cl.** **09-03**

(52) **U.S. Cl.**
USPC **D9/432; D9/433**

(58) **Field of Classification Search**
USPC D9/414-423, 430-432, 433, 434, 456, D9/457, 711, 713, 721-722
CPC ... B65D 5/00; B65D 5/02; B65D 5/18; B65D 5/20
See application file for complete search history.

(56) **References Cited**

U.S. PATENT DOCUMENTS

D244,430	S	*	5/1977	Larkin	D9/432
D259,918	S	*	7/1981	Hutton	229/122
D336,427	S	*	6/1993	Mainiero	D9/423
D339,062	S	*	9/1993	Williams	D9/432
D353,714	S	*	12/1994	Stromberg	D3/305
D493,618	S	*	8/2004	DeCarlo	D3/283
D494,758	S	*	8/2004	DeCarlo	D3/283
D497,954	S	*	11/2004	DeCarlo	D19/77
D500,205	S	*	12/2004	DeCarlo	D3/273
D501,083	S	*	1/2005	Perella	D3/276
D511,035	S	*	10/2005	Perella	D99/28

(Continued)

OTHER PUBLICATIONS

Collapsible Storage Box, Letter, 12-3_4x12-3_4x8-3_8, Black _ Office Filing Supplies. [online] Published on Oct. 2, 2001. Retrieved from URL: <https://www.amazon.com/Snap-Store-Medium-Box-Black/dp/B000EFQAEQ>.*

Primary Examiner — Vy N Koenig
(74) *Attorney, Agent, or Firm* — Ulmer & Berne LLP

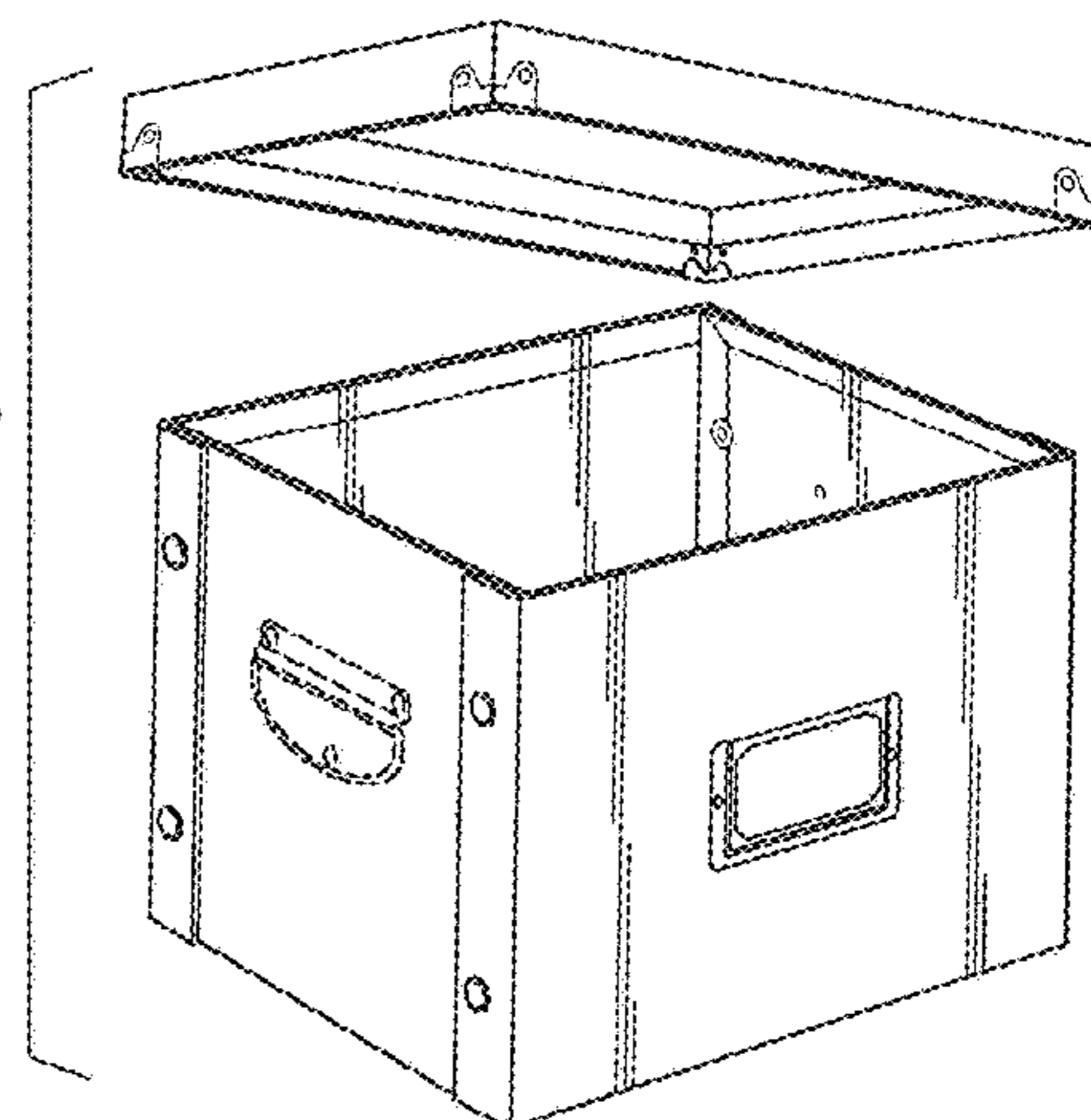
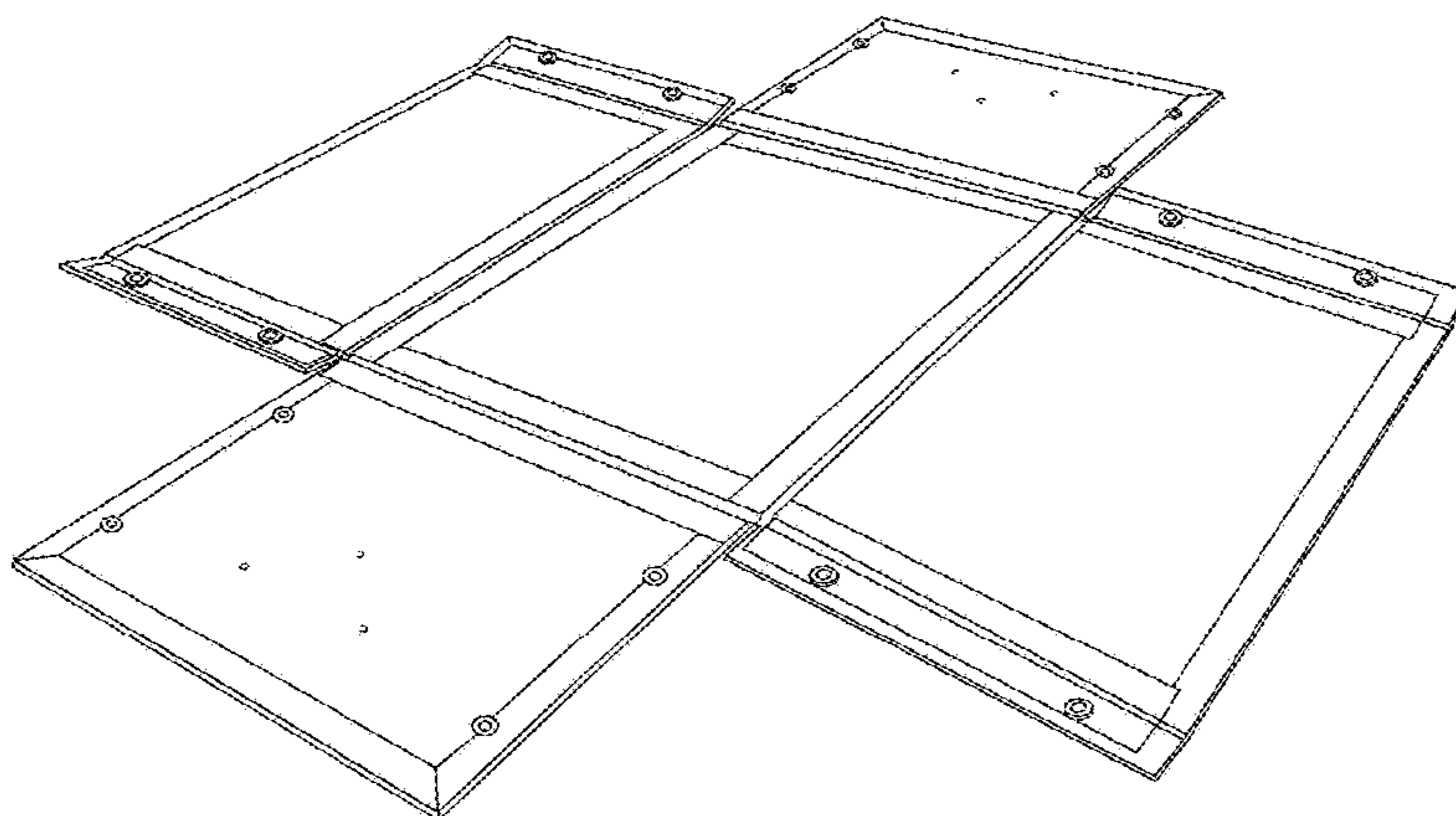
(57) **CLAIM**

The ornamental design for a foldable snap box, as shown and described.

DESCRIPTION

FIG. 1 is a front perspective view of a foldable snap box of the present application in a fully unfolded configuration, shown separately without a lid to show aspects of the design that may not be apparent in the other views;
FIG. 2 is a front perspective view of the foldable snap box of FIG. 1 in a partially folded configuration, shown separately without a lid to show aspects of the design that may not be apparent in the other views;
FIG. 3 is a front perspective view of the foldable snap box of FIG. 1 in an assembled configuration with the lid of the box in an open position;
FIG. 4 is a front perspective view of the snap box of FIG. 1 in a fully assembled configuration, with the lid of the box in a closed position;
FIG. 5 is a top plan view thereof;
FIG. 6 is a front elevation view thereof;
FIG. 7 is a side elevation view thereof;
FIG. 8 is a back elevation view thereof;
FIG. 9 is an opposite side elevation view thereof; and,
FIG. 10 is a bottom plan view thereof.
The dashed lines in the drawings depict portions of the foldable snap box that form no part of the claimed design.

1 Claim, 6 Drawing Sheets



(56)

References Cited

U.S. PATENT DOCUMENTS

D518,637	S *	4/2006	DeCarlo	D3/283
D518,957	S *	4/2006	DeCarlo	D3/302
D528,604	S *	9/2006	Decarlo	D19/85
D563,692	S *	3/2008	DeCarlo	D6/663
D586,123	S *	2/2009	Lowrey	D3/273
D590,248	S *	4/2009	Mu	D9/415
D596,399	S *	7/2009	Decarlo	D3/291
D680,746	S *	4/2013	Schmidt	D3/304
D721,890	S *	2/2015	Heil	D3/272
2004/0262307	A1 *	12/2004	DeCarlo	B65D 5/30 220/6
2006/0231602	A1 *	10/2006	Mu	B65D 5/302 229/125.015
2018/0127139	A1 *	5/2018	Perella	B65D 5/4283
2018/0222625	A1 *	8/2018	Perella	B65D 5/4283

* cited by examiner

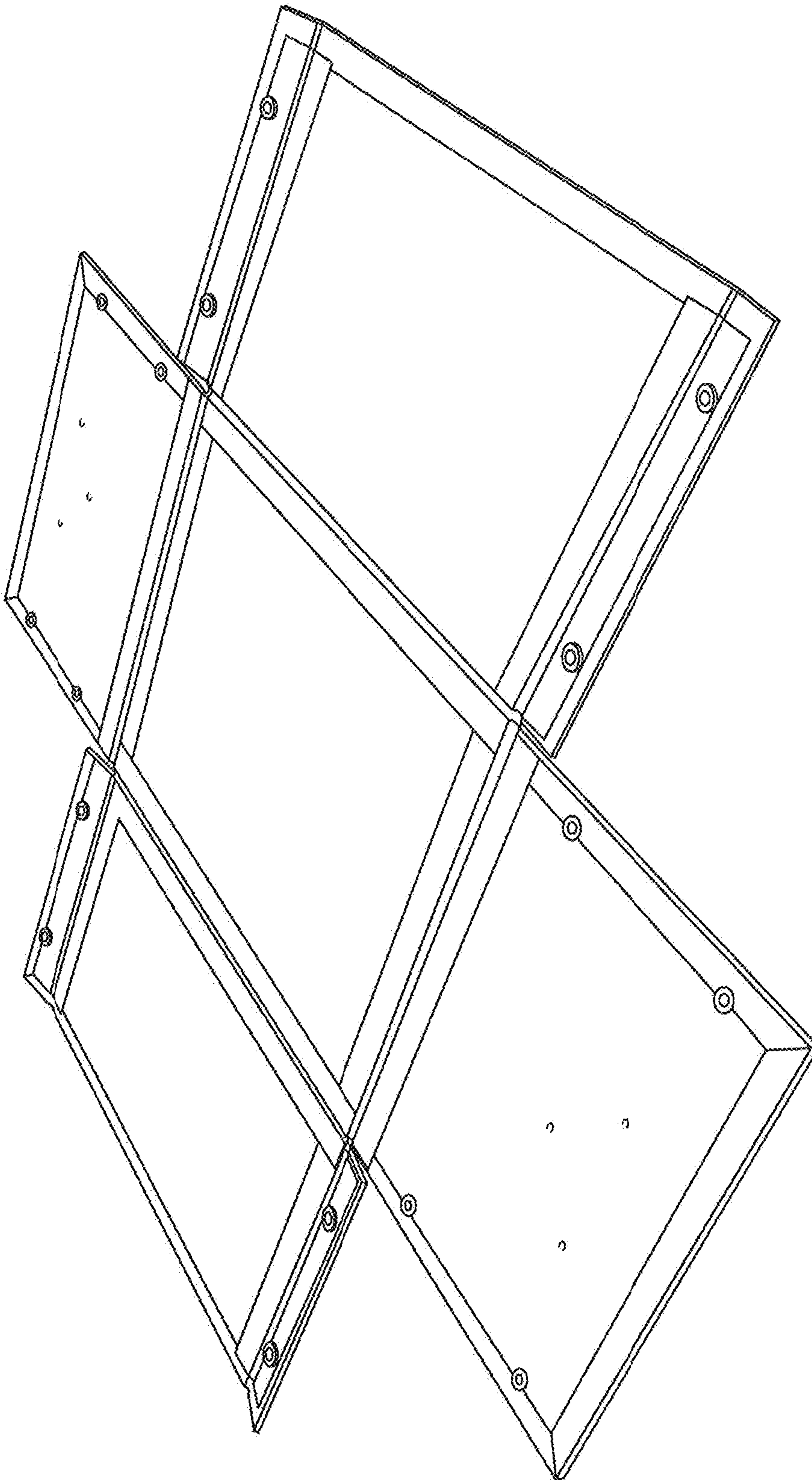


FIG. 1

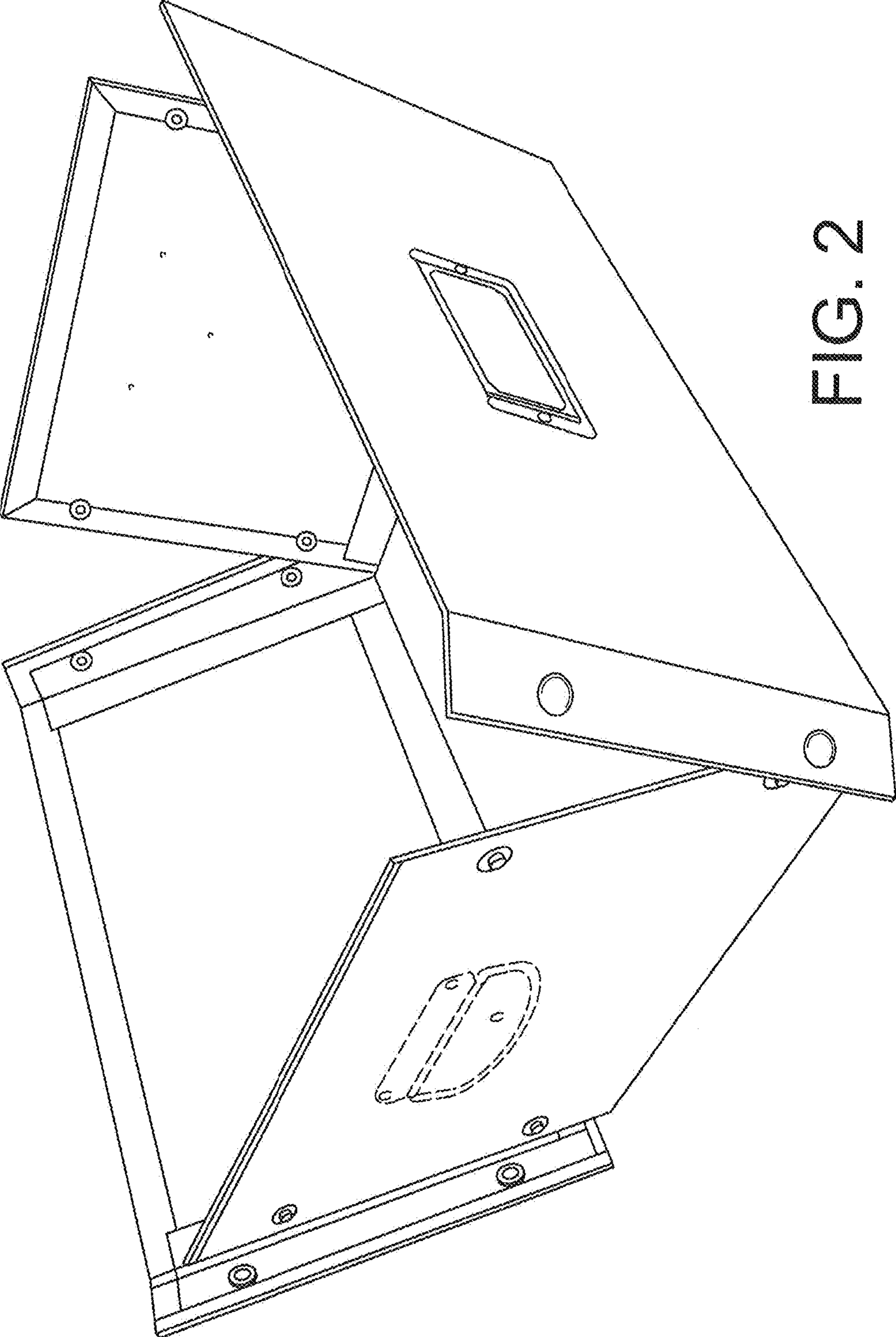


FIG. 2

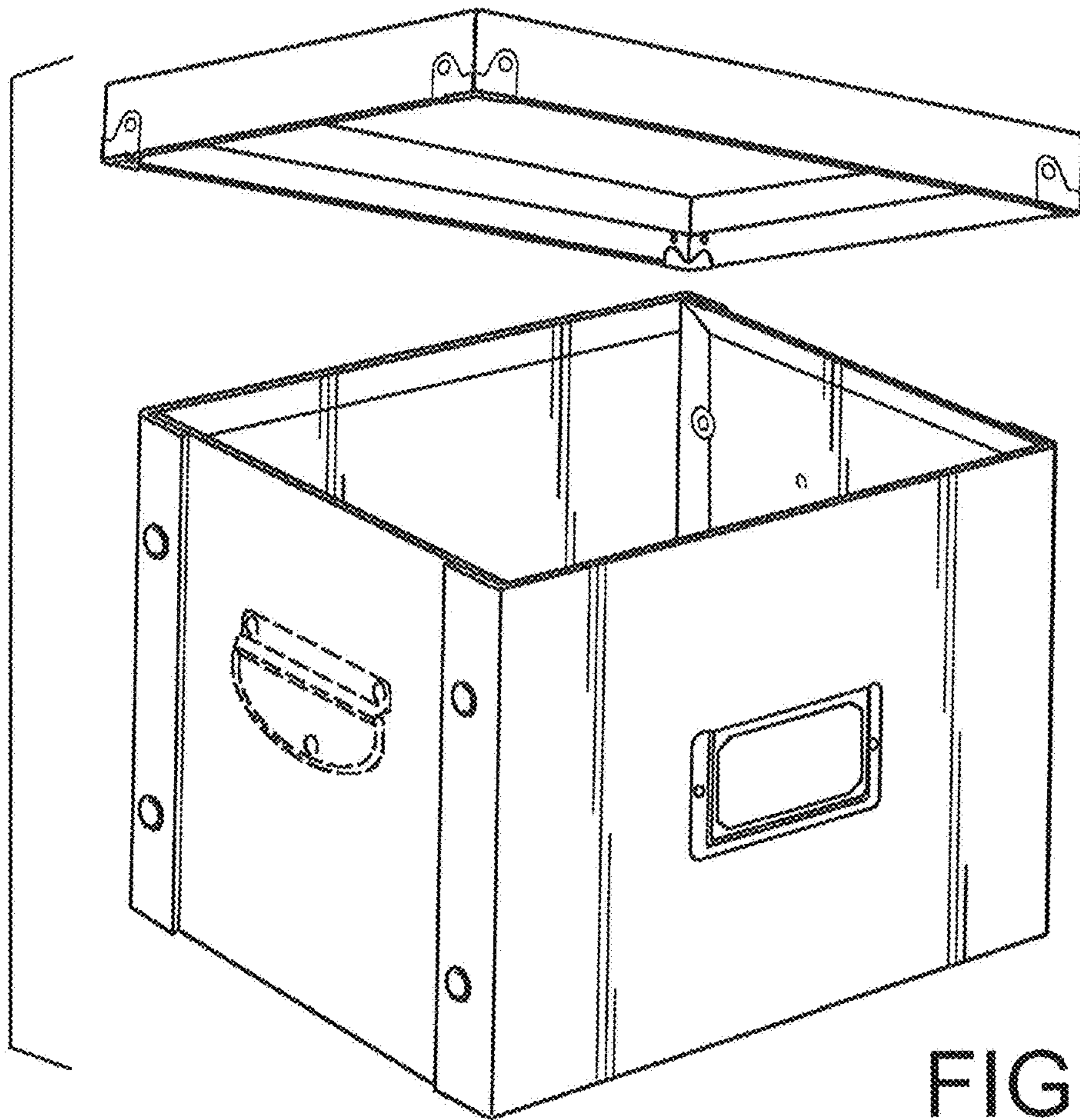


FIG. 3

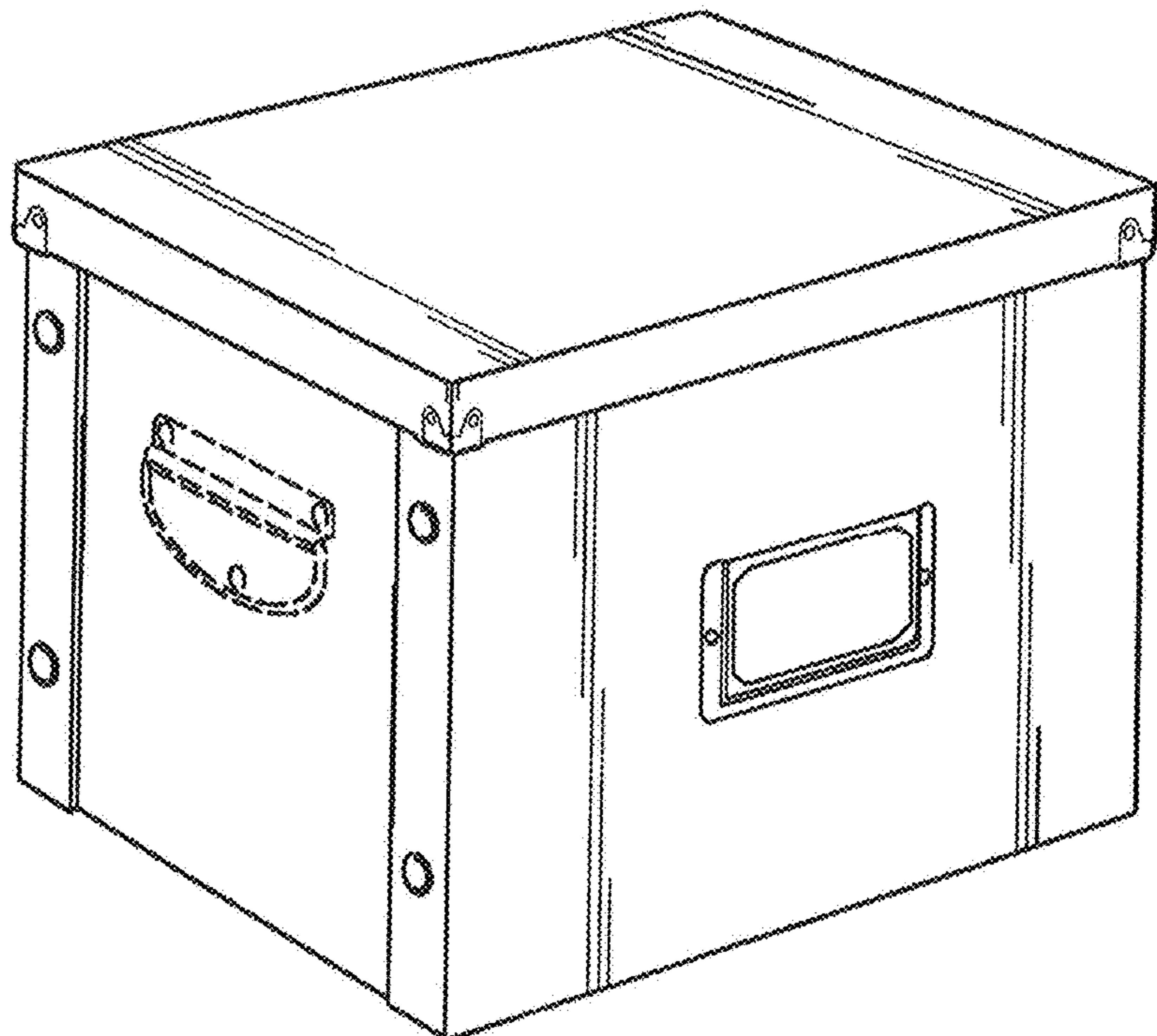


FIG. 4

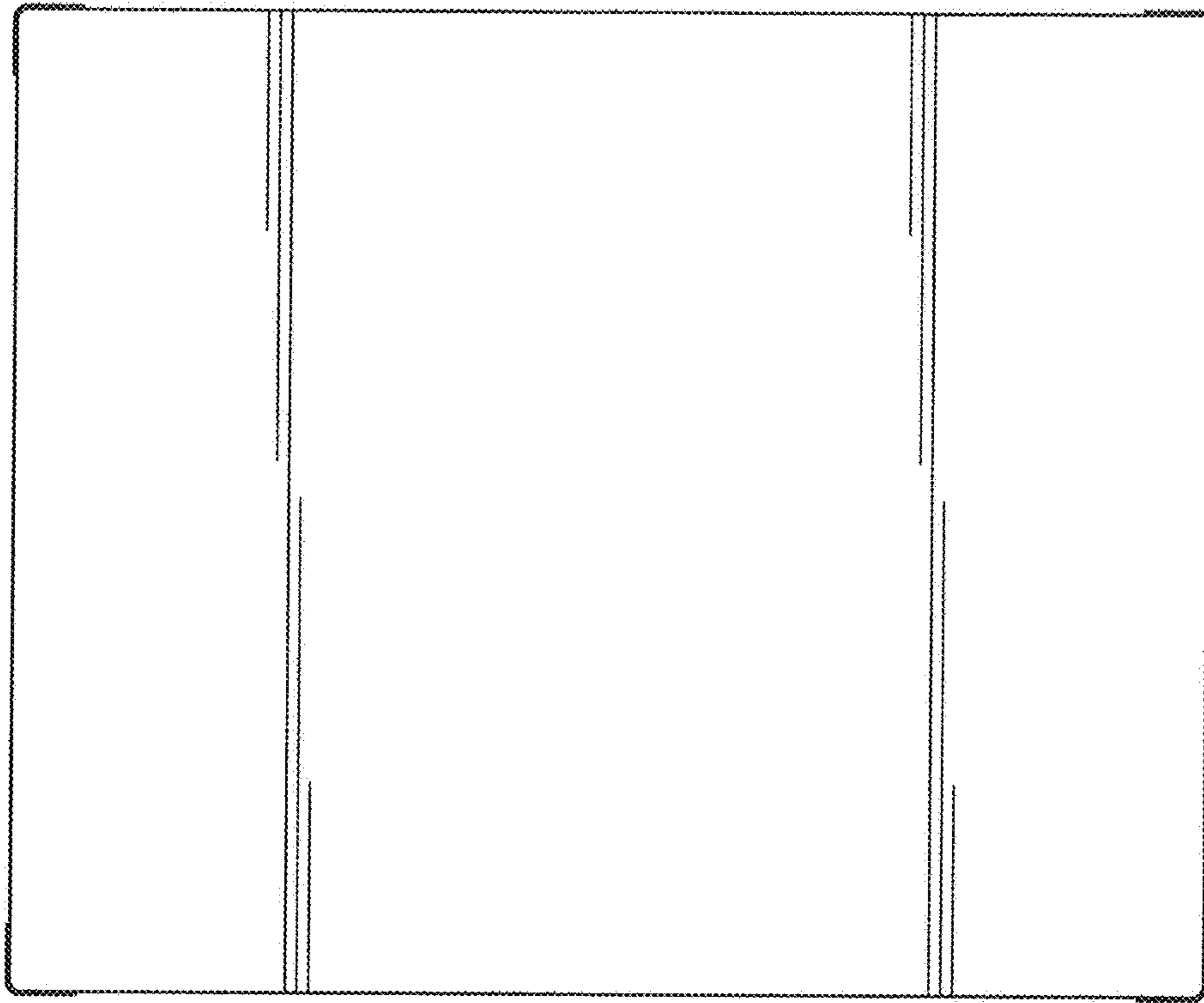


FIG. 5

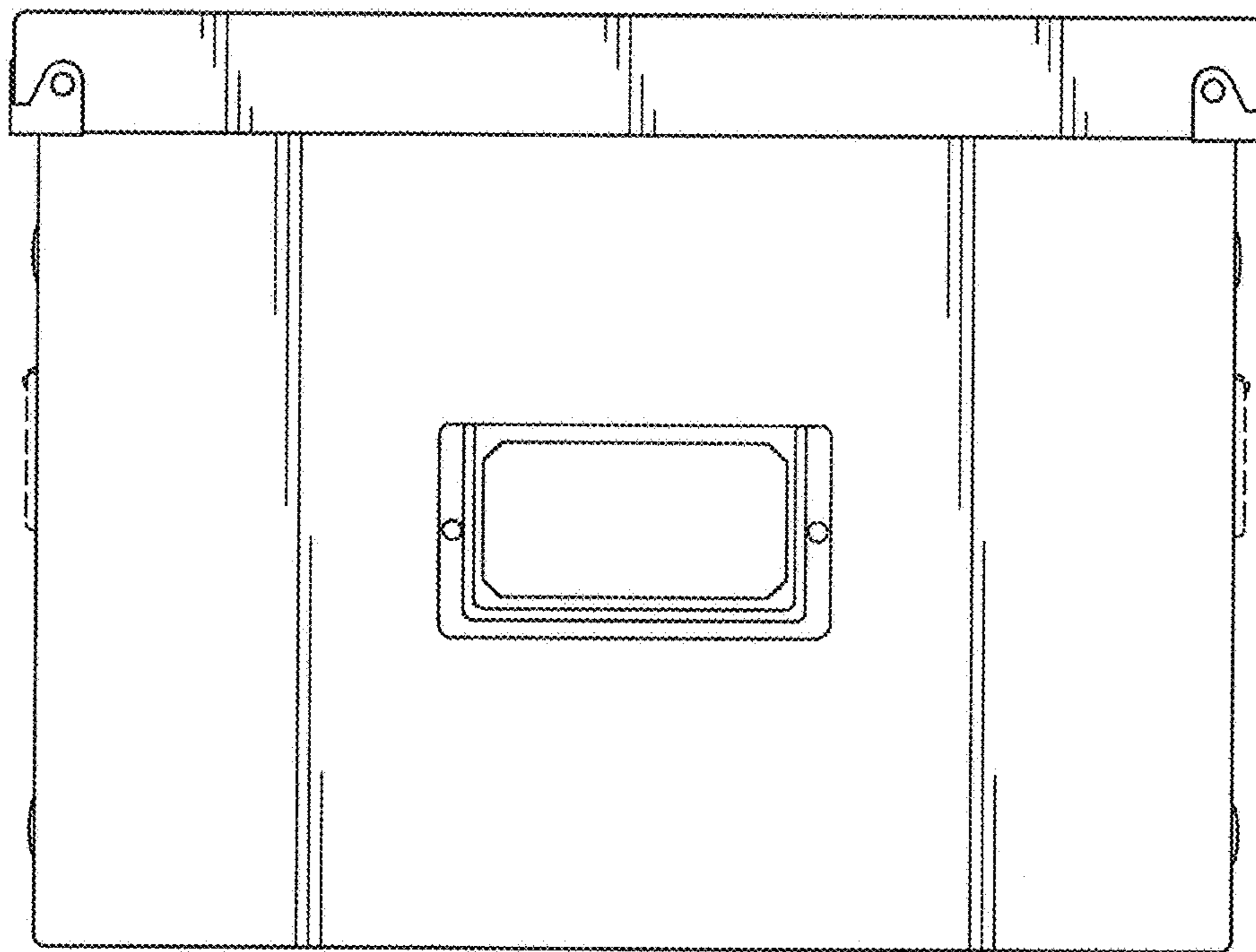


FIG. 6

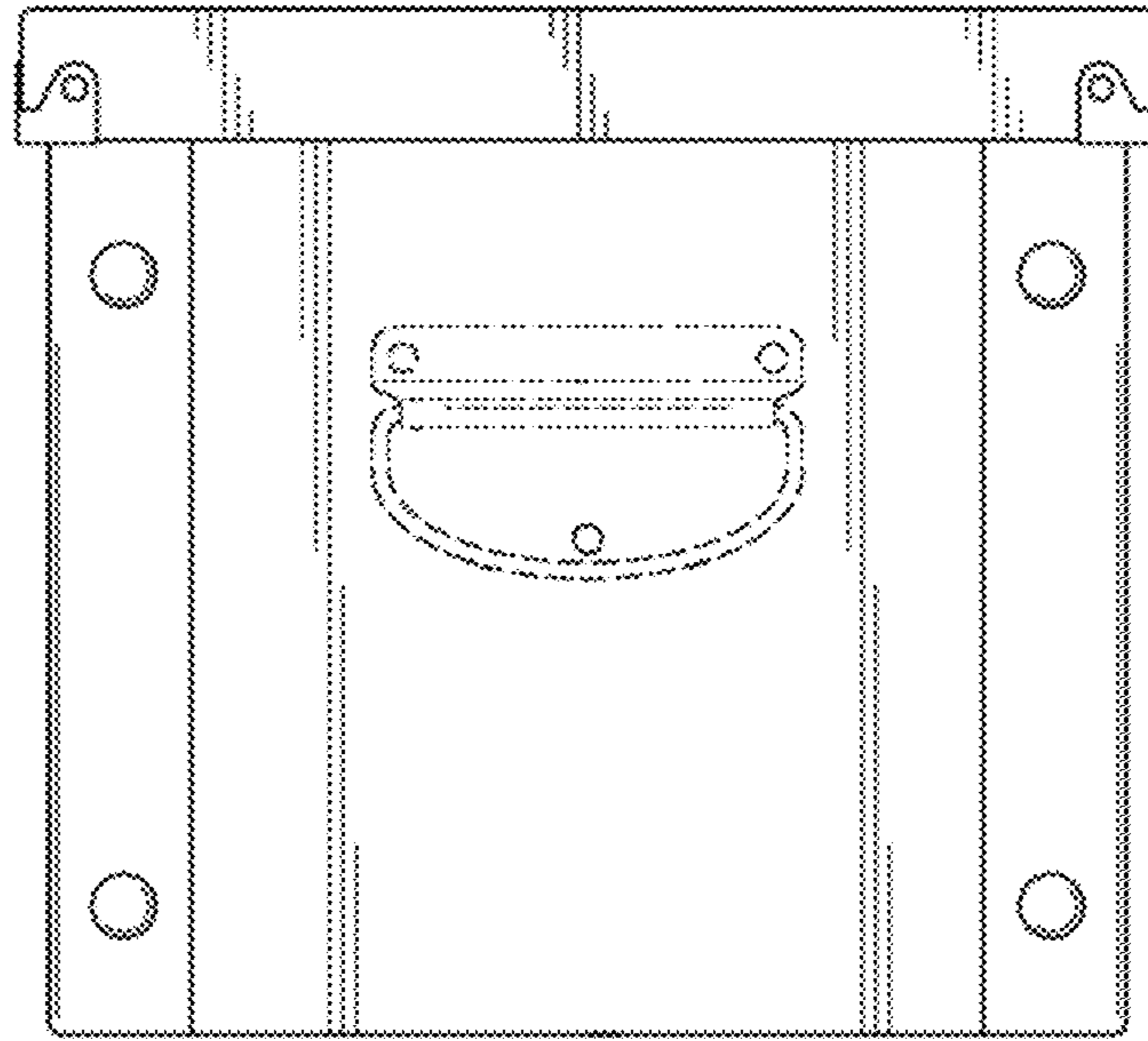


FIG. 7

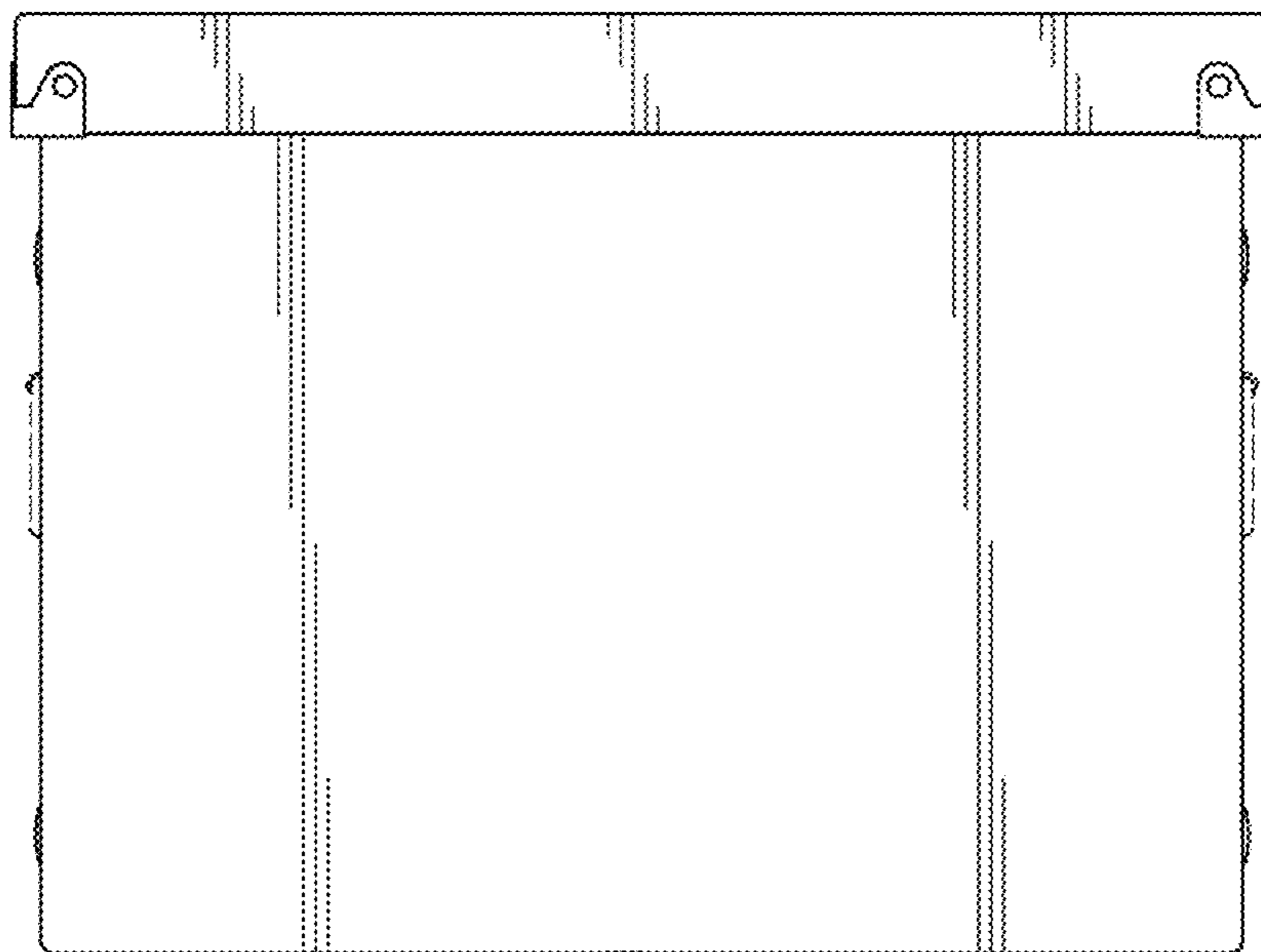


FIG. 8

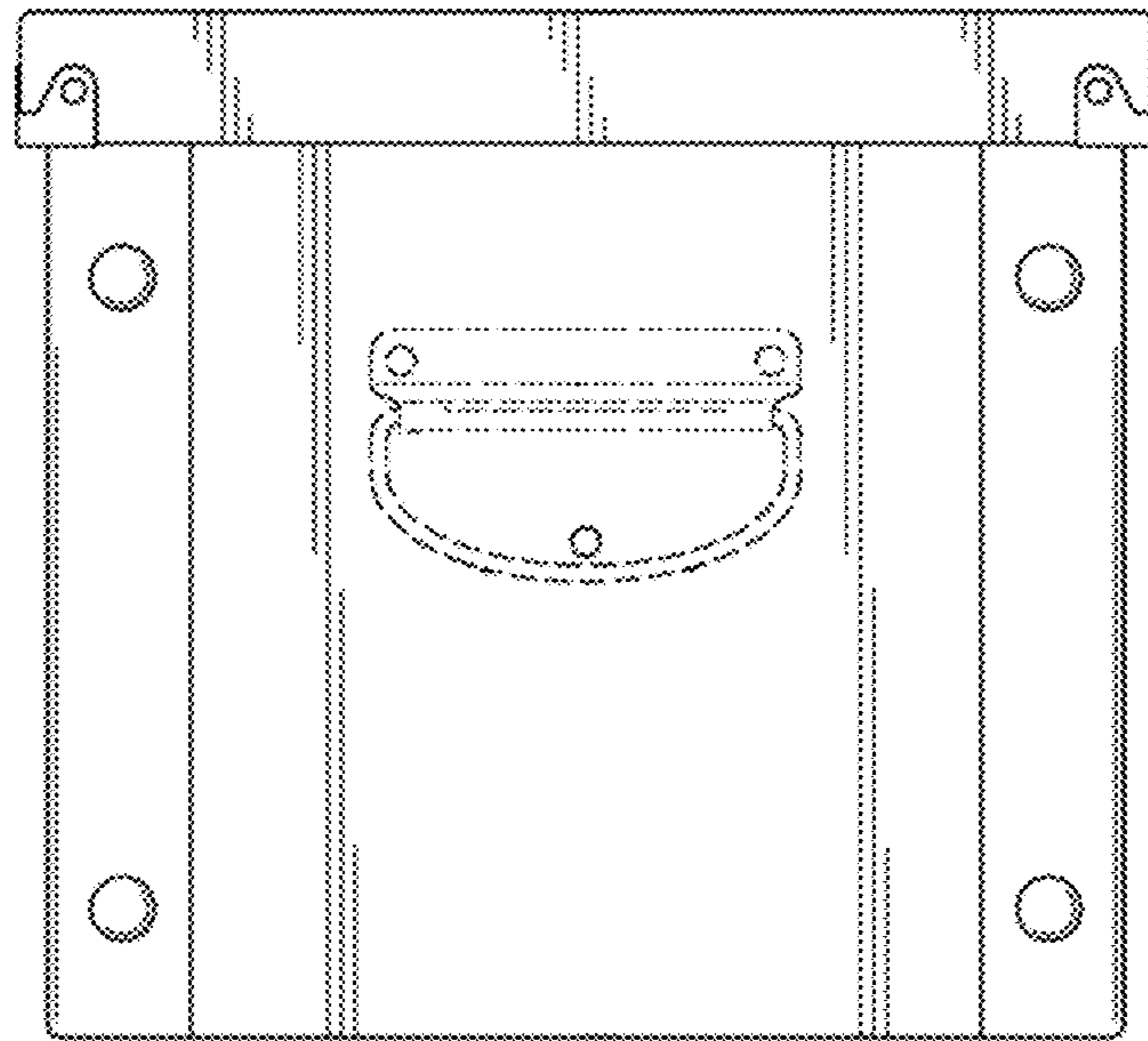


FIG. 9

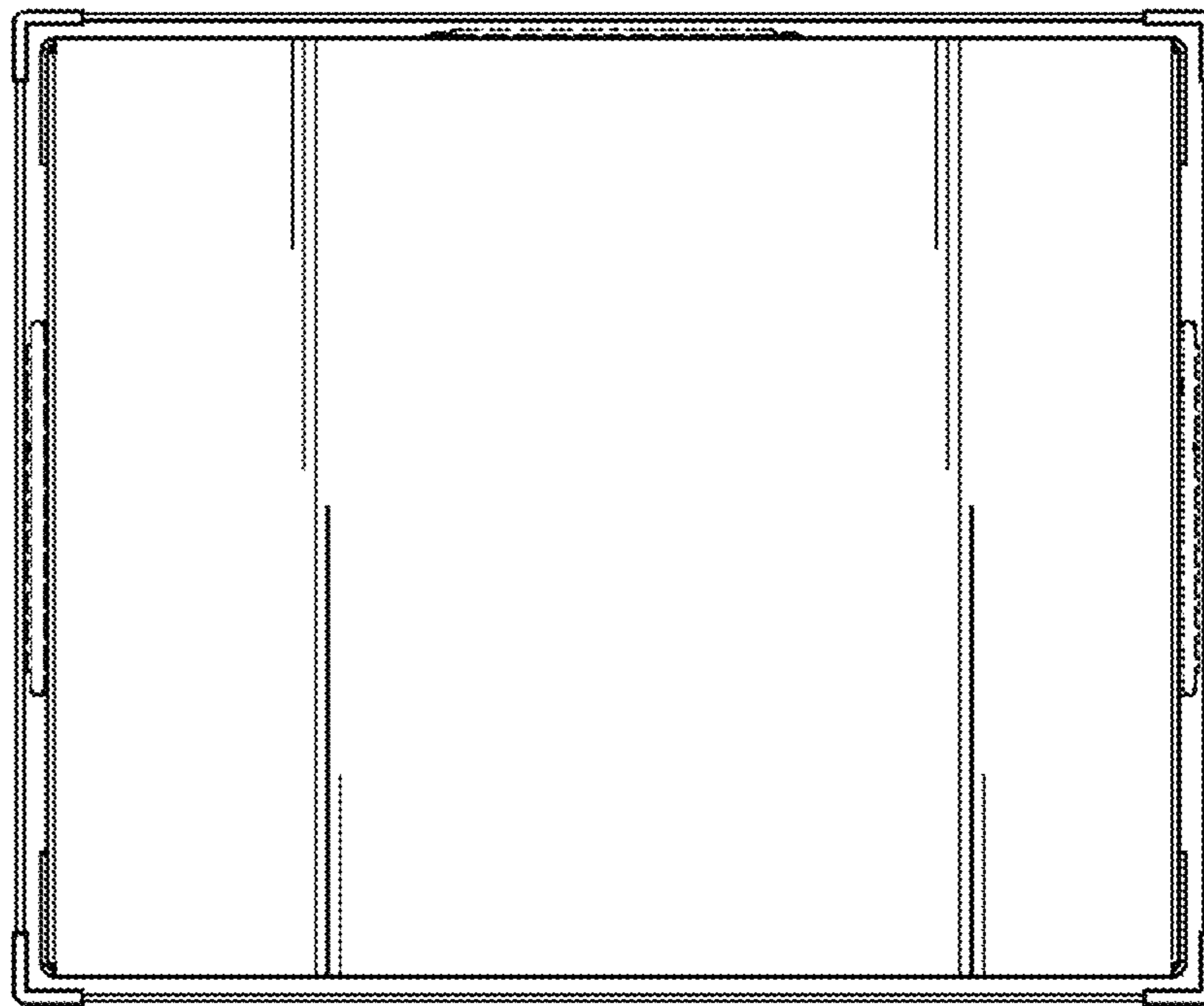


FIG. 10